

US00D866003S

(12) **United States Design Patent** (10) **Patent No.:** **US D866,003 S**
Webber (45) **Date of Patent:** **** Nov. 5, 2019**

(54) **SPLASH BLOCK**

(71) Applicant: **Valley View Industries**, Crestwood, IL (US)

(72) Inventor: **Bruce Webber**, Wheaton, IL (US)

(73) Assignee: **Valley View Industries**, Crestwood, IL (US)

(**) Term: **15 Years**

(21) Appl. No.: **29/648,705**

(22) Filed: **May 23, 2018**

(51) **LOC (12) Cl.** **25-01**

(52) **U.S. Cl.**
USPC **D25/112**

(58) **Field of Classification Search**
USPC D21/484-491, 499-504; D25/112-118
CPC .. E01C 11/227; E03F 1/002; Y10T 137/5762;
E04D 13/08; E04D 2013/0813
See application file for complete search history.

(56) **References Cited**

U.S. PATENT DOCUMENTS

D156,812 S *	1/1950	Buchanan	D25/112
D171,737 S *	3/1954	Torricelli	D25/112
D181,753 S *	12/1957	Scanland	D12/316
3,636,830 A *	1/1972	Watts	E04D 13/08 404/2
D230,478 S *	2/1974	Littman	D25/112
4,345,853 A *	8/1982	Fisher	E04D 13/08 405/119
4,693,633 A *	9/1987	Giordano	E04D 13/08 405/119

D381,757 S *	7/1997	Azar	D25/112
D570,499 S *	6/2008	Vogler	D25/112
D662,223 S *	6/2012	Fuller	D25/112
D833,036 S *	11/2018	Elliott	D25/112
2009/0003933 A1 *	1/2009	Anderson	E01C 11/227 405/119

OTHER PUBLICATIONS

Dalen Products Rubber Splash Block <https://www.walmart.com/ip/Dalen-Products-Rubber-Splash-Block/19545973> Jul. 12, 2014 (Year: 2014).*

* cited by examiner

Primary Examiner — Leanne Was-Englehart
(74) *Attorney, Agent, or Firm* — Cook Alex Ltd.; R. Blake Johnston

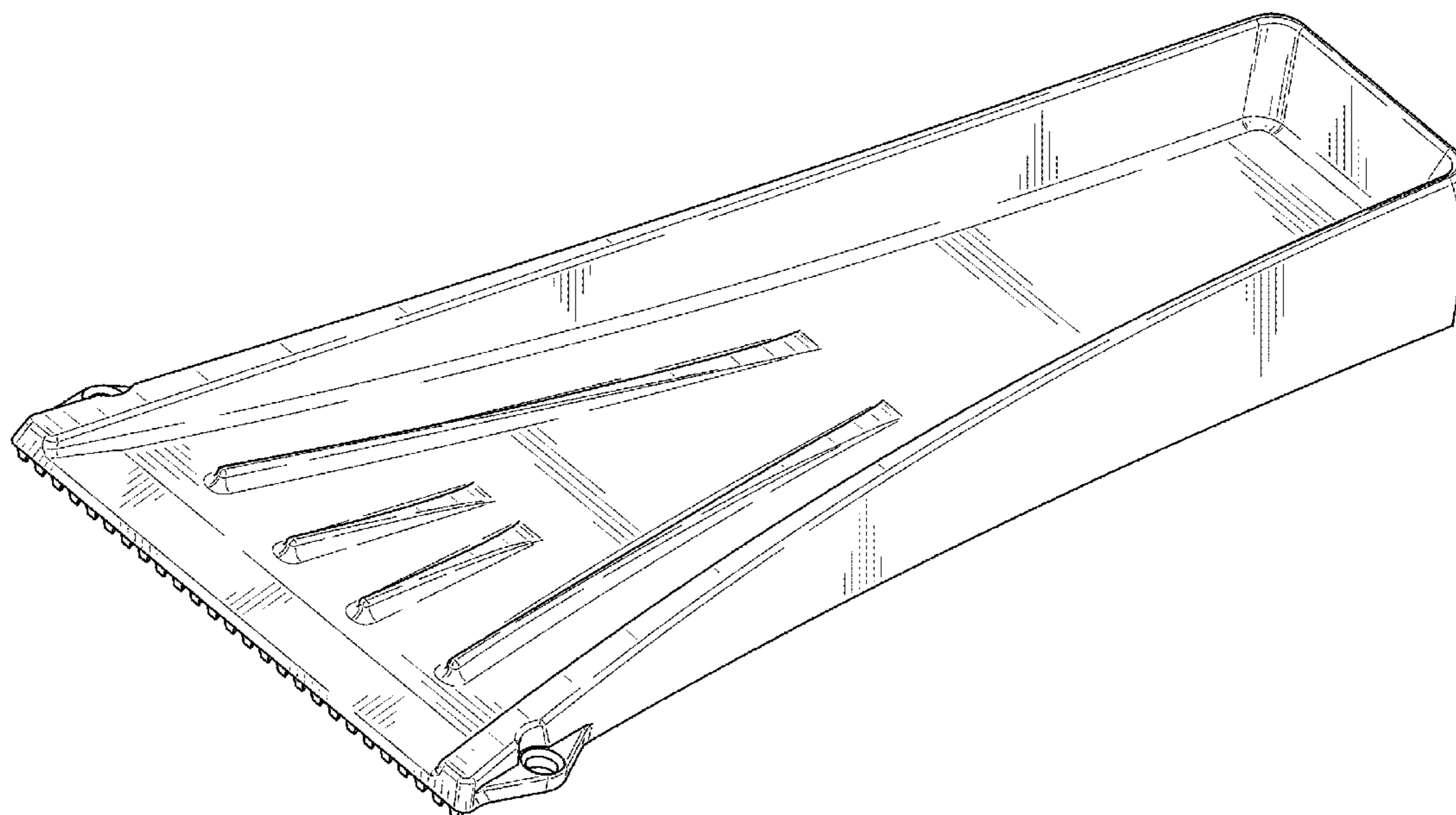
(57) **CLAIM**

The ornamental design for splash block, as shown and described.

DESCRIPTION

FIG. 1 is a top plan view of the splash block;
FIG. 2 is a bottom plan view of the splash block;
FIG. 3 is a front elevational view of the splash block;
FIG. 4 is a rear elevational view of the splash block;
FIG. 5 is a left side elevational view of the splash block, the opposite side of which is a mirror image;
FIG. 6 is a left side elevational cross sectional view of the splash block taken along line 6-6 in FIG. 1;
FIG. 7 is a top front perspective view of the splash block; and,
FIG. 8 is a bottom rear perspective view of the splash block.

1 Claim, 6 Drawing Sheets



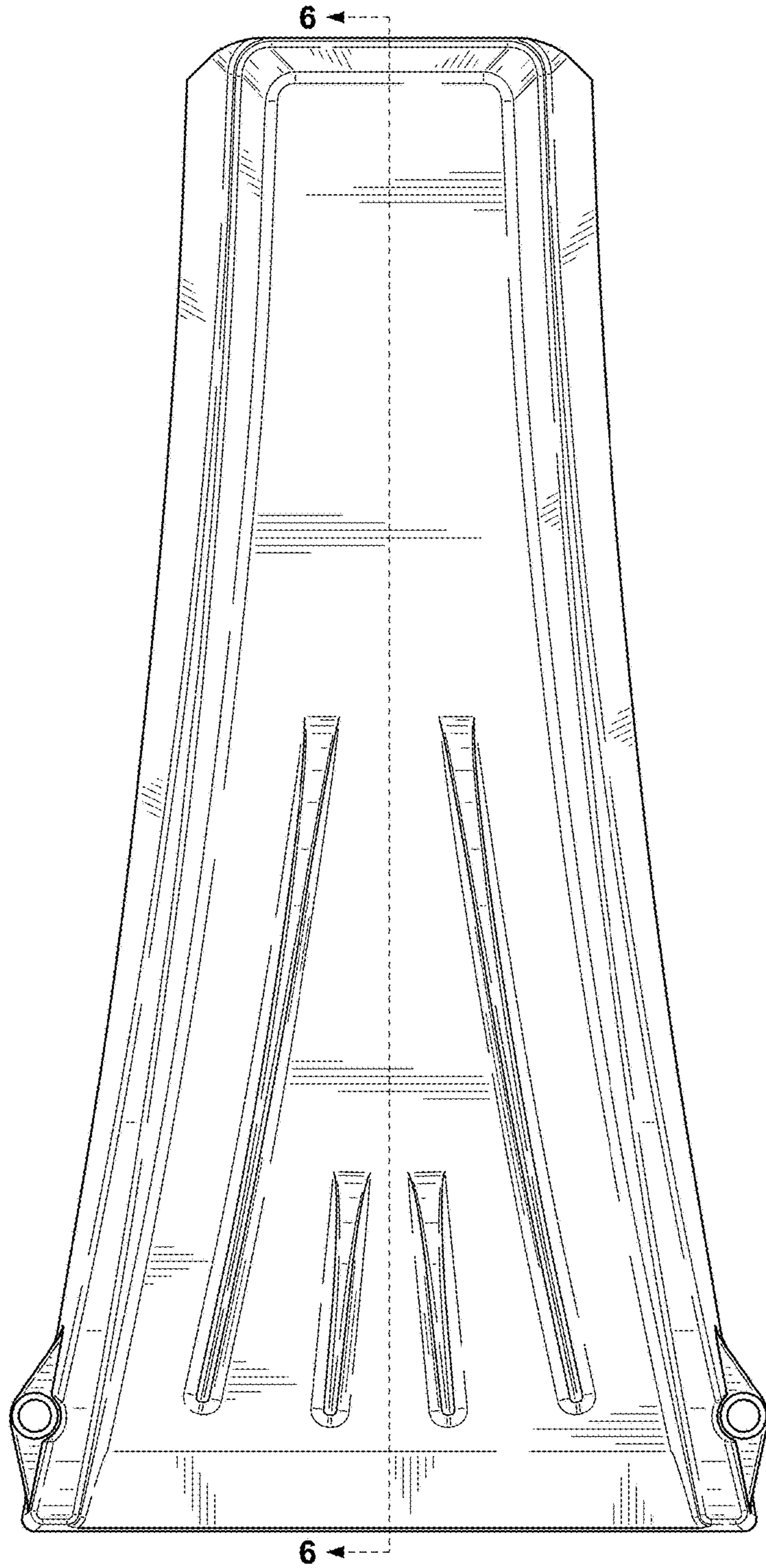


FIG. 1

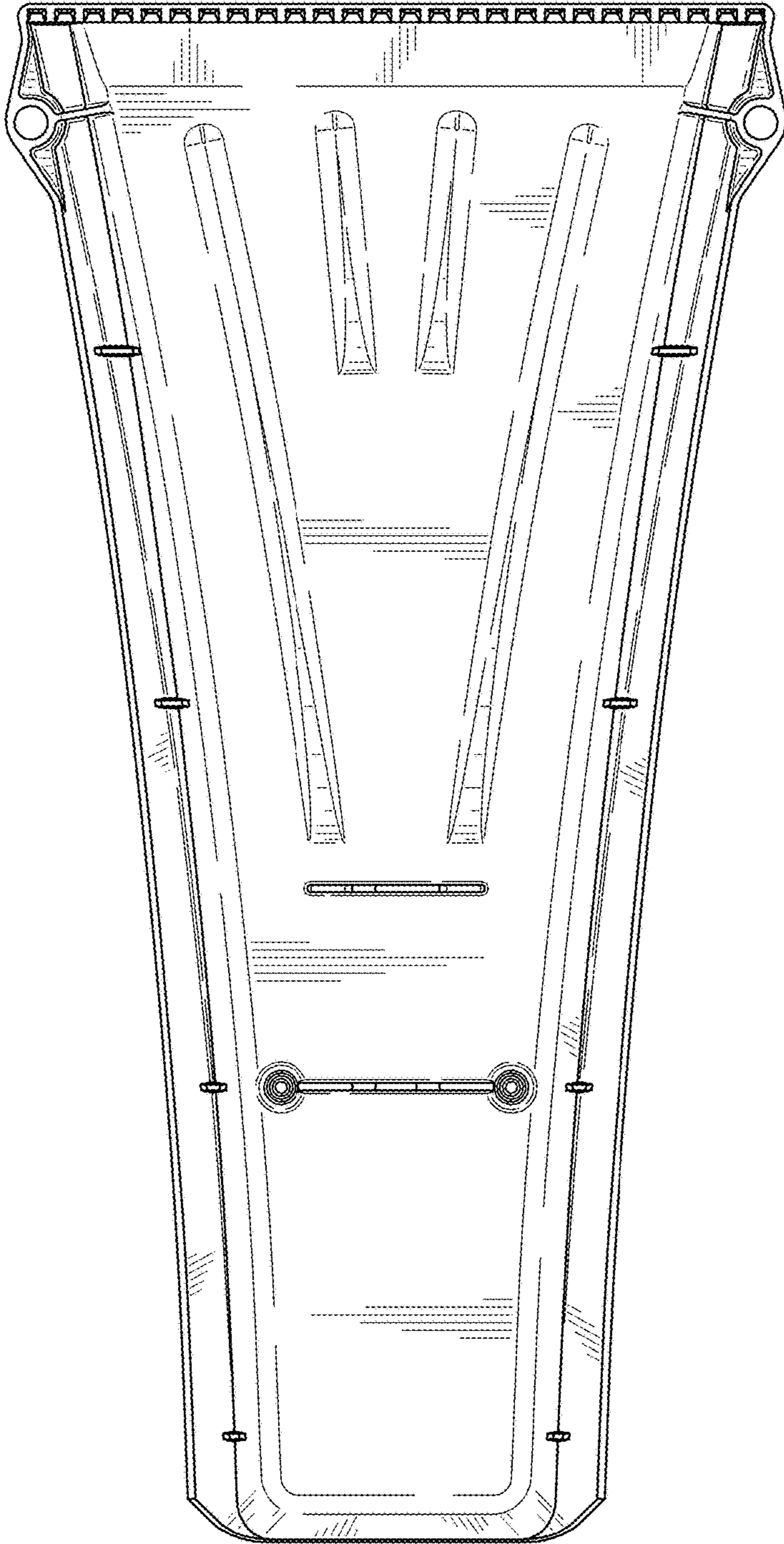


FIG. 2

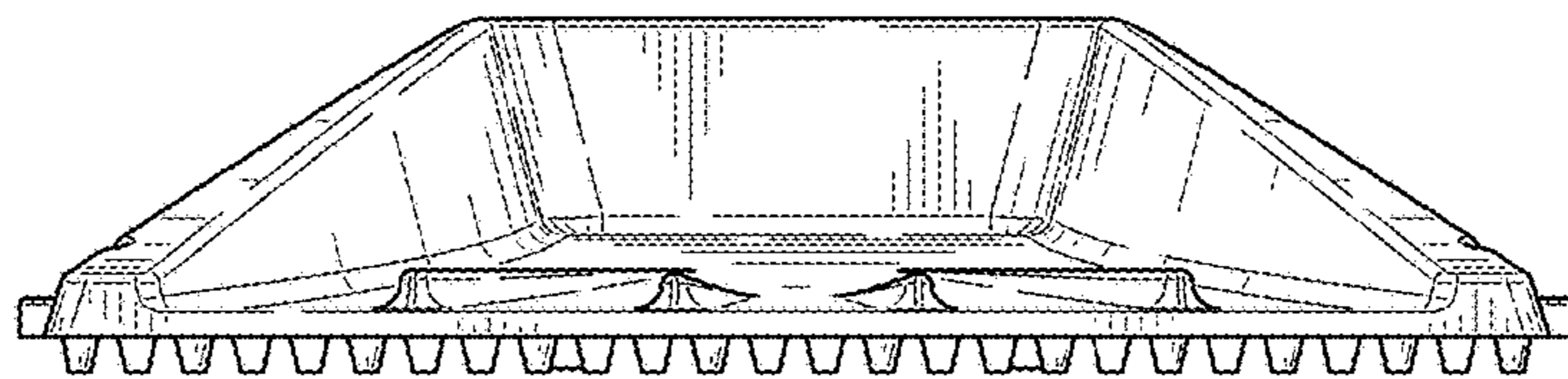


FIG. 3

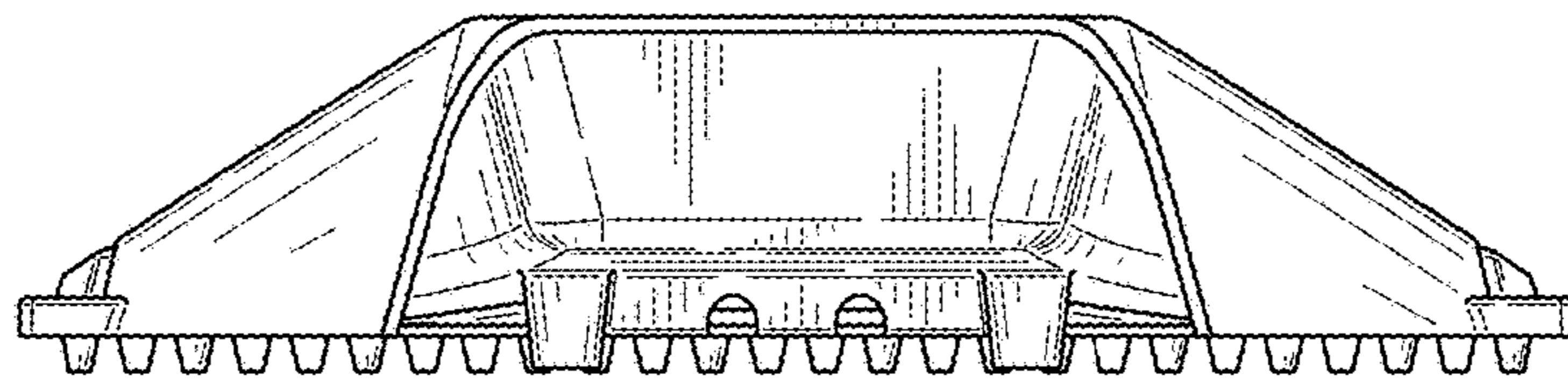


FIG. 4

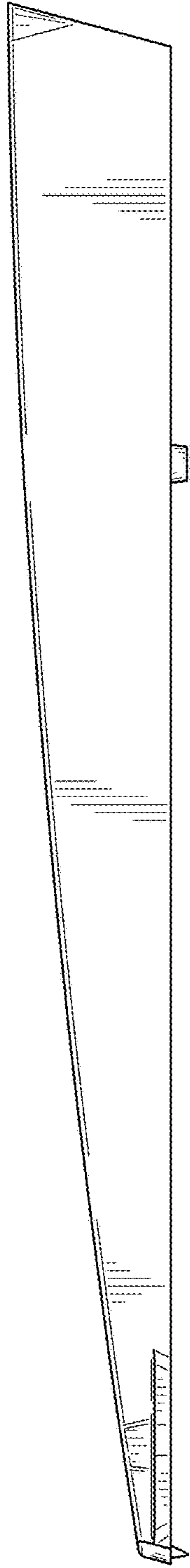


FIG. 5

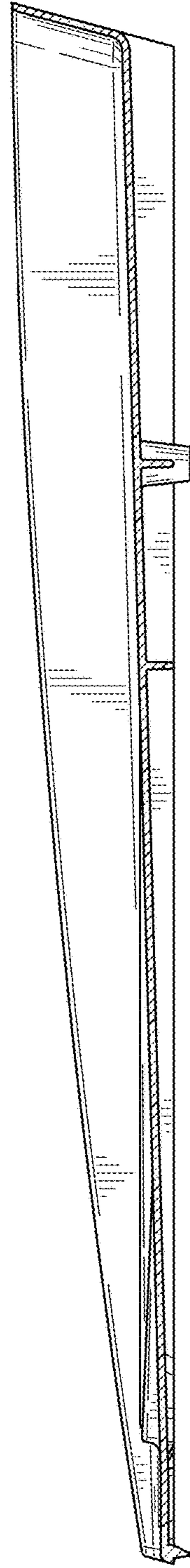


FIG. 6

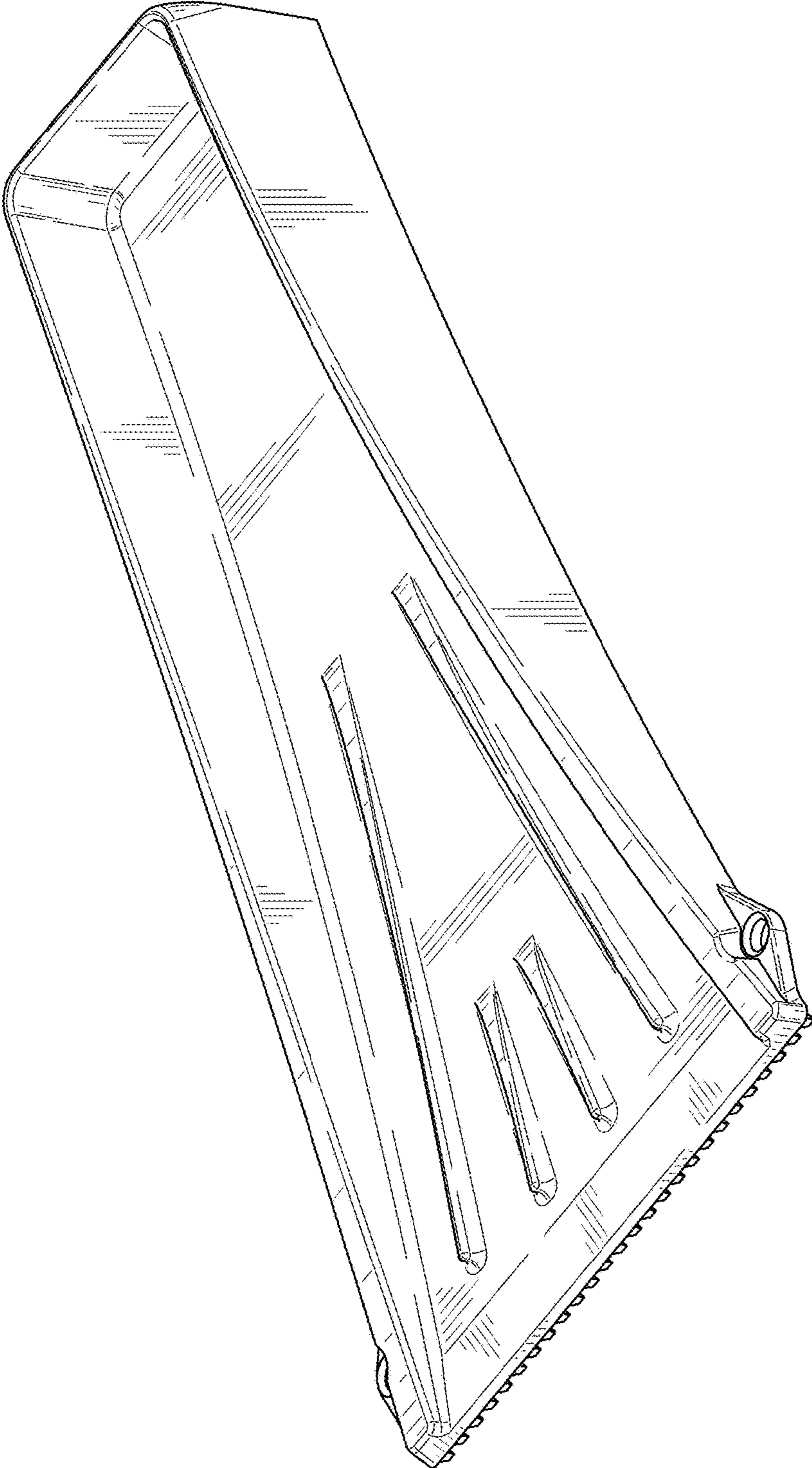


FIG. 7

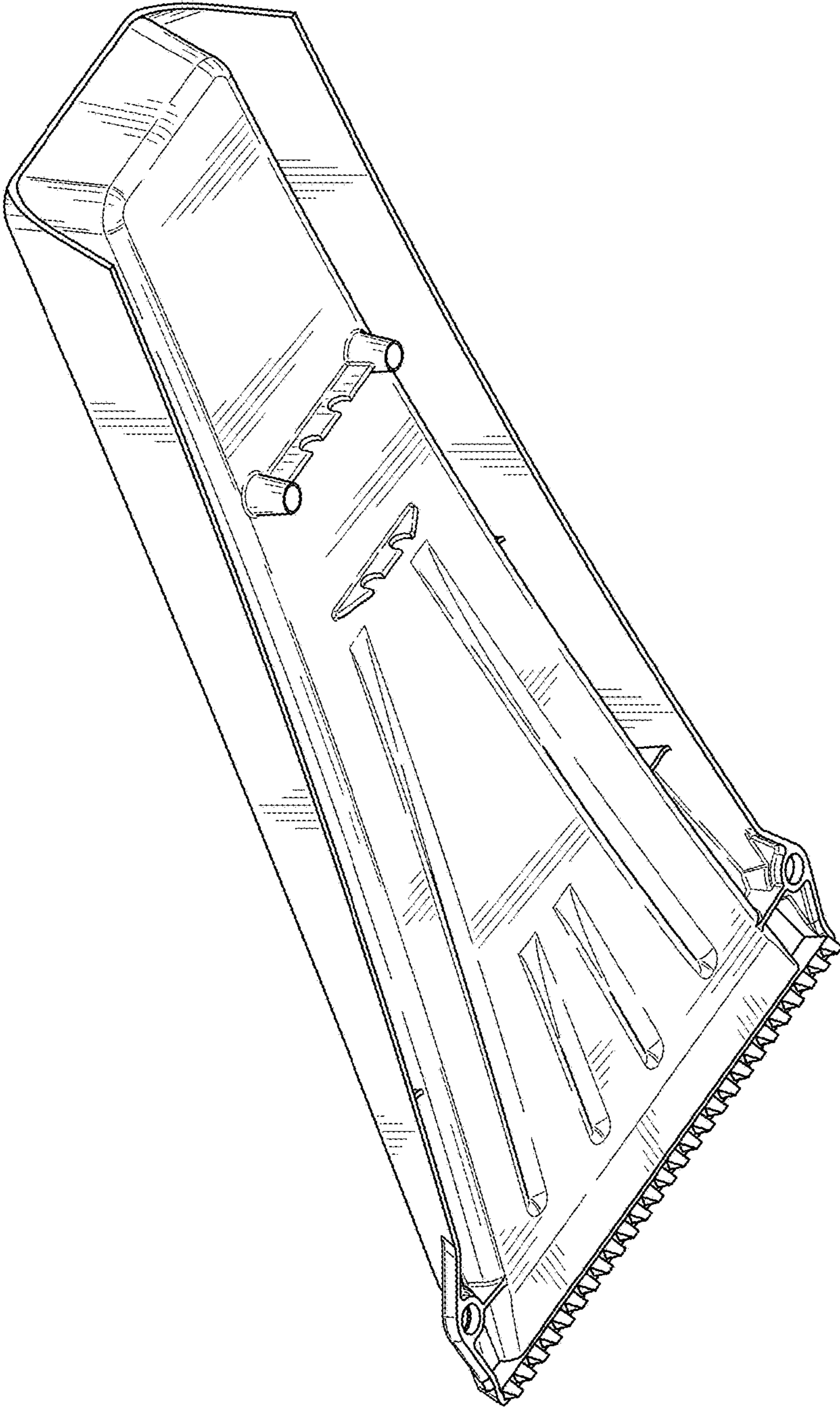


FIG. 8