

US00D865999S

(12) **United States Design Patent**
Wagemans et al.

(10) **Patent No.:** **US D865,999 S**

(45) **Date of Patent:** **** Nov. 5, 2019**

(54) **HOTEL ROOM**

3,593,469 A * 7/1971 Wall E04B 1/34869
52/79.1

(71) Applicant: **citizenM IP HOLDING B.V.**,
Voorschoten (NL)

D561,910 S * 2/2008 Wagemans D25/35

D641,494 S * 7/2011 Wagemans D25/1

D700,356 S * 2/2014 Svensson D25/32

D752,241 S * 3/2016 Page D25/1

D814,656 S * 4/2018 Tay D25/16

(72) Inventors: **Rob Wagemans**, Amsterdam (NL);
Maarten De Geus, Amsterdam (NL)

2006/0277838 A1 * 12/2006 Travez E04F 13/081

52/79.1

(73) Assignee: **CITIZENM IP HOLDING B.V.**,
Voorschoten (NL)

2008/0282630 A1 * 11/2008 Fukui E04H 3/02

52/234

2011/0023381 A1 * 2/2011 Weber E04B 1/3431

52/79.5

(**) Term: **15 Years**

* cited by examiner

(21) Appl. No.: **29/618,793**

(22) Filed: **Sep. 25, 2017**

Primary Examiner — Brett Miller

(74) *Attorney, Agent, or Firm* — Porzio Bromberg &
Newman P.C.

(30) **Foreign Application Priority Data**

Jun. 21, 2017 (EM) 004060135-0001

(51) **LOC (12) Cl.** **25-03**

(52) **U.S. Cl.**

USPC **D25/1**

(58) **Field of Classification Search**

USPC D25/1, 3-35, 55-59, 61; 52/79.1-79.9;
D6/673, 382-384; D23/271, 273, 274

CPC E04H 1/00-1277; E04H 1/14; E04H
3/00-04; E04H 2001/1283-1294; E04B
1/34823; E04B 1/3483; E04B 1/3444;
E04B 1/3431; E04B 1/343; E04B
1/34869; B61D 1/08

See application file for complete search history.

(56) **References Cited**

U.S. PATENT DOCUMENTS

2,622,544 A * 12/1952 Watter B61D 31/00
105/315

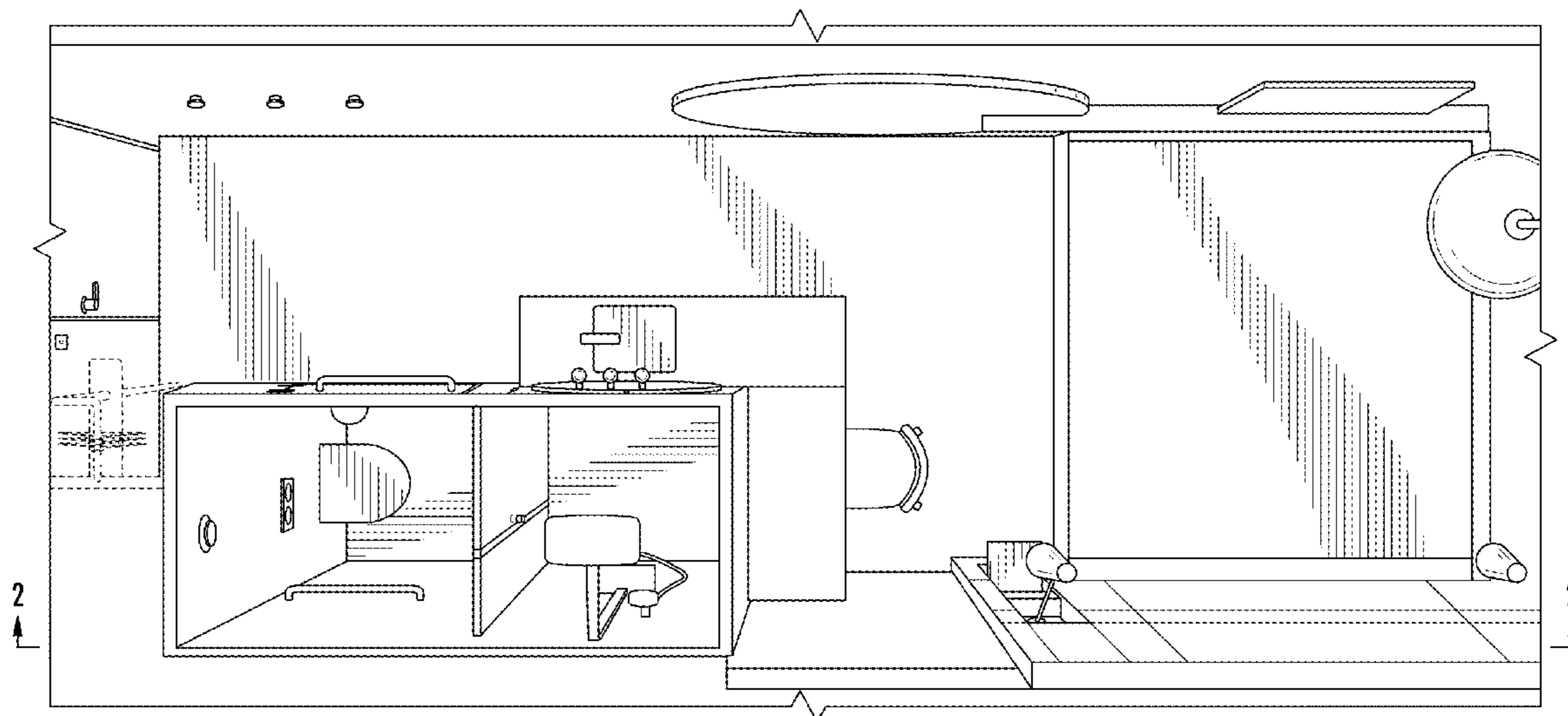
(57) **CLAIM**

We claim, the ornamental design for a hotel room, as shown
and described.

DESCRIPTION

FIG. 1 is a front view, showing our new design;
FIG. 2 is a rear view thereof;
FIG. 3 is a top view of FIG. 2; and,
FIG. 4 is an end view thereof.
The broken lines shown in the figures form no part of the
claimed design.

1 Claim, 4 Drawing Sheets



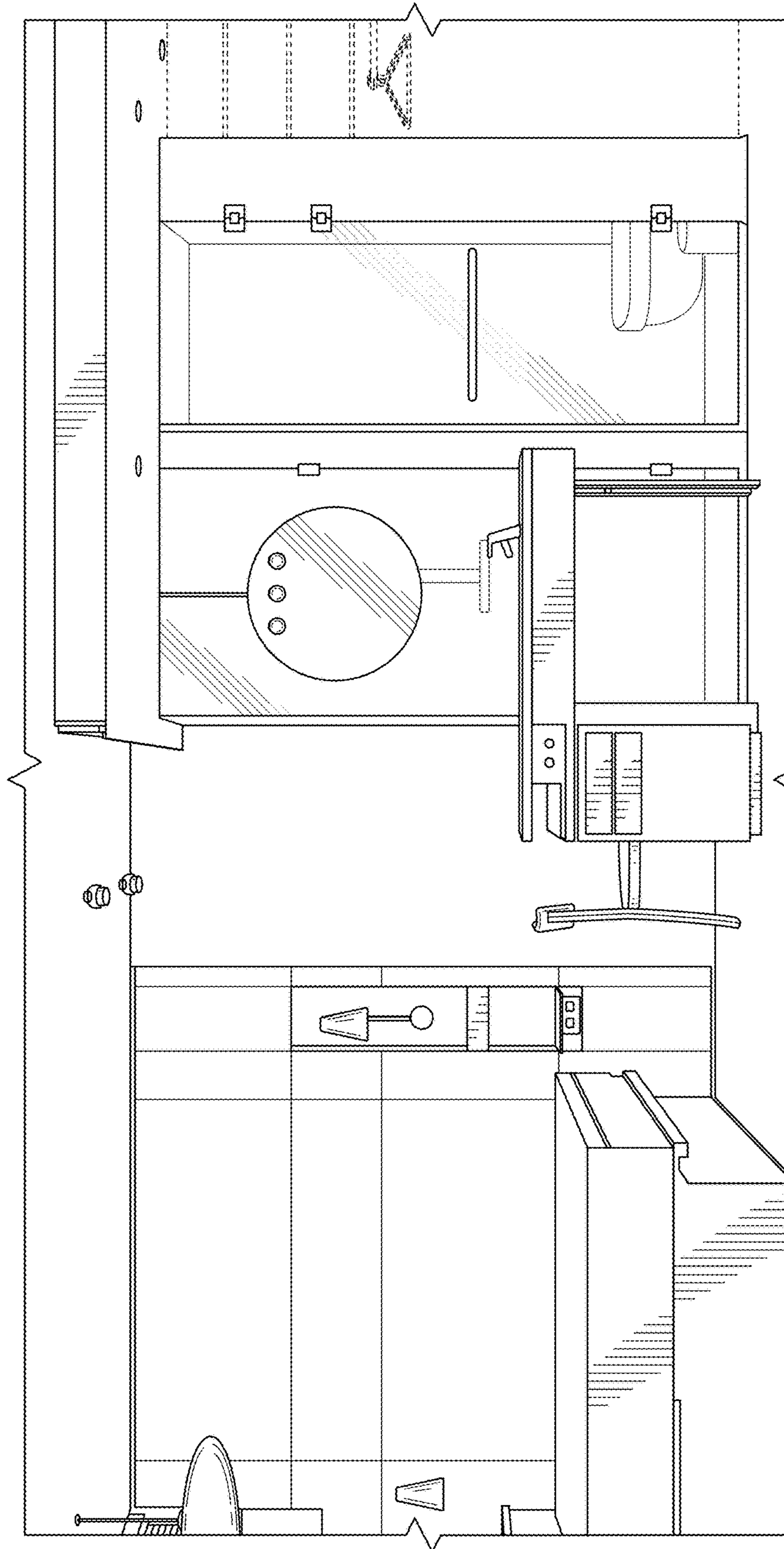


FIG. 1

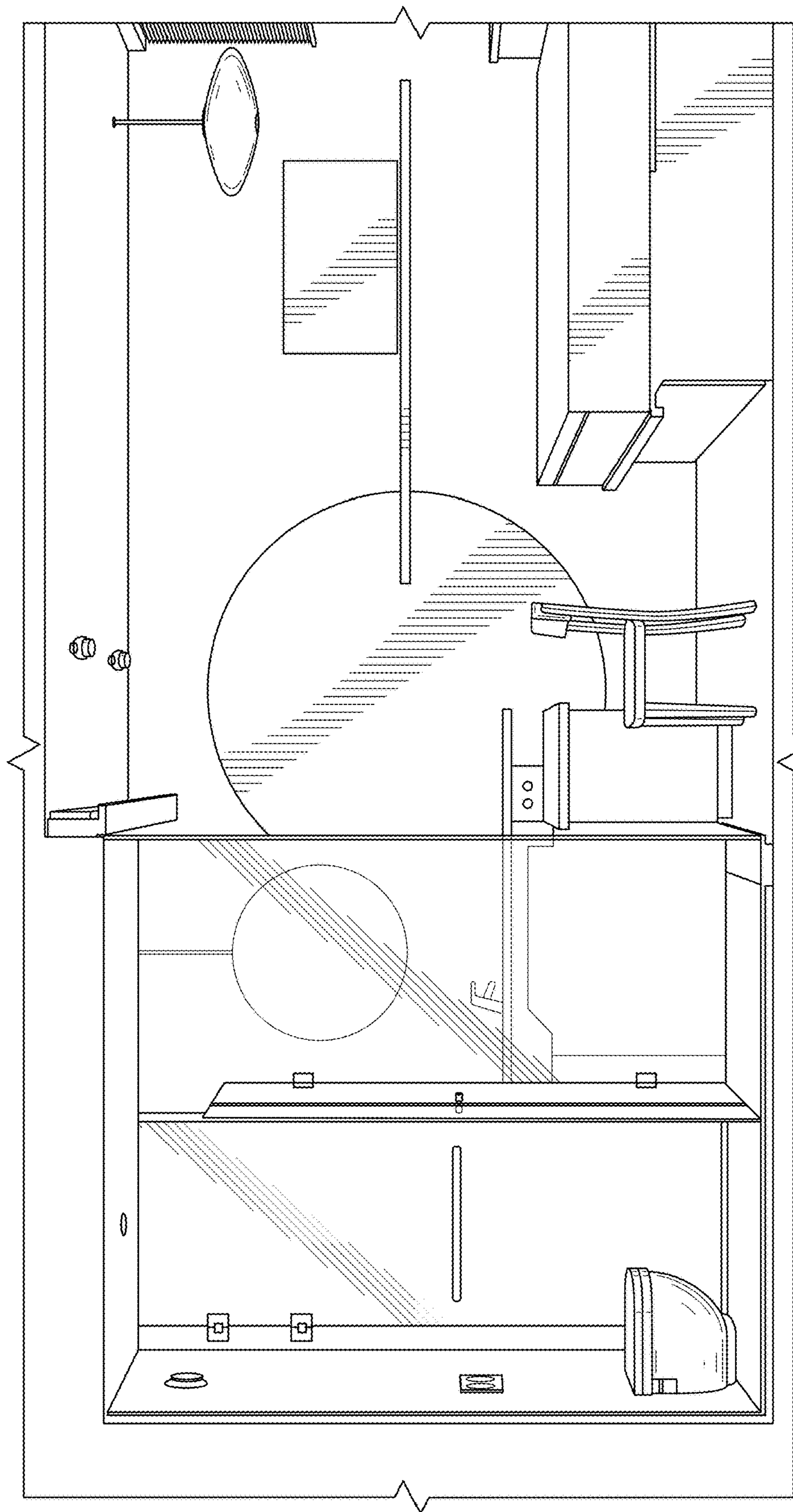


FIG. 2

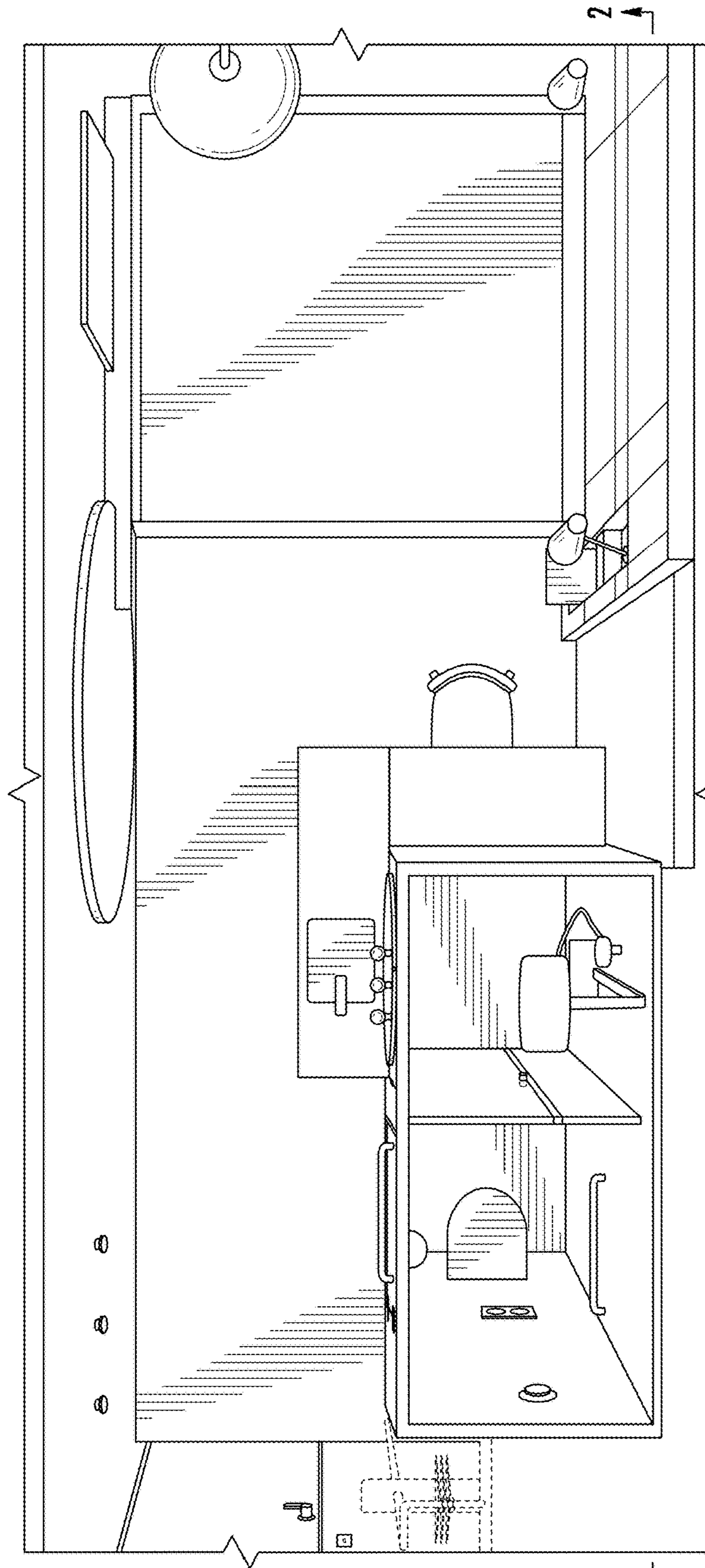


FIG. 3

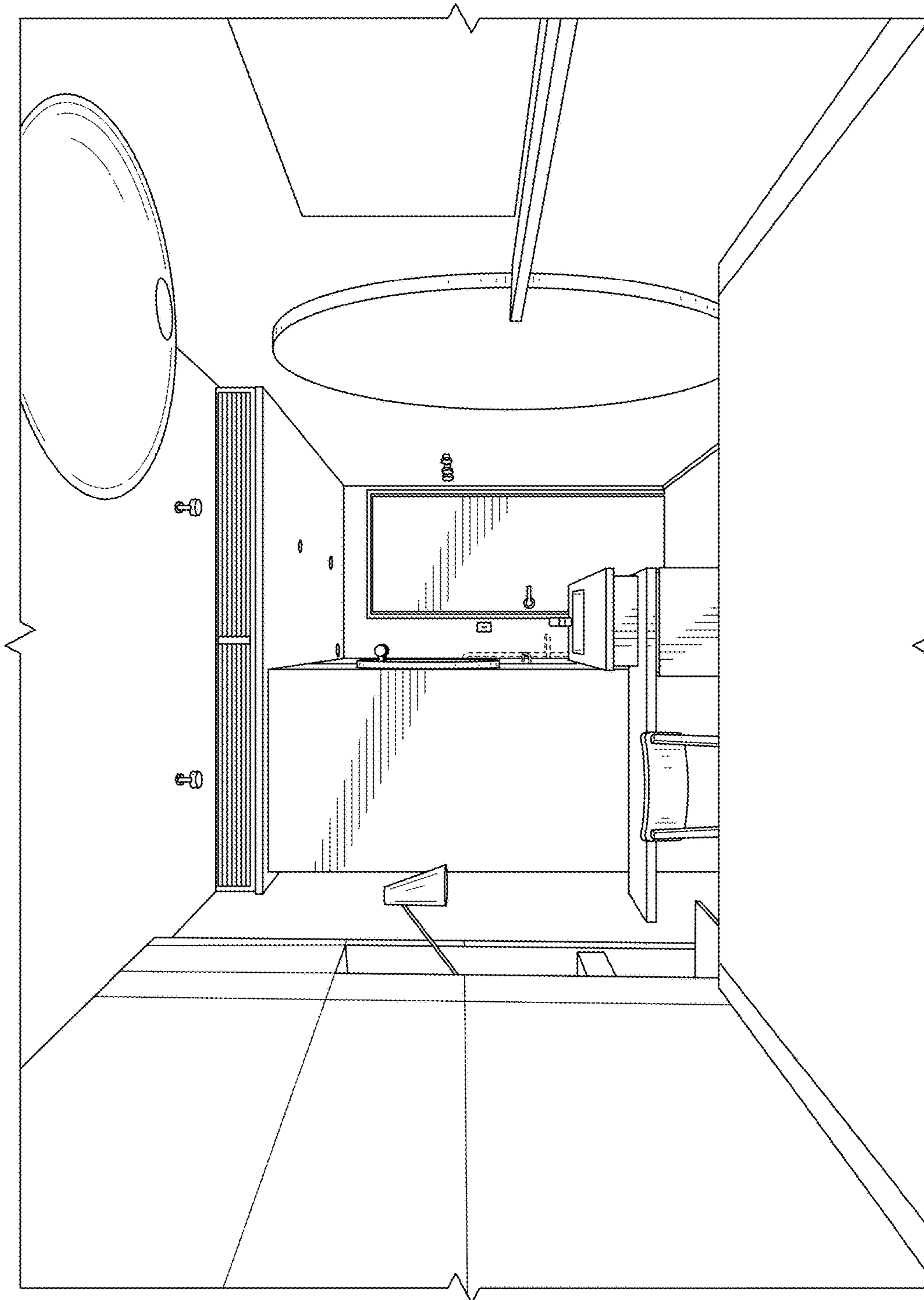


FIG. 4