



US00D865996S

(12) **United States Design Patent** (10) **Patent No.:** **US D865,996 S**
Mellett et al. (45) **Date of Patent:** **** Nov. 5, 2019**

(54) **USER INTERFACE FOR MEDICAL WORKSTATION**

(71) Applicant: **Hologic, Inc.**, Bedford, MA (US)

(72) Inventors: **Alyssa Mellett**, Kennesaw, GA (US);
Russell Kroll, Atlanta, GA (US);
Nikolaos Gkanatsios, Danbury, CT (US)

(73) Assignee: **Hologic, Inc.**, Marlborough, MA (US)

(**) Term: **15 Years**

(21) Appl. No.: **29/585,524**

(22) Filed: **Nov. 25, 2016**

(51) **LOC (12) Cl.** **24-02**

(52) **U.S. Cl.**
USPC **D24/234; D24/186**

(58) **Field of Classification Search**
USPC D24/231, 185, 186, 169, 142, 158, 177,
D24/184, 216, 209, 108; D14/447, 344,
D14/486, 341, 346, 336; D10/15
CPC A61B 5/1071
See application file for complete search history.

(56) **References Cited**

U.S. PATENT DOCUMENTS

D352,463 S *	11/1994	Kubo	D10/15
D361,129 S *	8/1995	Collins	D24/169
D365,996 S	1/1996	Peterson		
D372,981 S	8/1996	McMahan, Jr.		
D415,834 S	10/1999	Bar		
D426,833 S	6/2000	Vanelli		
D461,895 S *	8/2002	Barnes	D24/158
6,792,801 B2 *	9/2004	Hoggan	A61B 5/1071 73/379.02
D504,516 S *	4/2005	Yamazaki	D14/486
D507,832 S	7/2005	Yanniello		
D510,625 S *	10/2005	Widener	D24/186

D526,063 S	8/2006	Widener		
D536,788 S	2/2007	Trifilio		
D538,243 S	3/2007	Seo		
D541,941 S	5/2007	Nakanishi		
D547,454 S	7/2007	Hsieh		
D547,873 S	7/2007	Hood		
D549,343 S *	8/2007	Schlagheck	D24/169
D550,364 S *	9/2007	Glover	D24/186
D551,350 S	9/2007	Lorimer		
D560,811 S	1/2008	Powell		
D587,376 S	2/2009	Takano		
D595,415 S	6/2009	Fukuzawa		
D598,113 S	8/2009	Flaction		
D601,256 S	9/2009	Takano		
D603,518 S *	11/2009	Zafar	D24/185

(Continued)

Primary Examiner — Rhea Shields

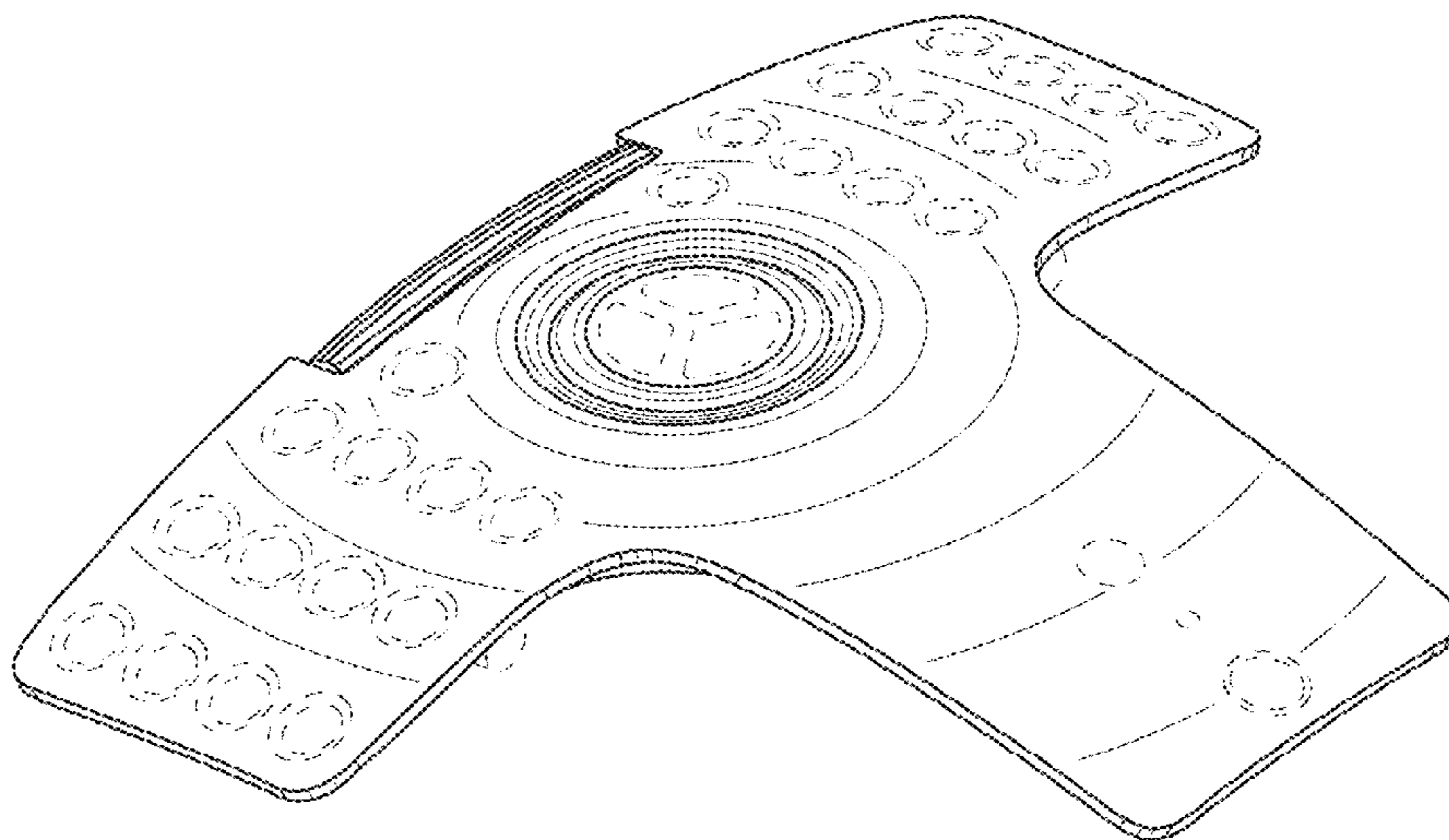
(57) **CLAIM**

The ornamental design for a user interface for medical workstation, as shown and described.

DESCRIPTION

FIG. 1 is a perspective view of an embodiment of a user interface for medical workstation showing our new design. FIG. 2 is a front view of the user interface for medical workstation of FIG. 1. FIG. 3 is a back view of the user interface for medical workstation of FIG. 1. FIG. 4 is a right-side view of the user interface for medical workstation of FIG. 1. FIG. 5 is a left-side view of the user interface for medical workstation of FIG. 1. FIG. 6 is a top view of the user interface for medical workstation of FIG. 1; and, FIG. 7 is a bottom view of the user interface for medical workstation of FIG. 1. In the drawings, the broken lines are for the purpose of illustrating environment only and form no part of the claimed design.

1 Claim, 6 Drawing Sheets



(56)

References Cited

U.S. PATENT DOCUMENTS

D605,297 S * 12/2009 Unsworth D24/177
 D605,771 S * 12/2009 Unsworth D24/177
 D606,199 S 12/2009 Vu
 D606,203 S * 12/2009 Husheer D24/186
 D609,197 S 2/2010 Koskela
 D609,349 S * 2/2010 Pelissier D24/186
 D612,503 S 3/2010 Johnston
 D613,411 S 4/2010 Collins
 D616,993 S 6/2010 Muis
 D629,113 S 12/2010 Wodecki
 D634,435 S 3/2011 Chua
 D641,881 S 7/2011 Inami
 D670,810 S 11/2012 Fukuzawa
 D673,151 S 12/2012 Bousfield
 D673,153 S 12/2012 Bousfield
 D675,321 S 1/2013 Sanga
 D684,574 S 6/2013 Taunay da Graca Couto
 D687,540 S 8/2013 Nair
 D688,060 S 8/2013 Sizelove
 D696,403 S 12/2013 Noguchi
 D696,404 S 12/2013 Golnik
 D698,443 S 1/2014 Prais
 D700,702 S 3/2014 Kolb
 D705,190 S 5/2014 Shigeno
 D712,041 S * 8/2014 Glaesker D24/184
 8,894,585 B2 * 11/2014 Hasbun A61B 5/0051
 600/301
 D719,999 S 12/2014 Sohrabi
 D721,814 S 1/2015 Creed
 D732,729 S 6/2015 McKechnie
 D736,111 S 8/2015 Klein
 D738,507 S 9/2015 Prais
 D738,755 S 9/2015 Druce
 D739,938 S 9/2015 Schempp

D742,371 S * 11/2015 Bopp D14/336
 D743,035 S 11/2015 Uozumi
 D745,167 S 12/2015 Canas
 D748,271 S 1/2016 Clowry
 D749,073 S * 2/2016 Navon D14/346
 D751,205 S 3/2016 Tan
 D755,977 S * 5/2016 Winkelmann D24/177
 D766,442 S 9/2016 Prais
 D769,241 S * 10/2016 Mazz D14/341
 D770,034 S * 10/2016 McNall, III D24/108
 D770,052 S * 10/2016 Abu-Tarif D24/186
 D774,057 S * 12/2016 Anderson D14/486
 D779,677 S 2/2017 Chen
 D784,541 S 4/2017 Hilbig
 D791,336 S * 7/2017 Lei D24/209
 D795,252 S * 8/2017 Chung D14/344
 D799,484 S 10/2017 Tamillow
 D800,909 S 10/2017 Jones
 D800,912 S 10/2017 Uzri
 D801,538 S 10/2017 Rondoni
 D804,033 S 11/2017 Wightman
 D810,042 S 2/2018 Pazhoor
 D810,306 S 2/2018 Rondoni
 D810,947 S 2/2018 Larson
 D821,592 S 6/2018 Pham
 D822,216 S 7/2018 Barker
 D822,217 S 7/2018 Sebban
 D824,034 S 7/2018 Pushpala
 D829,337 S * 9/2018 Klein D24/216
 D833,624 S 11/2018 DeJong
 D834,583 S * 11/2018 Janzen D14/447
 D834,721 S 11/2018 Klein
 D835,798 S 12/2018 Ito
 D836,639 S 12/2018 Volta
 D836,769 S 12/2018 Kabel-Eckes
 D836,789 S 12/2018 Jiang
 D839,424 S * 1/2019 Golosarsky D24/142

* cited by examiner

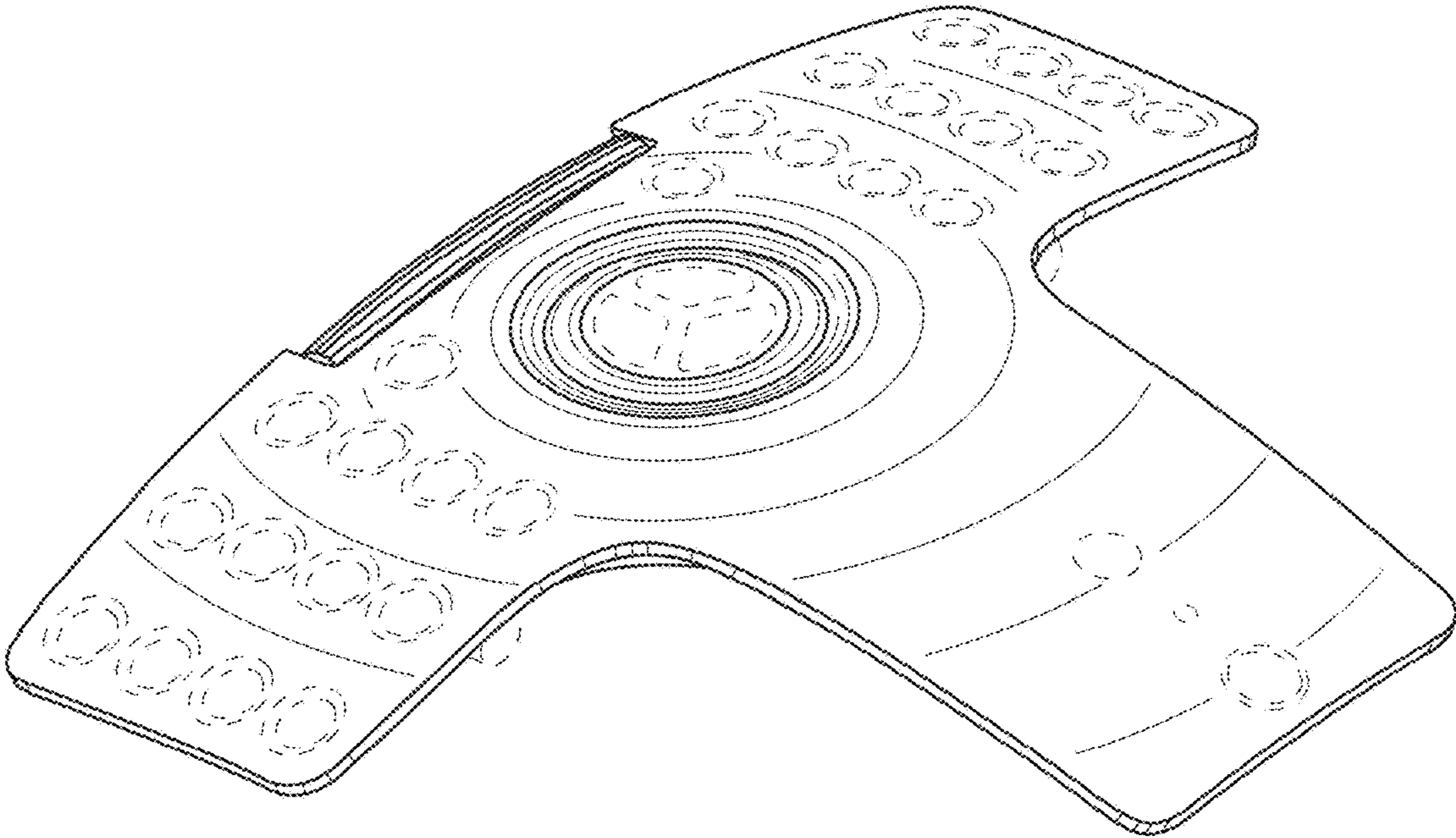


FIG. 1

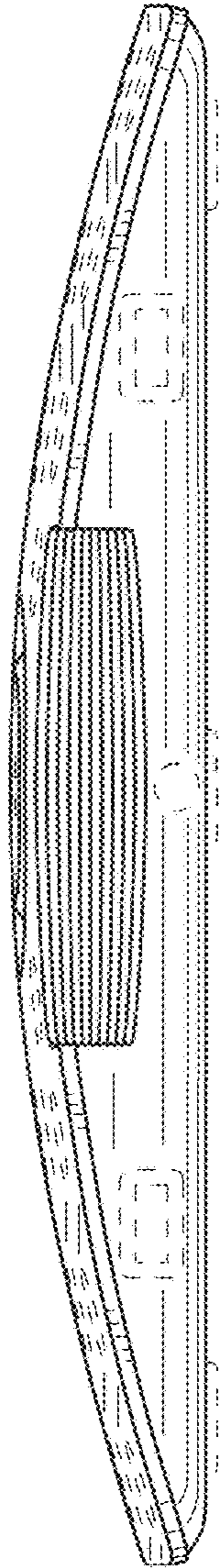


FIG.2

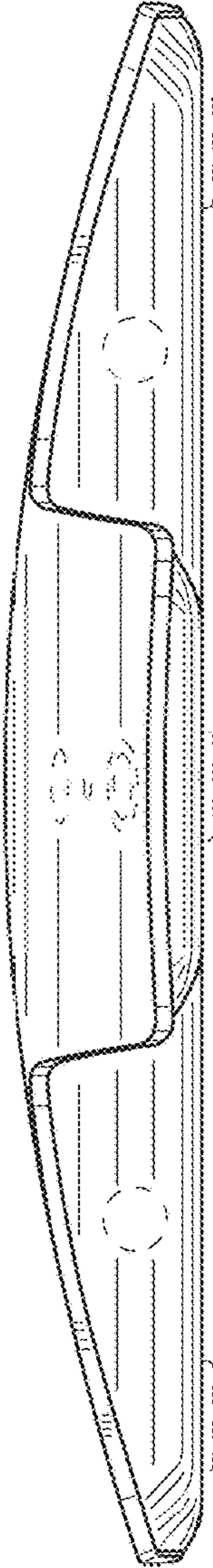


FIG.3

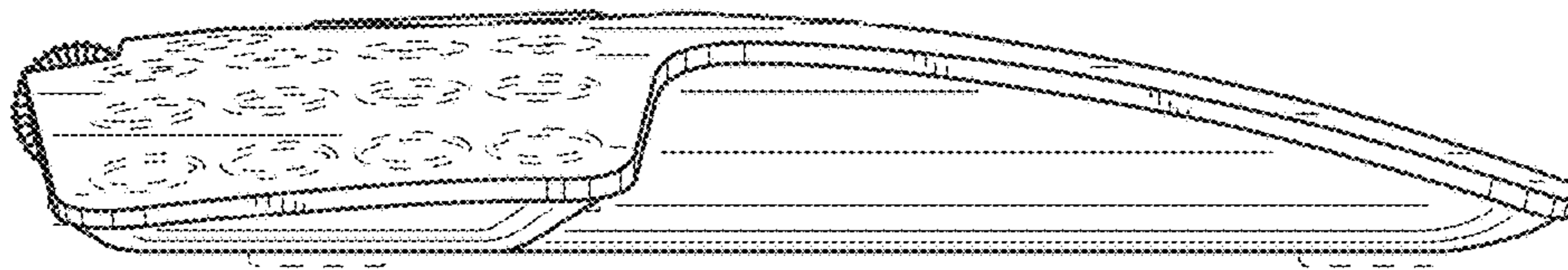


FIG. 4

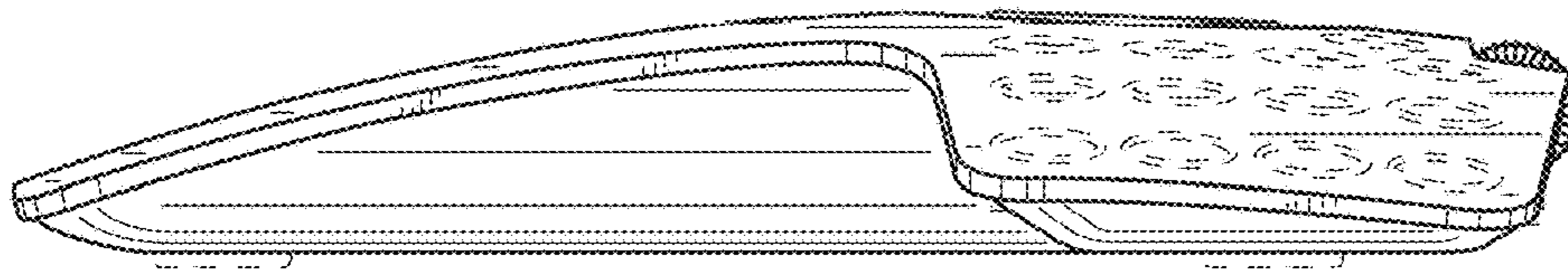


FIG. 5

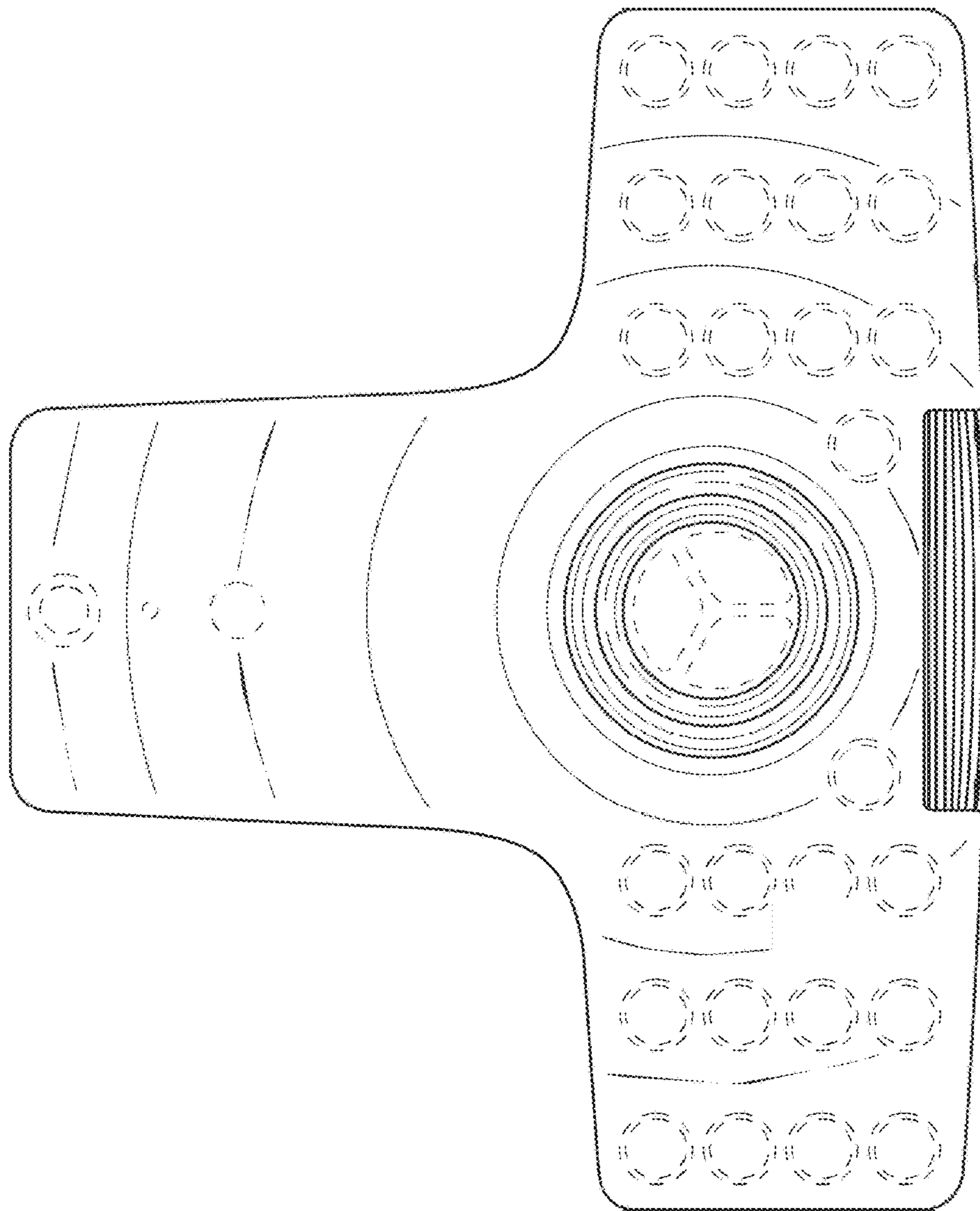


FIG. 6

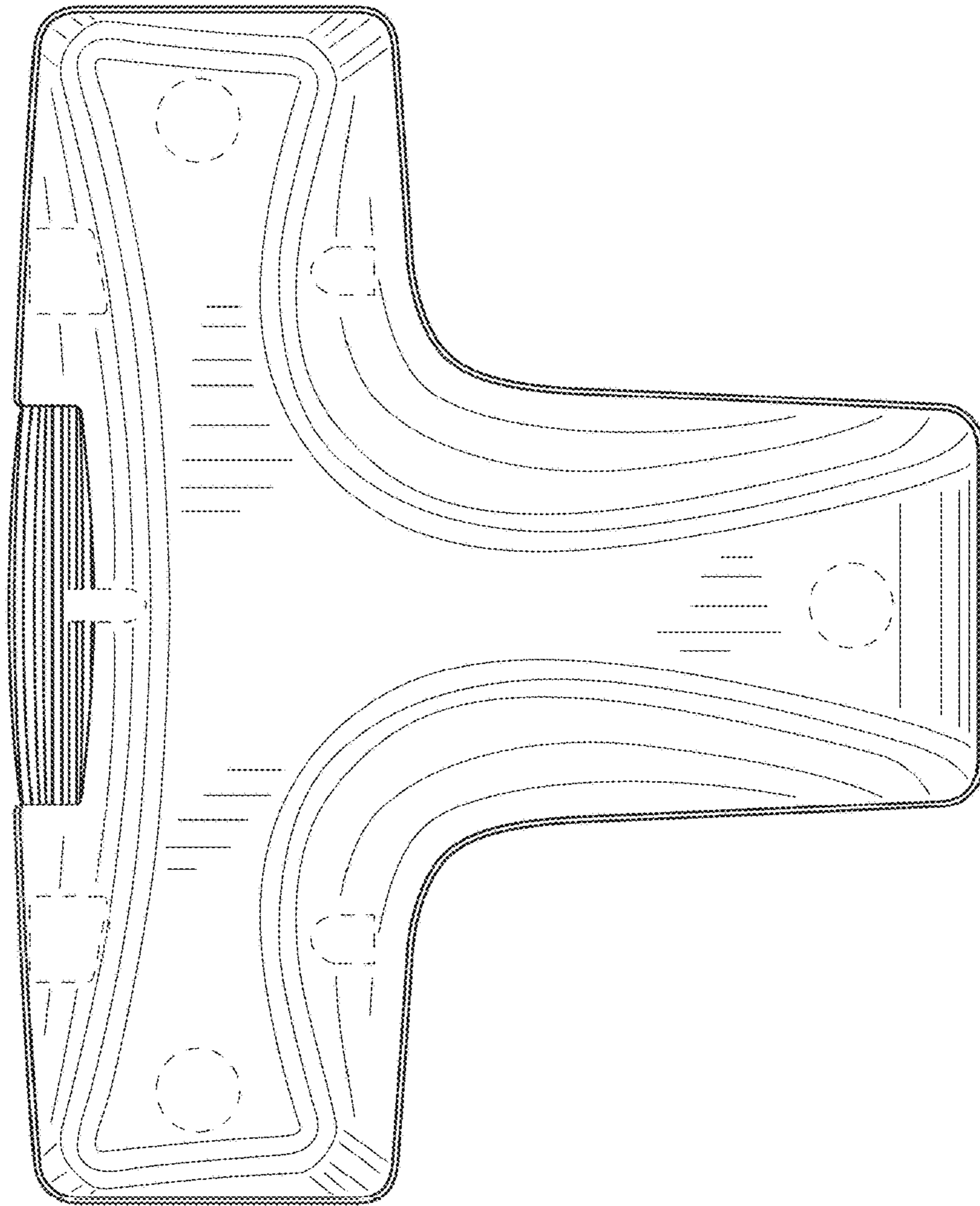


FIG.7