

US00D865993S

(12) **United States Design Patent** (10) **Patent No.:** **US D865,993 S**
Trump et al. (45) **Date of Patent:** **** Nov. 5, 2019**

(54) **DOCKING CAP**

(71) Applicant: **STRATEC Biomedical AG**, Birkenfeld (DE)

(72) Inventors: **Martin Trump**, Pforzheim (DE);
Thomas Lowien, Pforzheim (DE);
Matthias Barth, Karlsruhe (DE)

(73) Assignee: **STRATEC SE**, Birkenfeld (DE)

(**) Term: **15 Years**

(21) Appl. No.: **29/602,794**

(22) Filed: **May 3, 2017**

(51) **LOC (12) Cl.** **24-01**

(52) **U.S. Cl.**
USPC **D24/224**

(58) **Field of Classification Search**
USPC D24/169, 216, 222–226, 231–232;
D10/80–81; D9/500, 516, 517, 520, 572,
D9/575
CPC B01L 3/52; B01L 3/523; B01L 3/527
See application file for complete search history.

8,777,040 B2 * 7/2014 Wahl A47G 19/2266
215/237

D769,456 S * 10/2016 Dulaff D24/224

D782,061 S * 3/2017 Luoma, II D24/224

9,873,121 B2 * 1/2018 Trump B01L 3/523

2012/0101407 A1 * 4/2012 Chan A61B 5/150022
600/576

2014/0260089 A1 * 9/2014 Luoma, II B01L 3/523
53/396

2016/0266156 A1 * 9/2016 Brennan G01N 35/00663

* cited by examiner

Primary Examiner — Barbara Fox
Assistant Examiner — Mary Shannon Malley
(74) *Attorney, Agent, or Firm* — 24IP Law Group USA, PLLC; Timothy R DeWitt

(57) **CLAIM**
The ornamental design for a docking cap, as shown and described.

DESCRIPTION

FIG. 1 is a perspective view of the docking cap;
FIG. 2 is a top view of the docking cap;
FIG. 3 is a bottom view of the docking cap;
FIG. 4 is a front view of the docking cap;
FIG. 5 is a back view of the docking cap.
FIG. 6 is a left side view of the docking cap; and,
FIG. 7 is a right side view of the docking cap.
The broken lines in the drawings show portions of the docking cap that form no part of the claimed design.

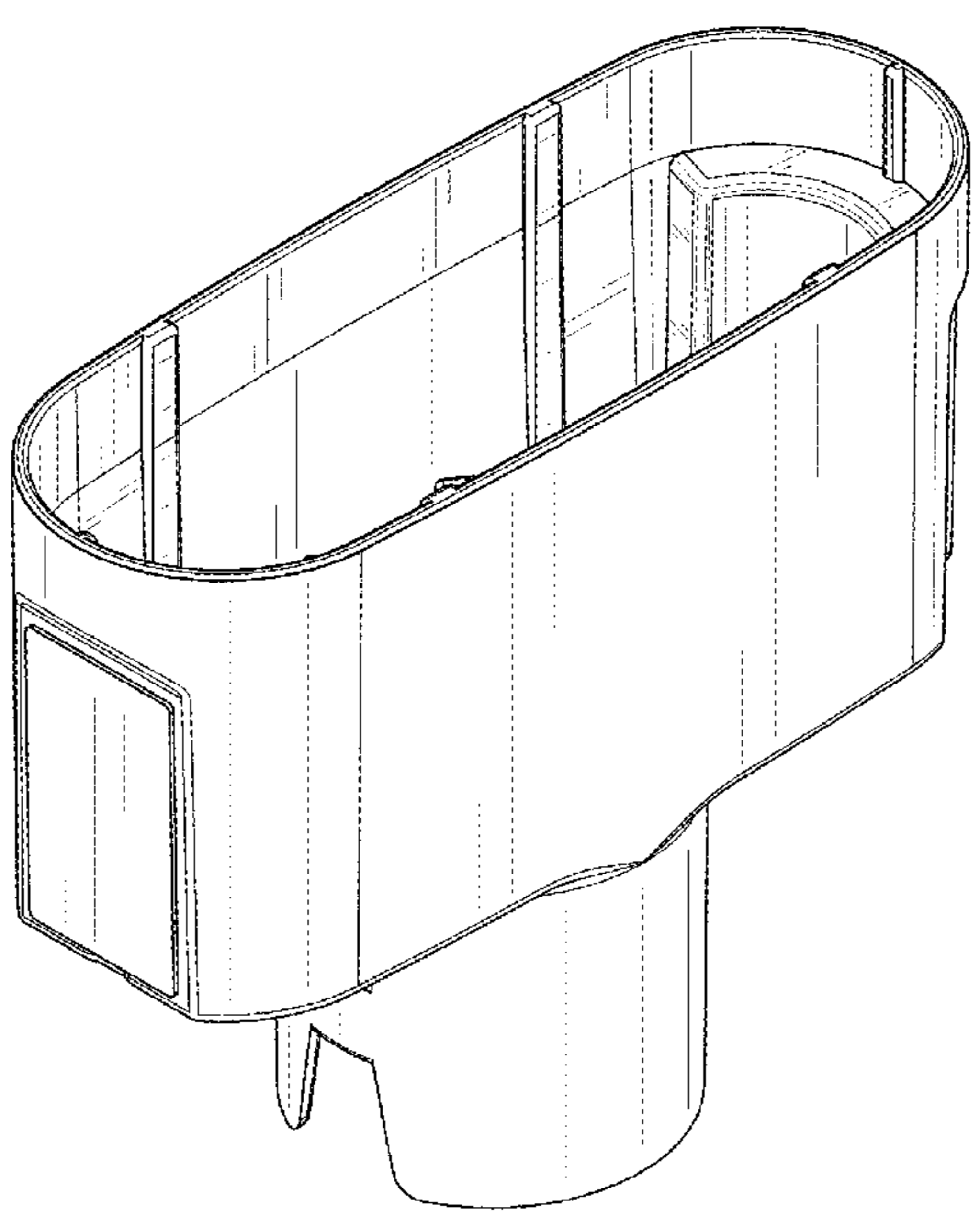
(56) **References Cited**
U.S. PATENT DOCUMENTS

D411,014 S * 6/1999 Berger D24/223

D502,268 S * 2/2005 Sakai D24/223

D666,736 S * 9/2012 Kobayashi D24/224

1 Claim, 4 Drawing Sheets



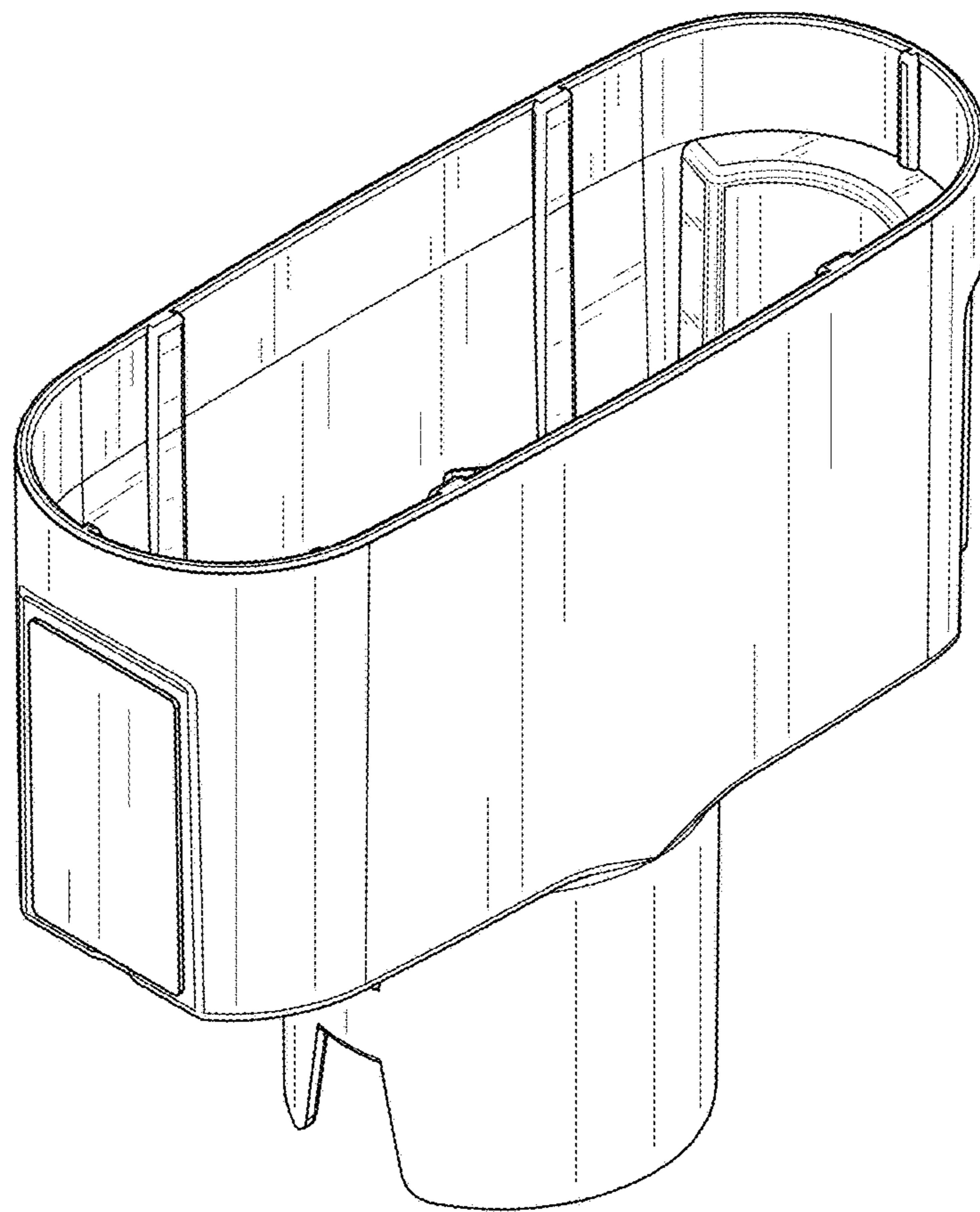


FIG. 1

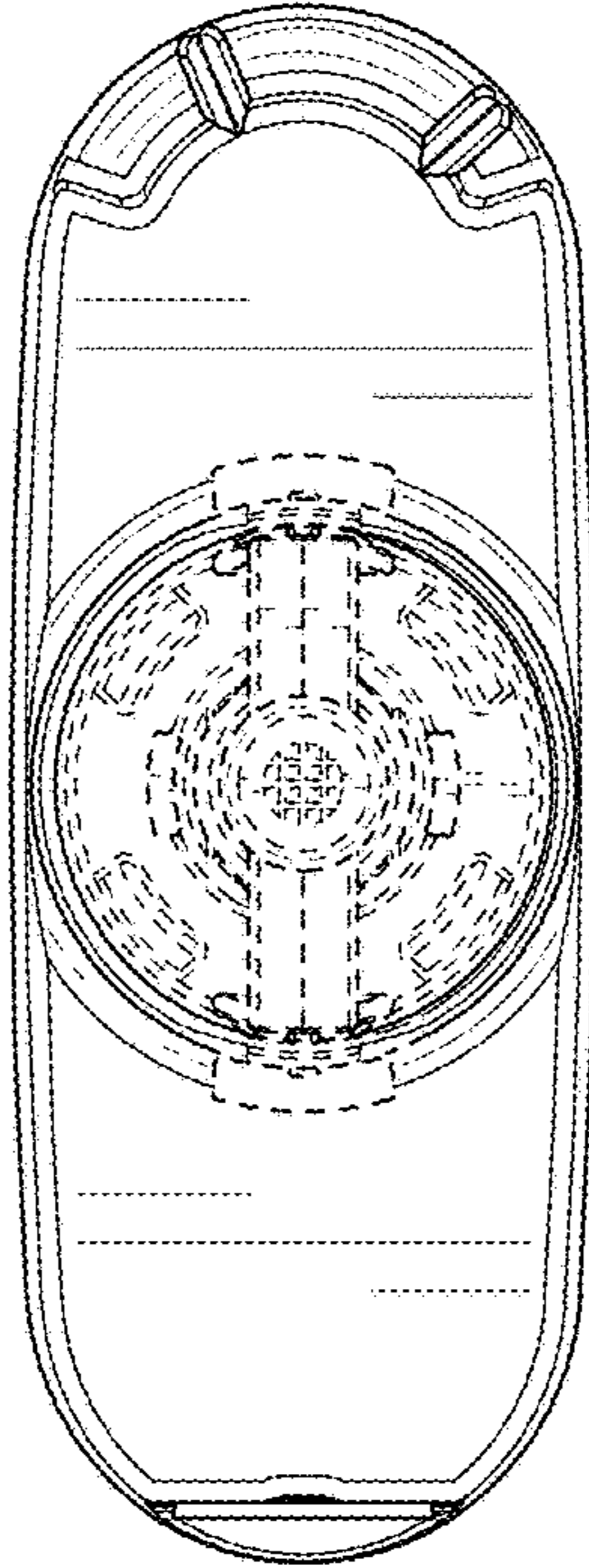


FIG. 3

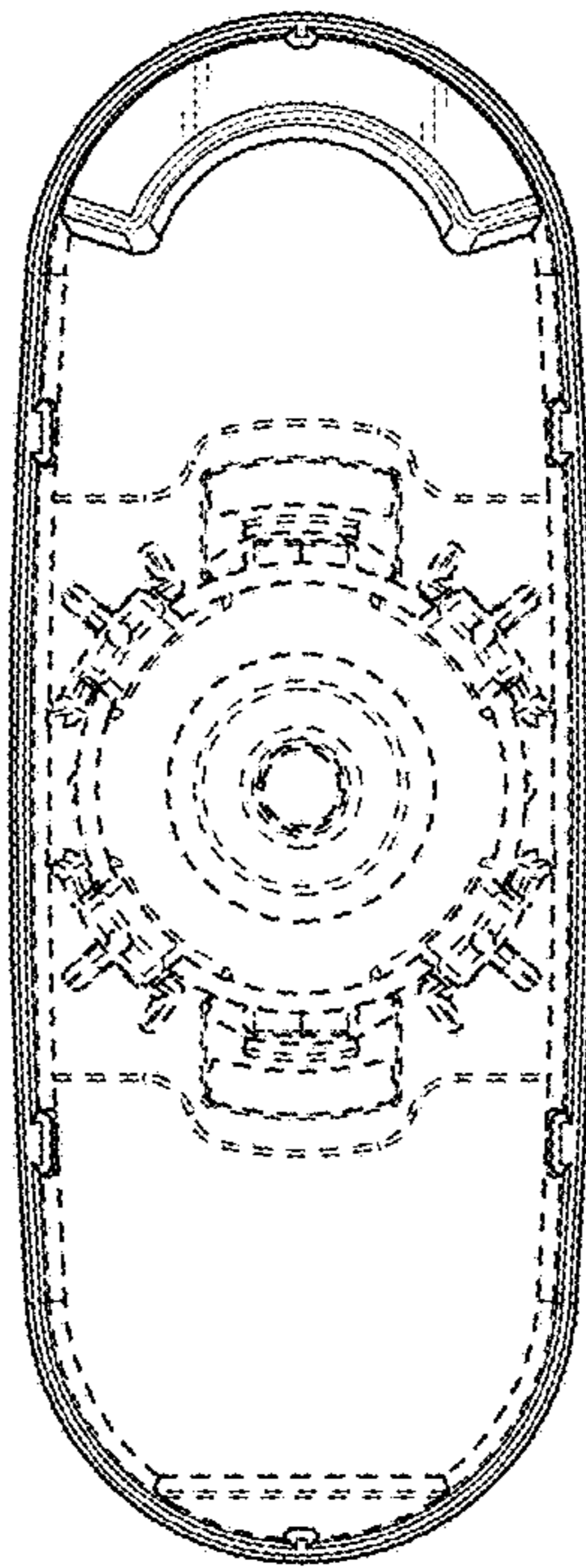


FIG. 2

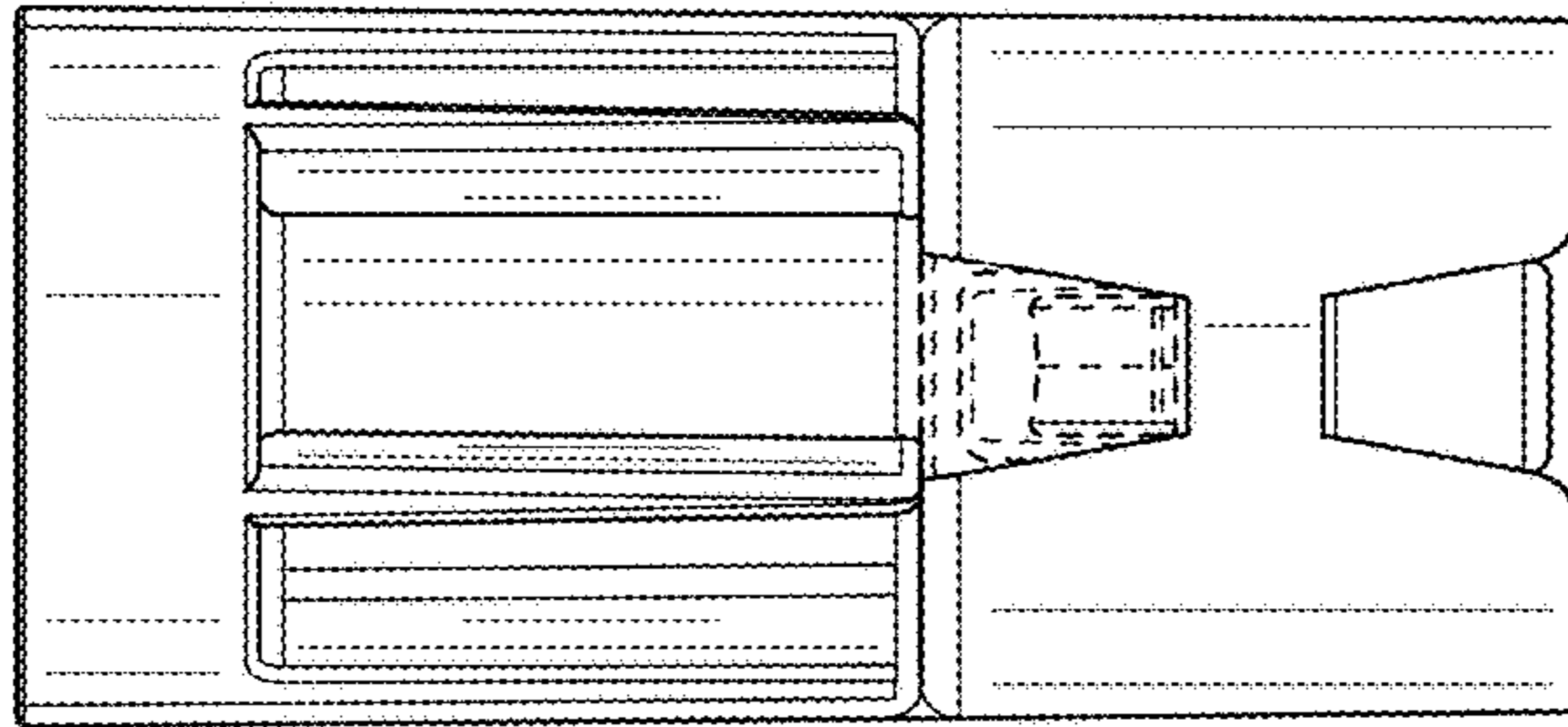


FIG. 5

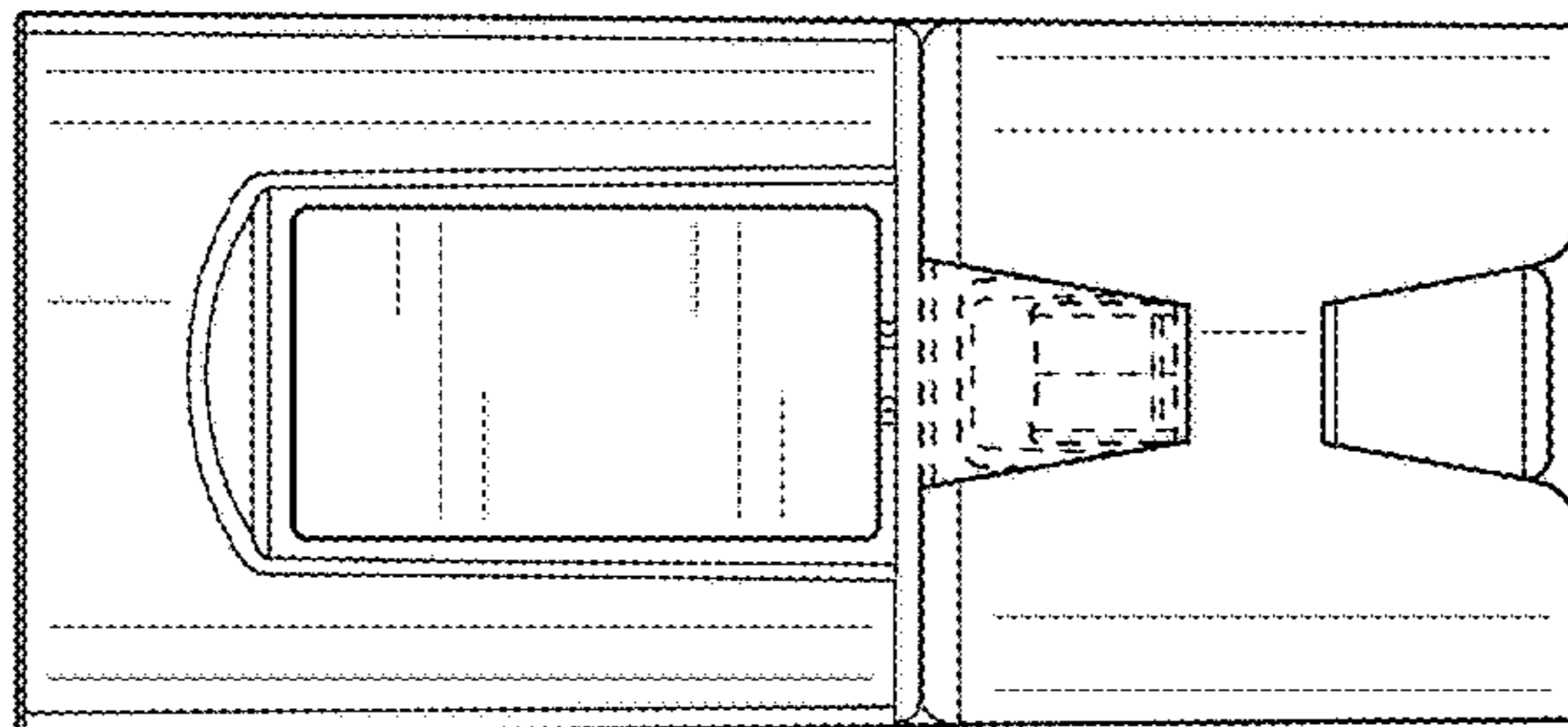


FIG. 4

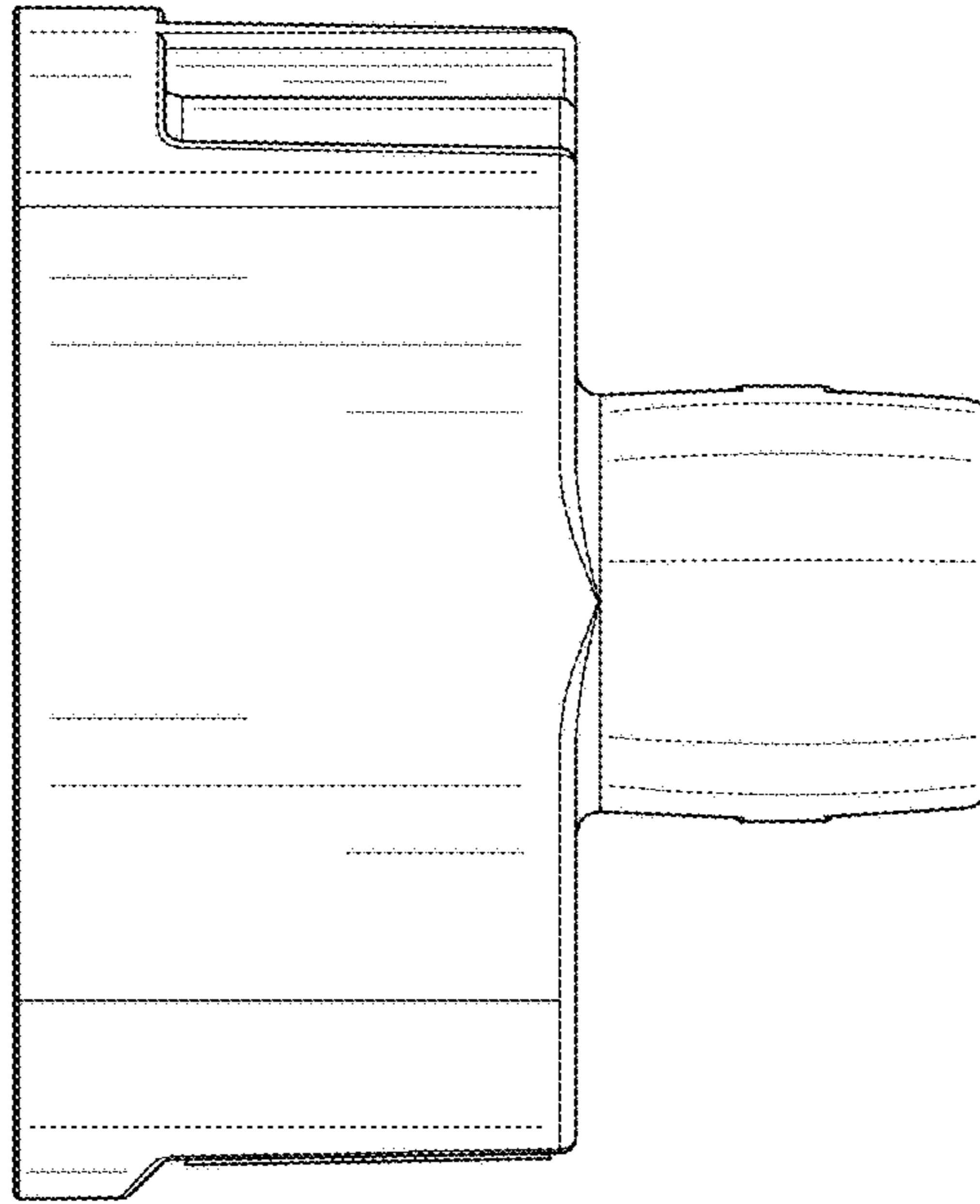


FIG. 7

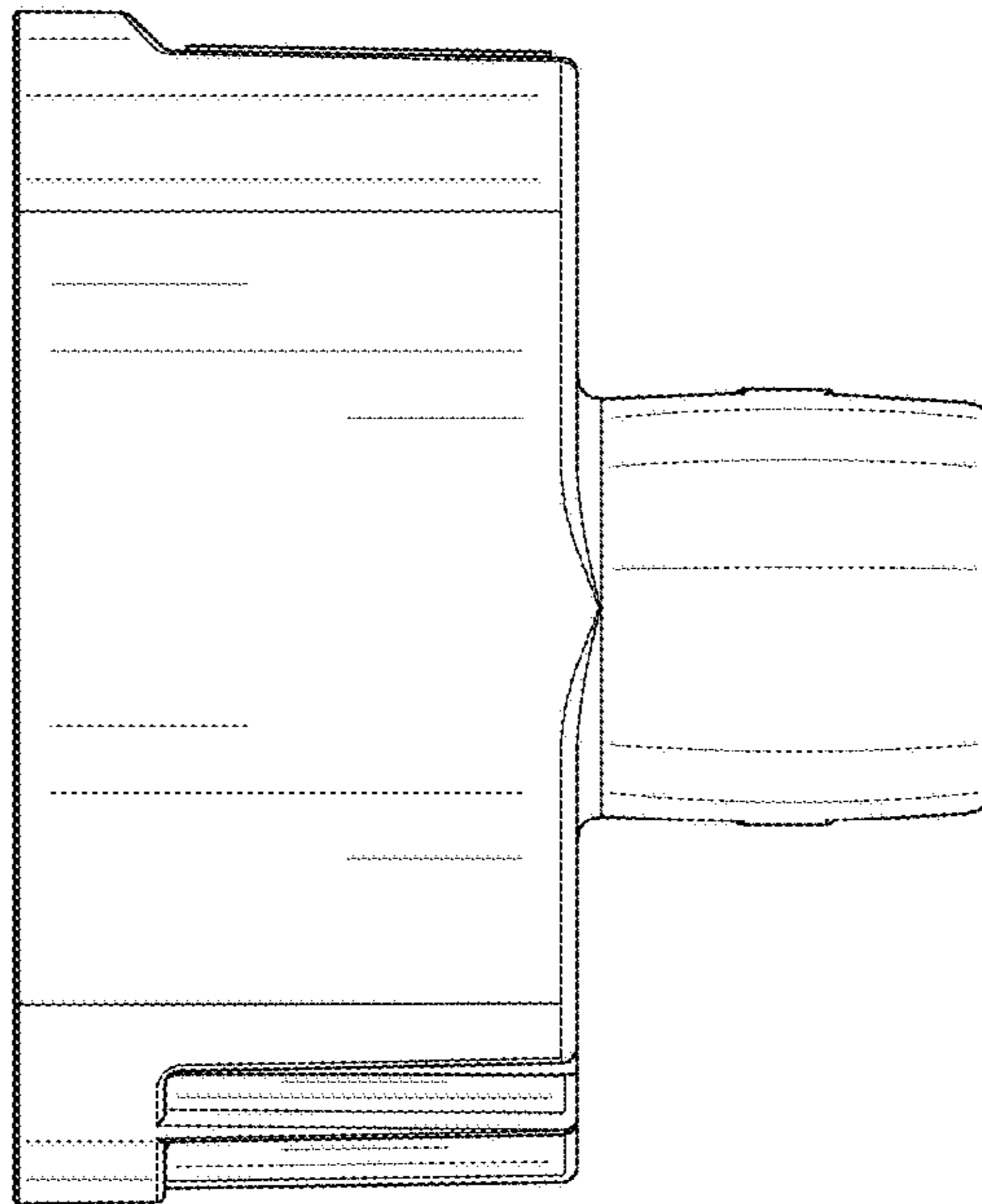


FIG. 6