



US00D865990S

(12) **United States Design Patent** (10) **Patent No.:** **US D865,990 S**
Ko (45) **Date of Patent:** **** Nov. 5, 2019**

(54) **SKIN CARE DEVICE**
(71) Applicant: **SKINSCIENCE CO., LTD.**,
Gyeonggi-Do (KR)
(72) Inventor: **Youngsan Ko**, Seongnam-si (KR)
(73) Assignee: **SKINSCIENCE CO., LTD.**,
Seongnam-si, Gyeonggi-Do (KR)
(**) Term: **15 Years**
(21) Appl. No.: **35/504,167**
(22) Filed: **Jun. 13, 2017**
(80) **Hague Agreement Data**
Int. Filing Date: **Jun. 13, 2017**
Int. Reg. No.: **DM/097168**
Int. Reg. Date: **Jun. 13, 2017**
Int. Reg. Pub. Date: **Dec. 15, 2017**
(51) **LOC (12) Cl.** **28-03**
(52) **U.S. Cl.**
USPC **D24/215**
(58) **Field of Classification Search**
USPC D24/215, 214, 209, 133, 187, 200, 211,
D24/158, 176, 143, 112, 121, 155, 113,
D24/137, 145; D28/7, 55; 601/15;
607/115, 50; 606/9
CPC A61B 18/203; A61F 7/00; A61F 7/007;
A61N 1/326; A61N 1/36021; A61N 1/32
See application file for complete search history.

(56) **References Cited**
U.S. PATENT DOCUMENTS
5,607,461 A * 3/1997 Lathrop A61N 1/36021
607/115
6,083,250 A * 7/2000 Lathrop A61N 1/326
607/50
6,312,397 B1 * 11/2001 Gebhard A61F 7/007
601/15

6,443,915 B1 * 9/2002 Hwang A61N 1/32
601/15
6,572,637 B1 * 6/2003 Yamazaki A61B 18/203
606/9
D511,384 S * 11/2005 Masuda D24/187
D628,690 S * 12/2010 Galbraith D24/114
D652,919 S * 1/2012 Sherwood D24/133
D654,584 S * 2/2012 Costello D24/114
D655,012 S * 2/2012 Nanda D24/176
D660,958 S * 5/2012 McLoughlin D24/113
D668,338 S * 10/2012 Bast D24/145
D684,723 S * 6/2013 Tsai D24/133
8,523,791 B2 * 9/2013 Castel A61F 7/00
601/15
D707,839 S * 6/2014 Bradley D24/209
D709,191 S * 7/2014 Wood D24/137
D734,479 S * 7/2015 Youngquist D24/158
D735,322 S * 7/2015 Tyce D24/113
D735,860 S * 8/2015 Palinchik D24/155
D740,422 S * 10/2015 Herfort D24/147
D747,800 S * 1/2016 Dunleavy D24/133
D748,776 S * 2/2016 Brannon D24/121

(Continued)

Primary Examiner — Rhea Shields
(74) *Attorney, Agent, or Firm* — Novick, Kim & Lee,
PLLC; Jae Youn Kim

(57) **CLAIM**

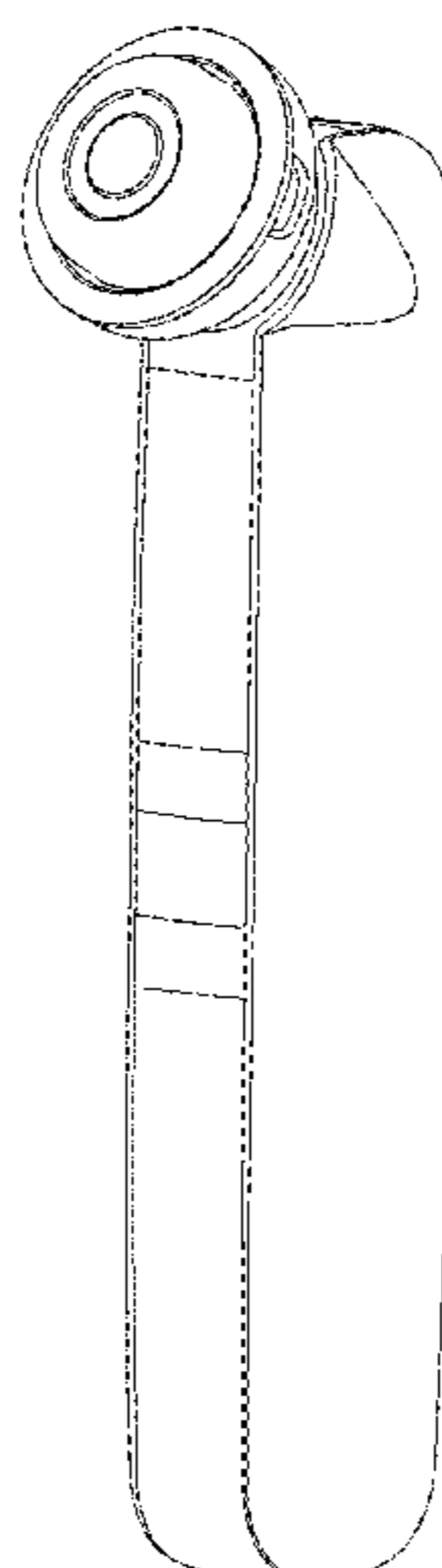
The ornamental design for a skin care device, as shown and described.

DESCRIPTION

- 1. Skin care device
- 1.1 : Perspective
- 1.2 : Front
- 1.3 : Back
- 1.4 : Top
- 1.5 : Bottom
- 1.6 : Left
- 1.7 : Right

The broken lines in the drawings show portions of the skin care device which form no part of the claimed design.

1 Claim, 6 Drawing Sheets



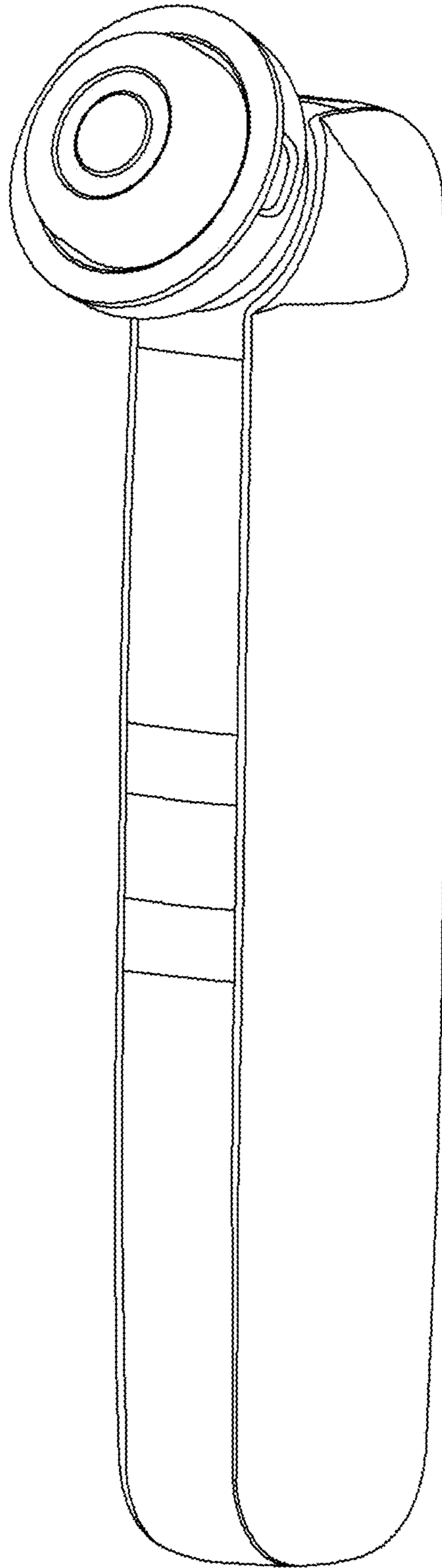
(56)

References Cited

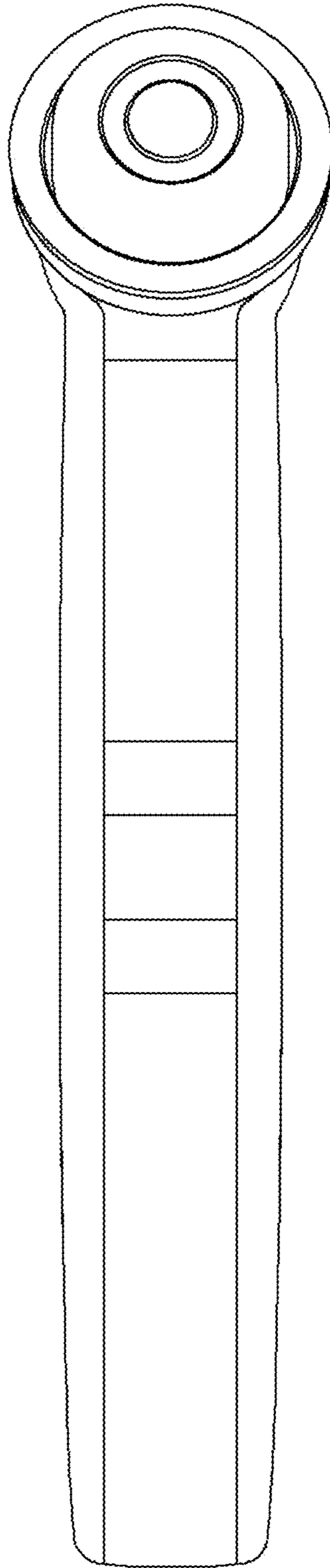
U.S. PATENT DOCUMENTS

D749,729	S	*	2/2016	Rains	D24/143
D759,261	S	*	6/2016	Son	D24/215
D761,490	S	*	7/2016	Hollinger	D24/133
D770,635	S	*	11/2016	Cole	D24/200
D776,874	S	*	1/2017	Kling	D24/133
D794,784	S	*	8/2017	Bradley	D24/133
D795,498	S	*	8/2017	Hollinger	D24/133
D812,303	S	*	3/2018	Pascullo	D28/55
D812,740	S	*	3/2018	Ratjen	D24/112
D825,754	S	*	8/2018	Pfeffer	D24/143
D829,333	S	*	9/2018	Shin	D24/209
D829,921	S	*	10/2018	Xiong	D24/214
D830,566	S	*	10/2018	Bookhamer	D24/211
D830,627	S	*	10/2018	Duquet	D28/7

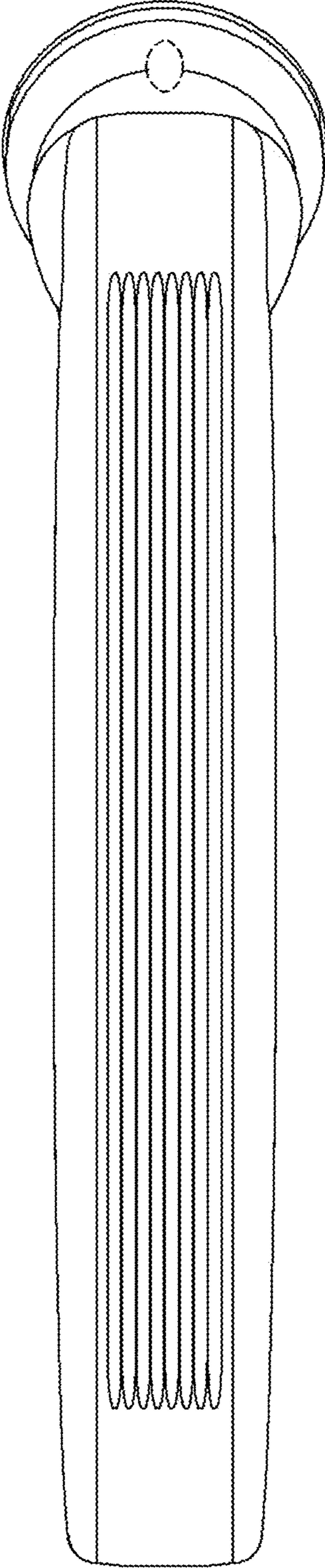
* cited by examiner



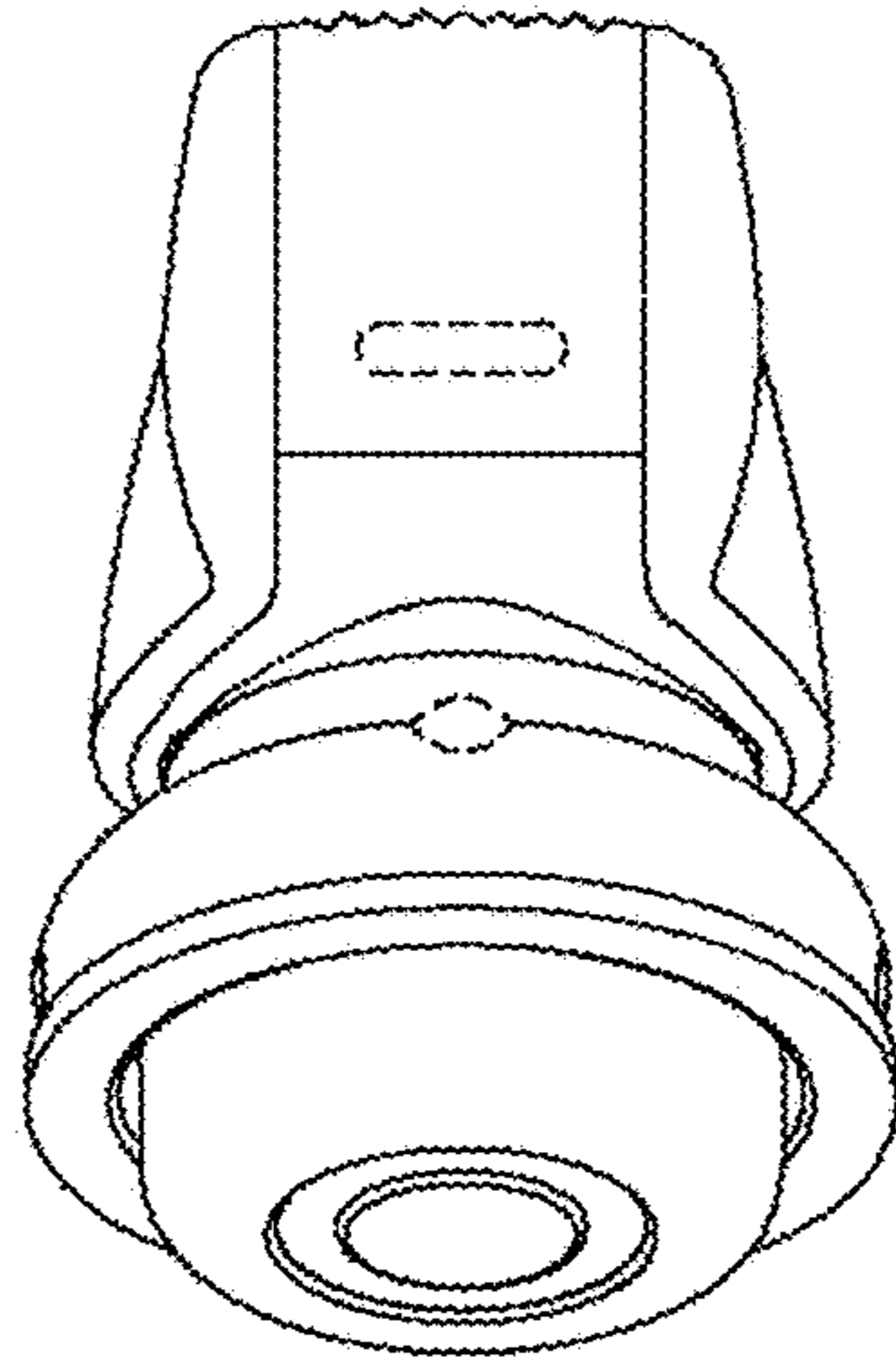
1.1



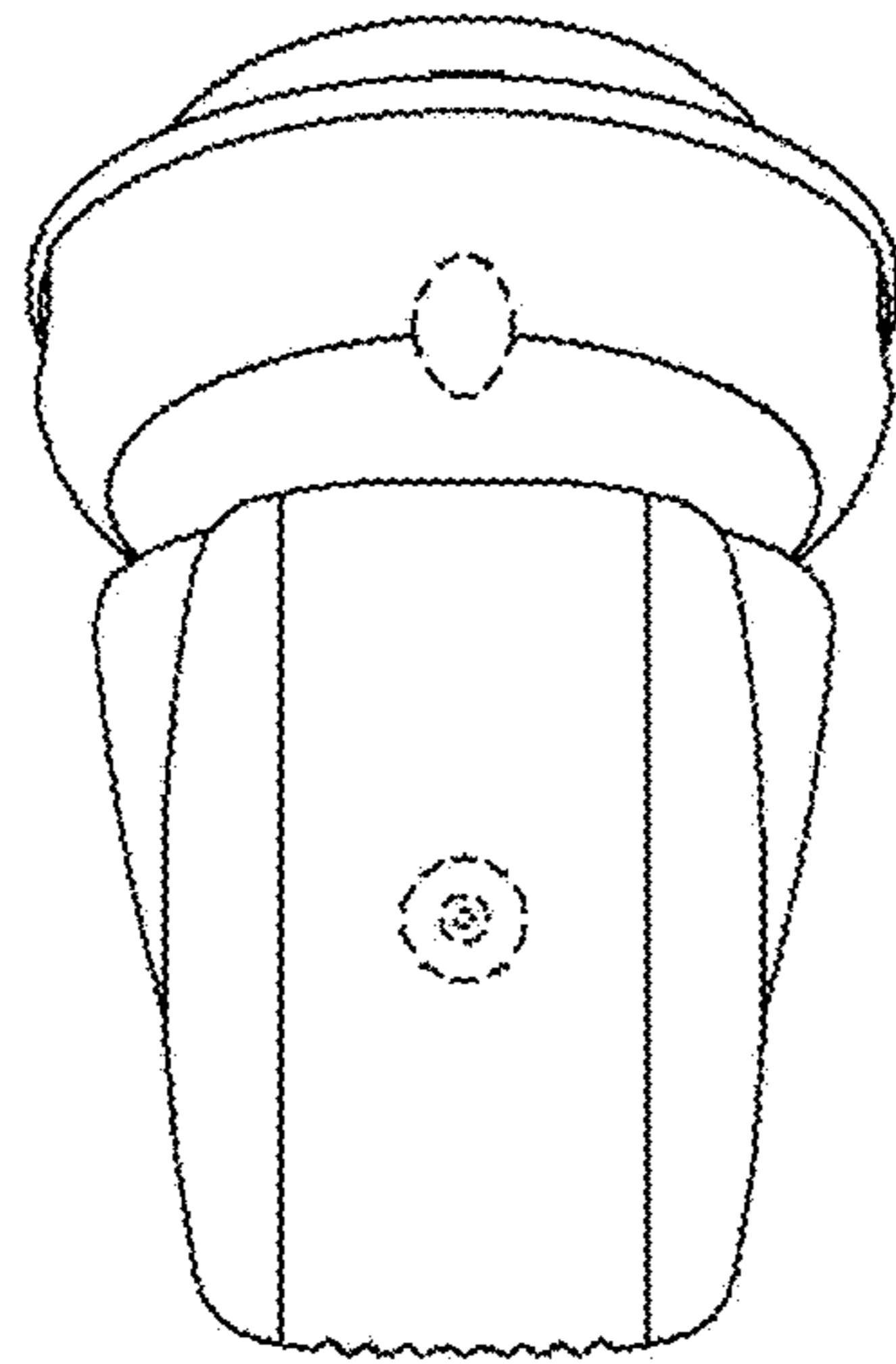
1.2



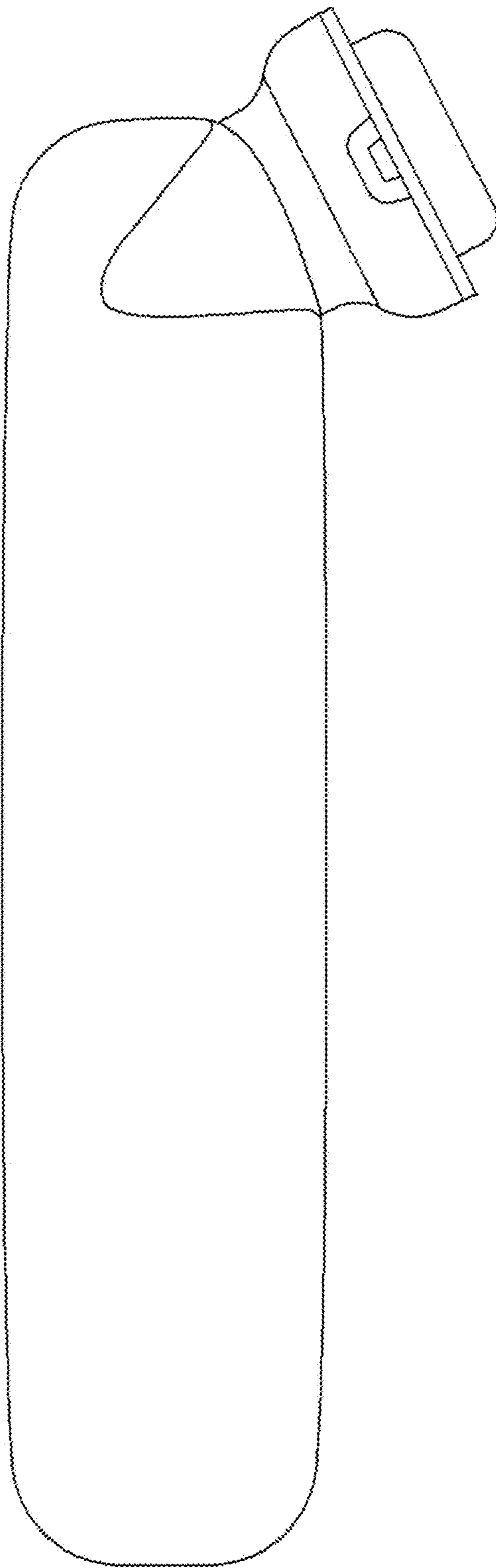
1.3



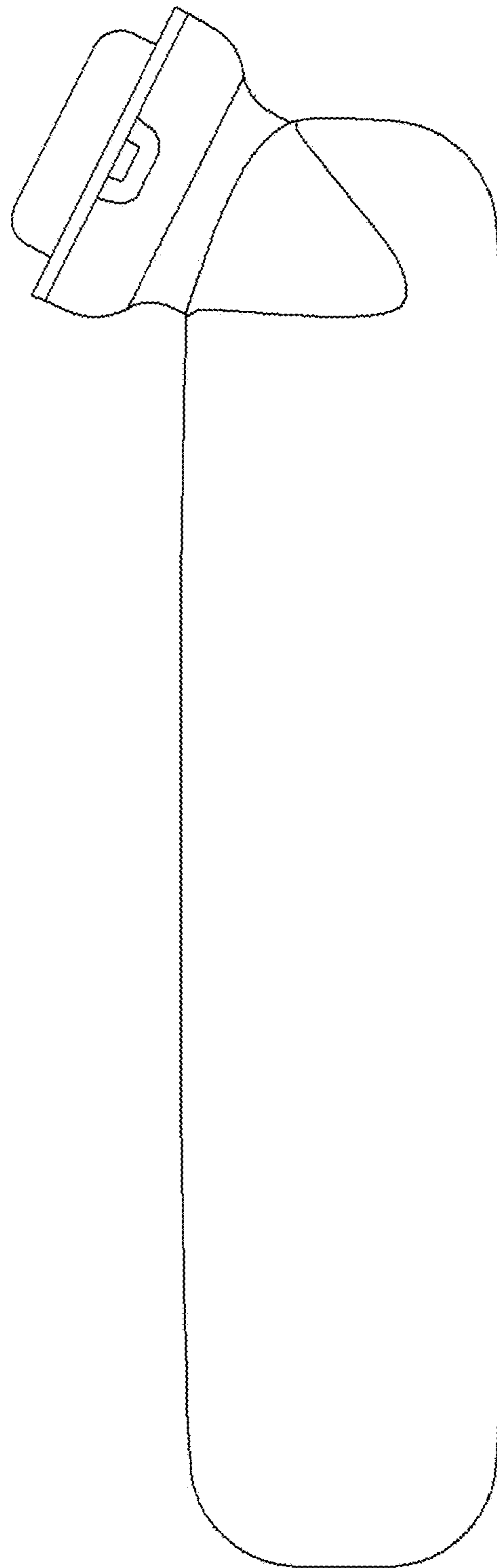
1.4



1.5



1.6



1.7