



US00D865982S

(12) **United States Design Patent** (10) **Patent No.:** **US D865,982 S**
Fuster (45) **Date of Patent:** **** Nov. 5, 2019**

(54) **MASSAGE APPLIANCE**
(71) Applicant: **LPG SYSTEMS**, Valence (FR)
(72) Inventor: **Arnaud Fuster**, Beaumont-les-Valence (FR)
(73) Assignee: **LPG Systems**, Valence (FR)
(**) Term: **15 Years**
(21) Appl. No.: **29/632,962**
(22) Filed: **Jan. 11, 2018**

Related U.S. Application Data

(62) Division of application No. 35/501,912, filed on Sep. 28, 2016 (U.S. filing date under 35 U.S.C. 384), and having an international filing date of Sep. 28, 2016, now Pat. No. Des. 845,502.

(30) **Foreign Application Priority Data**

Apr. 1, 2016 (EM) 3052547-0001
Apr. 1, 2016 (EM) 3052547-0003
Apr. 1, 2016 (EM) 3052547-0004

(51) **LOC (12) Cl.** **28-03**
(52) **U.S. Cl.**
USPC **D24/209**
(58) **Field of Classification Search**
USPC D24/133, 200, 209, 211, 212, 213, 214,
D24/215, 186, 168, 187, 141
CPC A61H 7/005
See application file for complete search history.

(56) **References Cited**

U.S. PATENT DOCUMENTS

D277,983 S * 3/1985 Kaminski D24/214
D404,496 S 1/1999 Tudico

D423,677 S * 4/2000 Sivan D24/215
D438,973 S 3/2001 Tudico
D438,977 S * 3/2001 Khalaj D24/200
D449,112 S * 10/2001 Tudico D24/214
D480,810 S 10/2003 Gumisawa
D546,471 S * 7/2007 Wu D24/215
D585,991 S 2/2009 Helgeson
D586,921 S 2/2009 Zimmer
D590,066 S * 4/2009 Stewart D24/214
D607,116 S * 12/2009 Morganstern D24/211
D618,813 S * 6/2010 Doo D24/200
D627,080 S 11/2010 Fuster
7,862,564 B2 1/2011 Goble
D650,086 S 12/2011 Fuster
D650,488 S * 12/2011 Donahue D24/214
D672,046 S 12/2012 Fuster
D735,868 S 8/2015 Mareguddi
D745,697 S 12/2015 Fuster
D752,231 S 3/2016 Halter
2017/0087047 A1 3/2017 Fuster

* cited by examiner

Primary Examiner — Eliza Z Bennett-Hattan

(74) *Attorney, Agent, or Firm* — Burr & Brown, PLLC

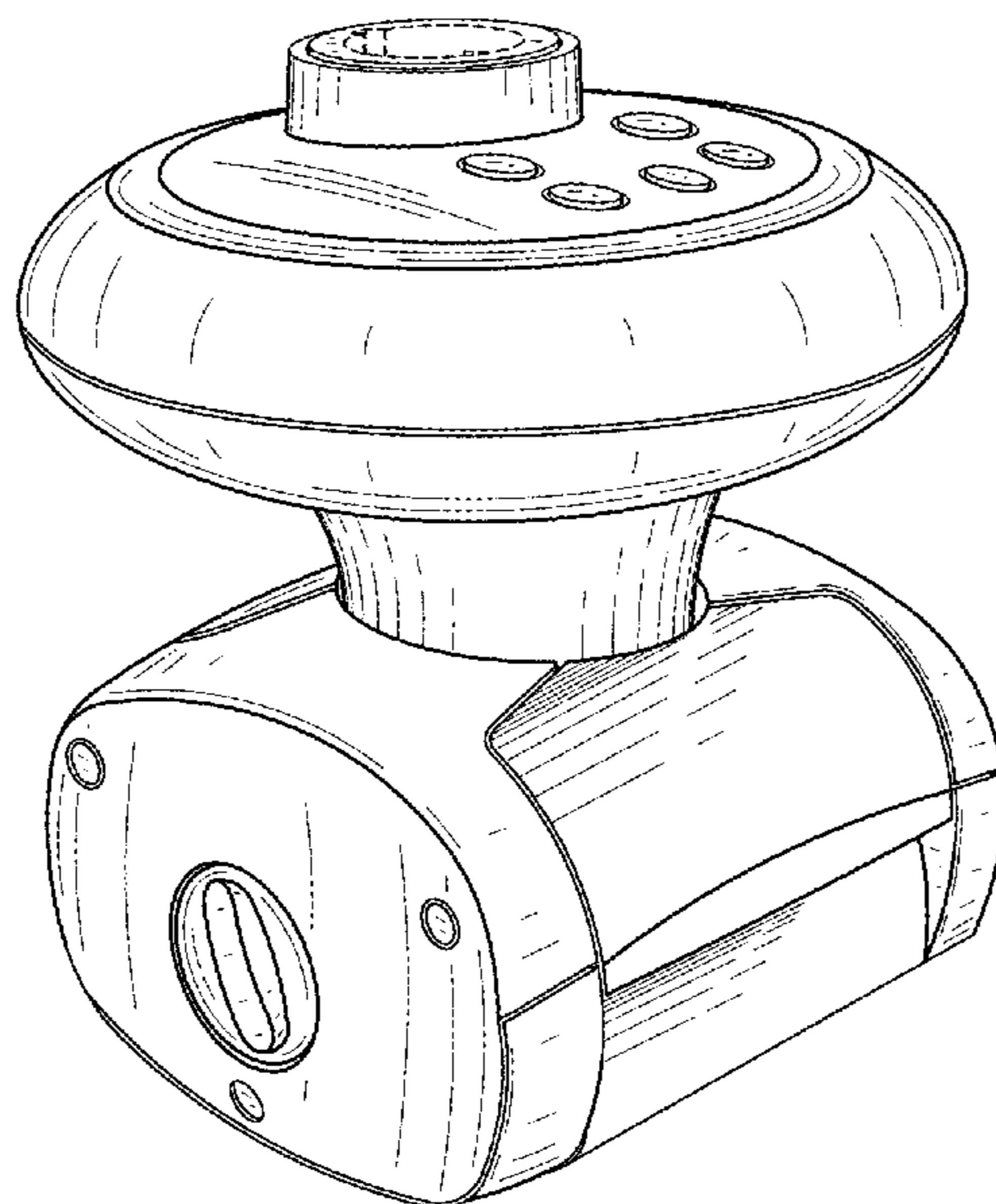
(57) **CLAIM**

The ornamental design for a massage appliance, as shown and described.

DESCRIPTION

FIG. 1 is a front perspective view of a massage appliance illustrating my new design;
FIG. 2 is a front view thereof;
FIG. 3 is a rear view thereof;
FIG. 4 is a right side view thereof;
FIG. 5 is a left side view thereof;
FIG. 6 is a top view thereof; and,
FIG. 7 is a bottom view thereof.

1 Claim, 7 Drawing Sheets



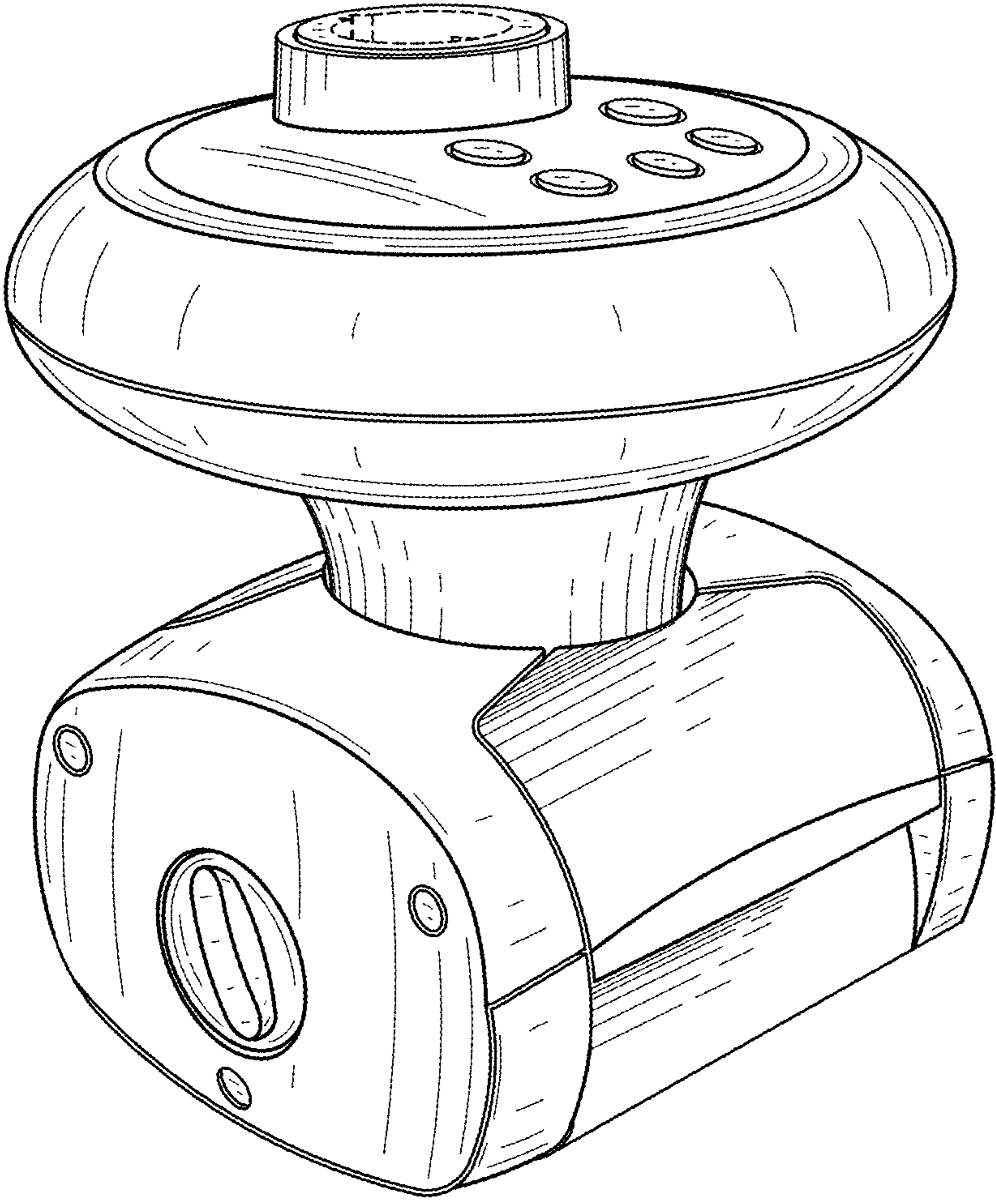


FIG. 1

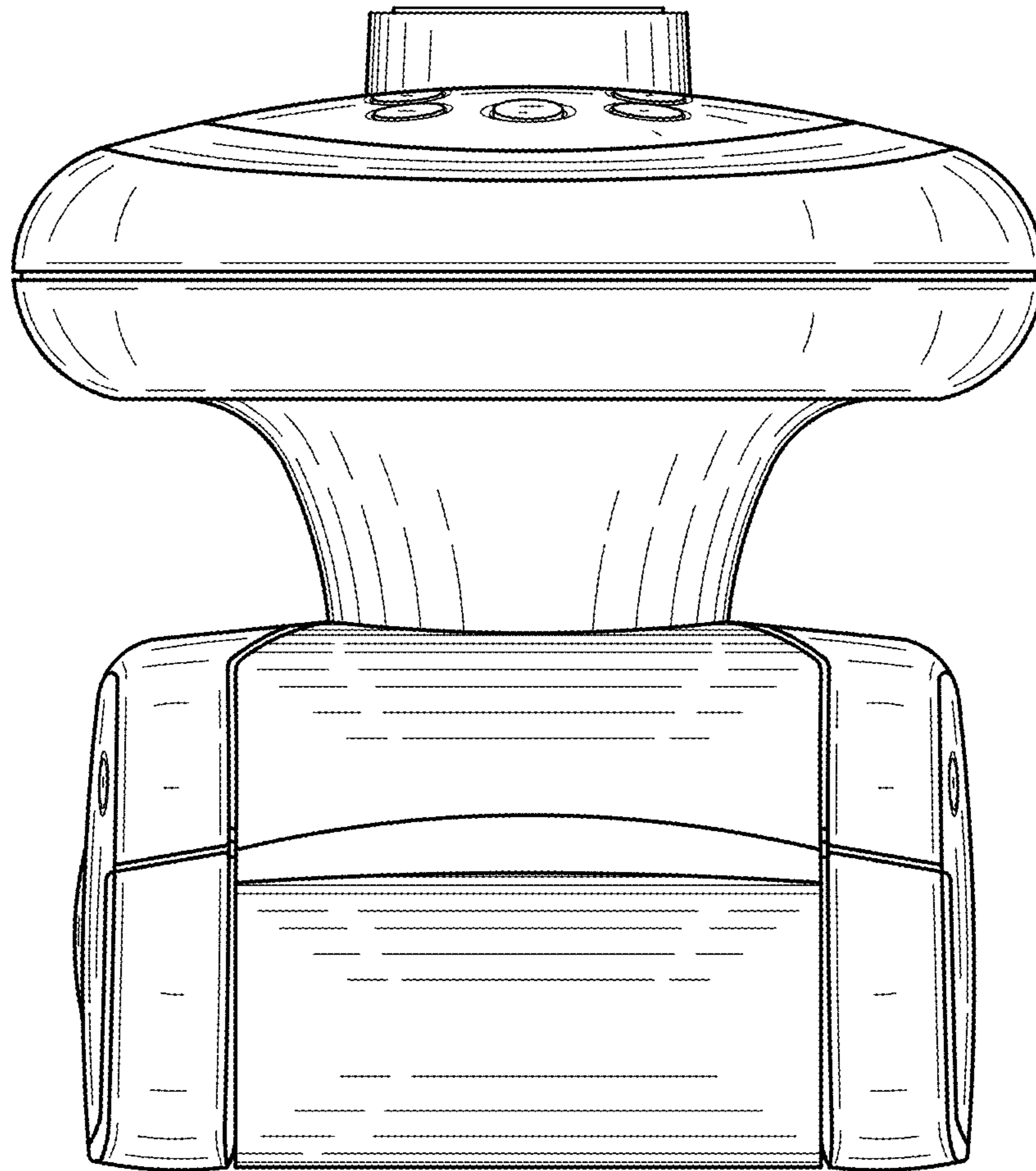


FIG. 2

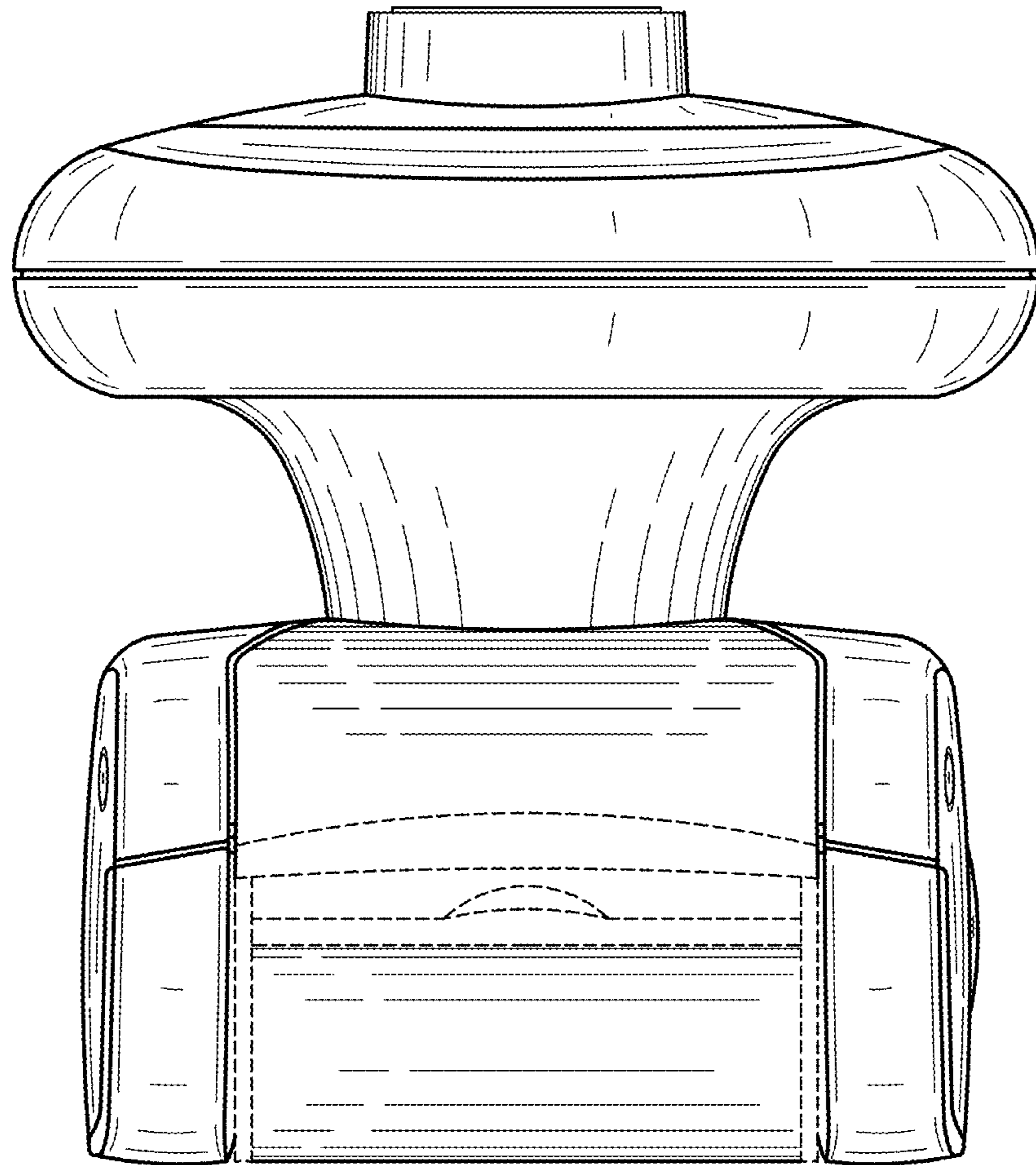


FIG. 3

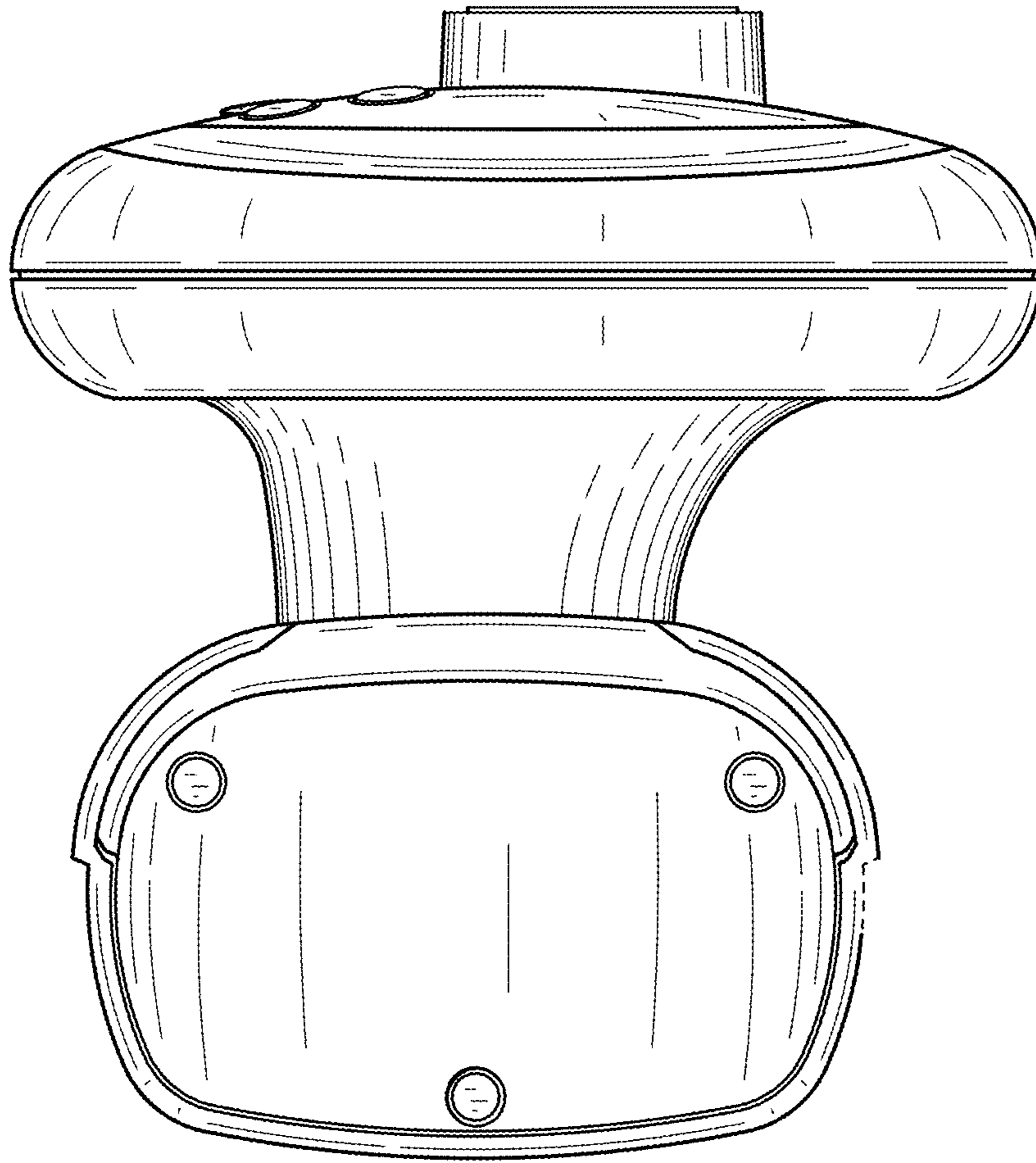


FIG. 4

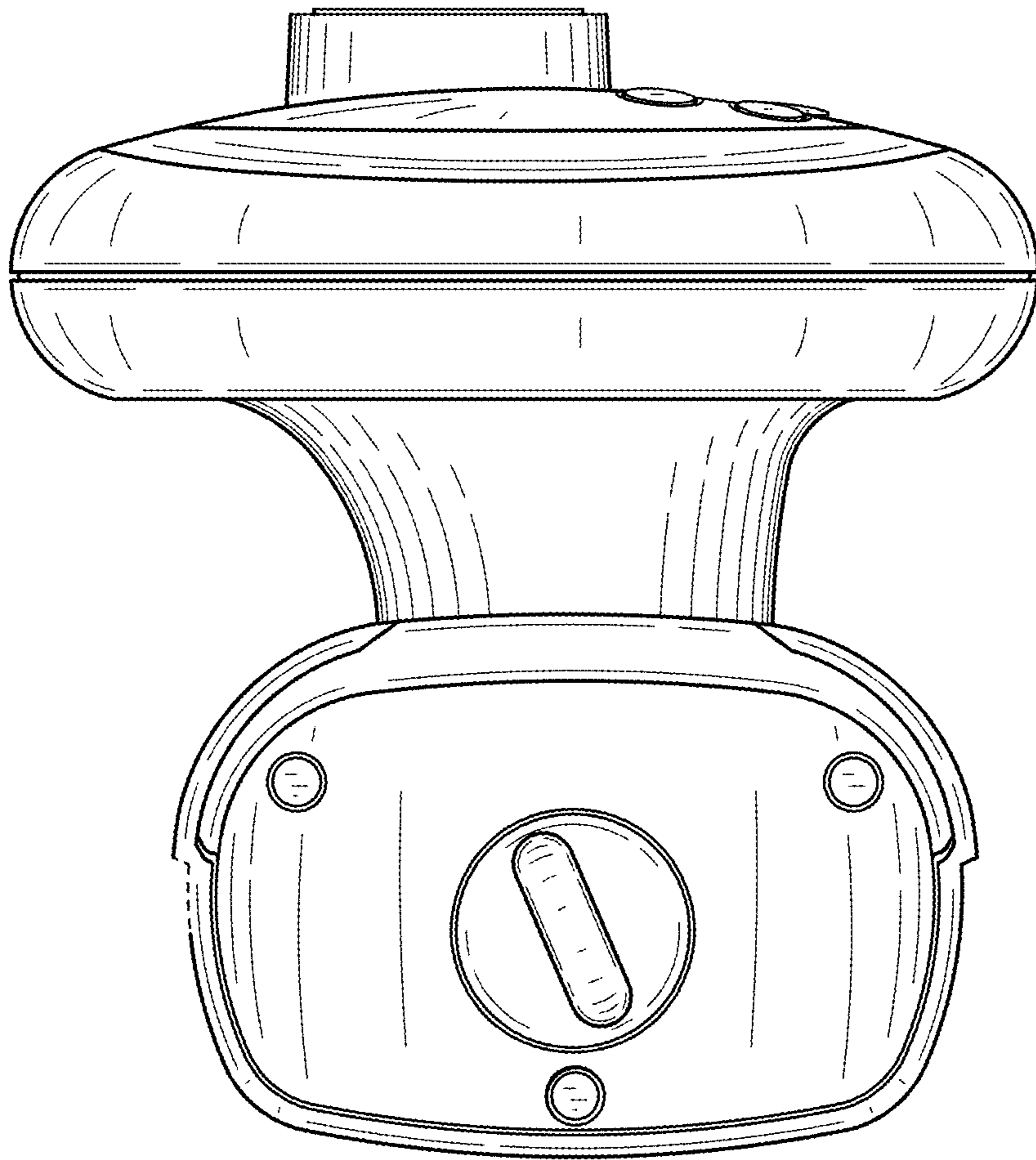


FIG. 5

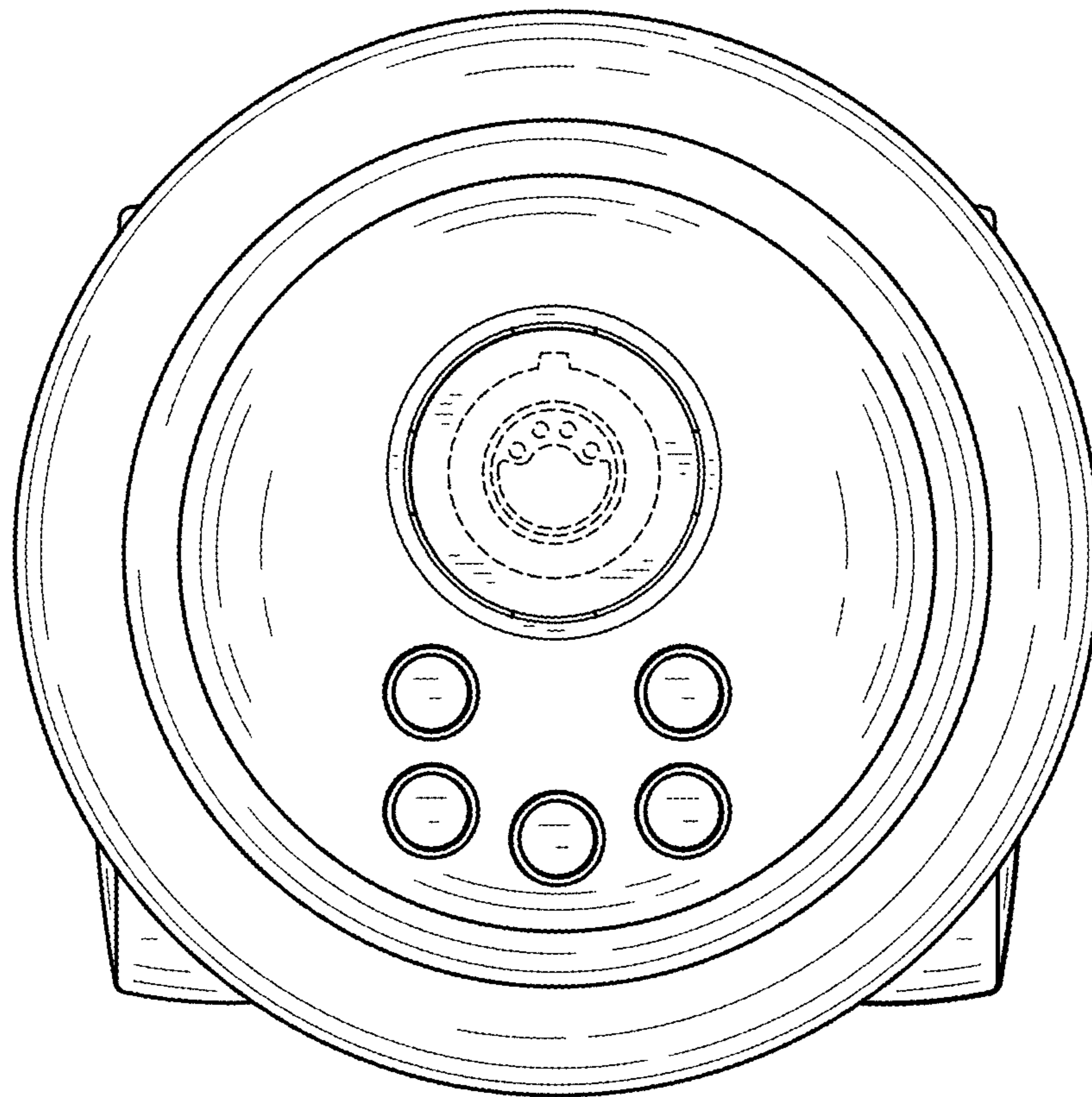


FIG. 6

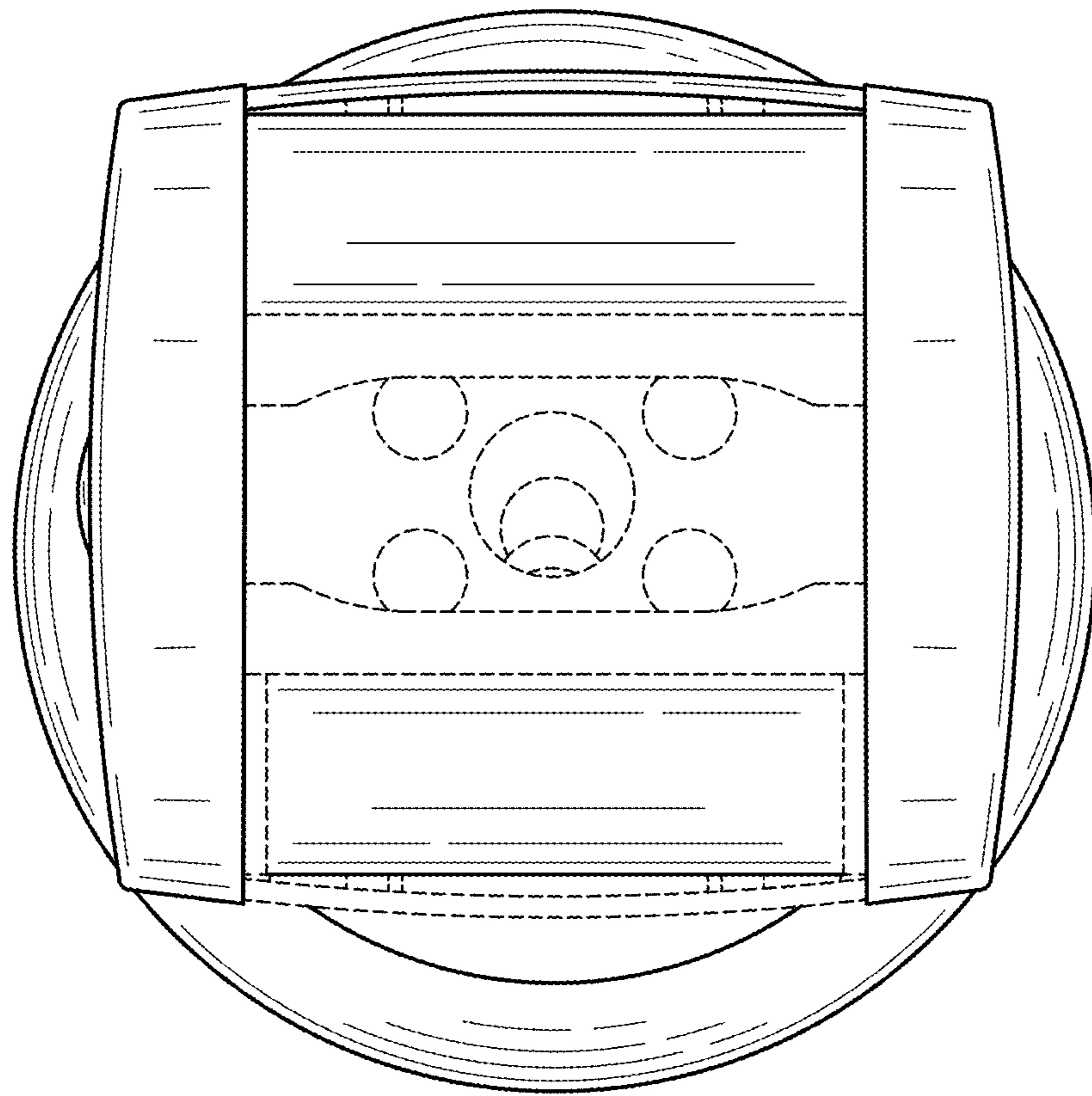


FIG. 7