



US00D865975S

(12) **United States Design Patent**  
**Cochran**

(10) **Patent No.:** **US D865,975 S**

(45) **Date of Patent:** **\*\* Nov. 5, 2019**

(54) **NASAL CAST BENDER**

(71) Applicant: **Spencer Cochran**, Dalls, TX (US)

(72) Inventor: **Spencer Cochran**, Dalls, TX (US)

(\*\*) Term: **15 Years**

(21) Appl. No.: **29/609,494**

(22) Filed: **Jun. 30, 2017**

(51) **LOC (12) Cl.** ..... **24-04**

(52) **U.S. Cl.**  
USPC ..... **D24/188**

(58) **Field of Classification Search**

USPC ..... D24/110.4, 135, 188, 189, 190; D29/108  
CPC ..... A61F 13/126; A61F 2013/00578; A61F  
2013/00625; A61F 2013/00817; A61F  
5/08; B29C 53/02; B29L 2031/753

See application file for complete search history.

(56) **References Cited**

**U.S. PATENT DOCUMENTS**

D352,783 S \* 11/1994 Doyle ..... D24/190  
D592,358 S \* 5/2009 Masliantchouk ..... D29/108  
D777,905 S \* 1/2017 Wolf ..... D24/110.4  
2016/0374846 A1 \* 12/2016 Valinia ..... A61F 5/08  
606/204.45  
2018/0193201 A1 \* 7/2018 Singh ..... A61F 13/122  
2018/0361649 A1 \* 12/2018 Cochran ..... B29C 53/02

**OTHER PUBLICATIONS**

Torino Michael ANgelo David Plaster Cast Face Set, reviewed on Amazon Sep. 2016, viewed online Mar. 6, 2019. Available at URL:

[https://www.amazon.com/Michael-Angelo-Plaster-ARTIST-classroom/dp/B019JZY5B6/ref=sr\\_1\\_1?keywords=plaster+cast+nose&qid=1551920653&s=arts-crafts&sr=1-1-catcorr.\\*](https://www.amazon.com/Michael-Angelo-Plaster-ARTIST-classroom/dp/B019JZY5B6/ref=sr_1_1?keywords=plaster+cast+nose&qid=1551920653&s=arts-crafts&sr=1-1-catcorr.*)

\* cited by examiner

*Primary Examiner* — Jennifer L Watkins

(57) **CLAIM**

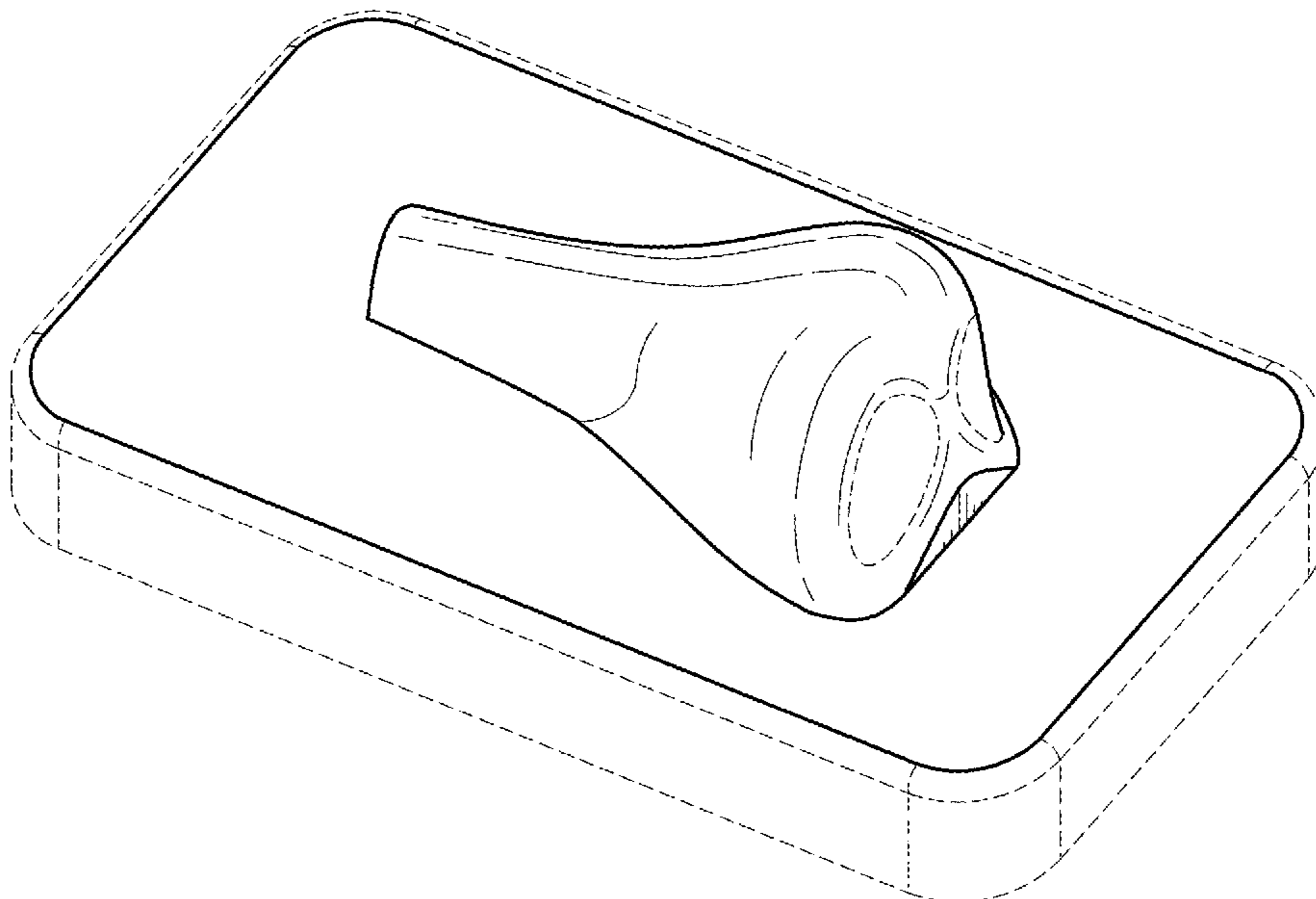
I claim the ornamental design for a nasal cast bender, as shown and described.

**DESCRIPTION**

FIG. 1 is a front perspective view of a nasal cast bender in accordance with my new design;  
FIG. 2 is a front elevation view thereof;  
FIG. 3 is a back elevation view thereof;  
FIG. 4 is a bottom elevation view thereof;  
FIG. 5 is a top elevation view thereof;  
FIG. 6 is a side elevation view thereof  
FIG. 7 is a side elevation view thereof, for the side opposite that of FIG. 6;  
FIG. 8 is a perspective view of another embodiment of a nasal cast bender in accordance with my new design;  
FIG. 9 is a front elevation view thereof;  
FIG. 10 is a back elevation view thereof;  
FIG. 11 is a bottom elevation view thereof;  
FIG. 12 is a top elevation view thereof;  
FIG. 13 is a side elevation view thereof; and,  
FIG. 14 is a side elevation view thereof, for the side opposite that of FIG. 13.

The broken lines shown in the drawings are only provided to illustrate the environment of the design, and form no part of the claimed design.

**1 Claim, 10 Drawing Sheets**



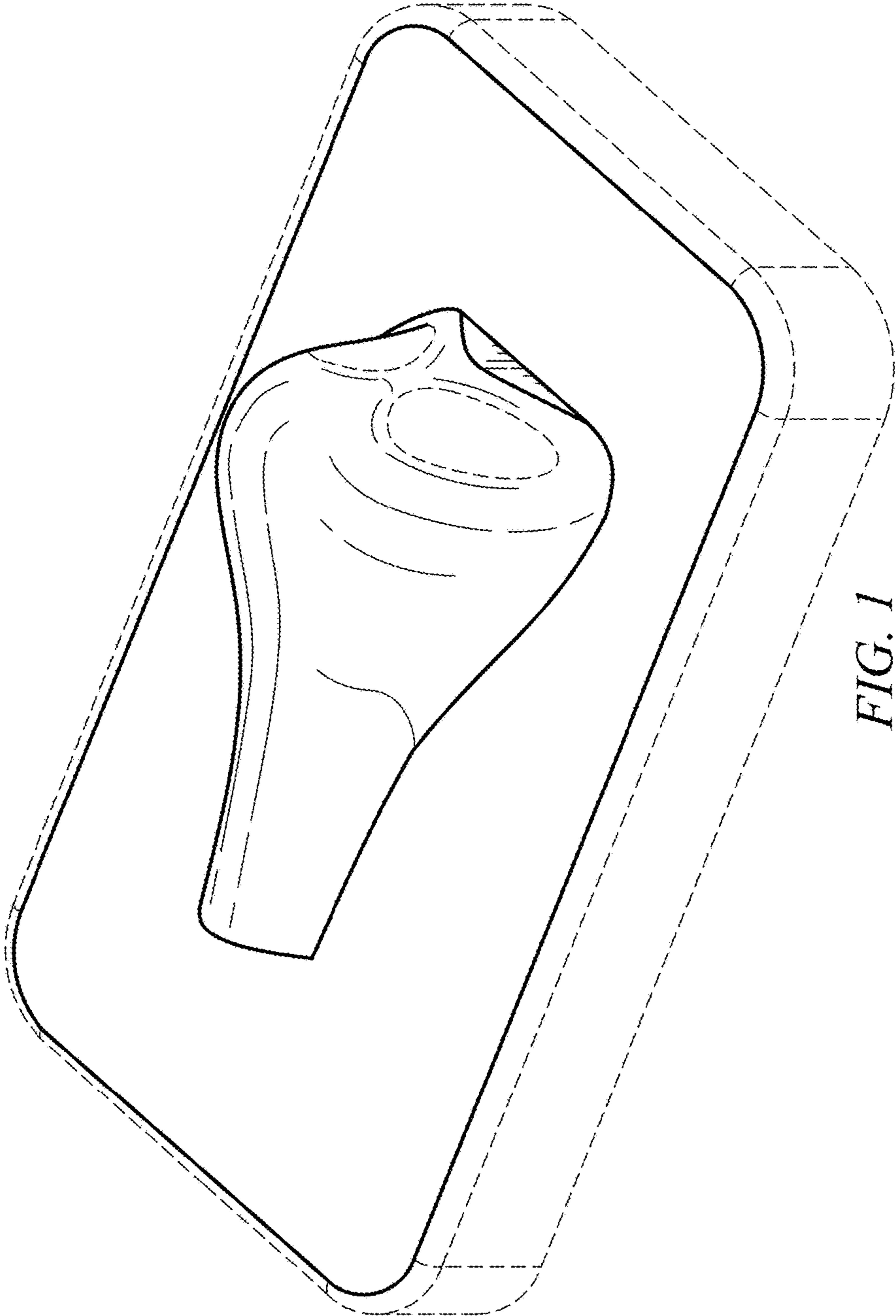


FIG. 1

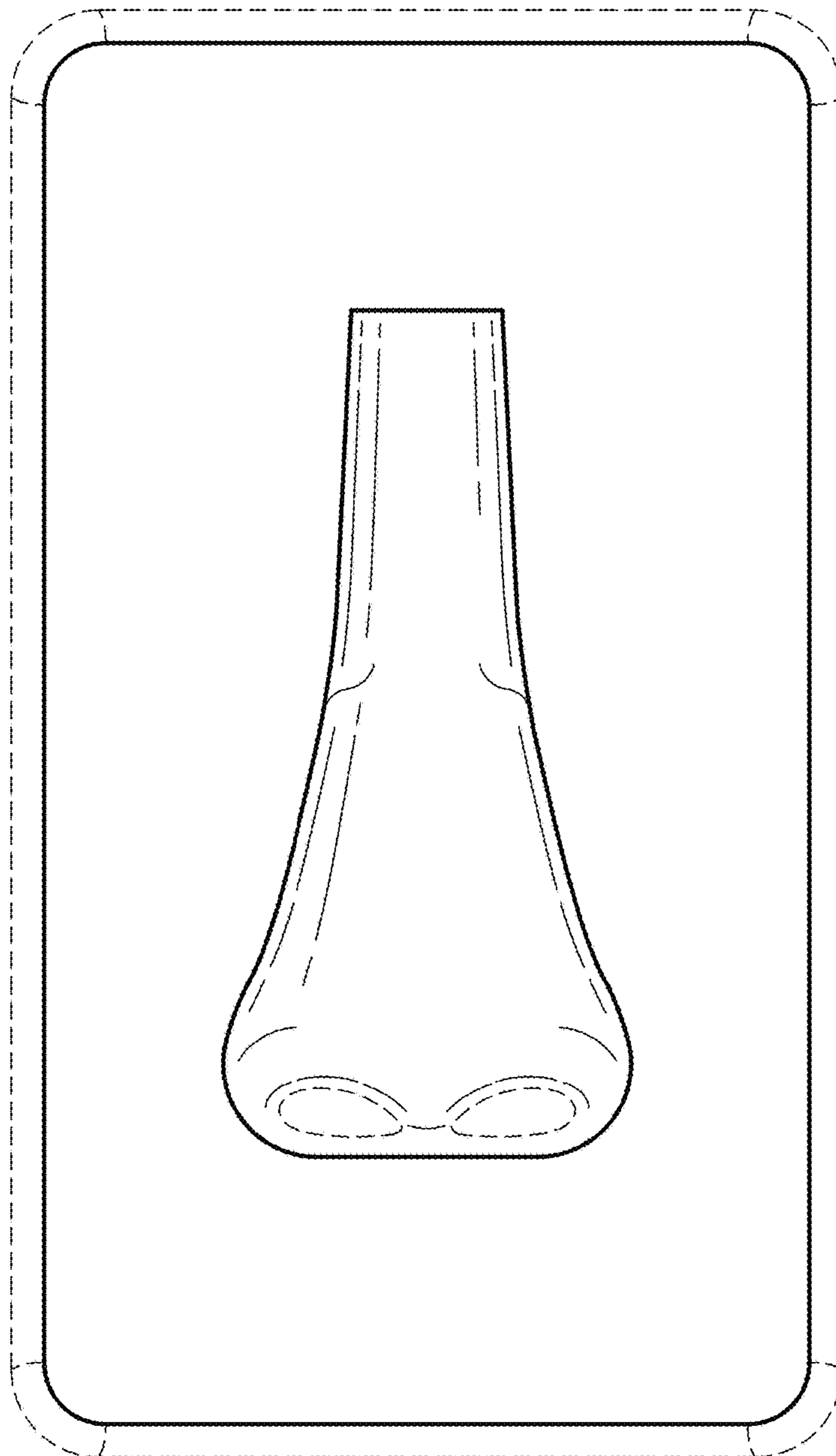
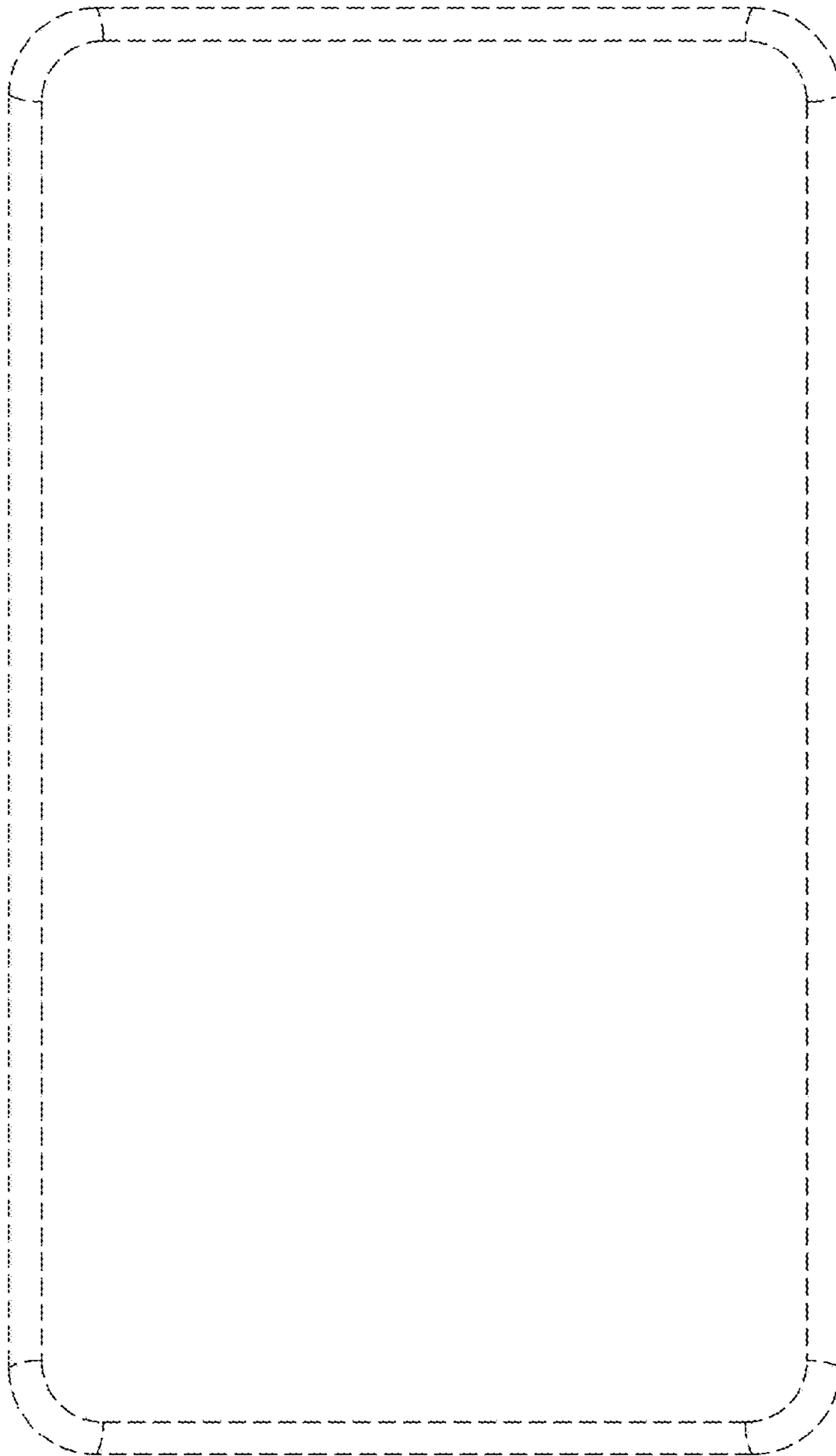
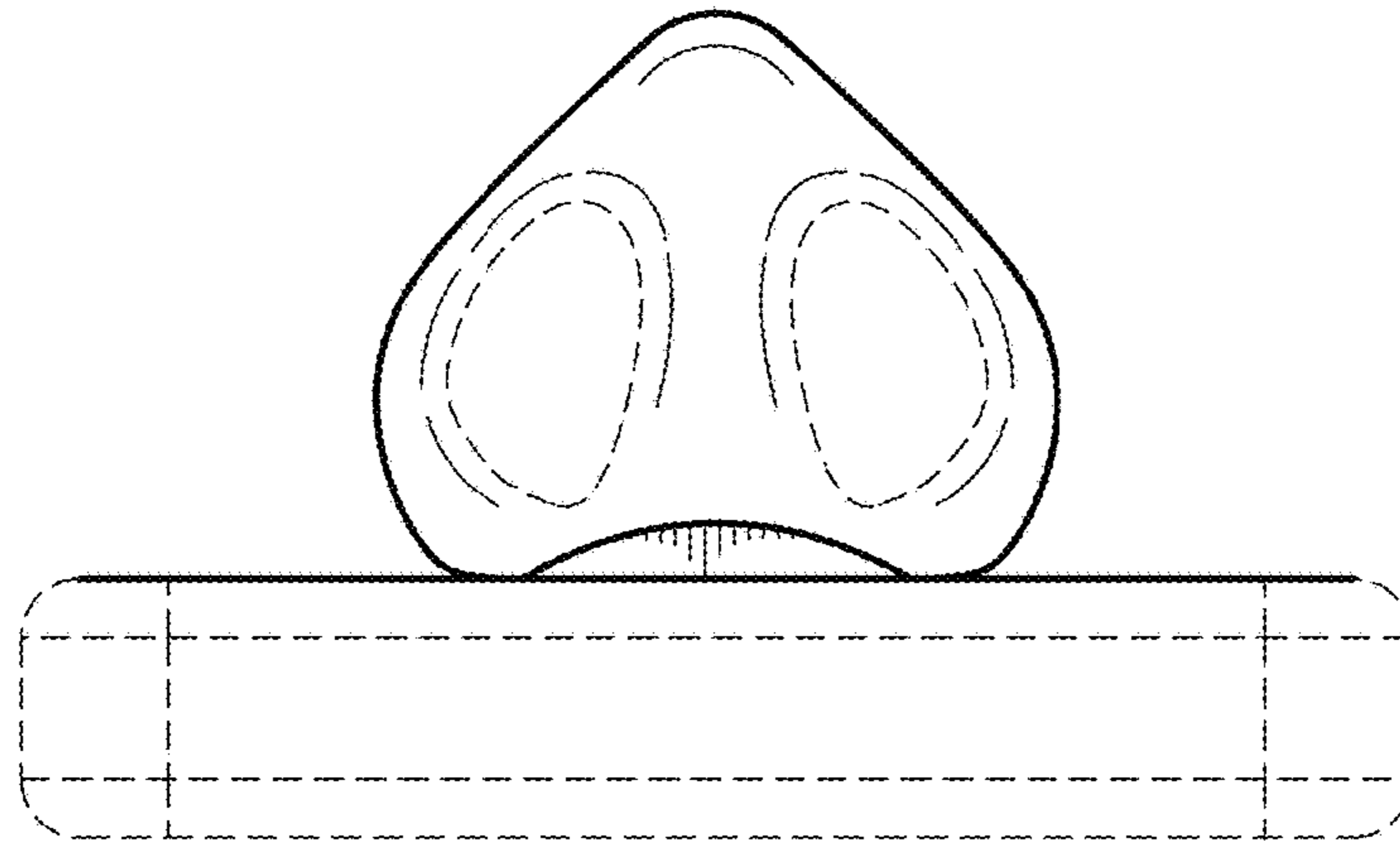


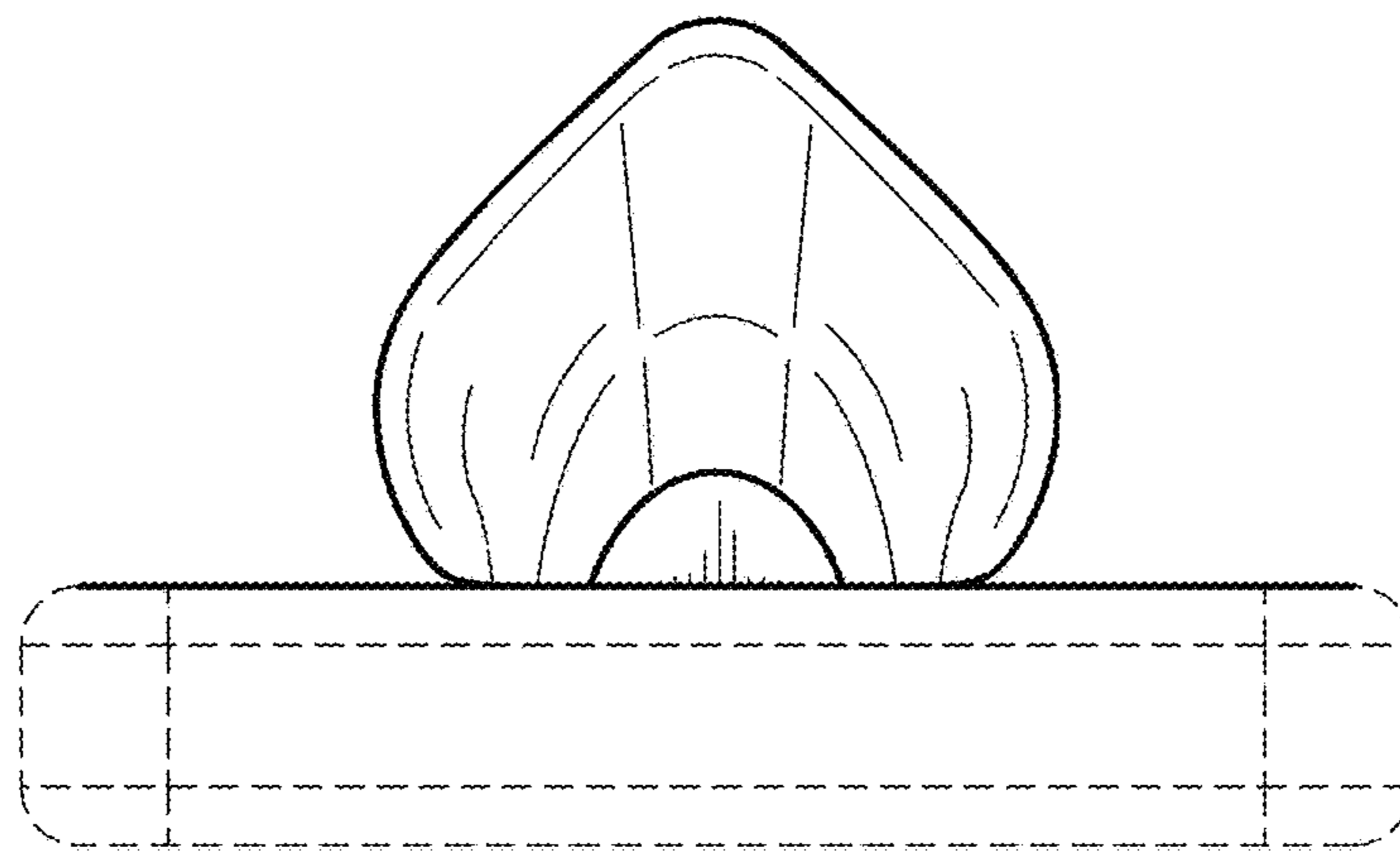
FIG. 2



*FIG. 3*



*FIG. 4*



*FIG. 5*

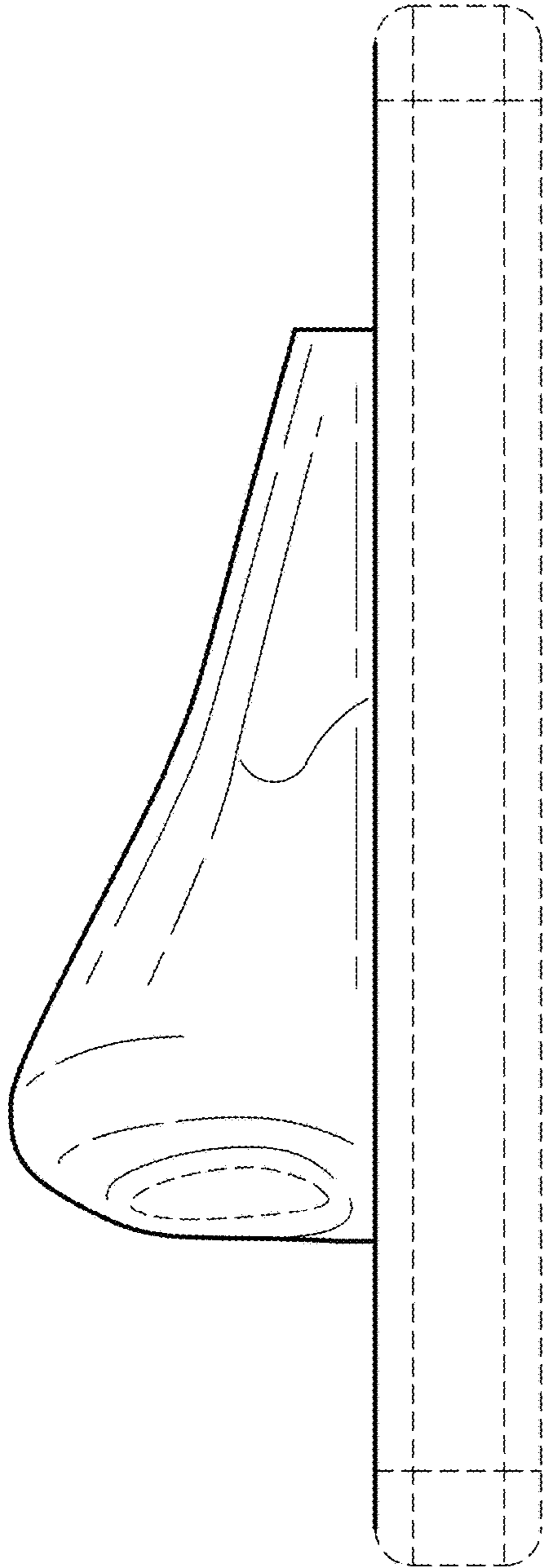


FIG. 6

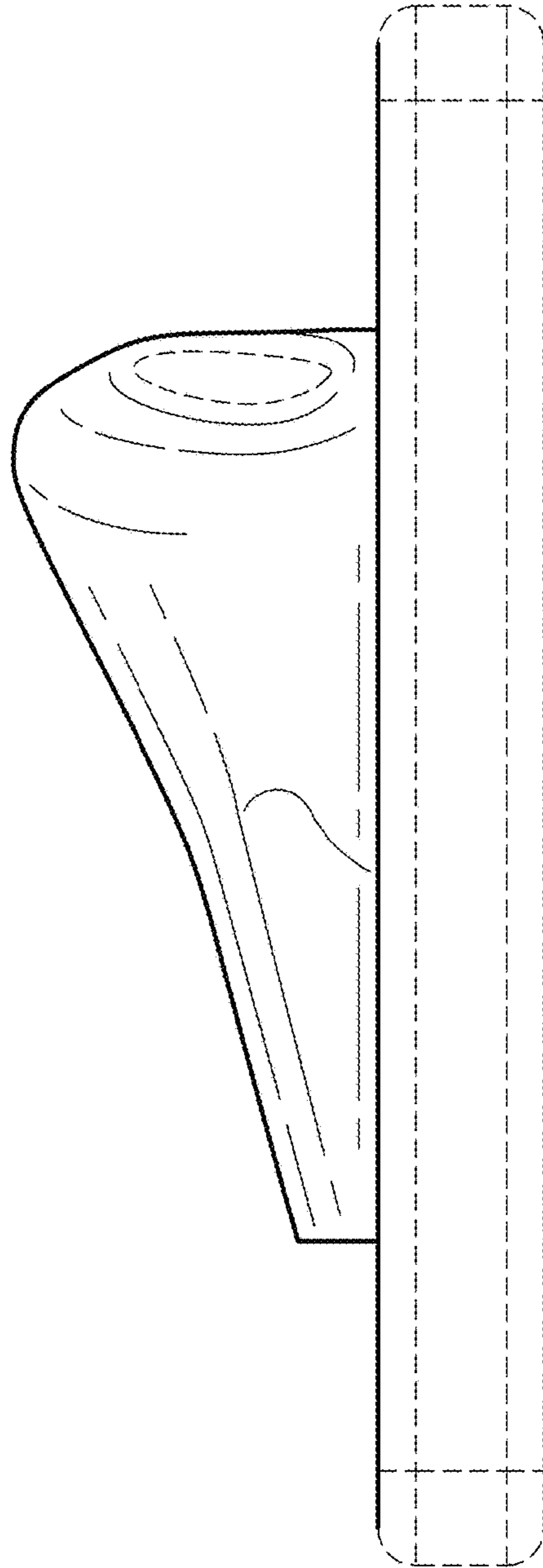


FIG. 7

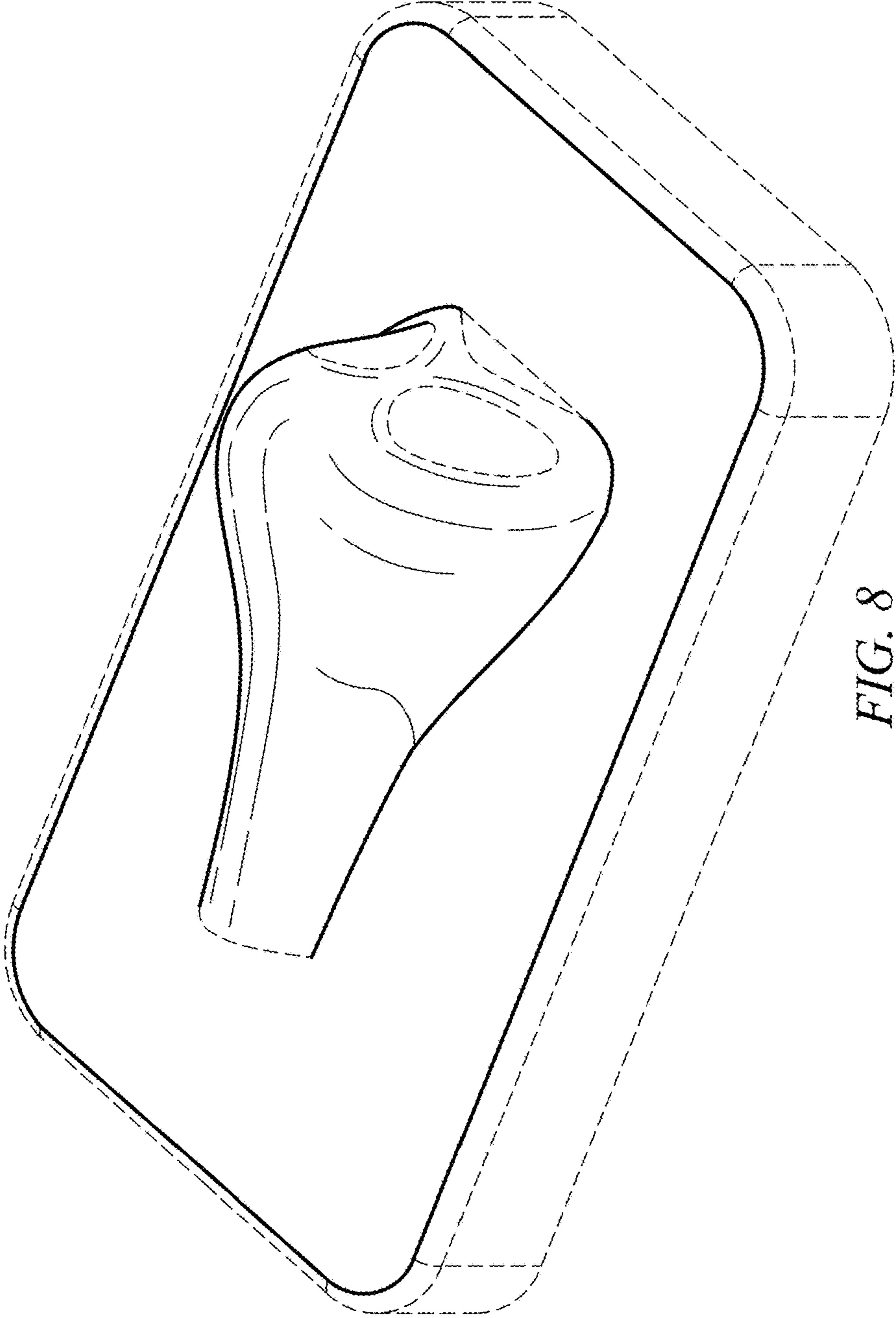
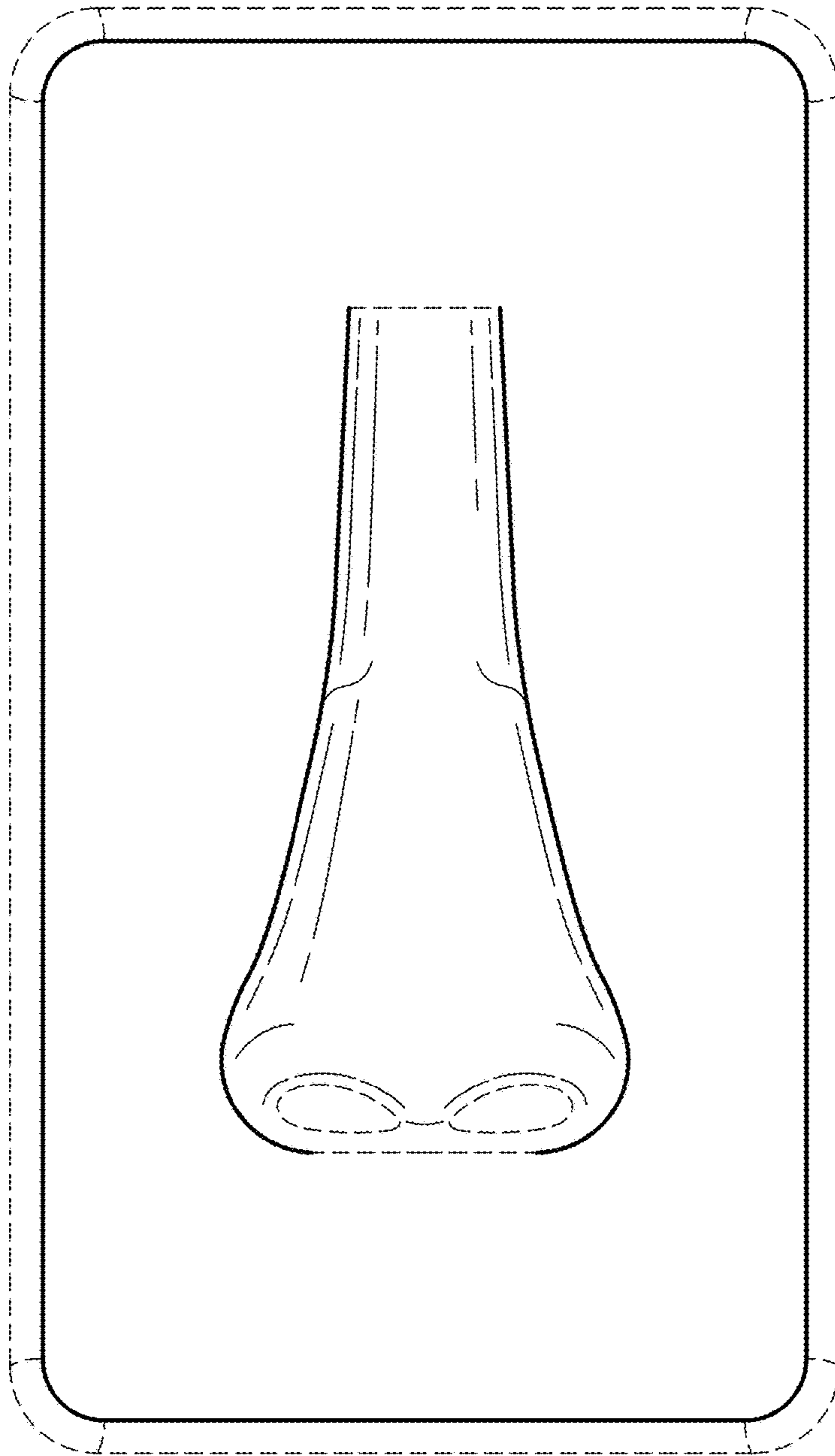
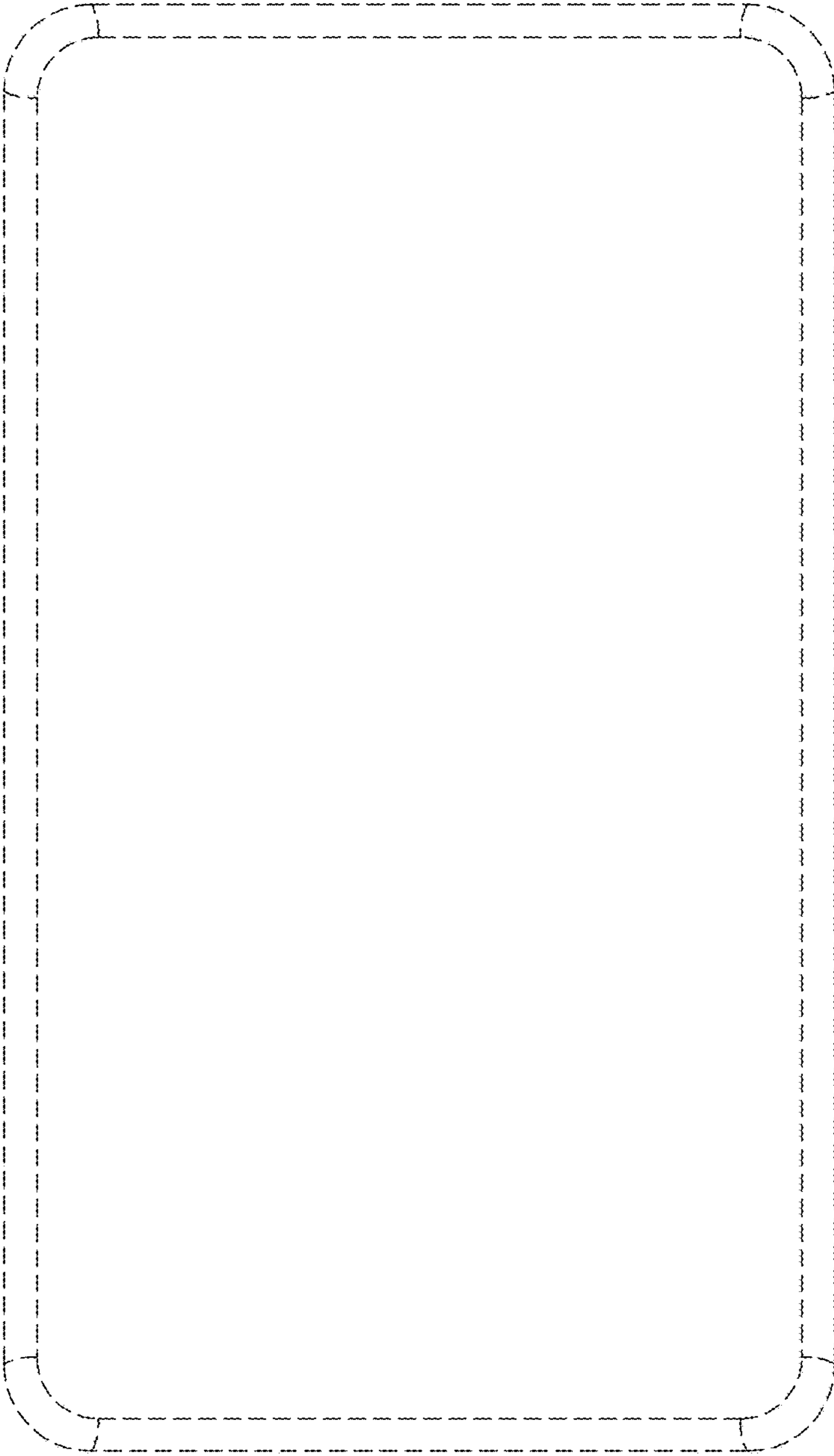


FIG. 8

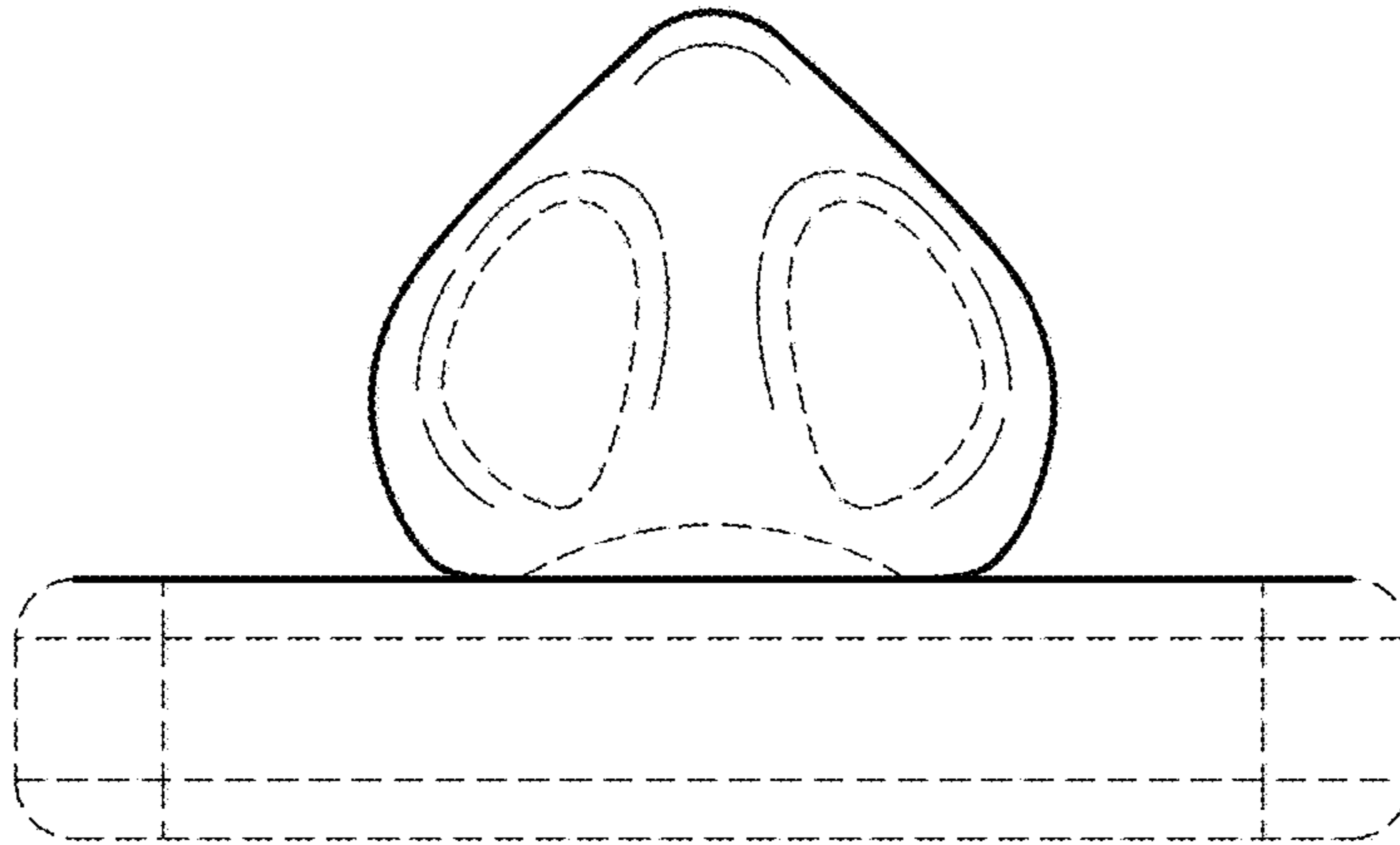


*FIG. 9*

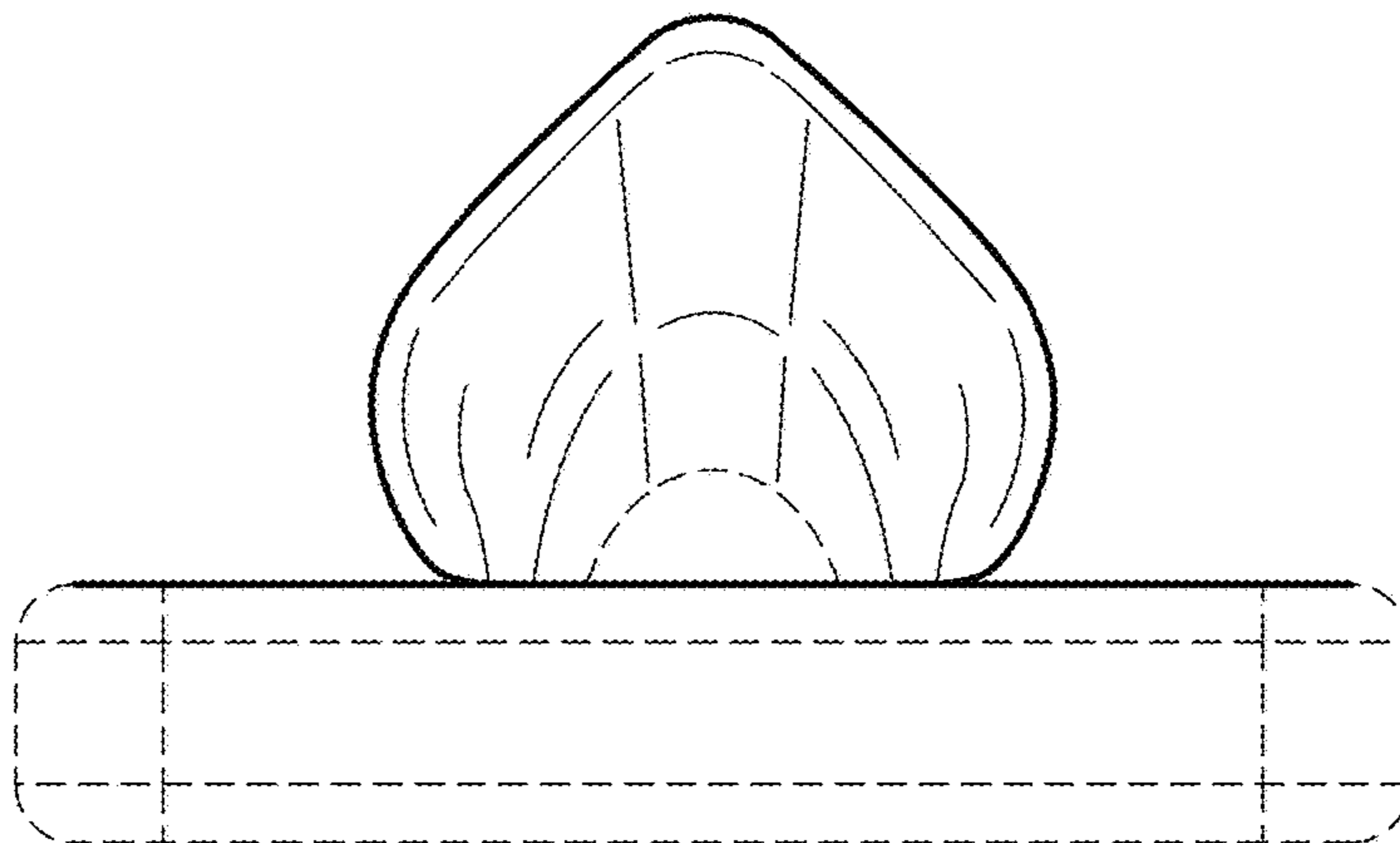




*FIG. 10*



*FIG. 11*



*FIG. 12*

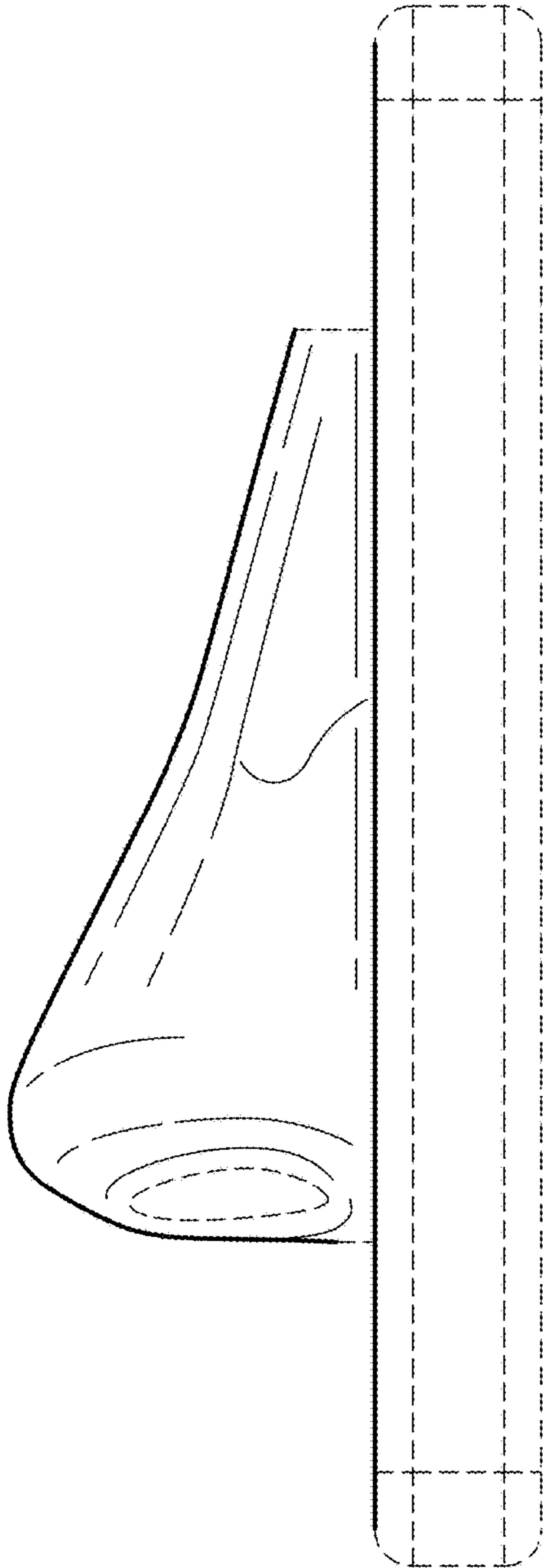


FIG. 13

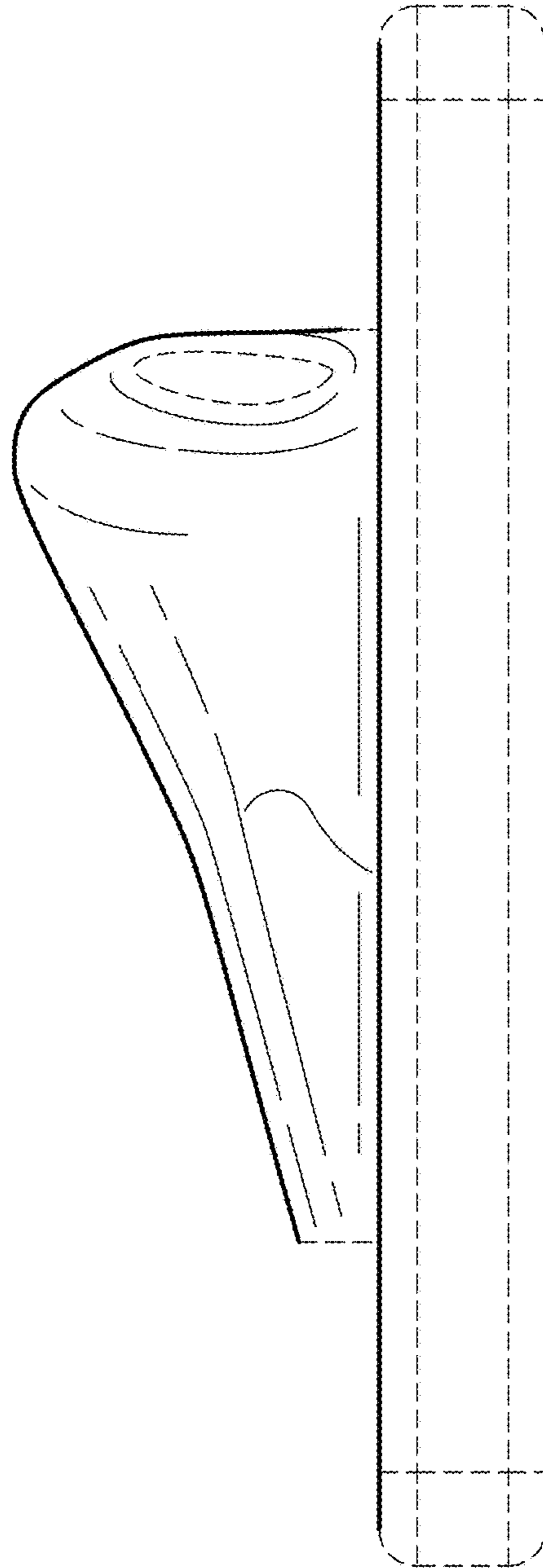


FIG. 14