



US00D865973S

(12) **United States Design Patent** (10) **Patent No.:** **US D865,973 S**  
**Chamberlain et al.** (45) **Date of Patent:** **\*\* Nov. 5, 2019**

(54) **ULTRASOUND PROBE**

FOREIGN PATENT DOCUMENTS

(71) Applicant: **FUJIFILM SonoSite, Inc.**, Bothell, WA (US)

CN 201830369577.9 \* 7/2018

(72) Inventors: **Craig Chamberlain**, Seattle, WA (US);  
**Ben Dekock**, Snohomish, WA (US);  
**Patrick Nally**, Seattle, WA (US);  
**James Arthur Young**, Snohomish, WA (US)

OTHER PUBLICATIONS

Siemens 4c1 Ultrasound Transducer. Online, published date unknown. Retrieved on May 30, 2019 from URL: <https://www.absolutemed.com/siemens/>.\*

(73) Assignee: **FUJIFILM SONOSITE, INC.**, Bothell, WA (US)

\* cited by examiner

(\*\*) Term: **15 Years**

*Primary Examiner* — Susan Bennett Hattan

*Assistant Examiner* — Omeed Agilee

(21) Appl. No.: **29/641,967**

(74) *Attorney, Agent, or Firm* — Womble Bond Dickinson (US) LLP

(22) Filed: **Mar. 26, 2018**

(51) **LOC (12) Cl.** ..... **24-02**

(52) **U.S. Cl.**  
USPC ..... **D24/187**

(58) **Field of Classification Search**  
USPC ..... D24/133, 137, 138, 141, 158, 160, 164,  
D24/165, 167, 170, 186, 187, 200;  
D10/57, 60, 78, 80

CPC ... A61B 5/0095; A61B 8/4444; A61B 8/4455;  
G01S 7/5208

See application file for complete search history.

(56) **References Cited**

U.S. PATENT DOCUMENTS

D389,918 S *	1/1998	Ninomiya	.....	D24/186
D703,330 S *	4/2014	Saeki	.....	D24/187
D703,818 S *	4/2014	Moon	.....	D24/187
D749,224 S *	2/2016	Iritani	.....	D24/187
D770,630 S *	11/2016	Nieminen	.....	D24/187
D811,608 S *	2/2018	Kitayama	.....	D24/187
D822,837 S *	7/2018	Naka	.....	D24/187
D837,390 S *	1/2019	Harada	.....	D24/187
2015/0320402 A1 *	11/2015	Ryu	.....	A61B 8/4411 600/443

(57) **CLAIM**

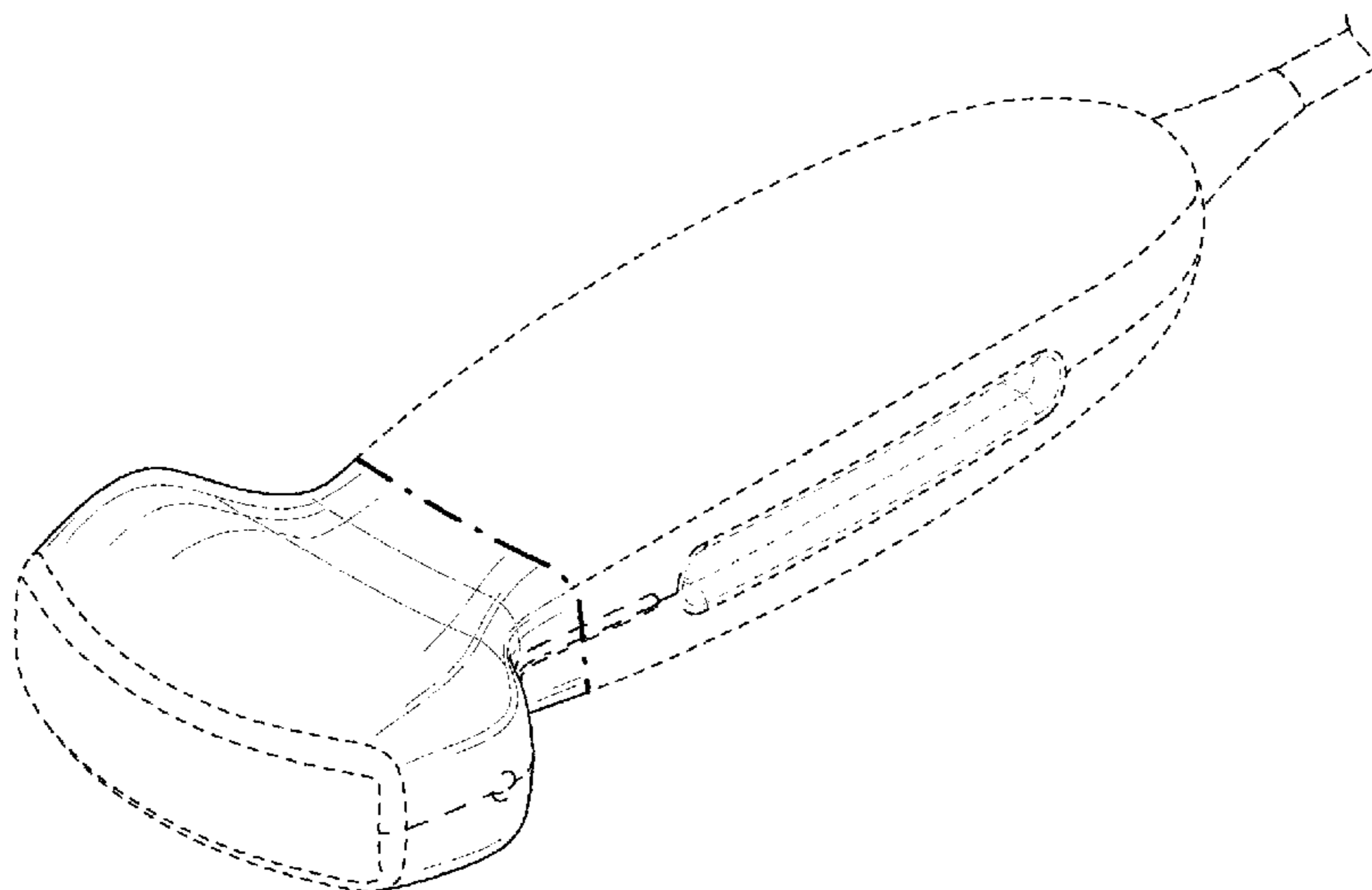
The ornamental design for the ultrasound probe, as shown and described.

**DESCRIPTION**

FIG. 1 is a right, rear isometric view of an ultrasound probe showing our new design;  
FIG. 2 is a left, rear isometric view of an ultrasound probe showing our new design;  
FIG. 3 is a right side elevation view thereof;  
FIG. 4 is a left-side elevation view thereof;  
FIG. 5 is a front elevation view thereof;  
FIG. 6 is a rear elevation view thereof;  
FIG. 7 is a top plan view thereof; and,  
FIG. 8 is a bottom plan view thereof.

The dash lines in the drawings depict portions of the ultrasound probe that form no part of the claimed design. The dash-dot-dash broken line depict the boundary of the claim and form no part thereof.

**1 Claim, 5 Drawing Sheets**



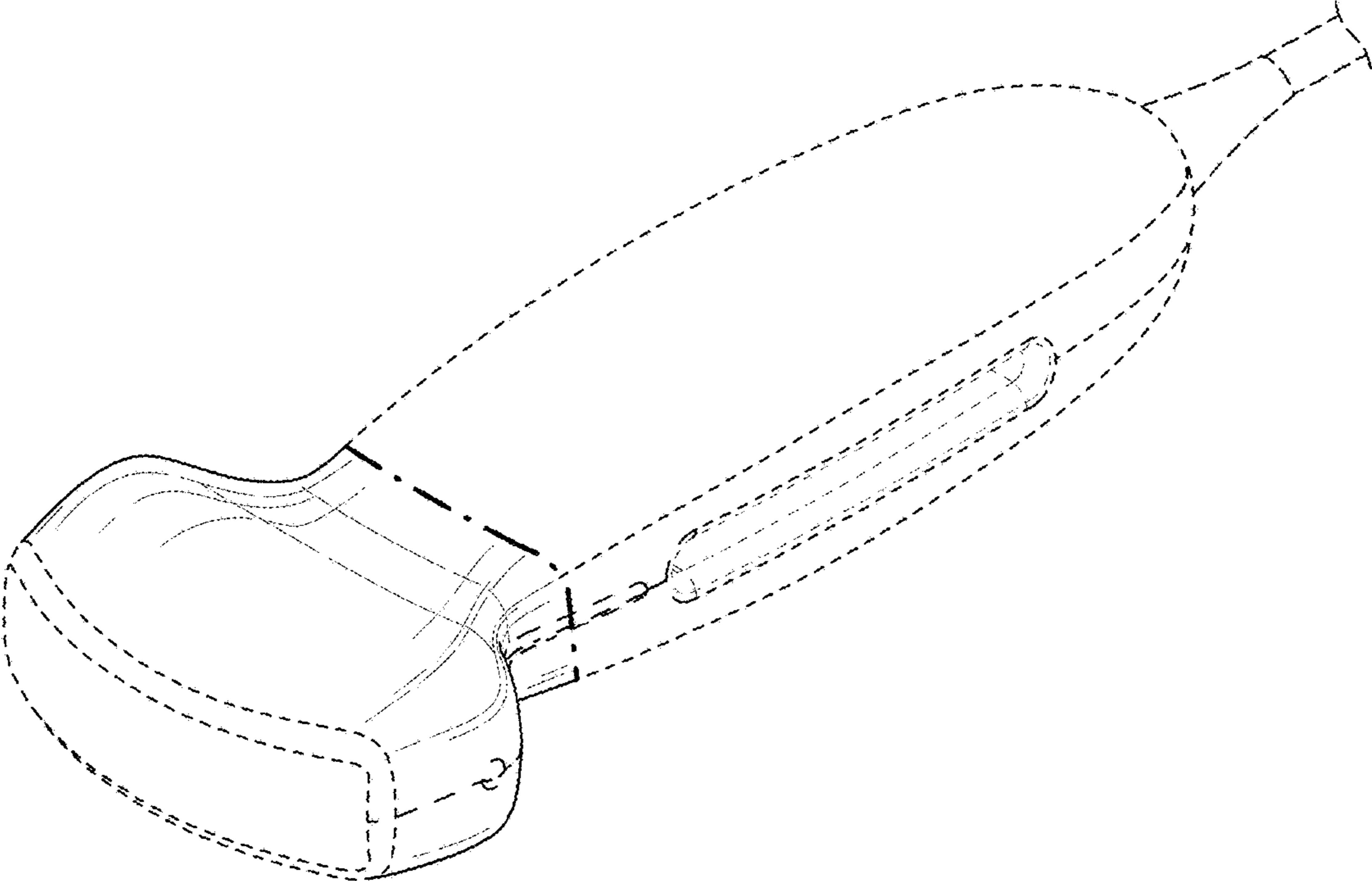


FIG. 1

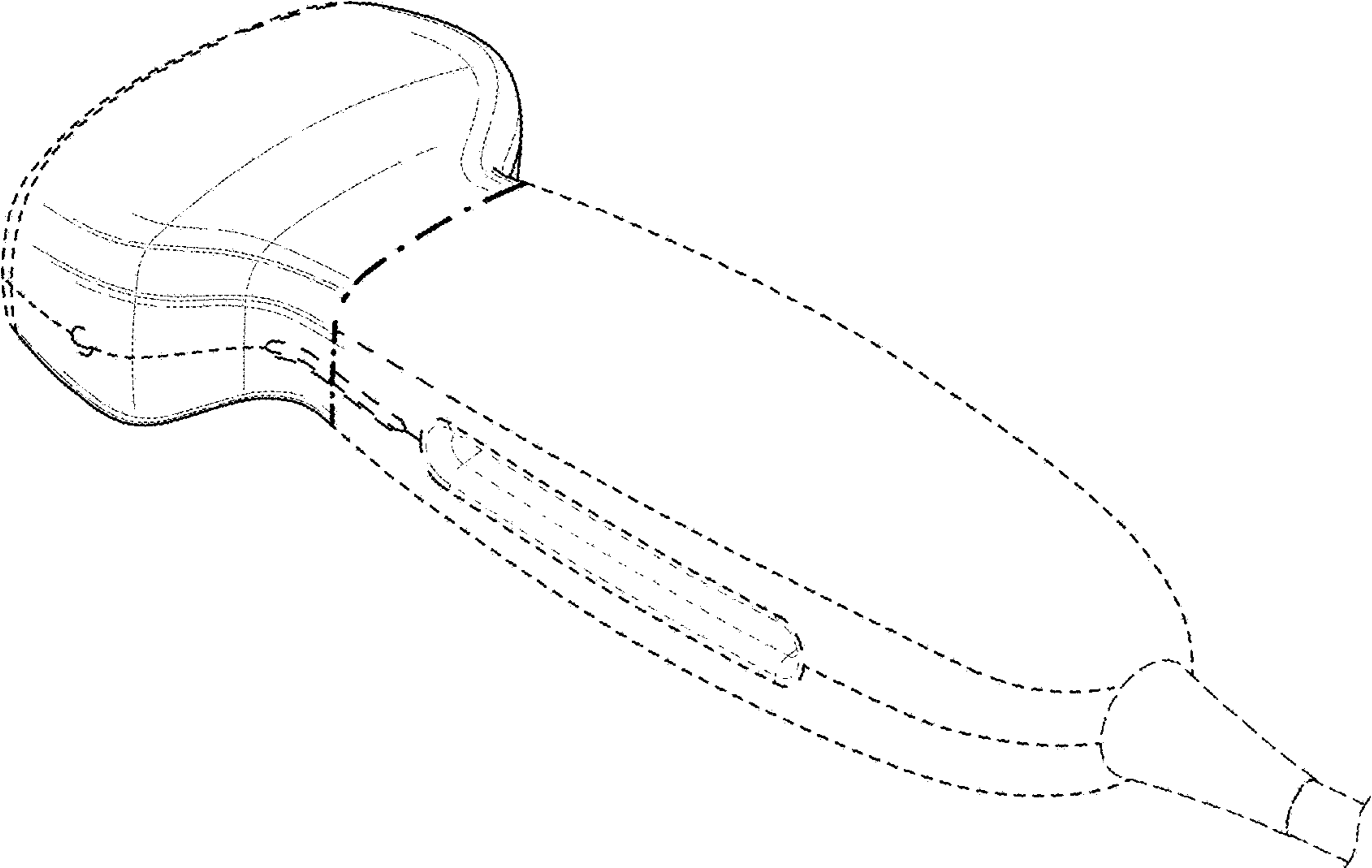


FIG. 2

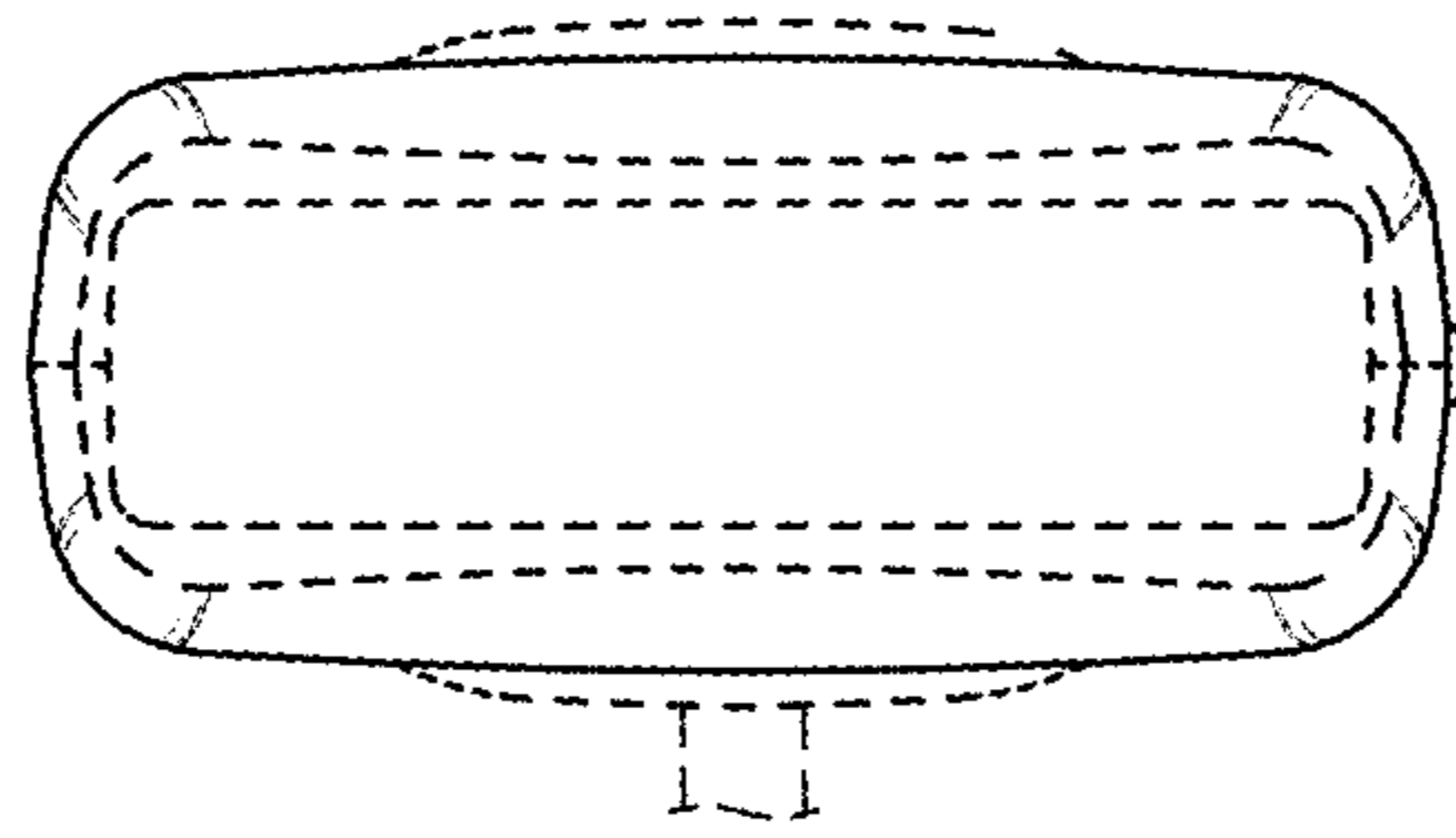


FIG. 3

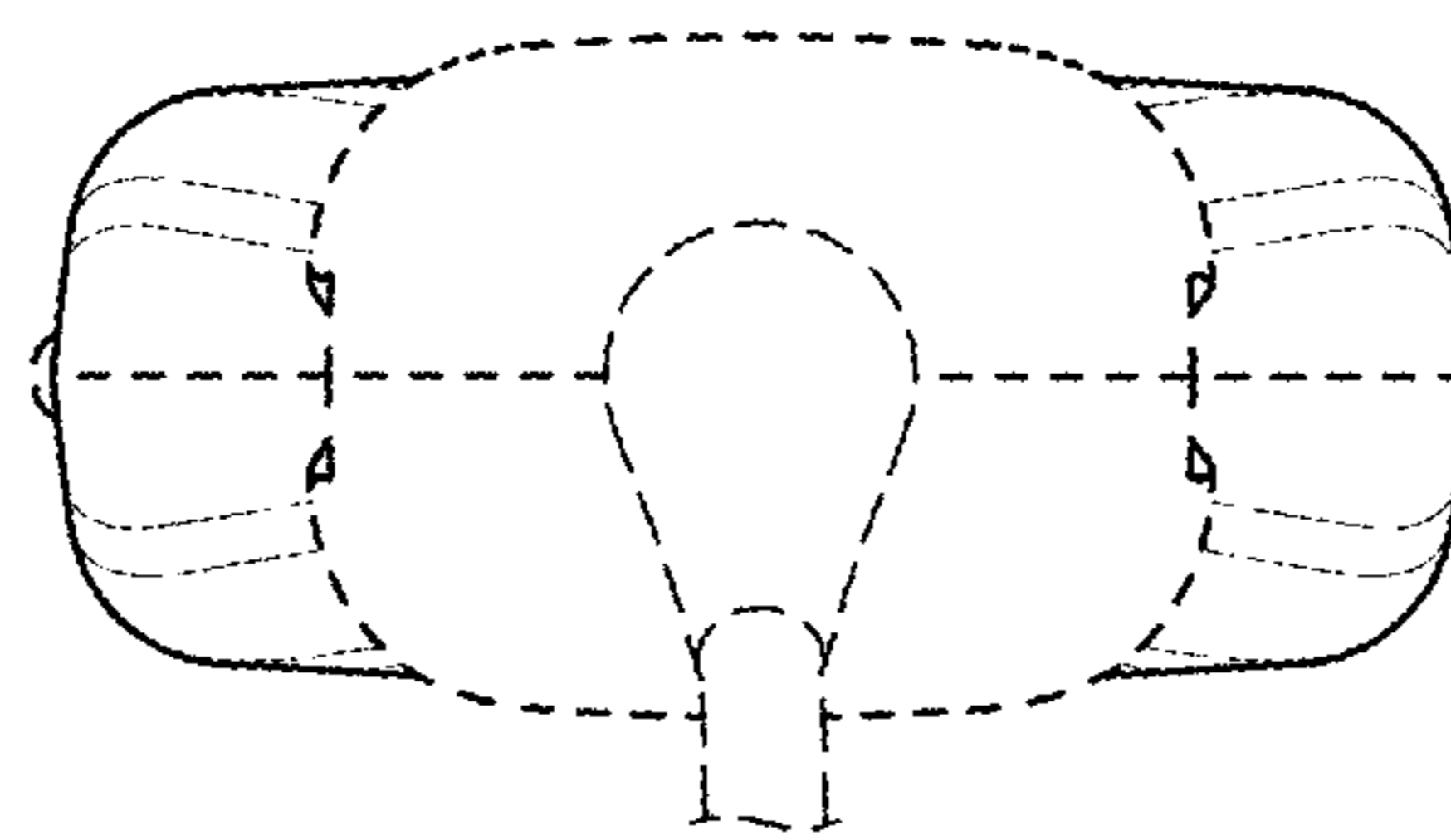


FIG. 4

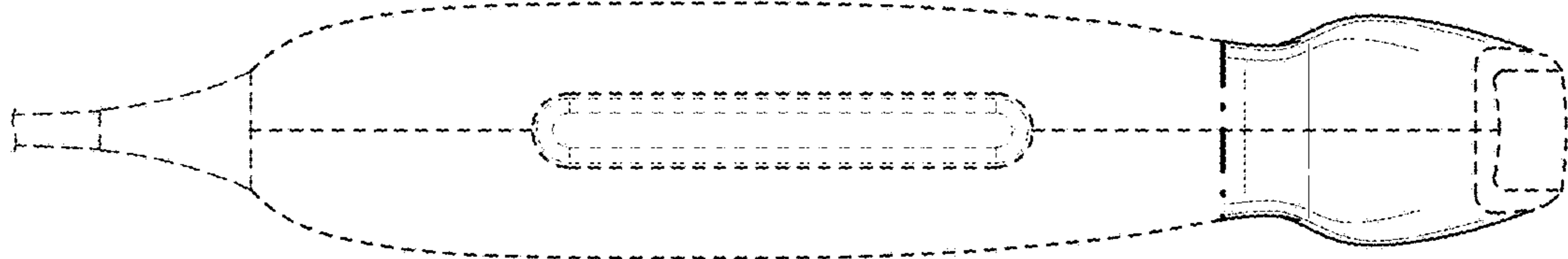


FIG. 5

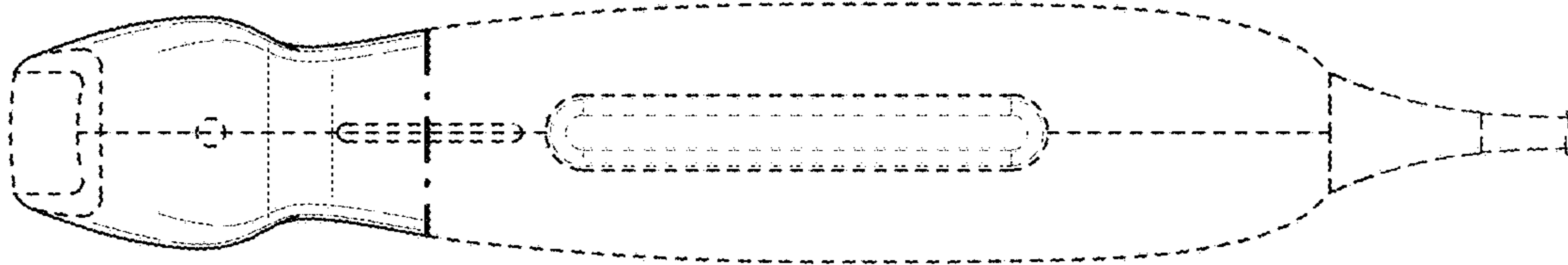


FIG. 6

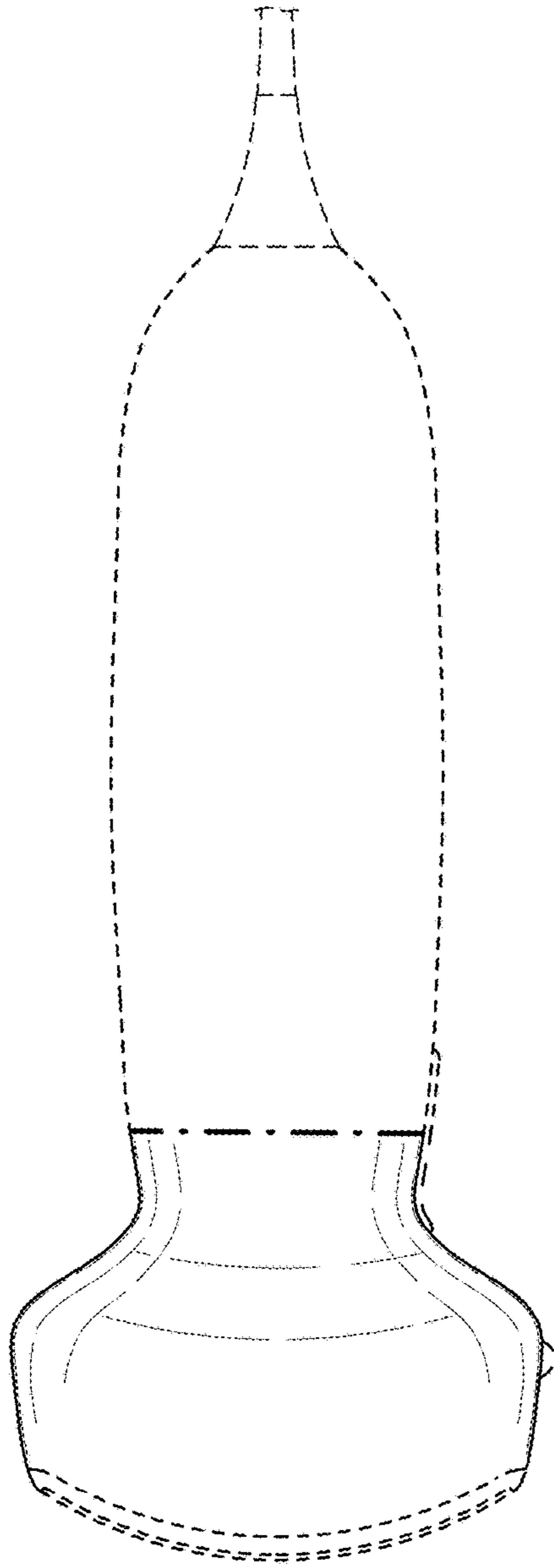


FIG. 7

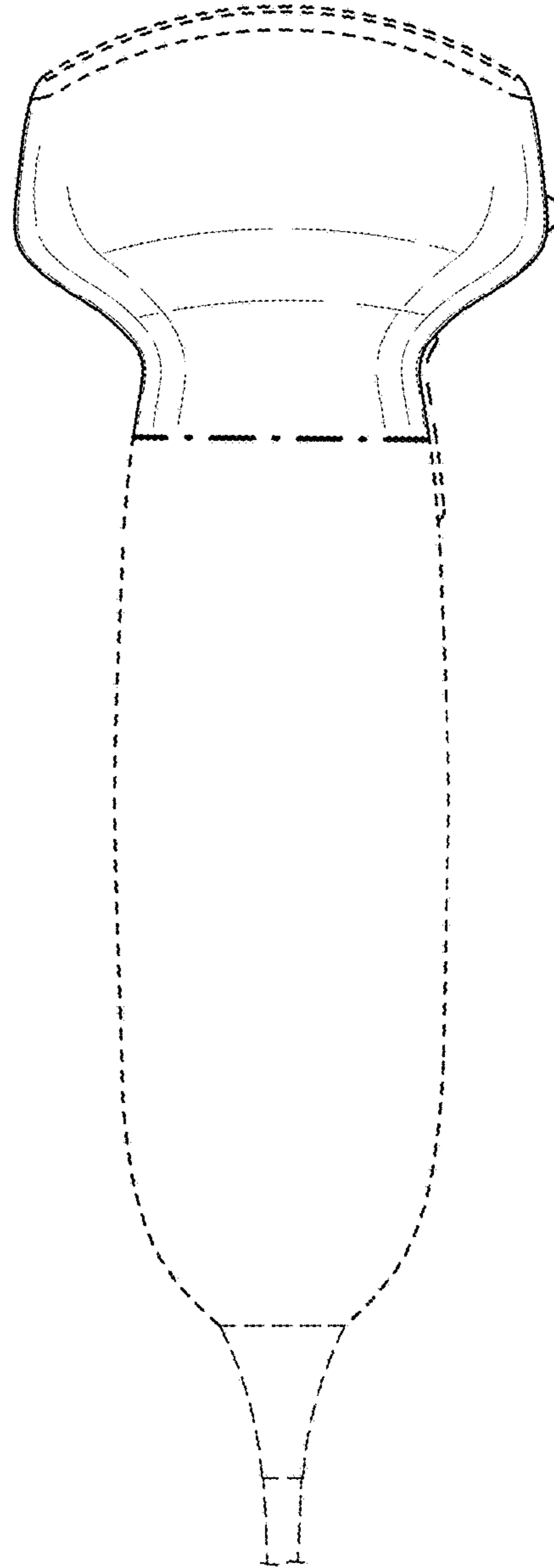


FIG. 8