

US00D865971S

(12) **United States Design Patent** (10) **Patent No.:** **US D865,971 S**
Doerrfuss et al. (45) **Date of Patent:** **** Nov. 5, 2019**

(54) **PATIENT TABLE**

(71) Applicant: **Siemens Healthcare GmbH**, Erlangen (DE)

(72) Inventors: **Bruno Doerrfuss**, Neunkirchen (DE); **Florian Hilbig**, Munich (DE); **Daniel Lerch**, Weilersbach (DE); **Selma Zehner**, Forchheim (DE); **Lei Pan**, Shanghai (CN); **Carsten Thierfelder**, Pinzberg (DE)

(73) Assignee: **Siemens Healthcare GmbH**, Erlangen (DE)

(**) Term: **15 Years**

(21) Appl. No.: **29/595,233**

(22) Filed: **Feb. 27, 2017**

(30) **Foreign Application Priority Data**

Aug. 29, 2016 (EM) 001452544

(51) **LOC (12) Cl.** **24-02**

(52) **U.S. Cl.**
USPC **D24/183**

(58) **Field of Classification Search**
USPC D24/183, 184, 190, 191, 192;
D29/101.3, 120.1, 121.1, 121.2, 122;
D6/382, 383, 384, 406.1–406.6, 596, 601,
D6/604, 610, 611, 710, 712, 716.2, 716.4,
D6/716.6, 718, 718.3; D2/720, 826, 860,
D2/861
CPC A61G 1/003–013; A61G 1/04–052; A61G
7/1036; A61G 7/1053–1057
See application file for complete search history.

(56) **References Cited**

U.S. PATENT DOCUMENTS

3,281,141 A 10/1966 Smiley et al.
3,452,977 A 7/1969 Ryman

D221,910 S 9/1971 Brendgord
3,868,103 A 2/1975 Pageot et al.
3,982,741 A 9/1976 Mitchell et al.
4,195,829 A 4/1980 Reser
D260,172 S 8/1981 Kyle
D324,103 S * 2/1992 Masuda D24/183
D344,802 S 3/1994 Kuck et al.
5,528,782 A 6/1996 Pfeuffer et al.

(Continued)

OTHER PUBLICATIONS

Siemens Somatom Force designaffairs. [online] Published Oct. 23, 2015. Retrieved Jun. 5, 2015 from URL:https://www.designaffairs.com/siemens-somatom-force/.*

(Continued)

Primary Examiner — Vy N Koenig

(74) *Attorney, Agent, or Firm* — Schiff Hardin LLP

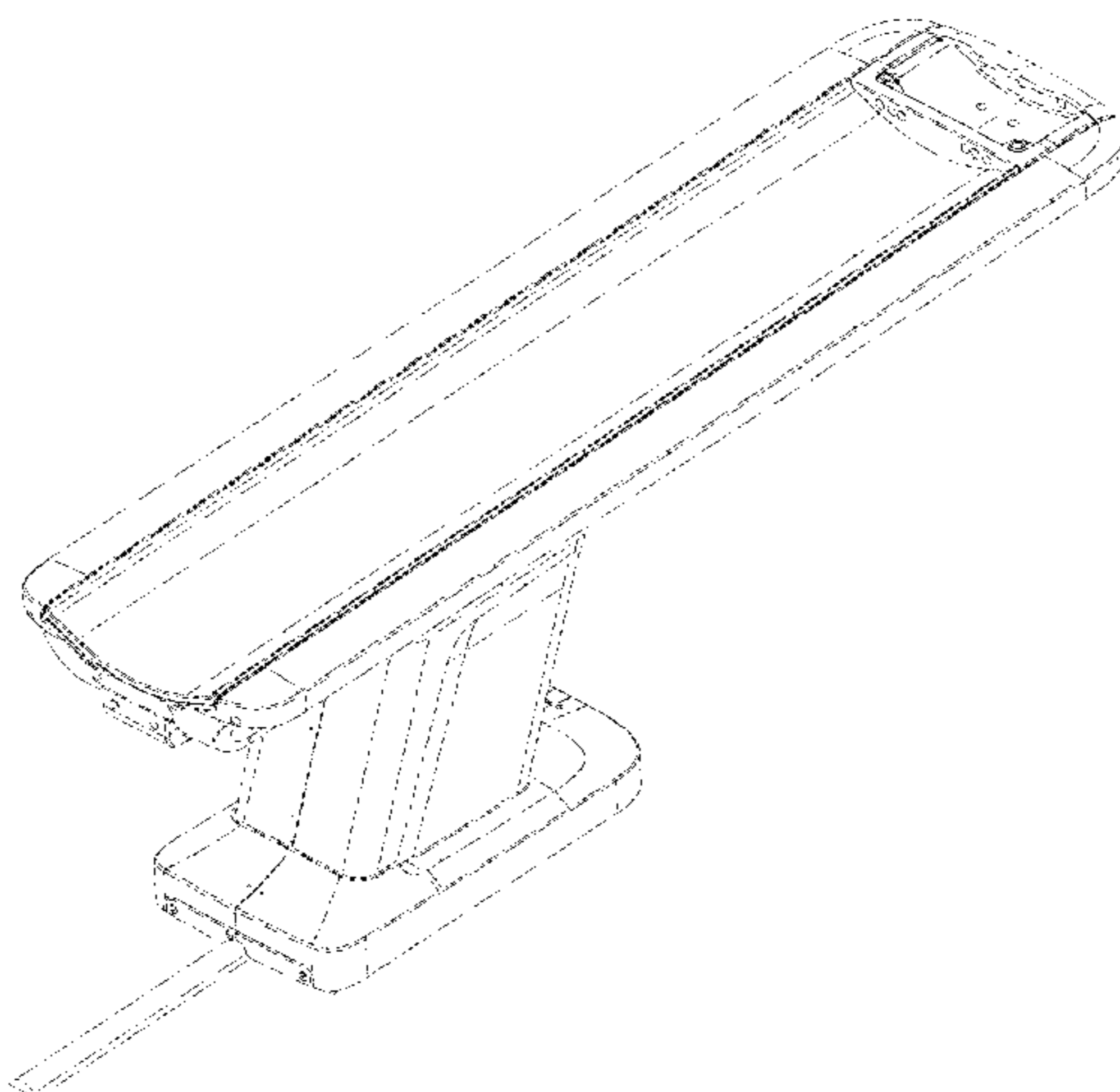
(57) **CLAIM**

The ornamental design for a patient table, as shown and described.

DESCRIPTION

FIG. 1 is a front elevational view of a patient table showing our new design;
FIG. 2 is a back elevational view thereof;
FIG. 3 is a top plan view thereof;
FIG. 4 is a bottom plan view thereof;
FIG. 5 is a side elevational view of the right side thereof;
FIG. 6 is a side elevational view of the left side thereof; and
FIG. 7 is a perspective view taken generally from the top, front, right-hand side thereof; and,
FIG. 8 is a perspective view taken generally from the top, back, right-hand side thereof.
The broken lines shown in the drawings represent portions of the patient table that form no part of the claimed design.

1 Claim, 7 Drawing Sheets



(56)

References Cited

U.S. PATENT DOCUMENTS

6,038,718 A 3/2000 Pennington et al.
 D453,968 S 2/2002 Zachrisson
 D462,445 S 9/2002 Barde et al.
 6,754,923 B2 6/2004 Borders et al.
 D518,894 S * 4/2006 Kirn D24/184
 D527,459 S 8/2006 Gireesh
 D552,389 S * 10/2007 Papiernik D6/716.2
 D553,246 S * 10/2007 Banryu D24/183
 7,761,941 B2 7/2010 Loser
 D630,330 S 1/2011 Baba
 D681,208 S * 4/2013 Ninomiya D24/159
 D701,605 S * 3/2014 Ohmukai D24/183
 D726,319 S 4/2015 Sul et al.
 D727,509 S * 4/2015 Tan D24/159
 D731,068 S * 6/2015 Moon D24/183
 D735,864 S * 8/2015 Doerre D24/159
 D736,390 S * 8/2015 Kim D24/183
 D736,934 S * 8/2015 Kim D24/183
 D743,555 S * 11/2015 Hasebe D24/159
 9,233,042 B1 1/2016 Freude

D748,804 S * 2/2016 Eenboom D24/183
 D774,195 S * 12/2016 Ramos D24/183
 D820,459 S 6/2018 Eenboom et al.
 D829,913 S 10/2018 Kitayama et al.
 2004/0148703 A1 8/2004 Doering et al.
 2005/0125896 A1* 6/2005 Cavalier A61G 13/02
 5/600
 2007/0107122 A1 5/2007 Georgi et al.
 2009/0144902 A1 6/2009 Baumann et al.
 2011/0296613 A1 12/2011 Farmbauer et al.
 2016/0174914 A1* 6/2016 Lerch A61B 6/0407
 5/601
 2016/0287461 A1 10/2016 Naughton

OTHER PUBLICATIONS

Siemens Healthineers introduces new platform for computed tomography at ECR 2017. [online] Published Mar. 3, 2017. Retrieved Jun. 5, 2018 from URL: <https://www.news-medical.net/news/20170303/Siemens-Healthineers-introduces-new-platform-for-computed-tomography-at-ECR-2017.aspx>.*

* cited by examiner

Fig. 2

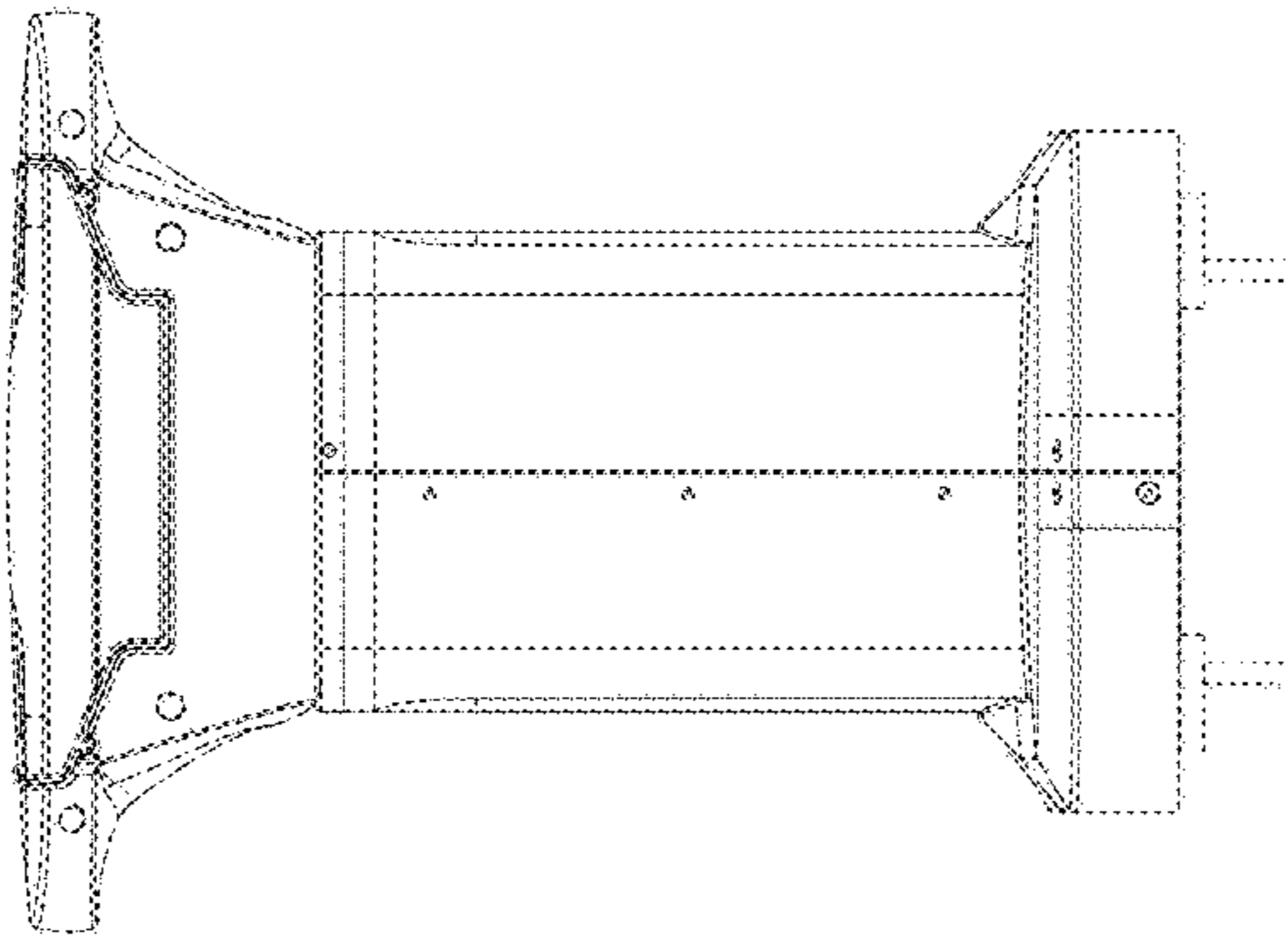


Fig. 1

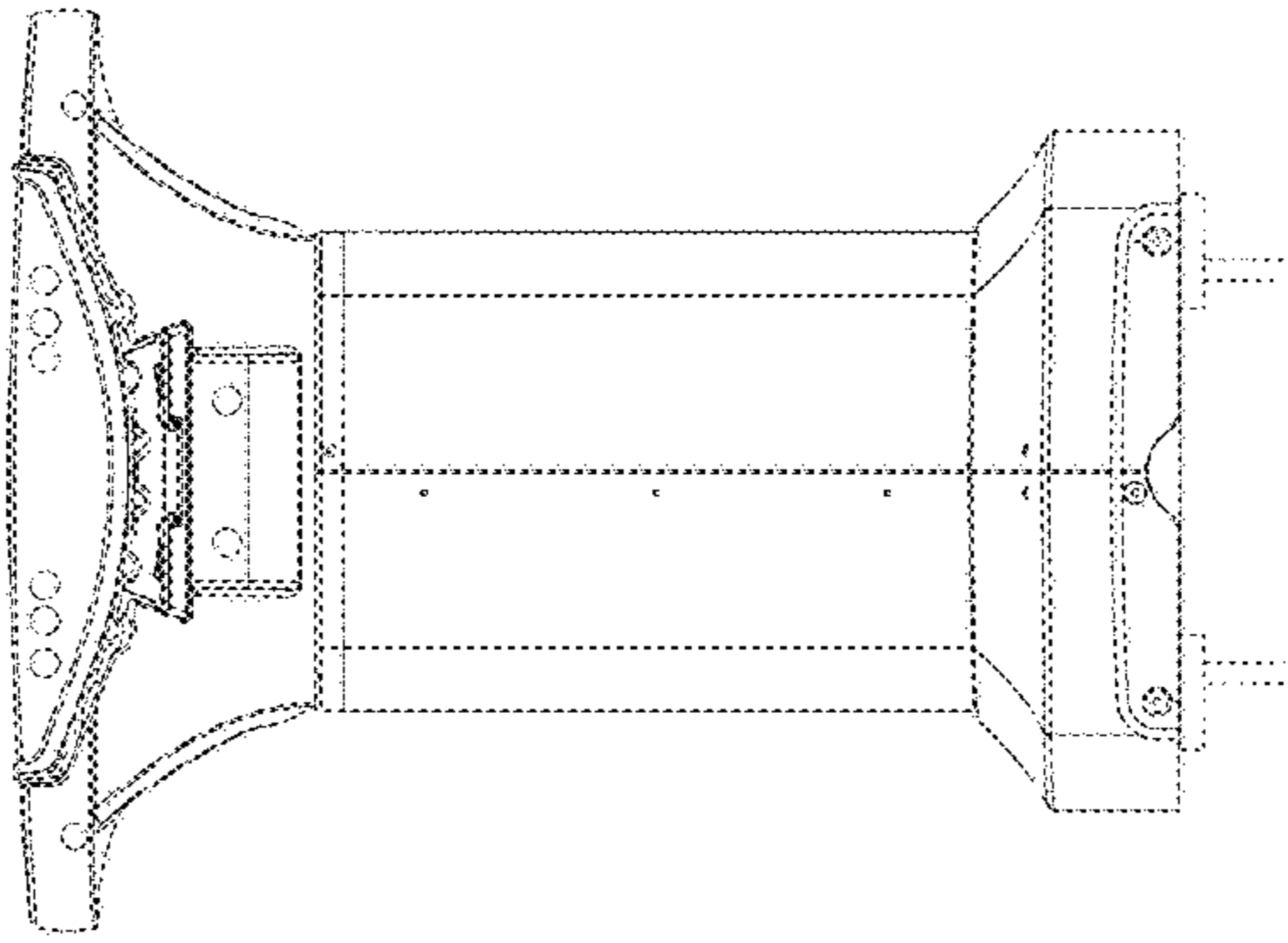


Fig. 3

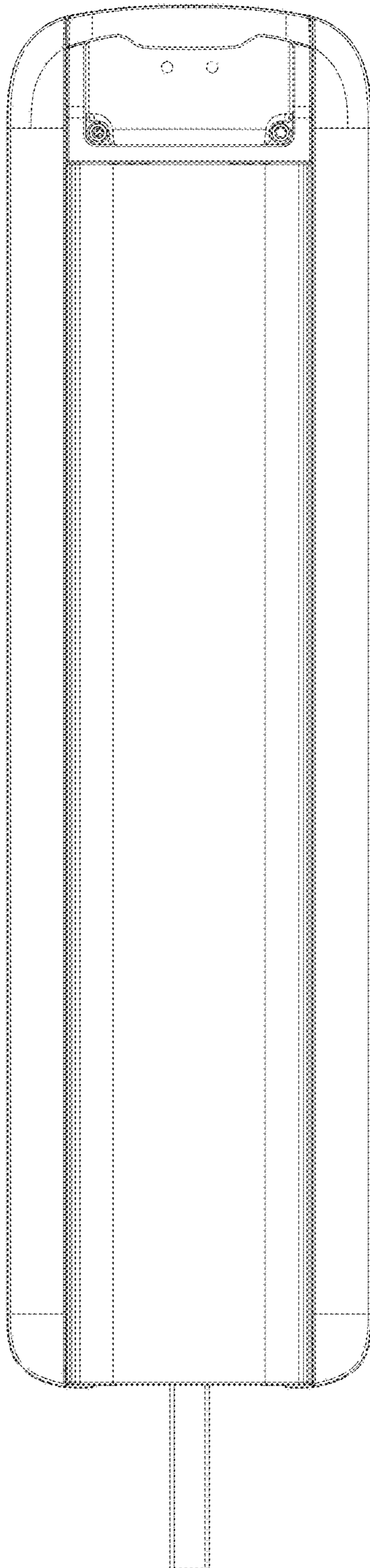


Fig. 4

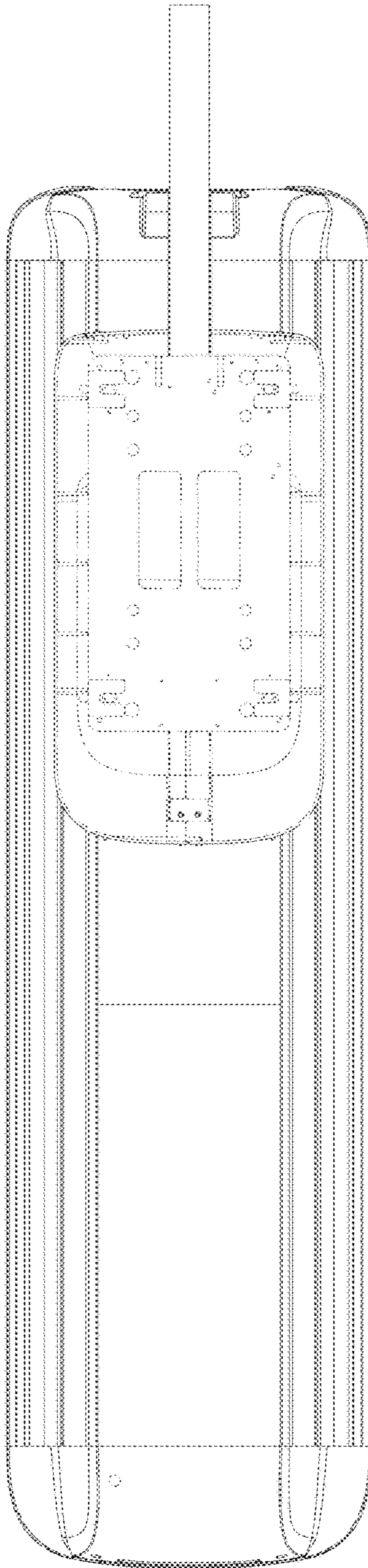


Fig. 5

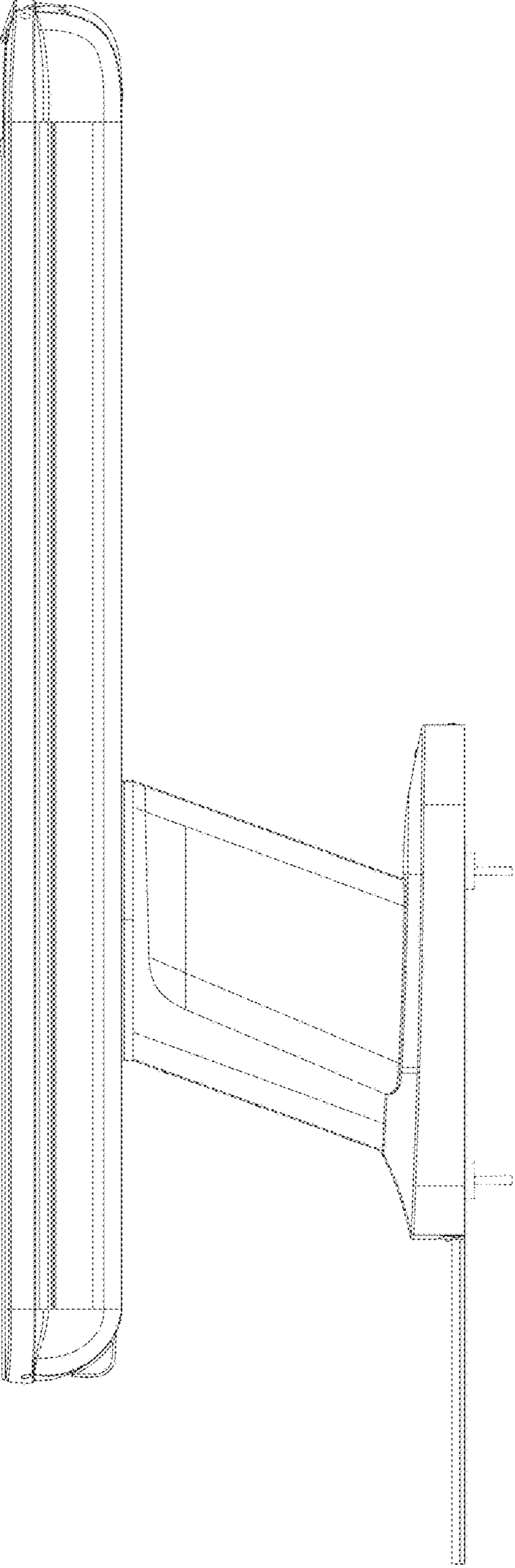
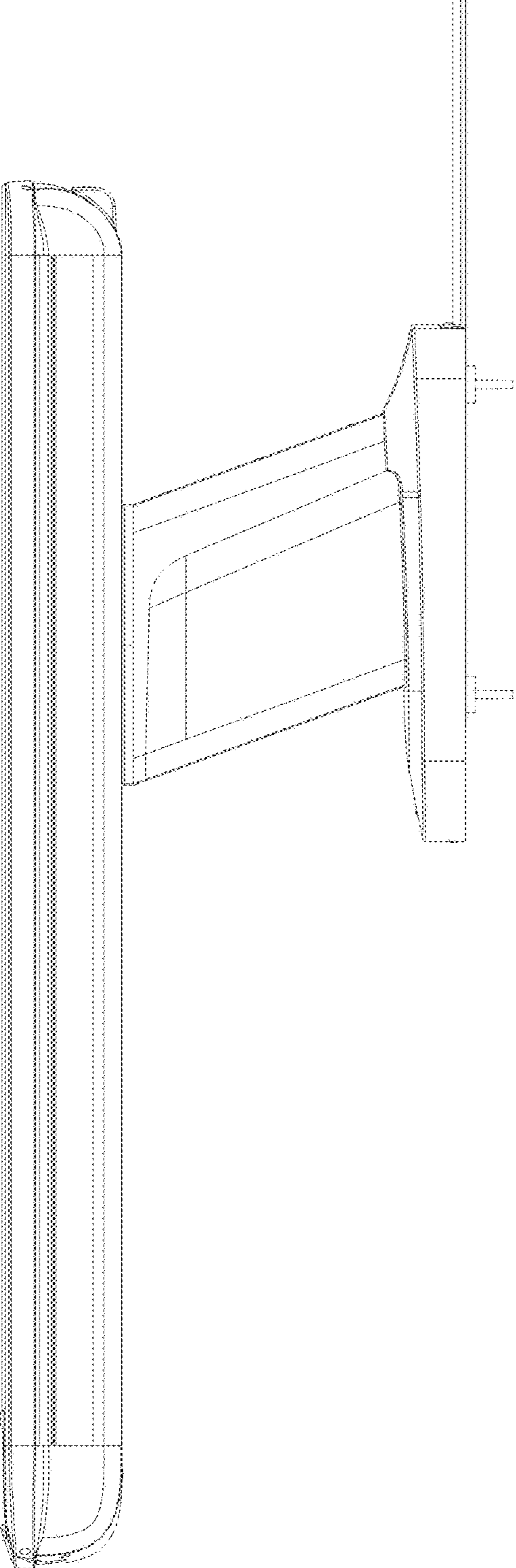


Fig. 6



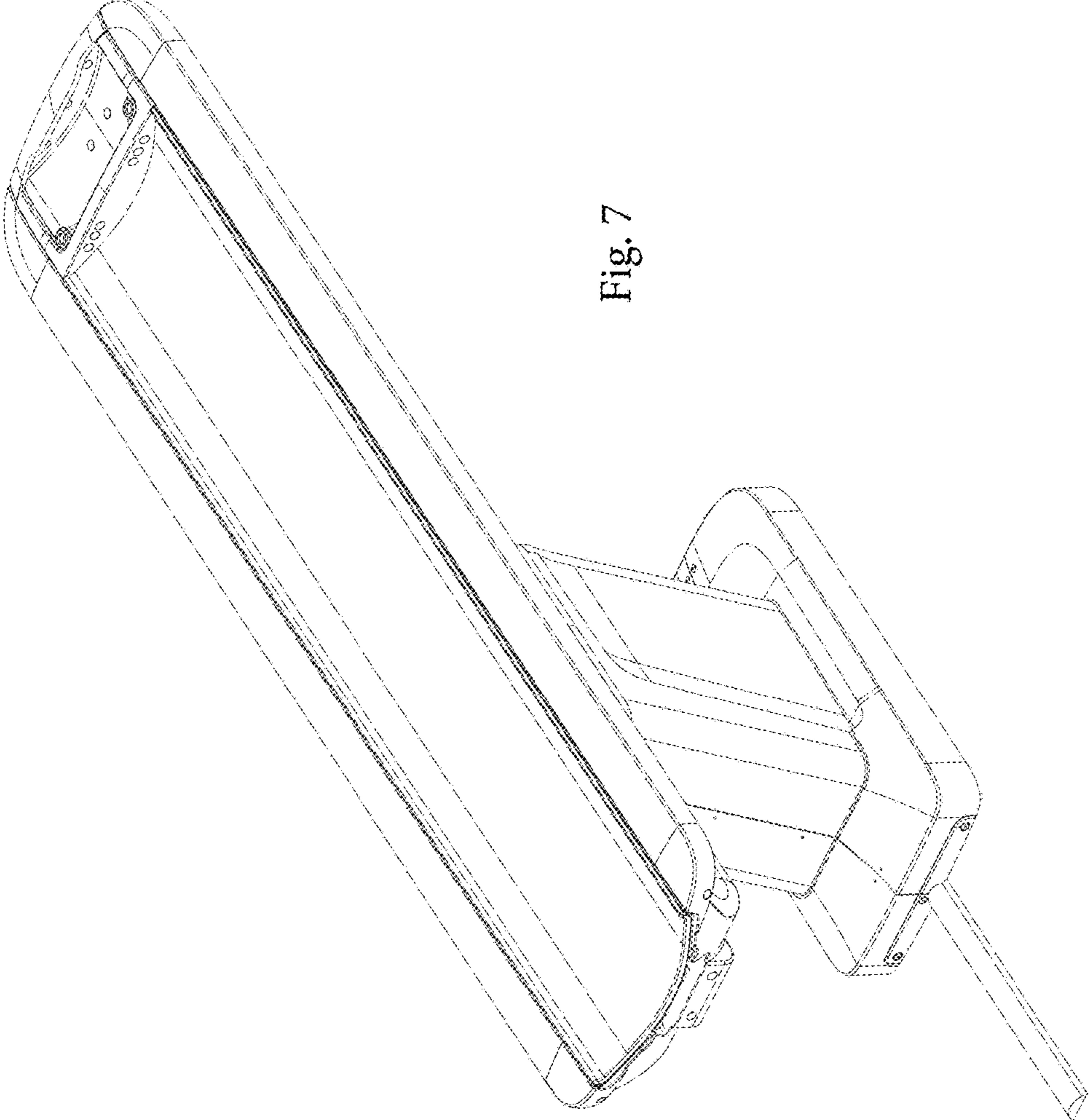


Fig. 7

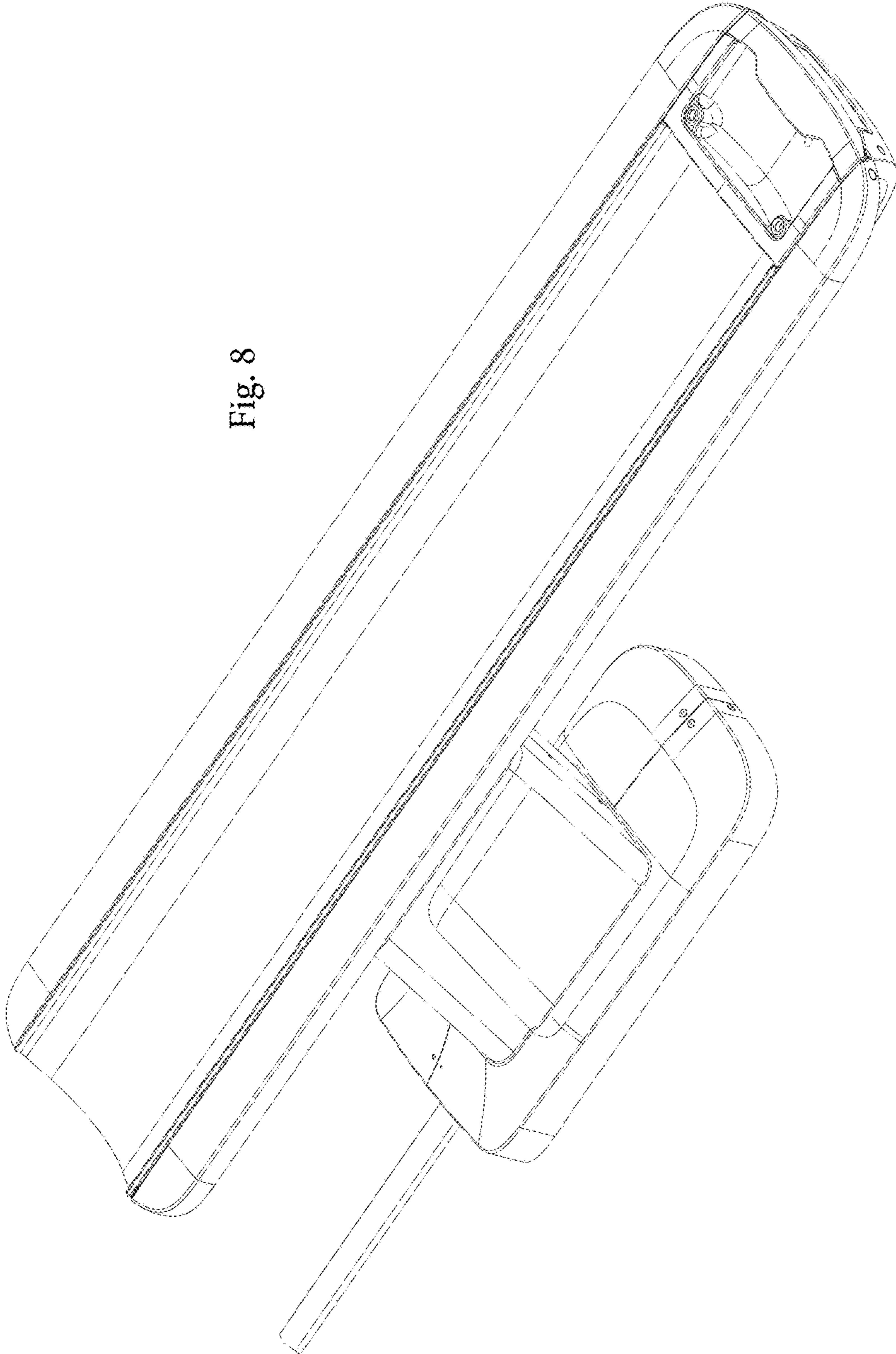


Fig. 8