

US00D865969S

(12) **United States Design Patent** (10) **Patent No.:** **US D865,969 S**
Deng et al. (45) **Date of Patent:** **** Nov. 5, 2019**

(54) **MIRROR FOR MAGNETIC RESONANCE IMAGING MACHINE**

CPC A61B 5/055
See application file for complete search history.

(71) Applicant: **KONINKLIJKE PHILIPS N.V.**,
Eindhoven (NL)

(56) **References Cited**

(72) Inventors: **Wayne Deng**, Suzhou (CN); **Wei Lun Sun**, Shanghai (CN); **Deyi Qiu**, Suzhou (CN); **Bing Wu**, Suzhou (CN); **Ramesh Radhakrishnan**, Suzhou (CN)

U.S. PATENT DOCUMENTS

(73) Assignee: **KONINKLIJKE PHILIPS N.V.**,
Eindhoven (NL)

D639,076 S * 6/2011 Fukui D16/235
D742,012 S * 10/2015 Sul D24/158
D751,710 S * 3/2016 Ballsieper D24/158
D772,415 S * 11/2016 Ballsieper D24/158
D818,125 S * 5/2018 Ballsieper D24/158
D832,442 S * 10/2018 Franko D24/158
D833,617 S * 11/2018 Tenley D24/158

(**) Term: **15 Years**

* cited by examiner

(21) Appl. No.: **35/504,330**

Primary Examiner — Eliza Z Bennett-Hattan

(22) Filed: **Jul. 14, 2017**

(57) **CLAIM**

(80) **Hague Agreement Data**

Int. Filing Date: **Jul. 14, 2017**
Int. Reg. No.: **DM/097295**
Int. Reg. Date: **Jul. 14, 2017**
Int. Reg. Pub. Date: **Jan. 19, 2018**

The ornamental design for a mirror for a magnetic resonance imaging machine, as shown and described.

(30) **Foreign Application Priority Data**

Feb. 28, 2017 (EM) 003772508

(51) **LOC (12) Cl.** **24-01**

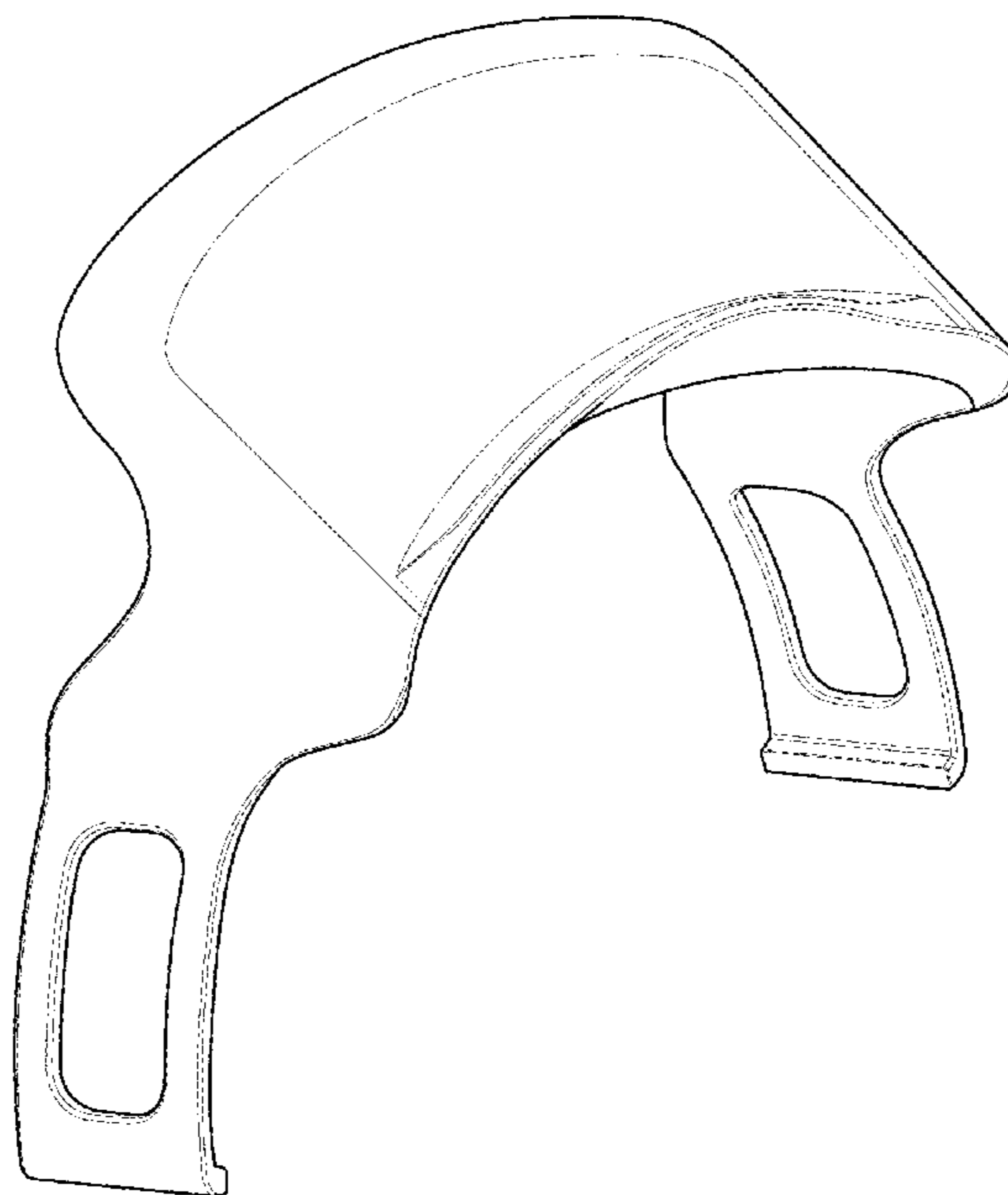
(52) **U.S. Cl.**
USPC **D24/158**

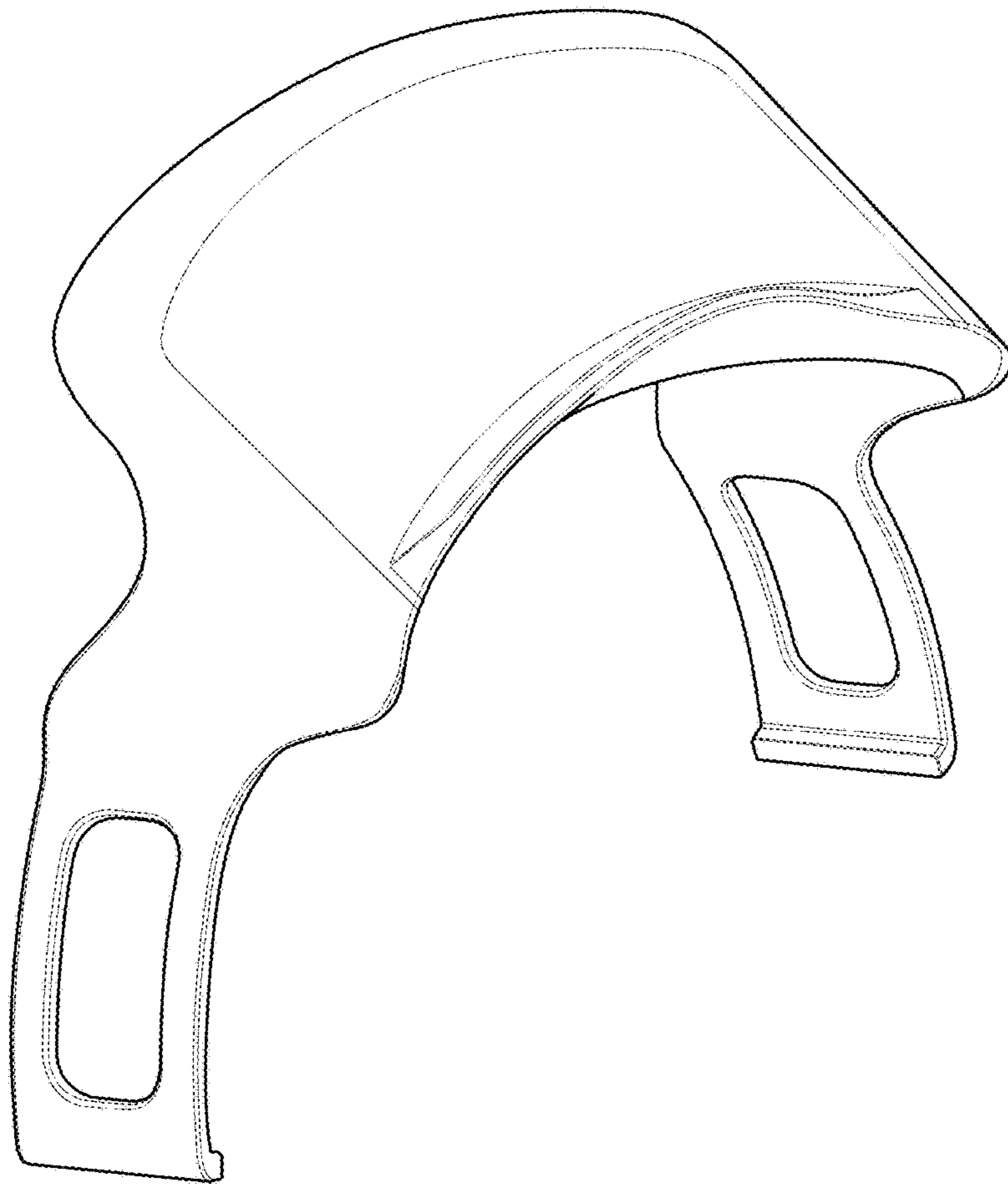
(58) **Field of Classification Search**
USPC D24/158, 159, 160, 161, 185, 186, 107,
D24/231; D6/300, 301, 302

DESCRIPTION

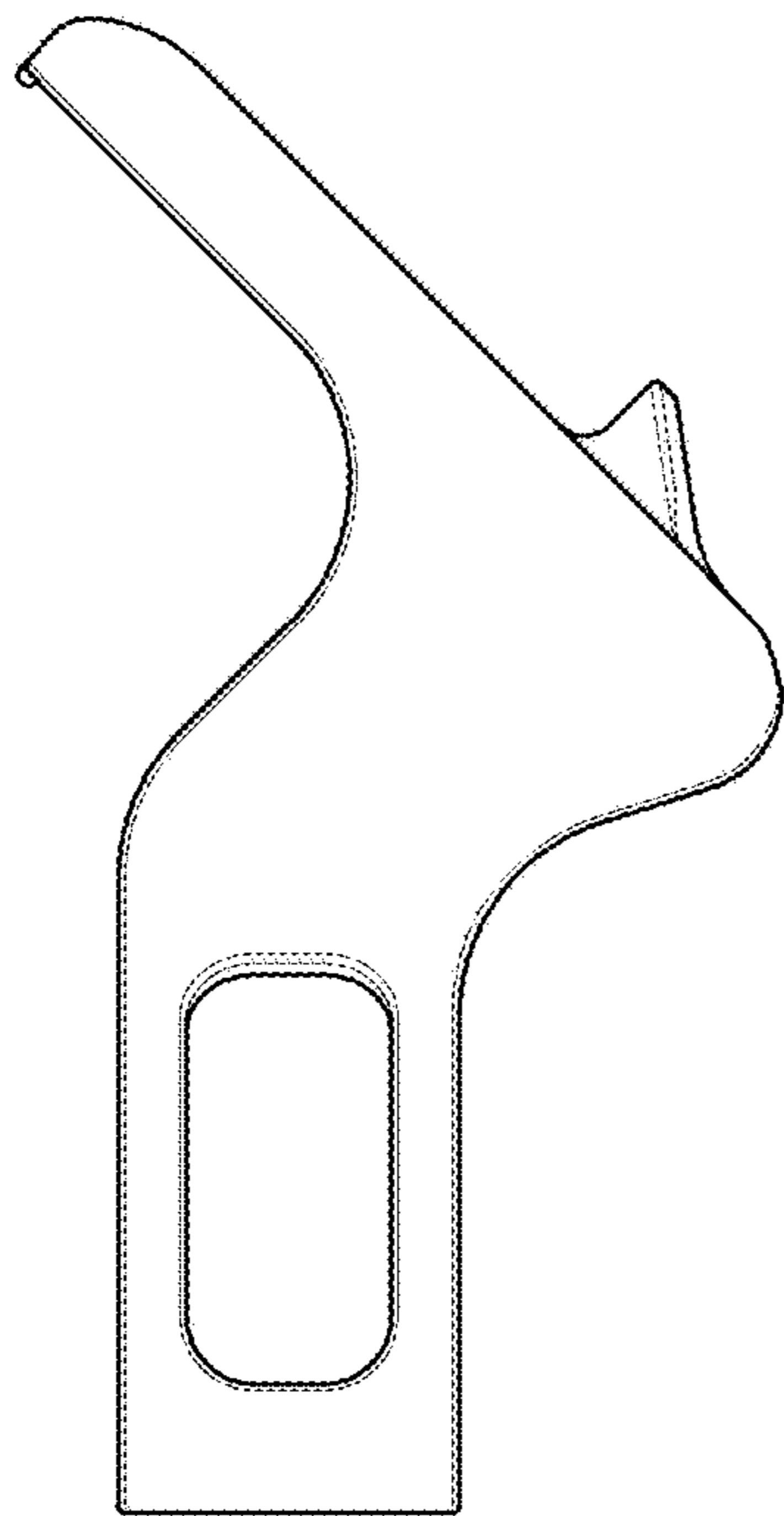
1. Mirror for magnetic resonance imaging machine
1.1 is a perspective view of the mirror for magnetic resonance imaging machine showing our new design;
1.2 is a left side elevational view thereof;
1.3 is a right side elevational view thereof;
1.4 is a front elevational view thereof;
1.5 is a rear elevational view thereof;
1.6 is a top plan view thereof; and
1.7 is a bottom plan view thereof.

1 Claim, 4 Drawing Sheets

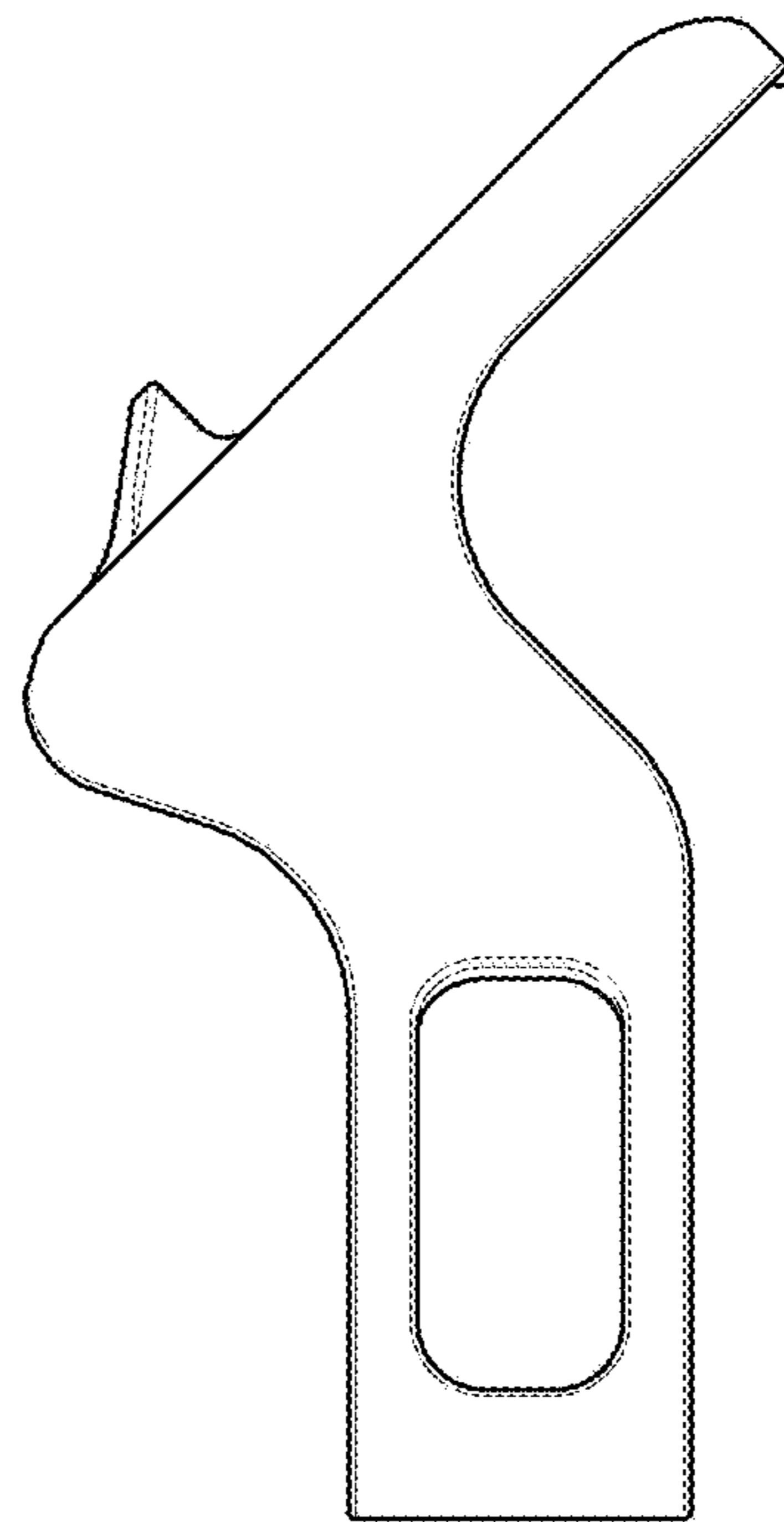




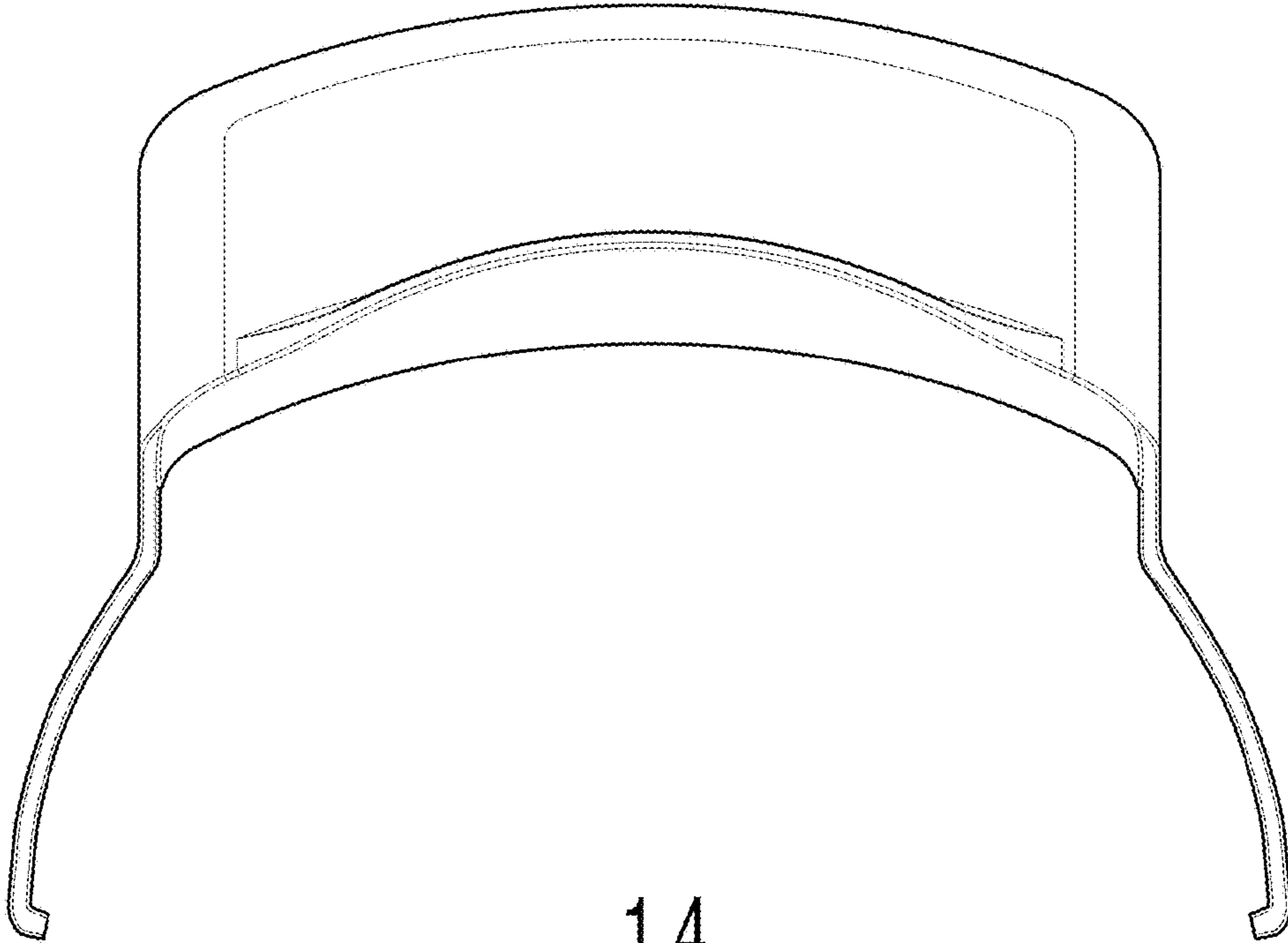
1.1



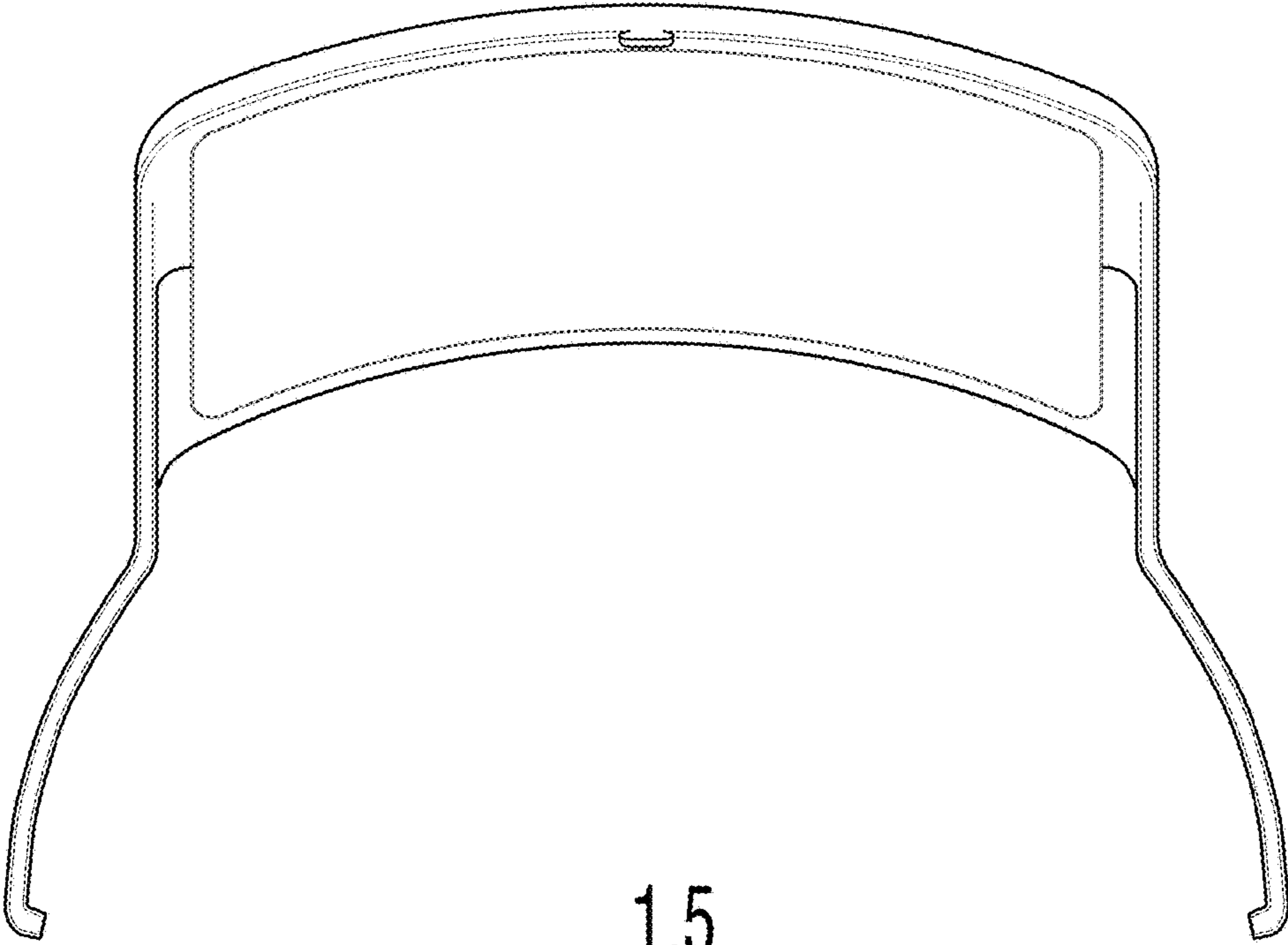
1.2



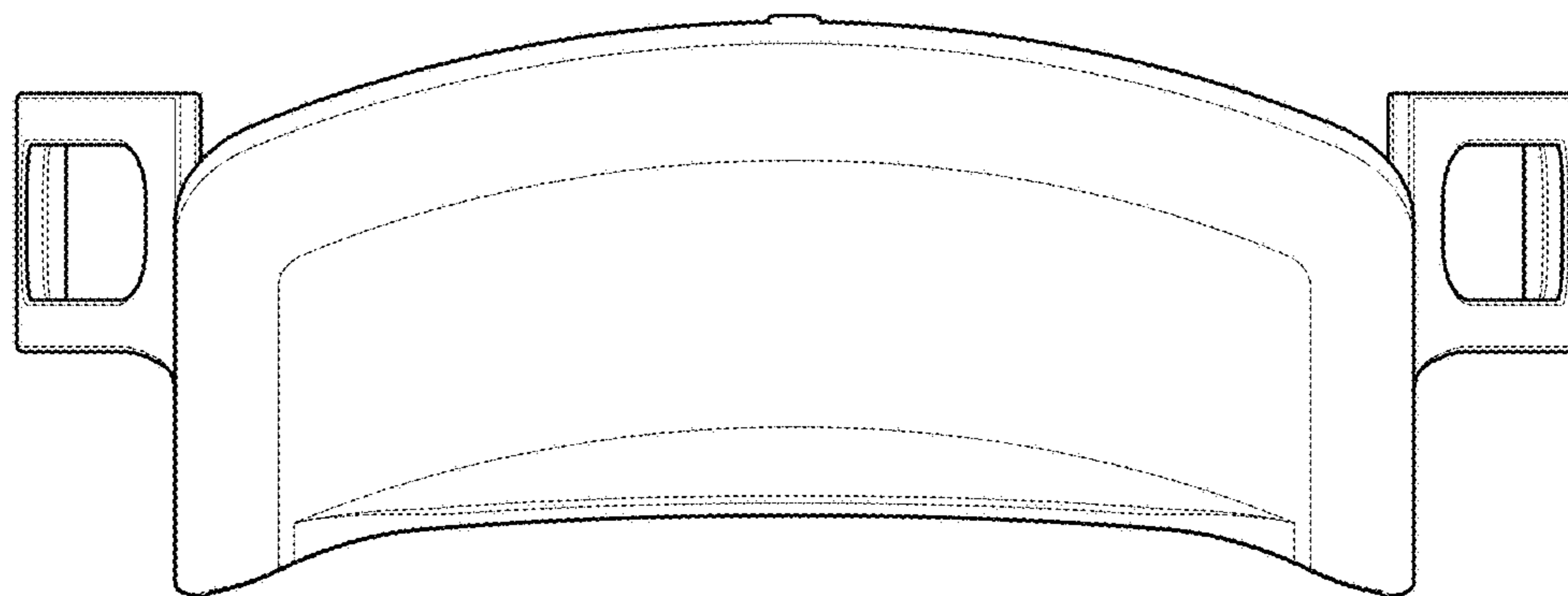
1.3



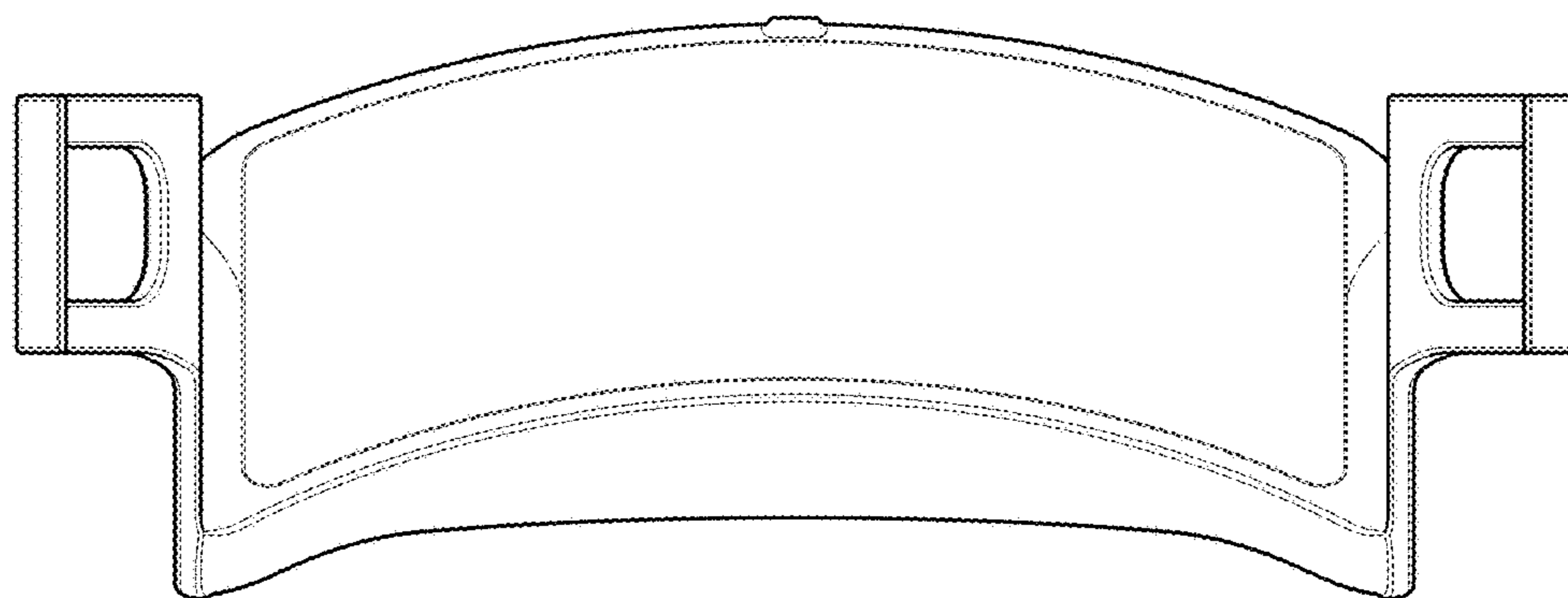
1.4



1.5



1.6



1.7