



US00D865968S

(12) **United States Design Patent** (10) **Patent No.:** **US D865,968 S**
Liu (45) **Date of Patent:** **** Nov. 5, 2019**

(54) **RADIOTHERAPY EQUIPMENT**

(71) Applicant: **SHENZHEN OUR NEW MEDICAL TECHNOLOGIES DEVELOPMENT CO., LTD.**, Shenzhen (CN)

(72) Inventor: **Hai Feng Liu**, Shenzhen (CN)

(73) Assignee: **SHENZHEN OUR NEW MEDICAL TECHNOLOGIES DEVELOPMENT CO., LTD.**, Shenzhen (CN)

(**) Term: **15 Years**

(21) Appl. No.: **29/640,536**

(22) Filed: **Mar. 15, 2018**

(30) **Foreign Application Priority Data**

Sep. 15, 2017 (CN) 2017 3 0437910

(51) **LOC (12) Cl.** **24-01**

(52) **U.S. Cl.**
USPC **D24/158**

(58) **Field of Classification Search**
USPC D24/107, 158-161, 185, 186, 187, 231
CPC .. A61B 6/03; A61B 6/035; A61B 5/05; A61B 5/055; G01N 2223/1013; G01N 2223/1016; A61N 2005/1054; A61N 2005/1055; A61N 2005/1074
See application file for complete search history.

(56) **References Cited**

U.S. PATENT DOCUMENTS

D750,253 S * 2/2016 Liu D24/158
D766,441 S * 9/2016 Liu D24/159

D770,049 S * 10/2016 Yanagihara D24/159
D774,195 S * 12/2016 Ramos D24/183
D795,435 S * 8/2017 Liu D24/158
D804,031 S * 11/2017 Hsu D24/158
D820,459 S * 6/2018 Eenboom D24/183
D839,431 S * 1/2019 Morreale D24/159
2009/0097614 A1* 4/2009 Bergfjord A61N 5/10
378/65
2009/0270769 A1* 10/2009 Rousseau A61N 5/1084
600/595
2015/0328432 A1* 11/2015 Liu A61G 10/00
600/27

* cited by examiner

Primary Examiner — Anhdao Doan

(74) *Attorney, Agent, or Firm* — Maier & Maier, PLLC

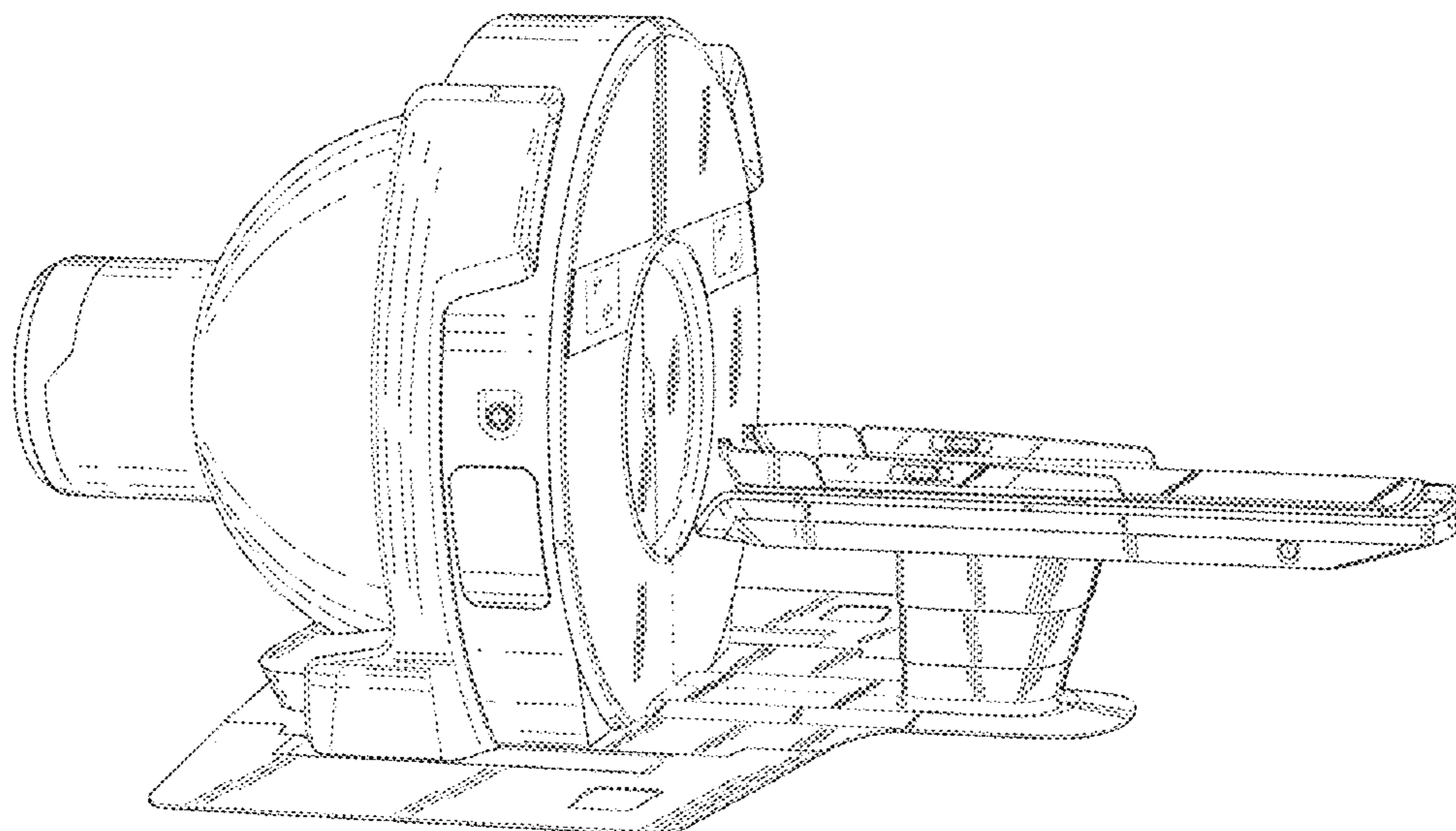
(57) **CLAIM**

The ornamental design for a radiotherapy equipment, as shown and described.

DESCRIPTION

FIG. 1 is a front view of radiotherapy equipment, showing my design;
FIG. 2 is a rear view thereof;
FIG. 3 is a left side view thereof;
FIG. 4 is a right side view thereof;
FIG. 5 is a top view thereof;
FIG. 6 is a bottom view thereof; and
FIG. 7 is a left-front perspective view thereof; and,
FIG. 8 is a front-left perspective view thereof, showing a sliding portion in an alternate position.
The broken lines show portions of the radiotherapy equipment that form no part of the claimed design.

1 Claim, 8 Drawing Sheets



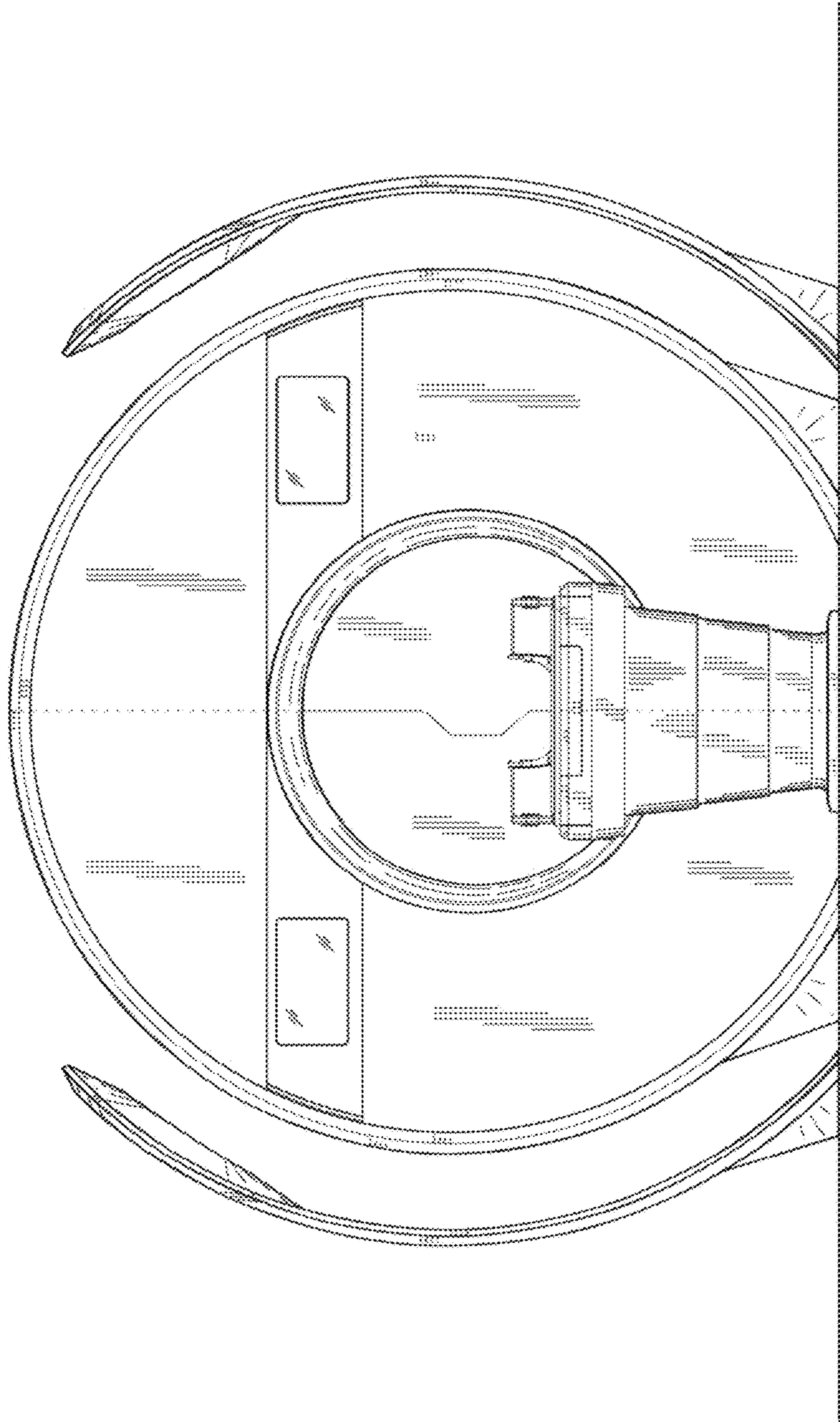


FIG. 1

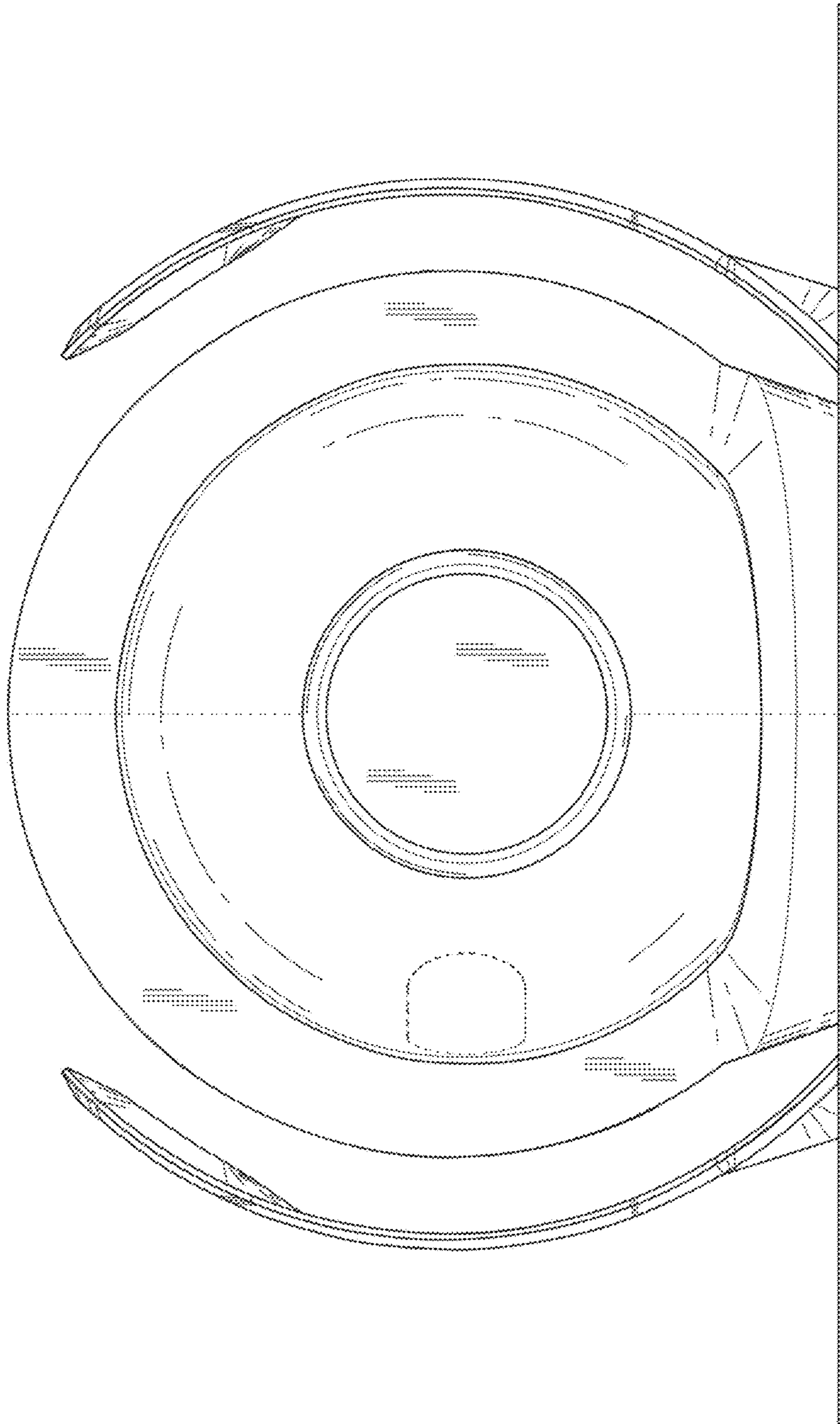


FIG. 2

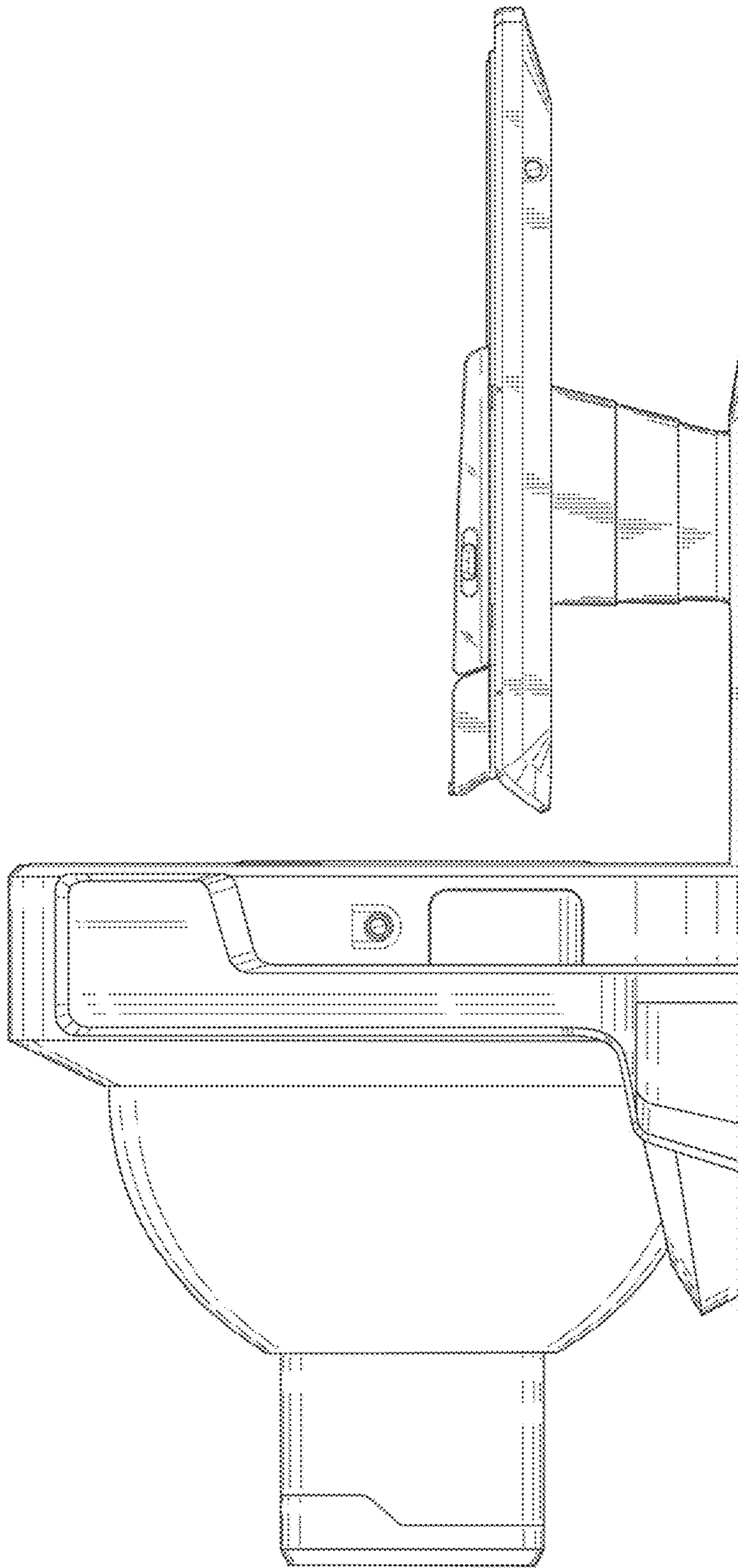


FIG. 3

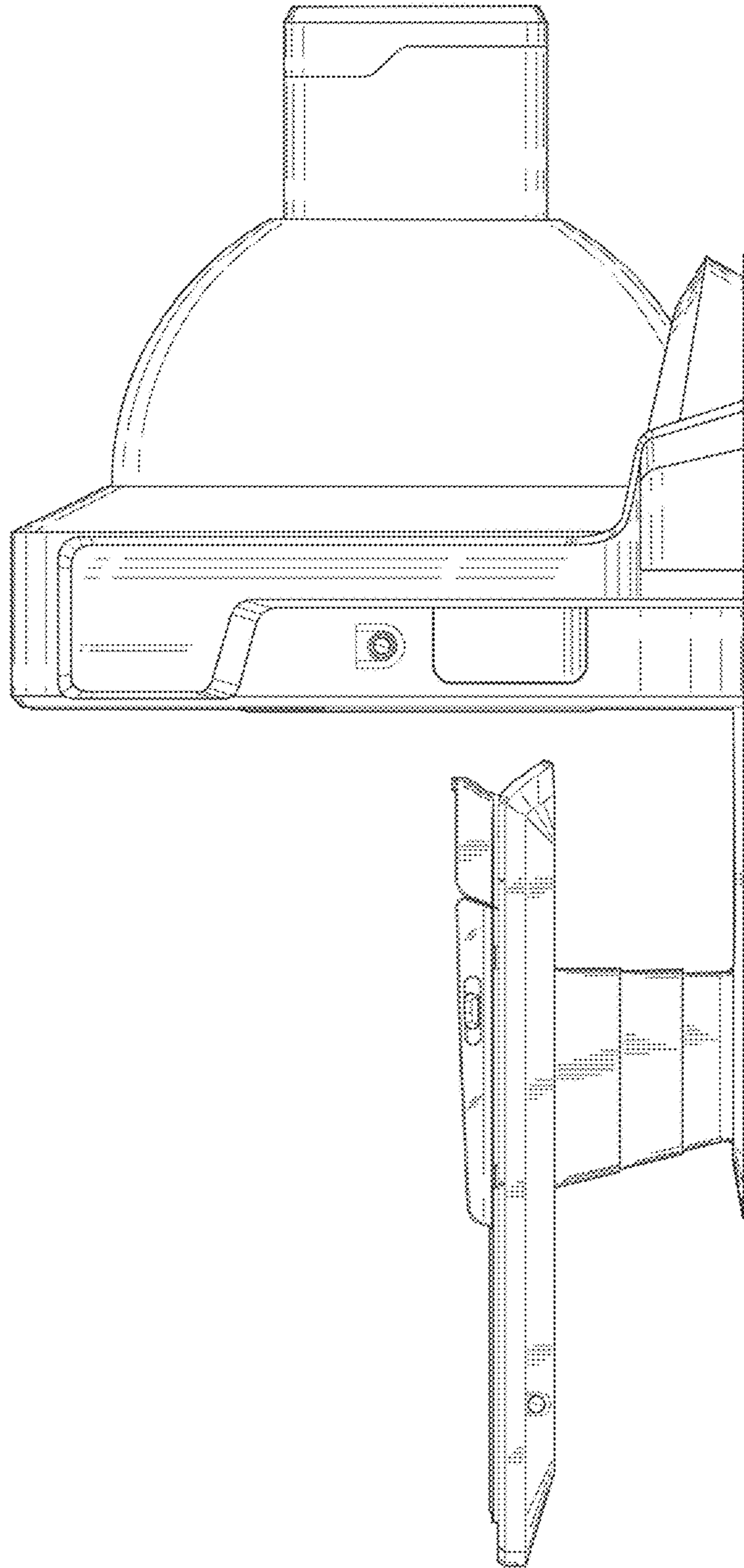


FIG. 4

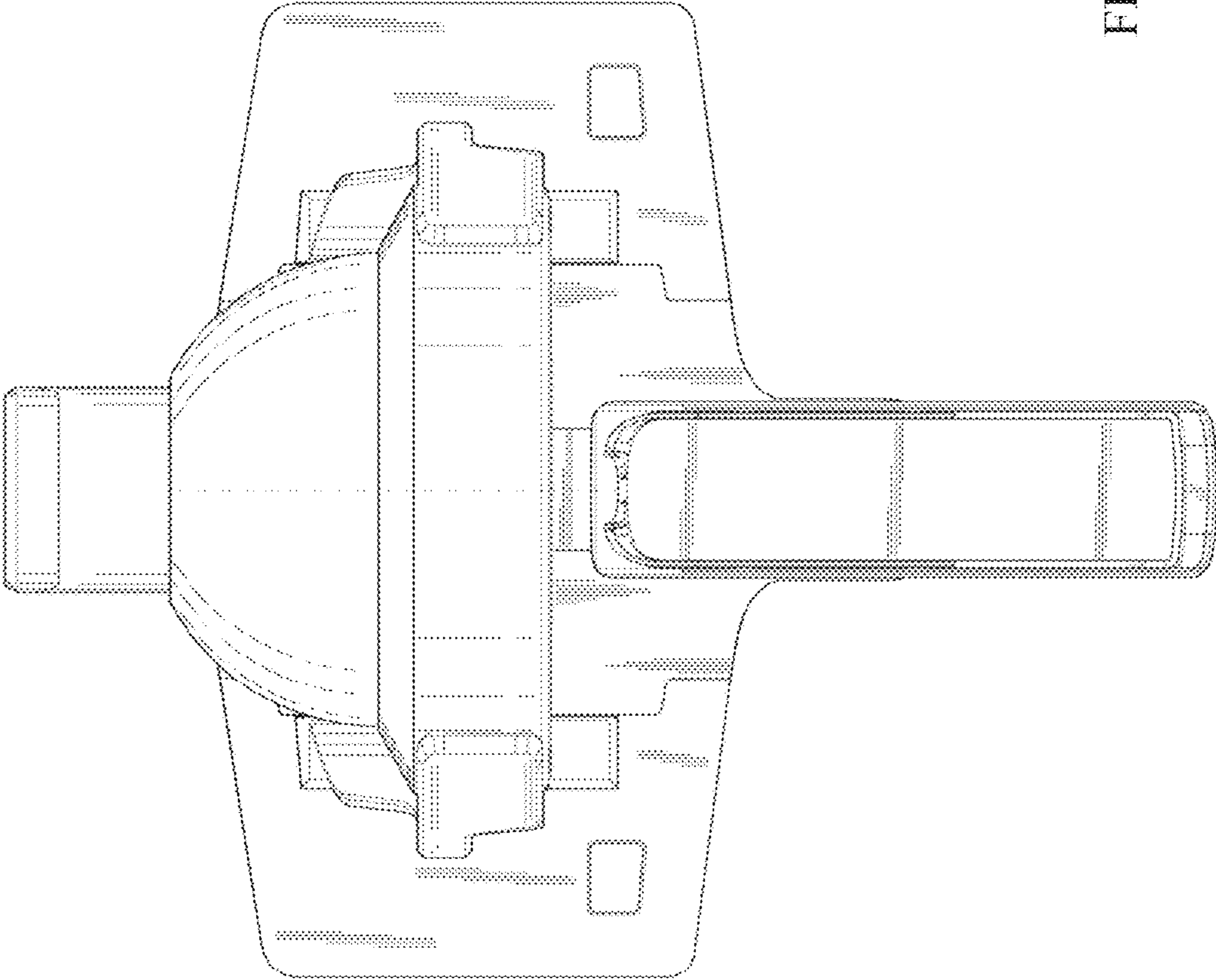


FIG. 5

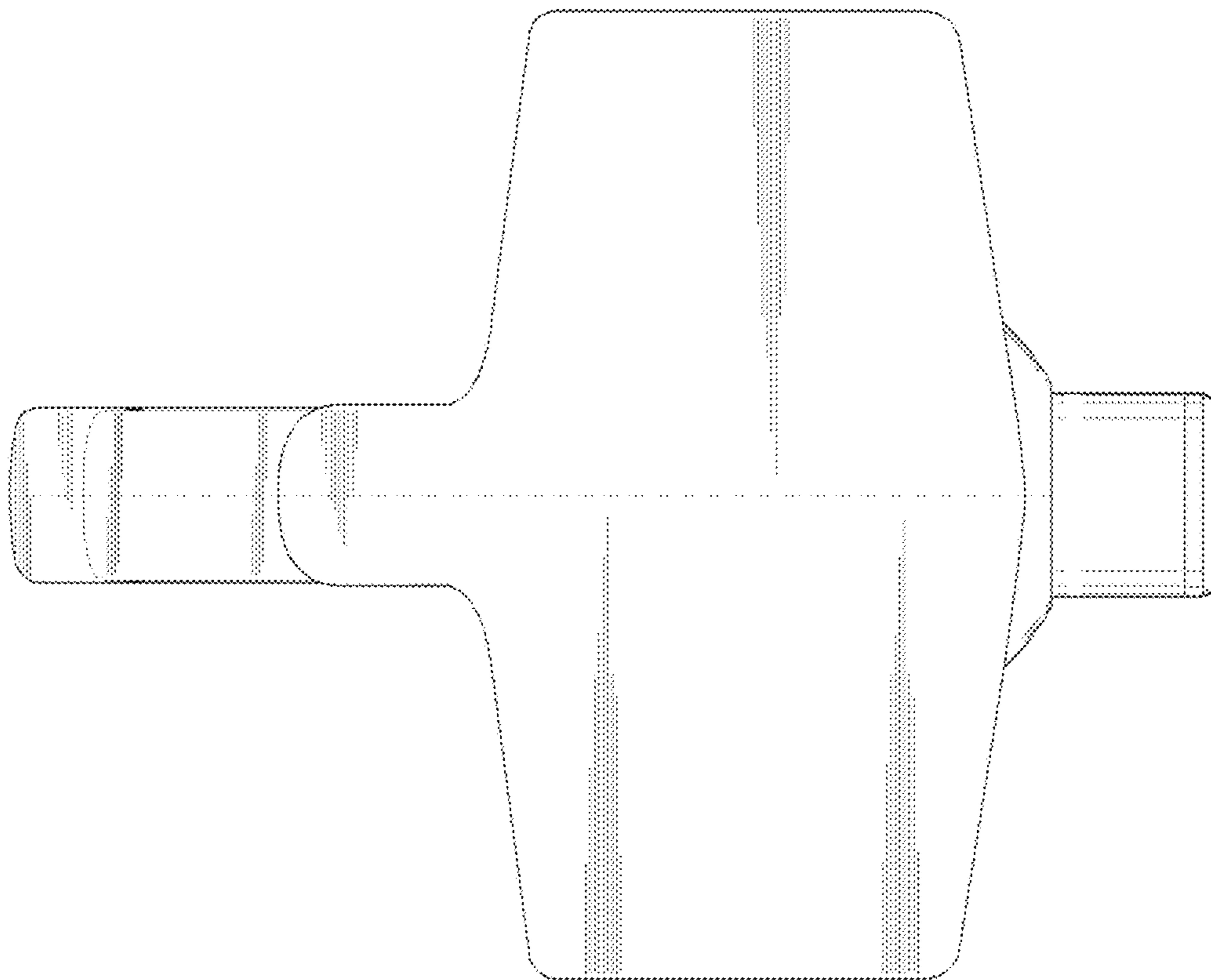


FIG. 6

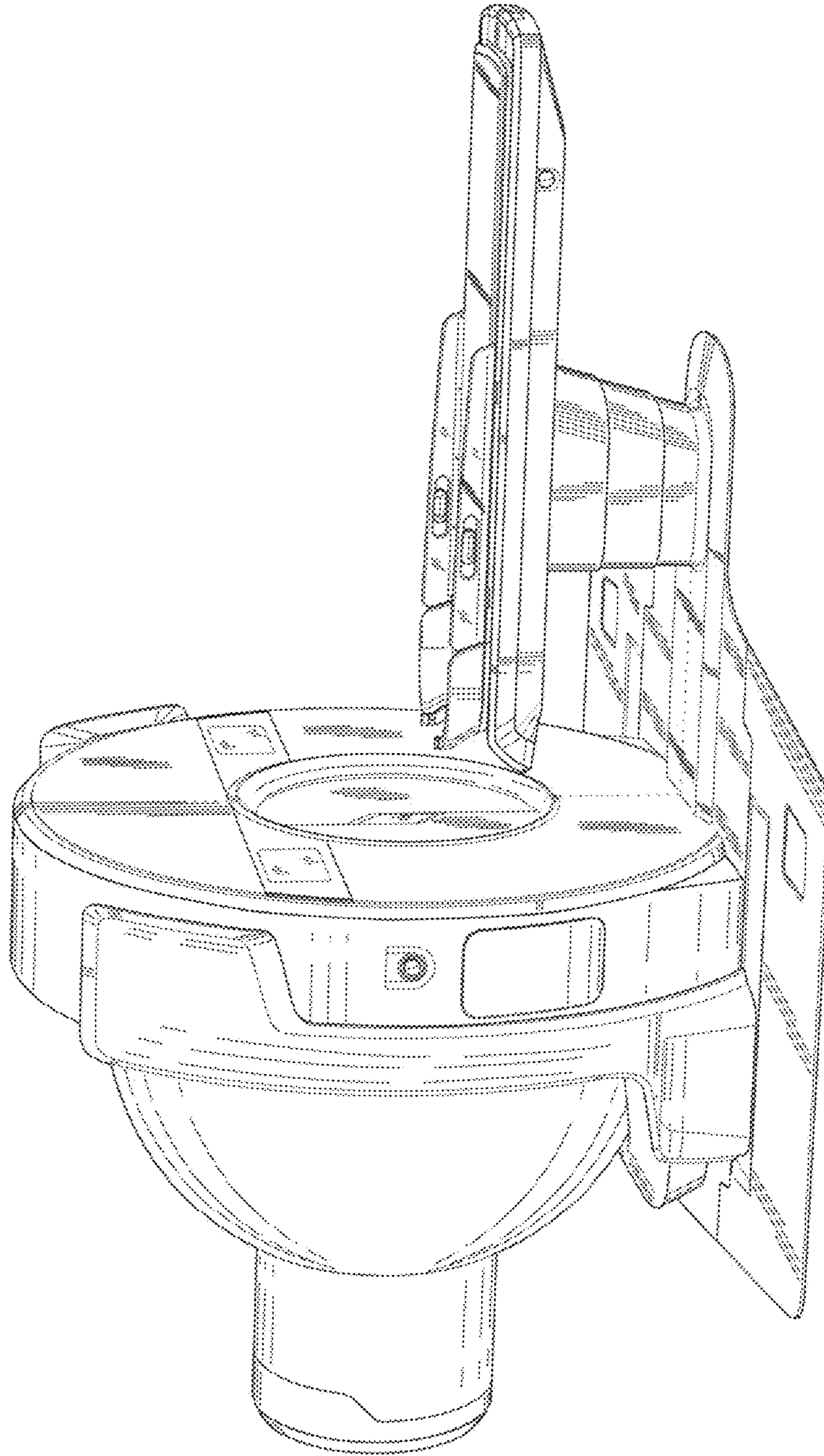


FIG. 7

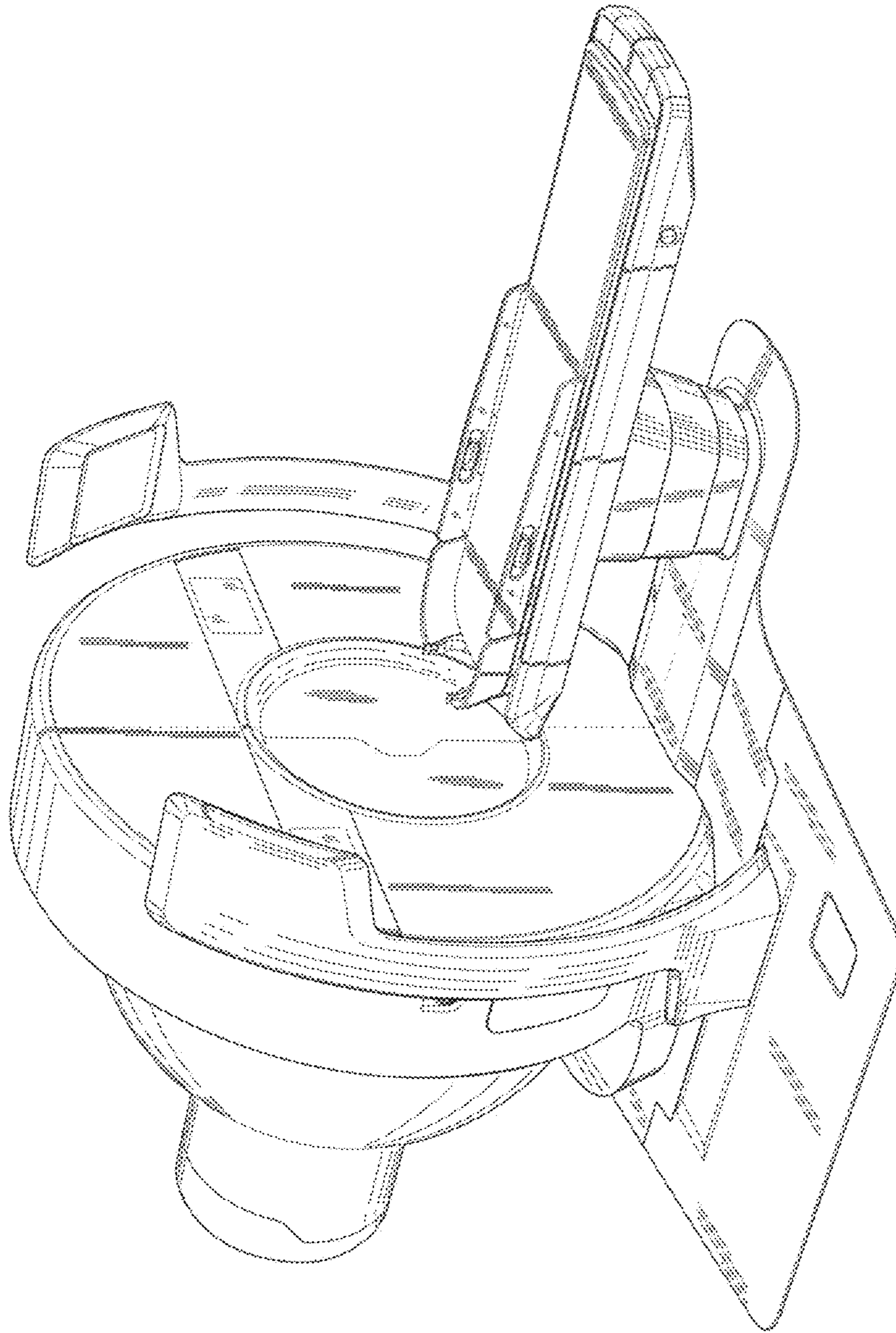


Fig. 8