



US00D865967S

(12) **United States Design Patent** (10) **Patent No.:** **US D865,967 S**
Ten Cate et al. (45) **Date of Patent:** **** Nov. 5, 2019**

(54) **MEDICAL IMAGING SYSTEM**

(71) Applicant: **Siemens Healthcare GmbH**, Erlangen (DE)

(72) Inventors: **Gerben Ten Cate**, Forchheim (DE);
Julian Bohner, Ebermannstadt (DE);
Ulf Zimmermann, Aurachtal (DE);
Kirsten Bauer, Baiersdorf (DE);
Markus Mutterer, Leutenbach (DE);
Markus Mottscheller, Nuremberg (DE)

(73) Assignee: **Siemens Healthcare GmbH**, Erlangen (DE)

(**) Term: **15 Years**

(21) Appl. No.: **29/637,395**

(22) Filed: **Feb. 17, 2018**

(30) **Foreign Application Priority Data**

Aug. 17, 2017 (EM) 004151462

(51) **LOC (12) Cl.** **24-01**

(52) **U.S. Cl.**
USPC **D24/158**

(58) **Field of Classification Search**

USPC D24/107, 158-161, 185, 186, 187, 231

CPC A61B 6/055; A61B 6/502; A61B 8/0825;
A61B 8/0414; A61B 8/4416; G06T
2207/30068

See application file for complete search history.

(56) **References Cited**

U.S. PATENT DOCUMENTS

D563,553 S * 3/2008 Saito D24/158

D659,833 S * 5/2012 Ogura D24/158

(Continued)

Primary Examiner — Anhdao Doan

(74) *Attorney, Agent, or Firm* — Schiff Hardin LLP

(57) **CLAIM**

The ornamental design for a medical imaging system, as shown and described.

DESCRIPTION

The patent or application file contains at least one drawing executed in color. Copies of this patent or patent application publication with color drawing(s) will be provided by the Office upon request and payment of the necessary fee.

FIG. 1 is a front elevational view of a medical imaging system showing our new design;

FIG. 2 is a back elevational view thereof;

FIG. 3 is a top plan view thereof;

FIG. 4 is a bottom plan view thereof;

FIG. 5 is a right side elevational view thereof;

FIG. 6 is a left side elevational view thereof; and

FIG. 7 is a perspective view taken generally from the front, top, and left-hand side thereof.

FIG. 8 is a front elevational view of an embodiment thereof with portions shown in color;

FIG. 9 is a back elevational view thereof;

FIG. 10 is a top plan view thereof with portions shown in color;

FIG. 11 is a bottom plan view thereof;

FIG. 12 is a right side elevational view thereof with portions shown in color;

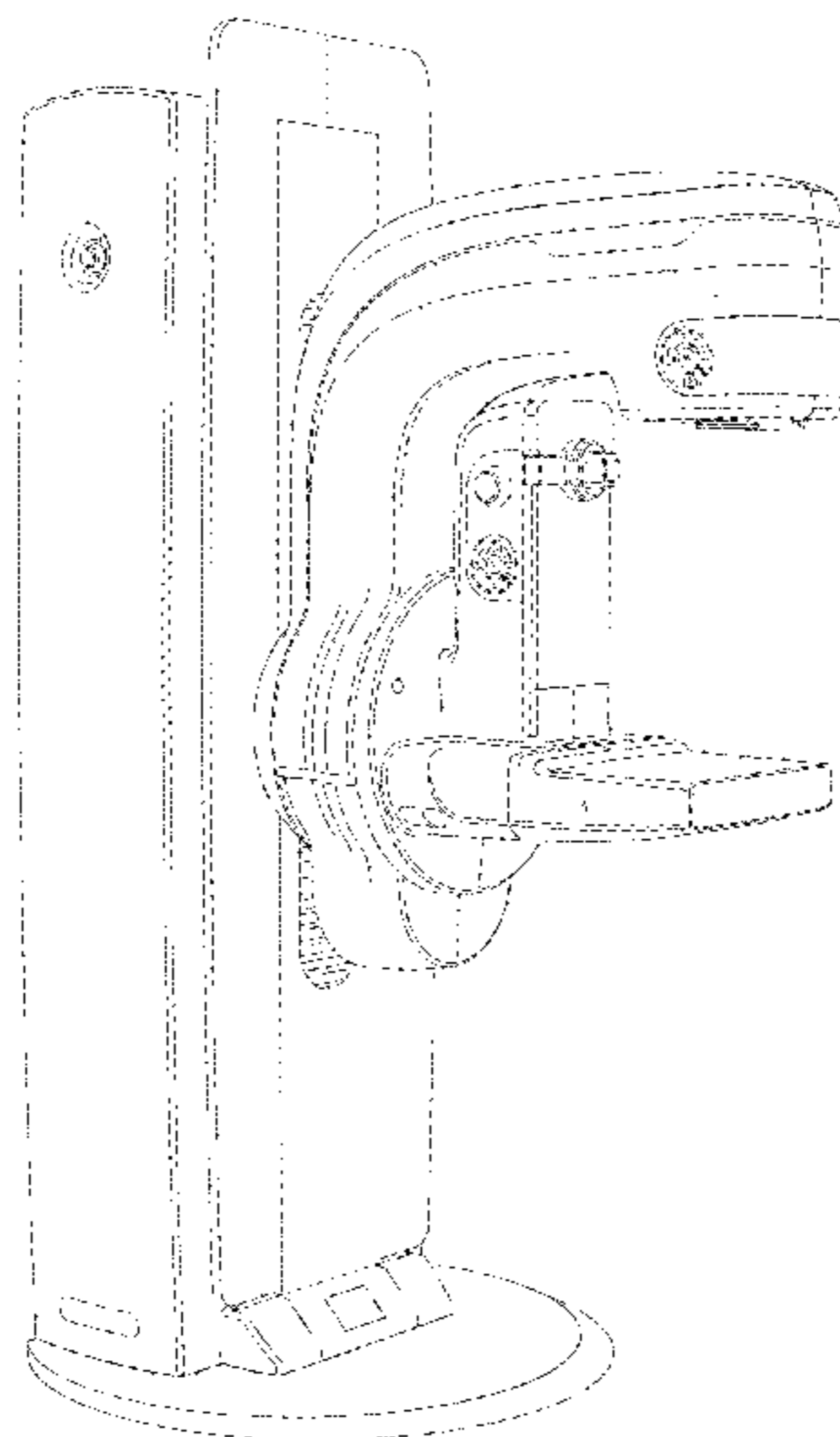
FIG. 13 is a left side elevational view thereof with portions shown in color;

FIG. 14 is a perspective view taken generally from the front, top, and left-hand side thereof with portions shown in color; and,

FIG. 15 is an enlarged front elevational view of the control panels of the medical imaging systems as shown in FIGS. 5-7 and 12-14.

The broken lines shown in the drawings represent portions of the medical imaging system that form no part of the claimed design.

1 Claim, 15 Drawing Sheets
(5 of 15 Drawing Sheet(s) Filed in Color)



(56)

References Cited

U.S. PATENT DOCUMENTS

D728,106 S * 4/2015 Laukkanen D24/158
D767,140 S * 9/2016 Yao D24/158
D814,636 S * 4/2018 Boudier D24/158
2007/0133738 A1* 6/2007 Zimmermann A61B 6/4429
378/37
2009/0080186 A1* 3/2009 Helmreich A61B 5/055
362/231
2018/0279971 A1* 10/2018 Nishi A61B 6/4429

* cited by examiner

FIG. 1

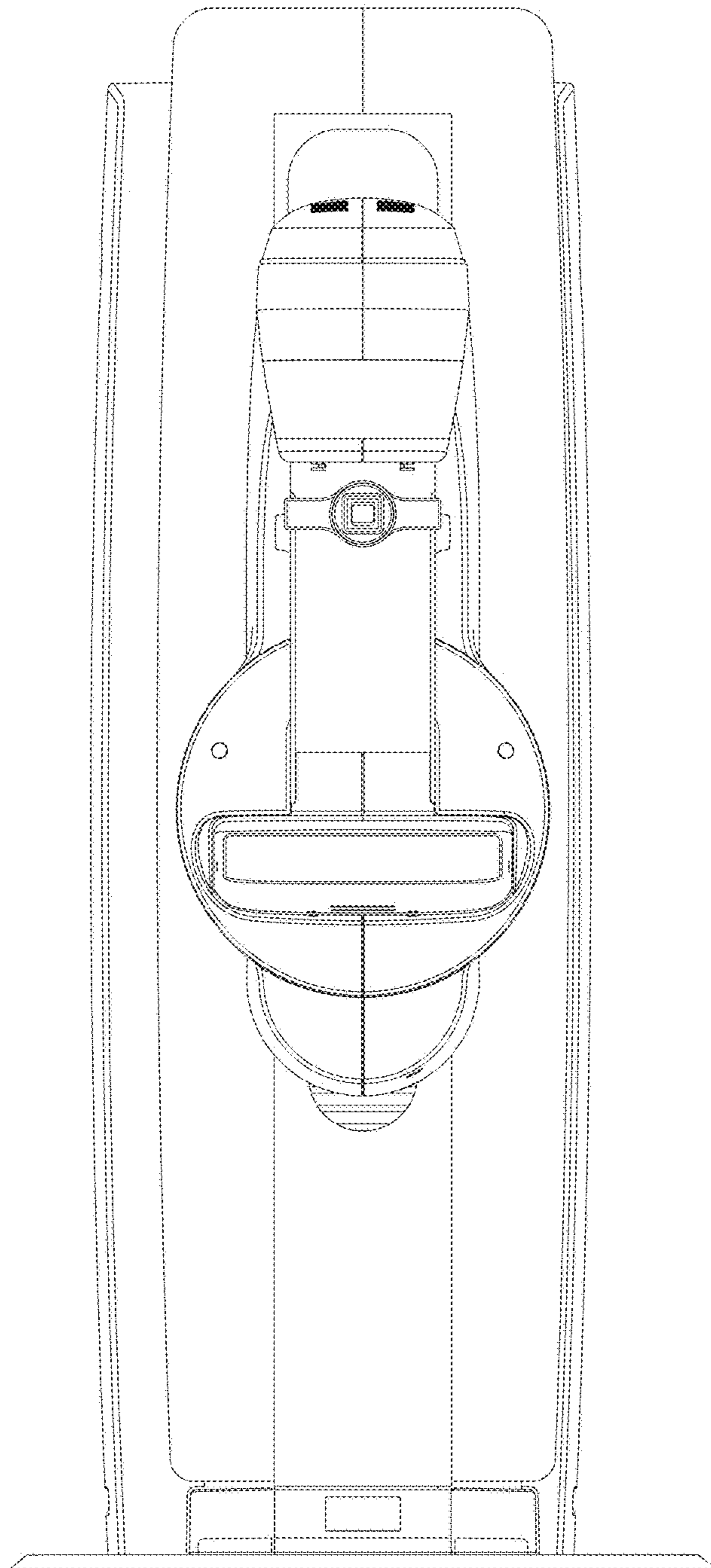


FIG. 2

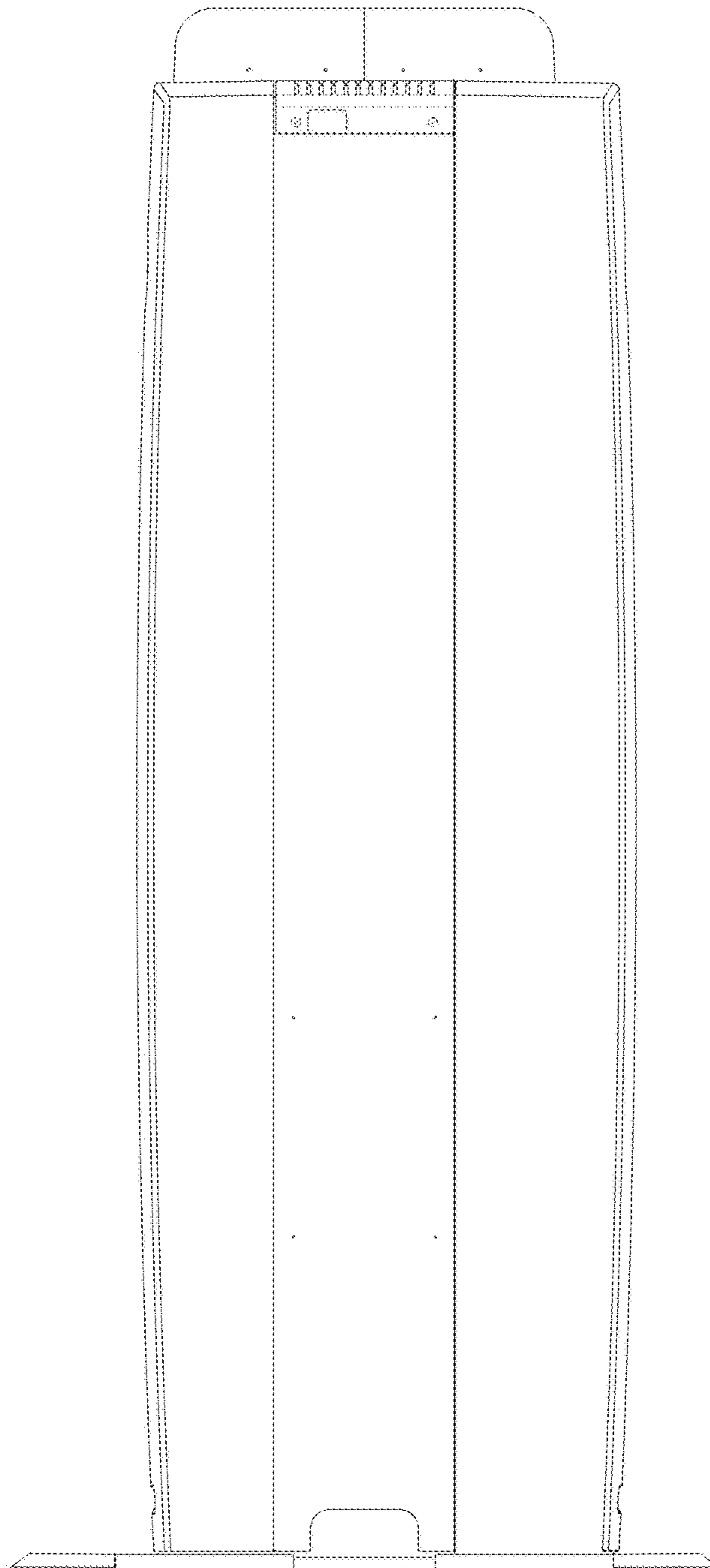


FIG. 3

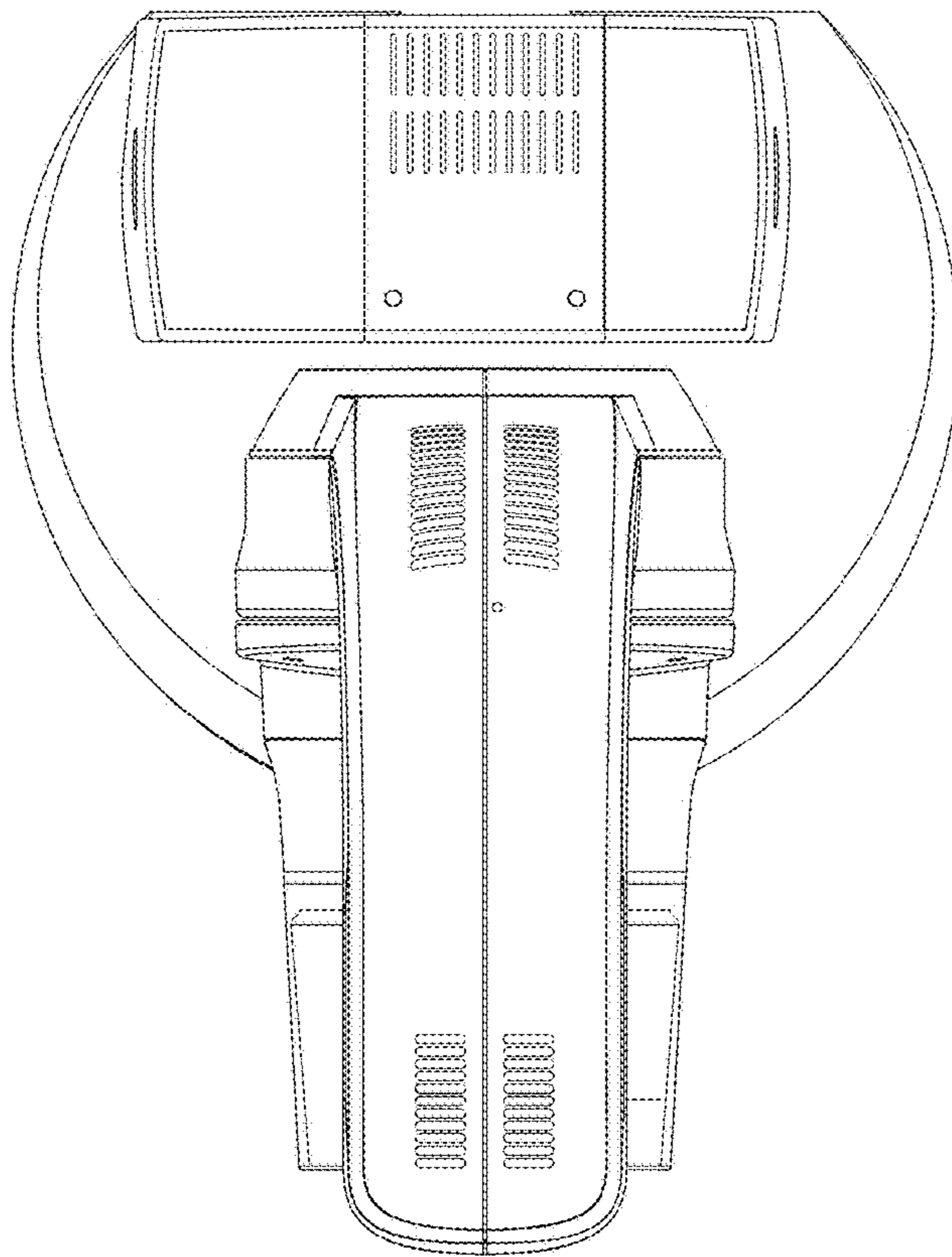


FIG. 4

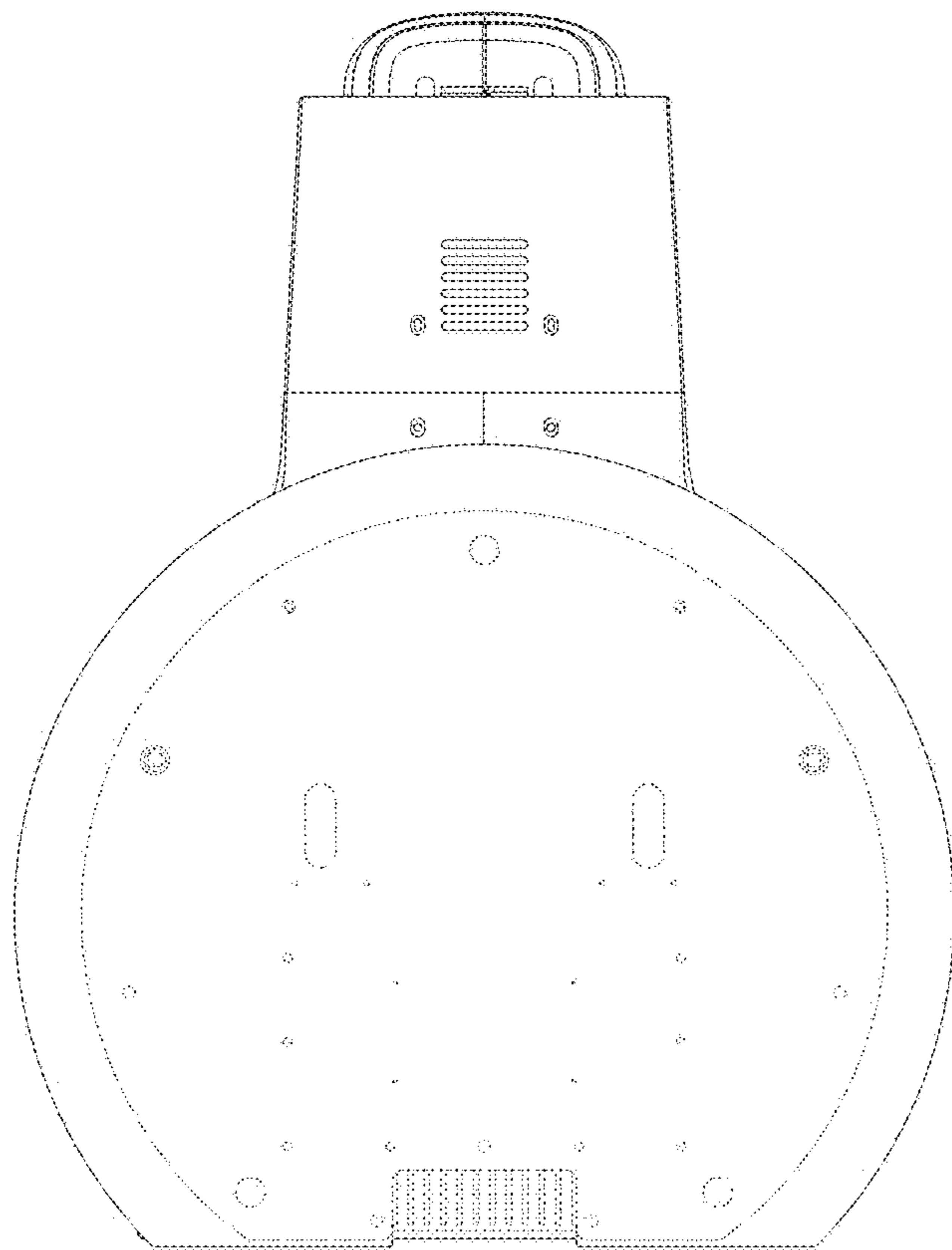


FIG. 5

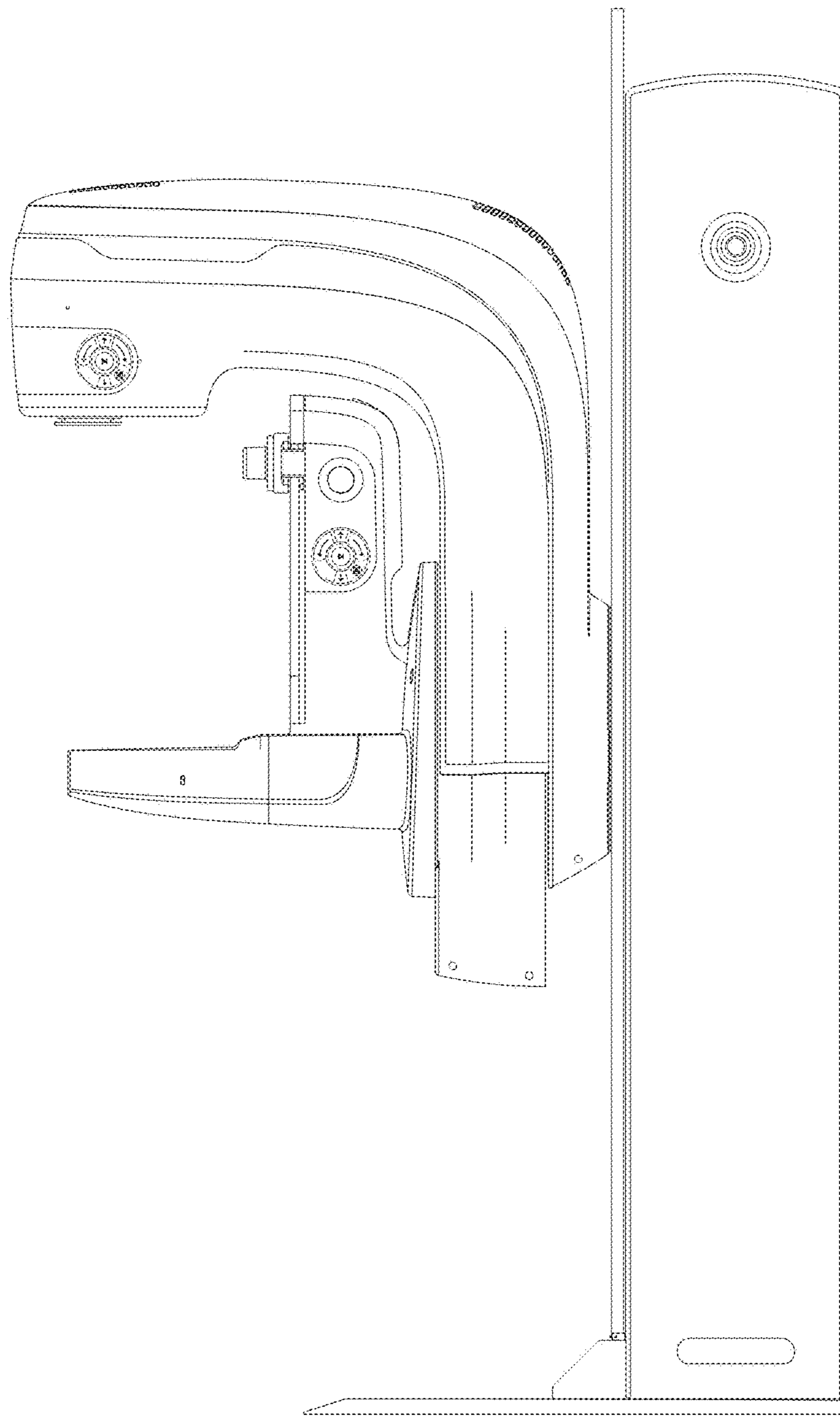


FIG. 6

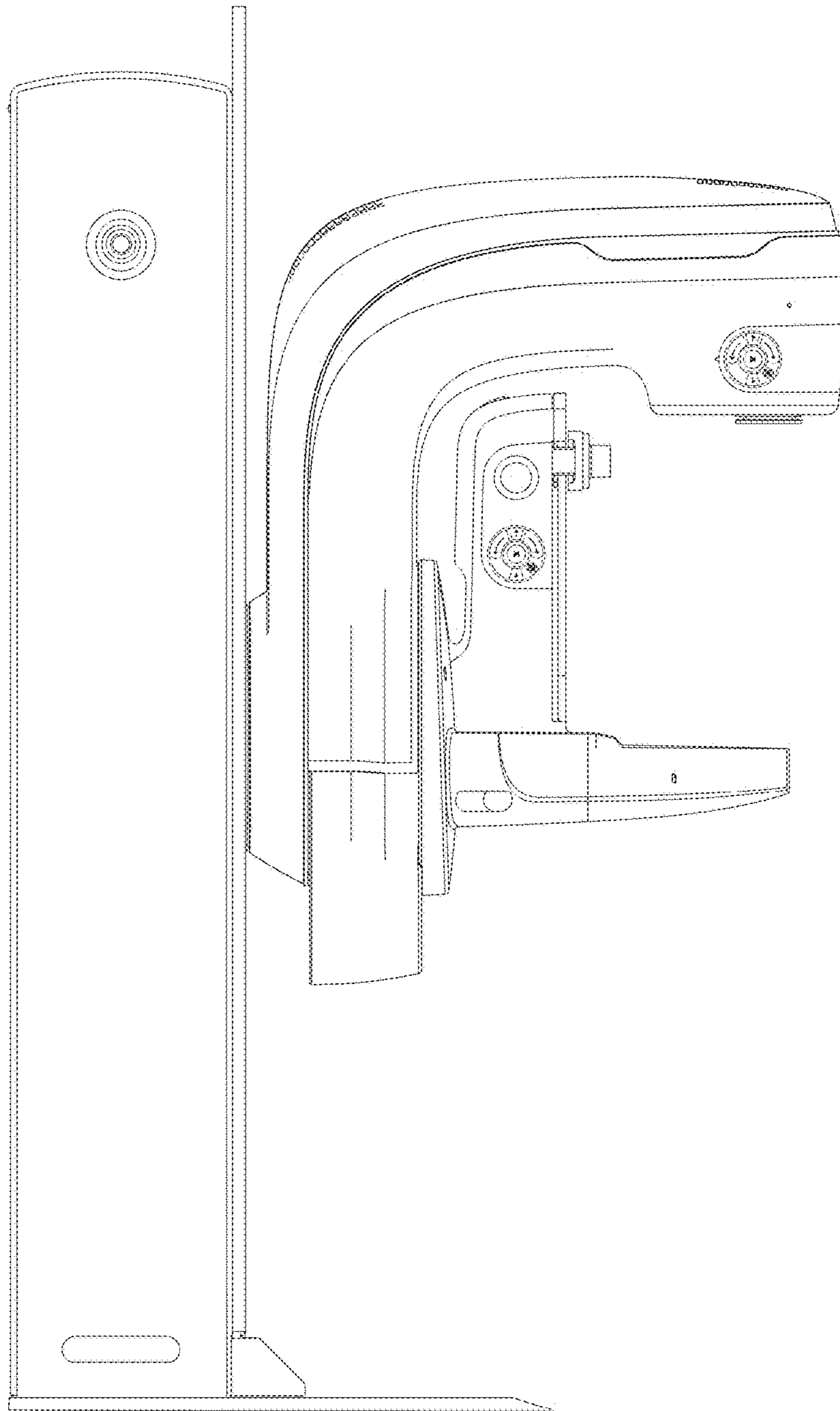


FIG. 7

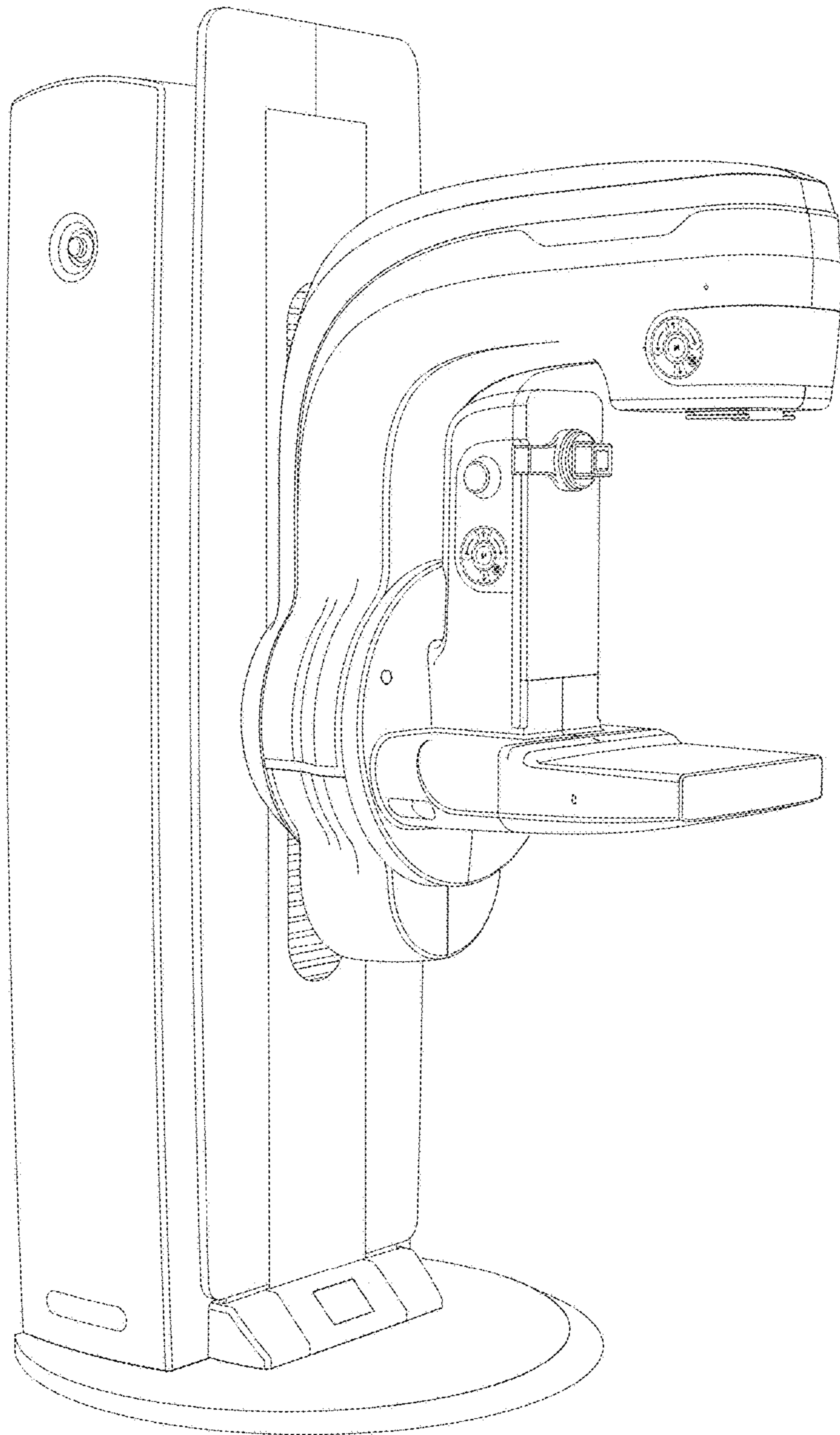


FIG. 8

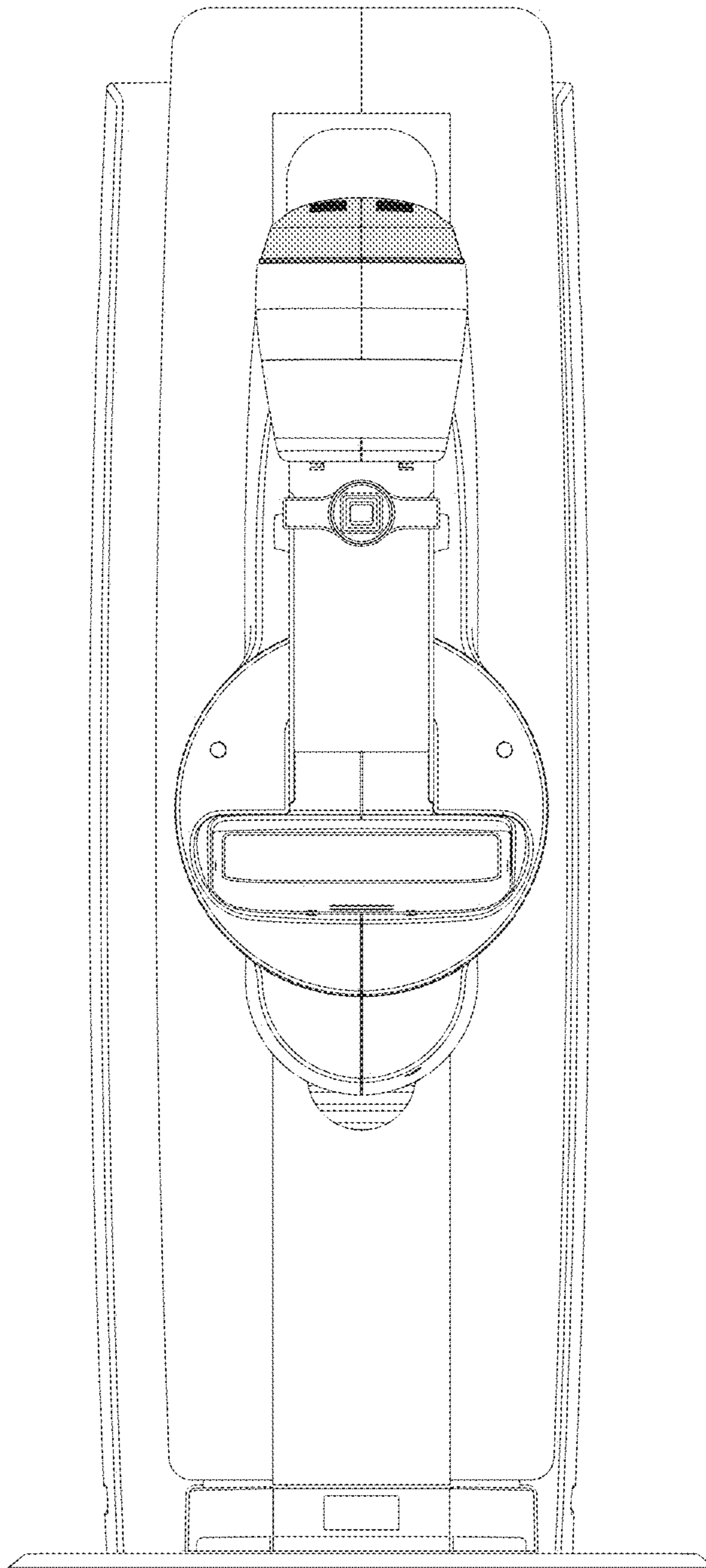


FIG. 9

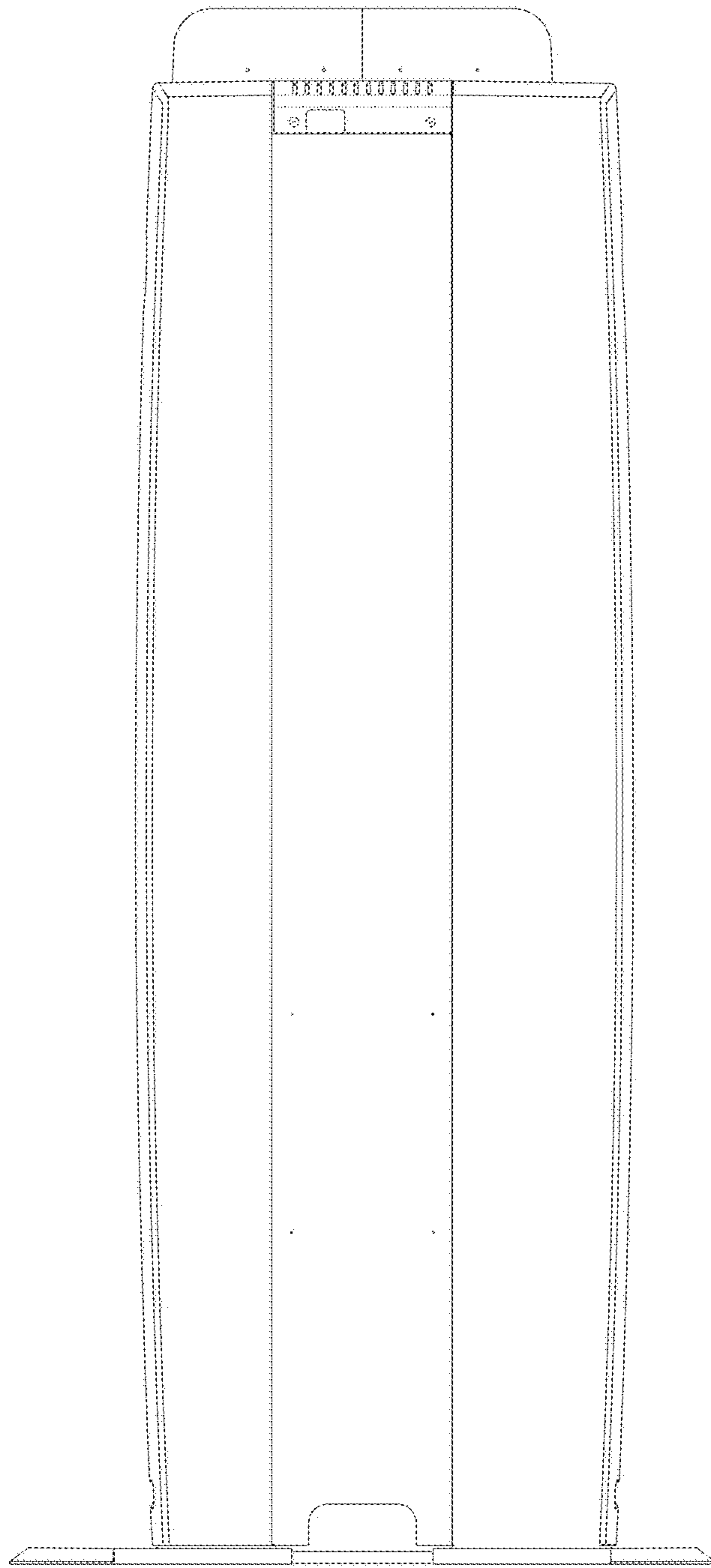


FIG. 10

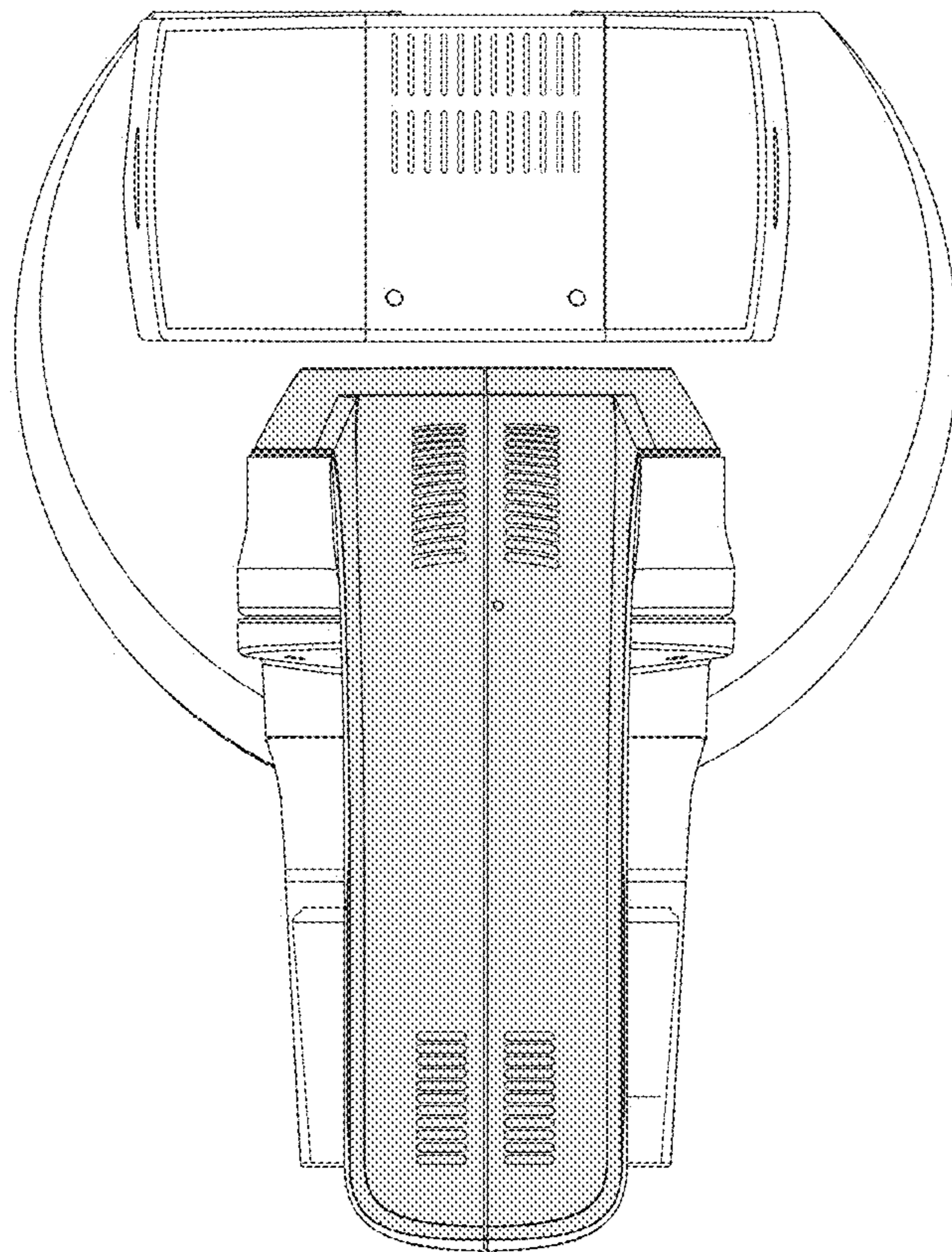


FIG. 11

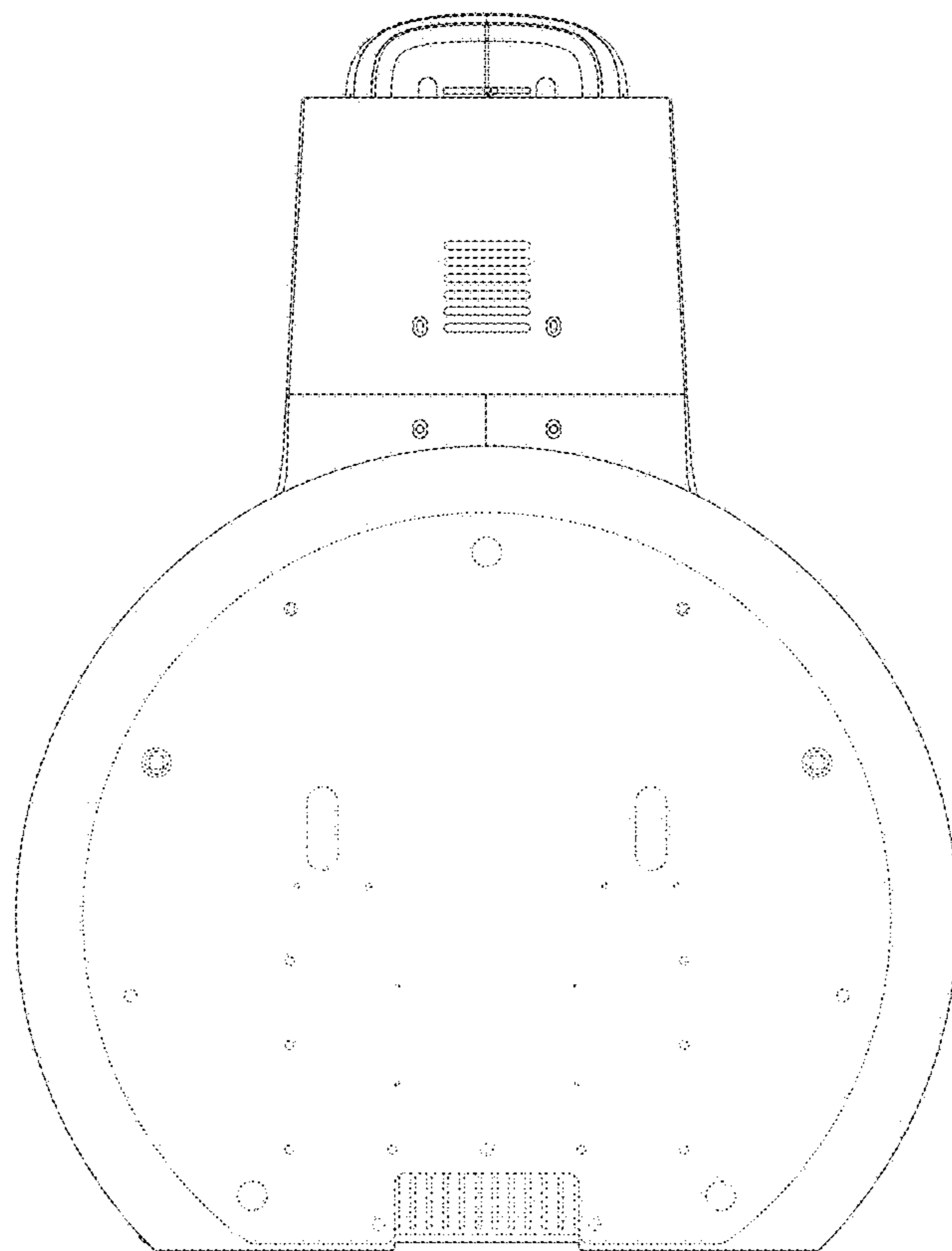


FIG. 12

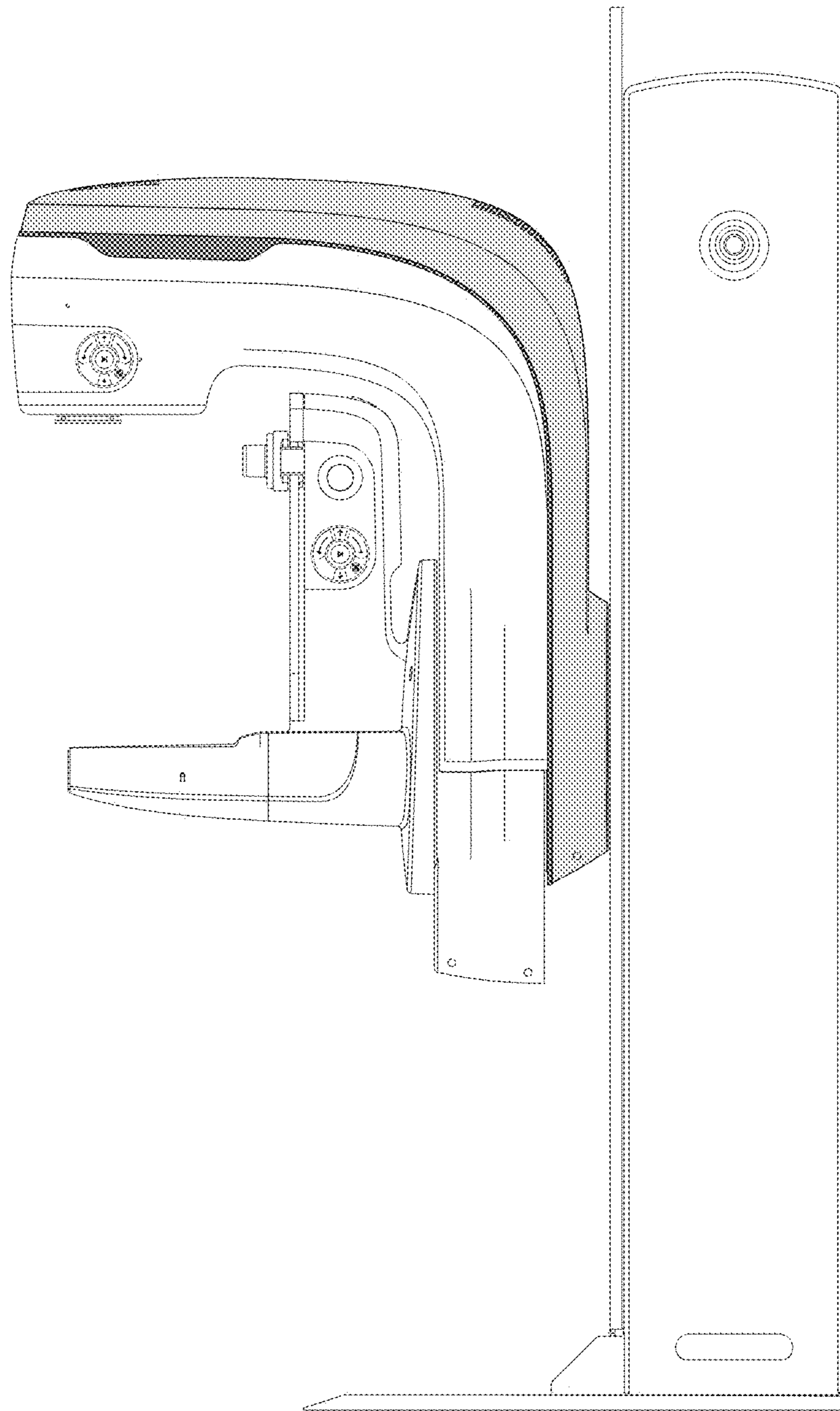


FIG. 13

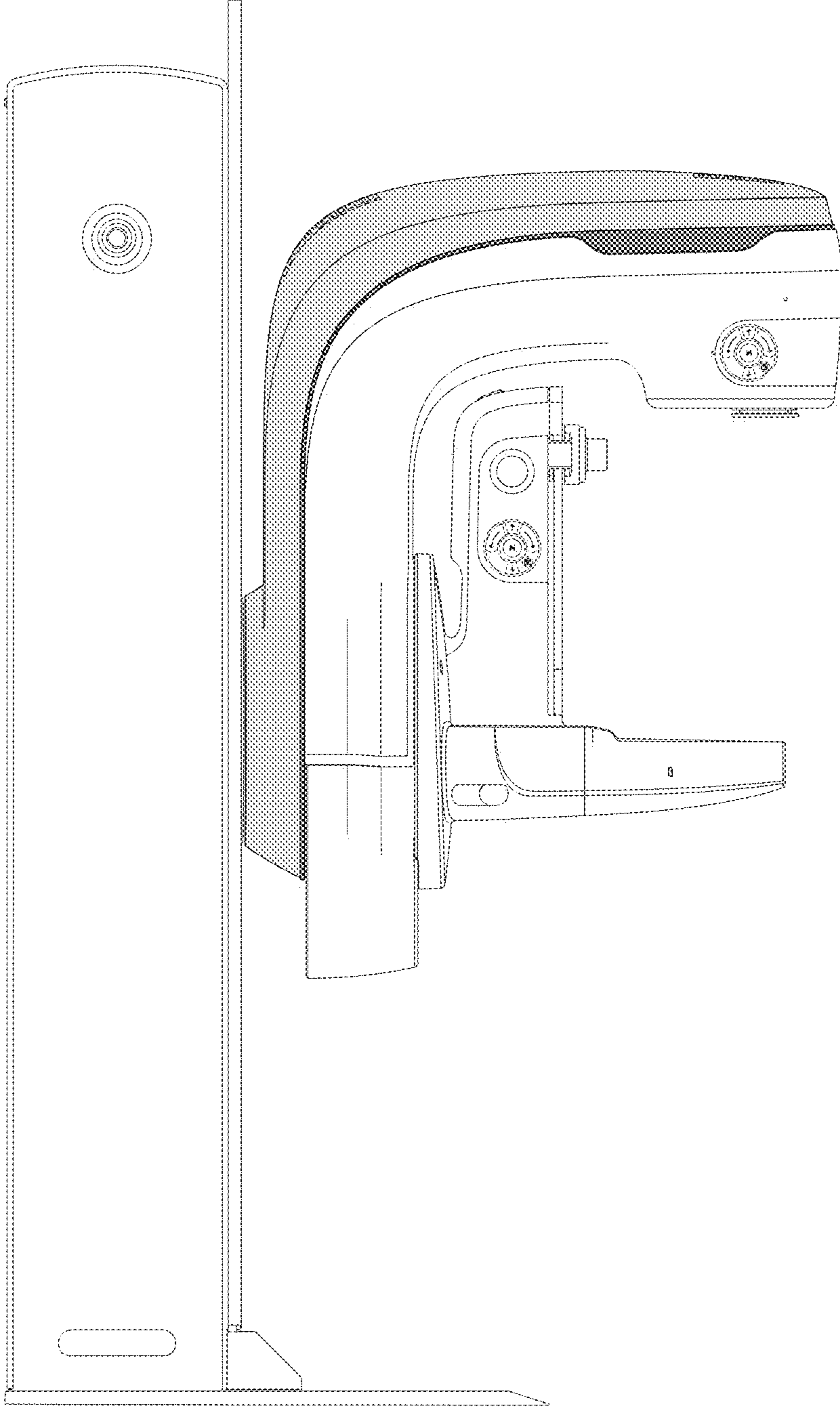


FIG. 14

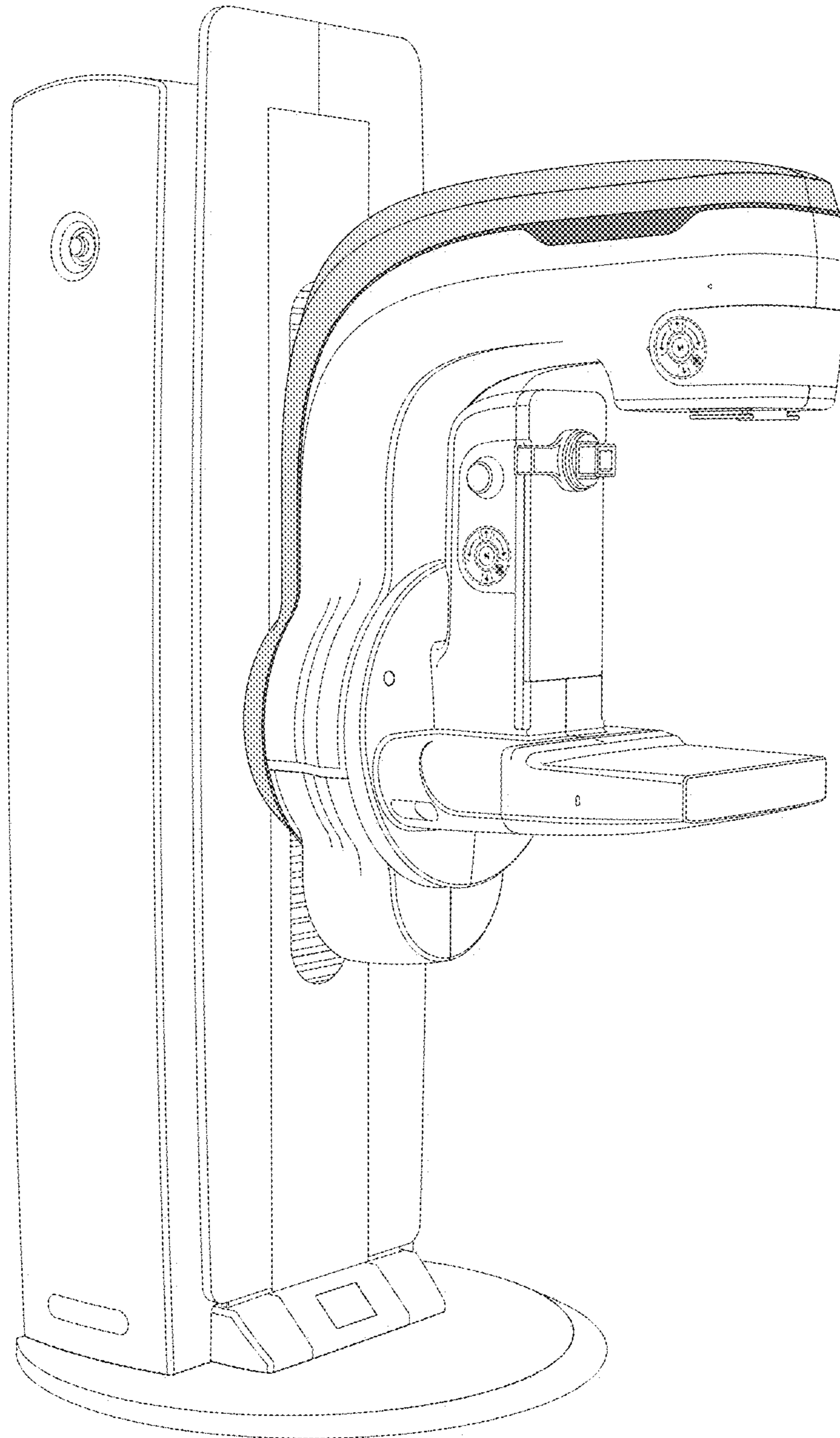


FIG. 15

