



US00D865965S

(12) **United States Design Patent** (10) **Patent No.:** **US D865,965 S**
Siciliano (45) **Date of Patent:** **** Nov. 5, 2019**

(54) **TATTOO MACHINE**
(71) Applicant: **FK Irons Inc**, Doral, FL (US)
(72) Inventor: **Gaston Siciliano**, Miami, FL (US)
(73) Assignee: **FK Irons, Inc.**, Doral, FL (US)
(**) Term: **15 Years**
(21) Appl. No.: **29/639,722**
(22) Filed: **Mar. 8, 2018**
(51) **LOC (12) Cl.** **24-02**
(52) **U.S. Cl.**
USPC **D24/146**
(58) **Field of Classification Search**
USPC D24/146, 147, 108, 133, 140, 117, 129,
D24/132, 137, 138, 144; 606/9, 116,
606/167, 186; 81/9.22; D28/7; D8/107;
D19/135, 136, 141, 142, 143, 144, 145,
D19/146, 147, 148, 149, 150, 151, 153,
D19/154, 155, 156, 157
CPC A61B 1/05; A61B 1/07; A61B 17/1671;
A61B 17/1617; A61B 2017/00398; A61B
17/3476; A61M 37/0076; A61M 37/0084;
A61M 5/46; A61M 37/0015
See application file for complete search history.

D389,578 S * 1/1998 Emerson D24/133
D389,915 S 1/1998 Emerson
D433,752 S 11/2000 Saravia
D434,149 S 11/2000 Mirhashemi
D439,337 S 3/2001 Jones
D440,310 S * 4/2001 Laks D24/112
D448,483 S * 9/2001 Behnke D24/146
D453,833 S * 2/2002 Hess D24/144
D457,955 S 5/2002 Bilitz
D465,279 S 11/2002 Etter
D490,152 S 5/2004 Myall
D493,530 S 7/2004 Reschke
D493,532 S 7/2004 Levaughn
D521,641 S 5/2006 Reschke
D535,396 S 1/2007 Reschke
D536,451 S 2/2007 Haydu
D538,934 S 3/2007 Wilkinson
D538,936 S 3/2007 Bohmel
D549,325 S 8/2007 Schnitzler
D549,779 S * 8/2007 Shimizu D19/203
D560,803 S * 1/2008 Tasse D24/130

(Continued)

Primary Examiner — Cathron C Brooks
Assistant Examiner — Samantha Q Lawrence
(74) *Attorney, Agent, or Firm* — Griffin C. Klema

(57) **CLAIM**

The ornamental design of a tattoo machine, as shown and described.

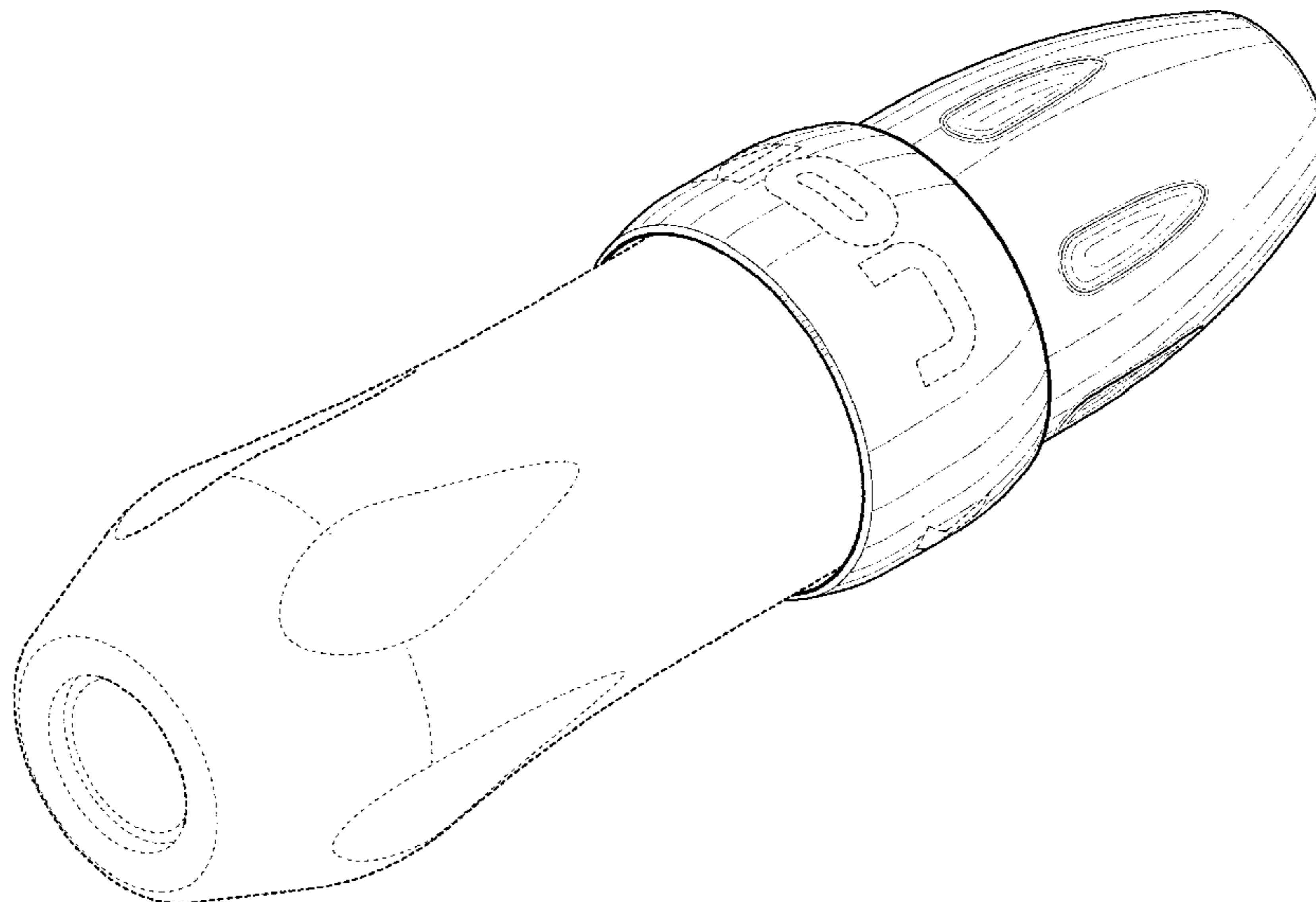
DESCRIPTION

FIG. 1 is a front bottom perspective view of a tattoo machine in accordance with the present invention;
FIG. 2 is a rear top perspective view thereof;
FIG. 3 is a side view thereof;
FIG. 4 is a side view thereof;
FIG. 5 is a bottom view thereof; and,
FIG. 6 is a top view thereof.
The broken lines shown in FIGS. 1-6 illustrate portions of the tattoo machine that form no part of the claimed design.

1 Claim, 5 Drawing Sheets

(56) **References Cited**
U.S. PATENT DOCUMENTS

D226,829 S 5/1973 Staub
D229,869 S 1/1974 Staub
D241,475 S 9/1976 Staub
D254,150 S 2/1980 Barton
D288,359 S 2/1987 Hoff
D294,388 S 2/1988 Hardy
D294,519 S 3/1988 Hardy
D364,923 S 12/1995 Chou
D376,204 S * 12/1996 Huculak D24/133
D380,046 S 6/1997 Domanowski



(56)

References Cited

U.S. PATENT DOCUMENTS

7,335,211 B2 2/2008 Chen
 D575,343 S * 8/2008 Cetera D19/199
 D581,530 S 11/2008 Thierfelder
 D582,981 S * 12/2008 Bhavnani D19/199
 D586,465 S * 2/2009 Faulkner D24/146
 D597,668 S 8/2009 Woodruff
 D612,051 S * 3/2010 Ruf D24/146
 D621,042 S * 8/2010 Ruf D24/146
 D622,000 S 8/2010 Kluge
 D628,293 S * 11/2010 Ruf D24/146
 D628,695 S * 12/2010 Ruf D24/146
 D634,426 S * 3/2011 Zollers D24/147
 D638,939 S 5/2011 Eikhoff
 D645,965 S * 9/2011 Muto D24/146
 D664,657 S 7/2012 Vieira
 D667,554 S * 9/2012 Casabonne D24/117
 D677,790 S 3/2013 Little
 D679,396 S 4/2013 Jan
 D691,263 S 10/2013 Chen
 8,920,379 B2 12/2014 Lee
 D723,685 S * 3/2015 Myers A61M 37/0076
 D736,915 S * 8/2015 Schultz D24/133
 D737,441 S * 8/2015 Presser D24/129
 D737,972 S * 9/2015 Chen A61M 37/0076
 D737,972 S * 9/2015 Chen D24/133
 9,126,027 B2 9/2015 Lin
 D743,546 S 11/2015 Jayaraj
 D745,152 S 12/2015 Mayer
 D750,243 S 2/2016 Tetzlaff

D750,258 S 2/2016 Crossley
 9,259,561 B2 * 2/2016 Lee A61M 37/0084
 D762,303 S 7/2016 Jayaraj
 D763,443 S 8/2016 Chen
 D765,841 S 9/2016 Schuerg
 D765,842 S 9/2016 Schuerg
 D766,432 S 9/2016 Schuerg
 D779,670 S * 2/2017 Krystyniak D24/146
 D781,419 S 3/2017 Bojanowski
 D782,041 S 3/2017 Pell
 D782,667 S * 3/2017 Fuhr D24/137
 D785,795 S * 5/2017 Amano D24/146
 D791,946 S 7/2017 Schwartz
 D791,947 S 7/2017 Chen
 D794,192 S 8/2017 Schuerg
 D794,193 S 8/2017 Schuerg
 D794,194 S 8/2017 Schuerg
 D803,398 S 11/2017 Israni
 D805,195 S 12/2017 Lee
 D805,196 S 12/2017 Lee
 D805,197 S 12/2017 Lee
 D805,198 S 12/2017 Lee
 D805,640 S * 12/2017 Lee D24/144
 D815,738 S 4/2018 Ye
 D819,207 S 5/2018 Blank
 D831,208 S 10/2018 Benisty
 D837,371 S 1/2019 Zu
 D837,372 S 1/2019 Zu
 D839,425 S * 1/2019 Zanata D24/144
 2018/0056054 A1 * 3/2018 Siciliano A61M 37/0076
 2018/0289902 A1 * 10/2018 Xiang A61M 5/46
 2018/0360487 A1 * 12/2018 Algeri A61B 17/88
 2018/0369553 A1 * 12/2018 Siciliano A61M 37/0015

* cited by examiner

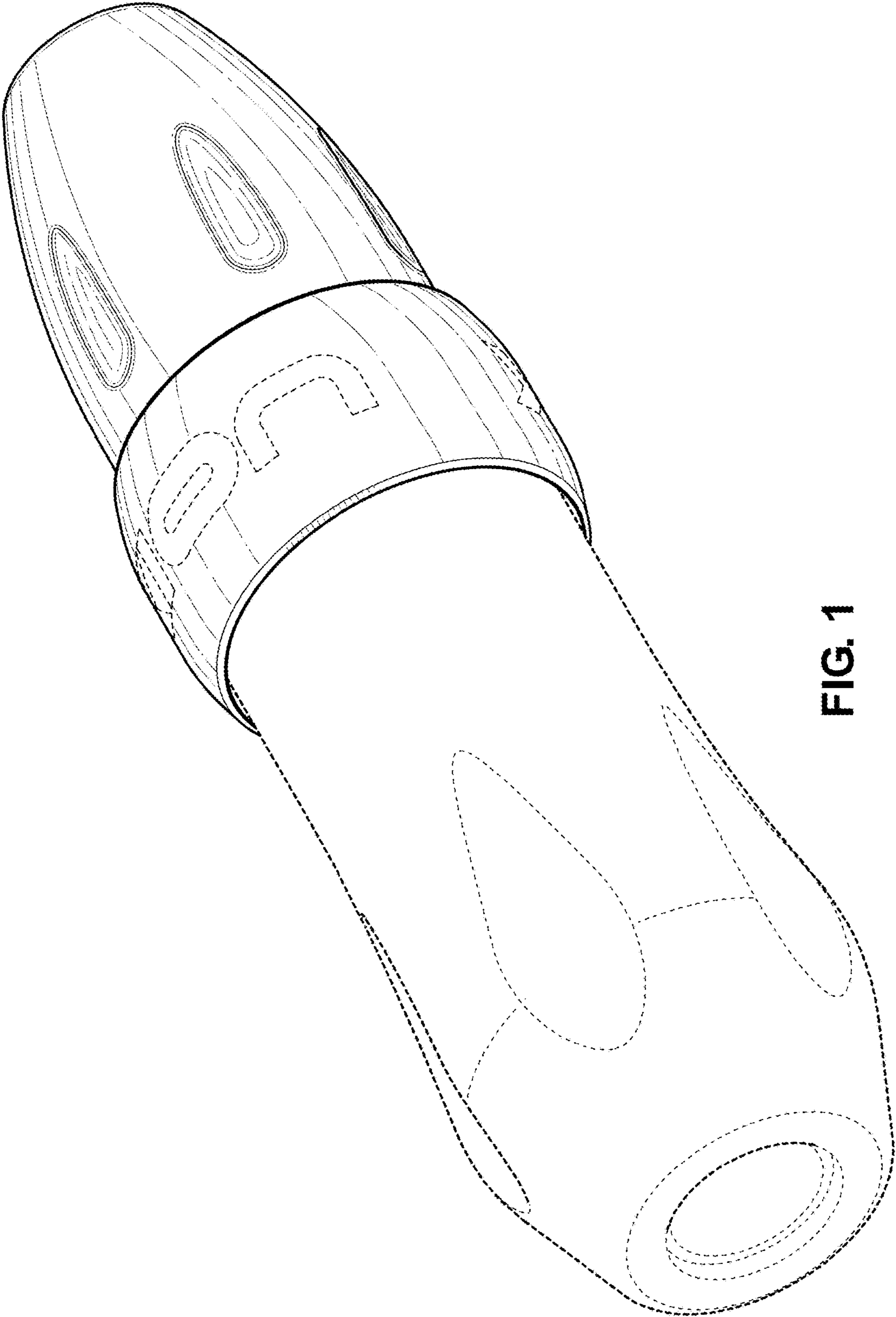


FIG. 1

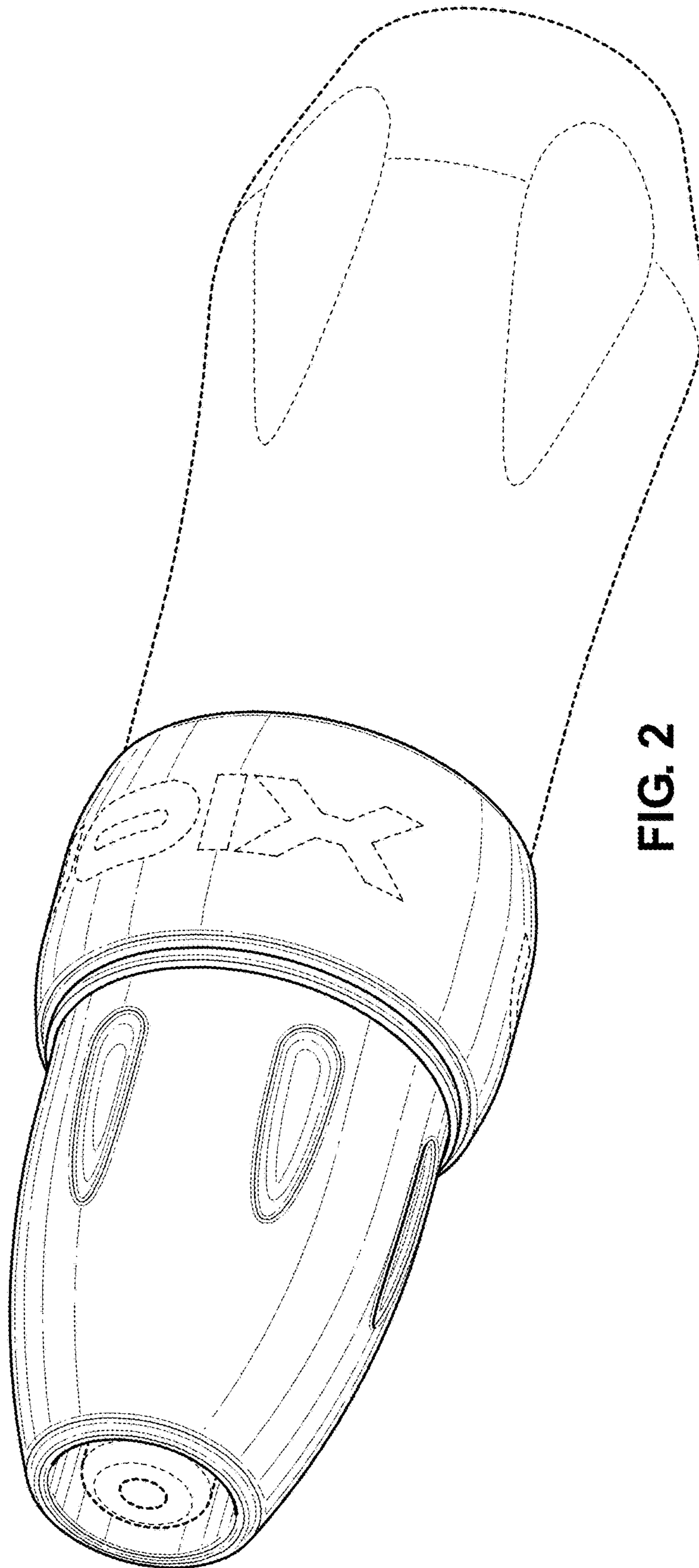


FIG. 2

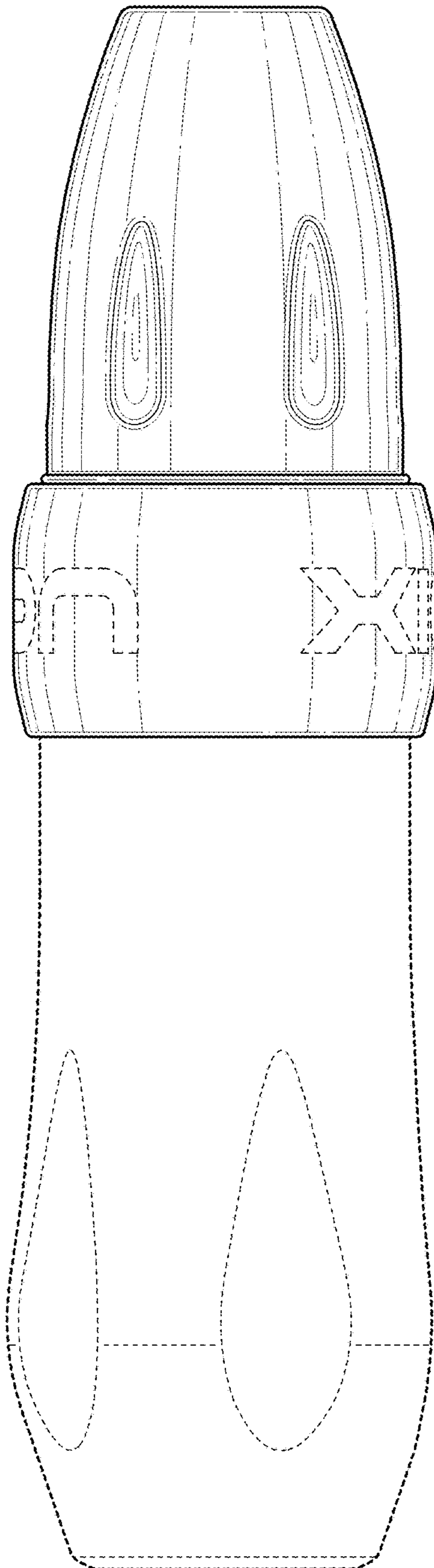


FIG. 3

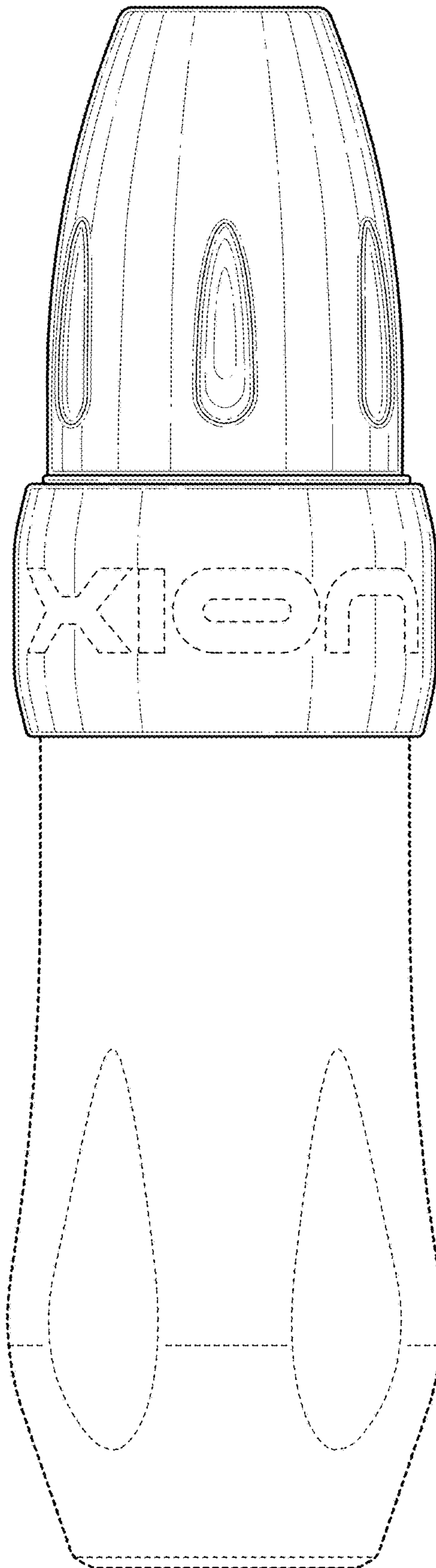


FIG. 4

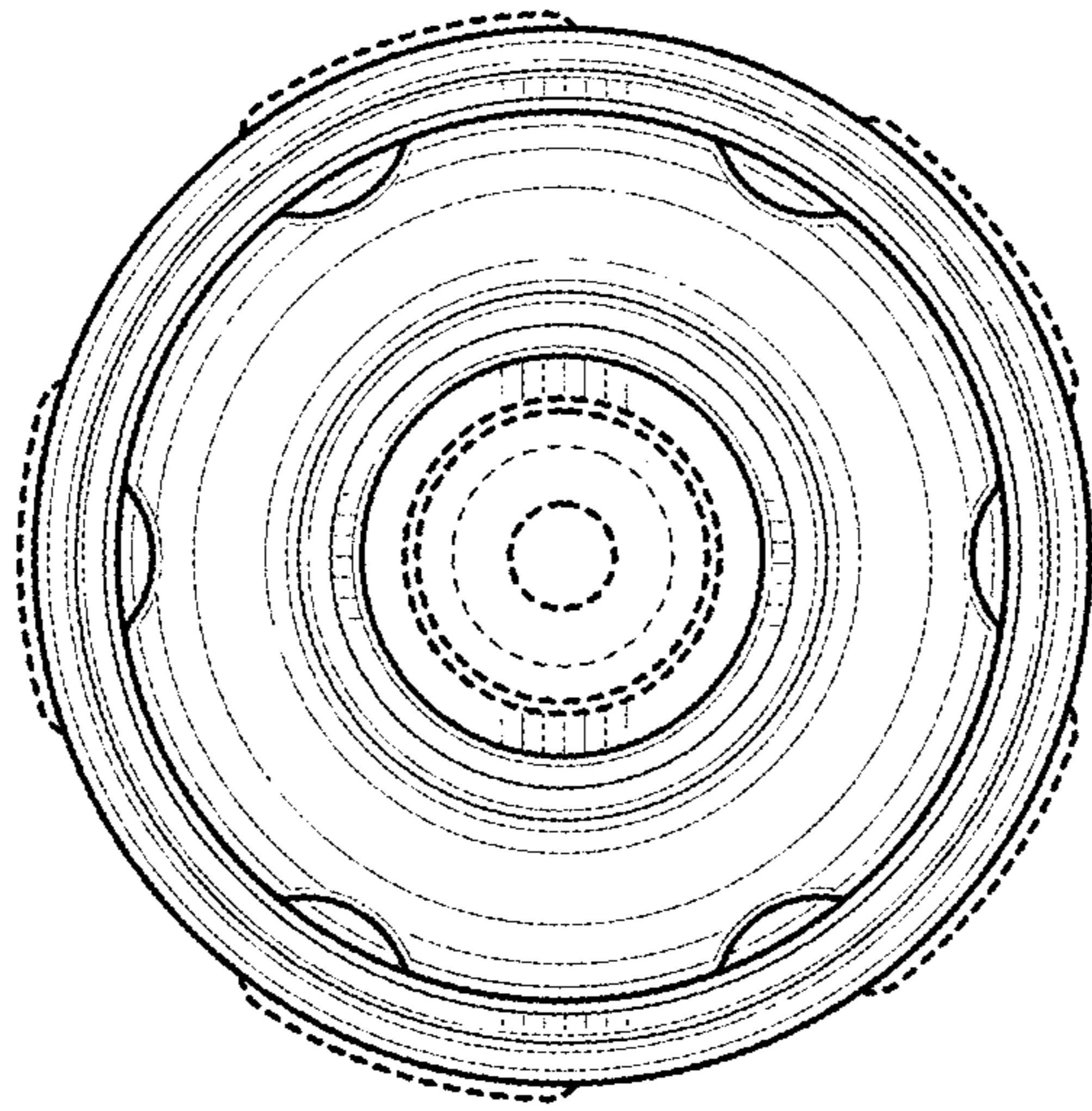


FIG. 6

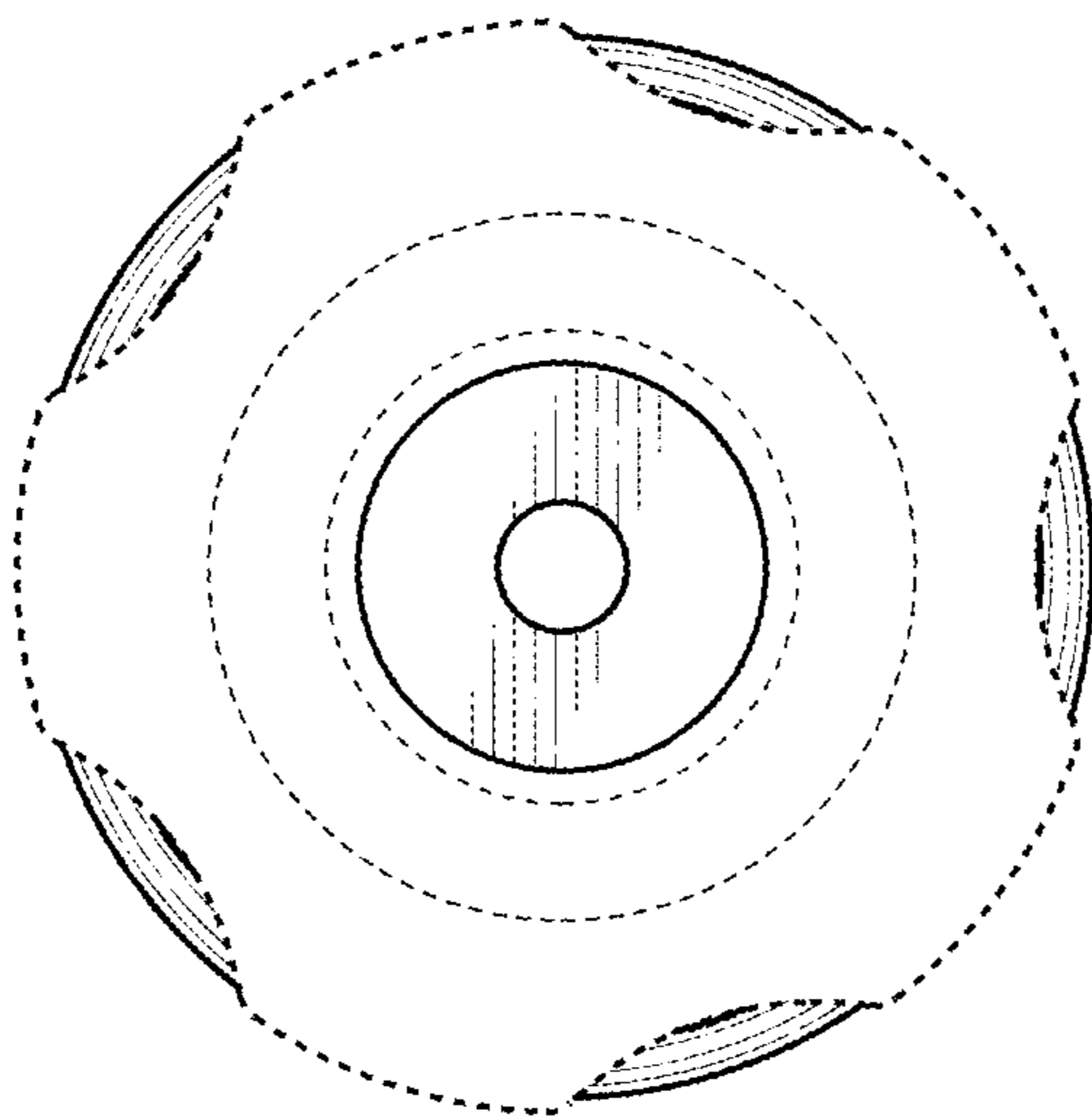


FIG. 5