



US00D865962S

(12) **United States Design Patent** (10) **Patent No.:** **US D865,962 S**
Tanaka et al. (45) **Date of Patent:** **** Nov. 5, 2019**

(54) **OPERATING DEVICE FOR ULTRASONIC CONTROL DEVICE**

(71) Applicant: **FUJIFILM Corporation**, Tokyo (JP)

(72) Inventors: **Kunihiko Tanaka**, Ashigarakami-gun (JP); **Koji Yoshida**, Ashigarakami-gun (JP)

(73) Assignee: **FUJIFILM Corporation**, Tokyo (JP)

(**) Term: **15 Years**

(21) Appl. No.: **29/596,416**

(22) Filed: **Mar. 8, 2017**

(30) **Foreign Application Priority Data**

Sep. 9, 2016 (JP) 2016-019589

(51) **LOC (12) Cl.** **24-02**

(52) **U.S. Cl.**
USPC **D24/138**

(58) **Field of Classification Search**
USPC D24/108, 113, 127, 138, 137, 133, 147,
D24/144; D14/417

CPC A61B 1/005
See application file for complete search history.

(56) **References Cited**

U.S. PATENT DOCUMENTS

D378,414 S * 3/1997 Allen D24/165
D403,070 S * 12/1998 Maeda D24/165
D473,945 S * 4/2003 Nakanishi D24/165
D631,160 S * 1/2011 Schurg D24/144
D665,501 S * 8/2012 Shibata D24/165

D719,263 S * 12/2014 Shibata D24/165
D720,073 S * 12/2014 Shibata D24/165
D783,164 S * 4/2017 Tanaka D24/138
D801,525 S * 10/2017 Ohno D24/138
D802,132 S * 11/2017 Ohno D24/138
D819,811 S * 6/2018 Ohno D24/138
D820,446 S * 6/2018 Ohno D24/138
2016/0220097 A1 * 8/2016 Ohno A61B 1/00006

* cited by examiner

Primary Examiner — Eliza Z Bennett-Hattan

(74) *Attorney, Agent, or Firm* — Sughrue Mion, PLLC

(57) **CLAIM**

The ornamental design for an operating device for ultrasonic control device, as shown and described.

DESCRIPTION

FIG. 1 is a top, front and right side perspective view of an operating device for ultrasonic control device showing our new design;

FIG. 2 is a front elevational view thereof;

FIG. 3 is a rear elevational view thereof;

FIG. 4 is a top plan view thereof;

FIG. 5 is a bottom plan view thereof;

FIG. 6 is a left side elevational view thereof;

FIG. 7 is a view of the operating device for ultrasonic control device in an environment of use; and,

FIG. 8 is a view of the operating device for ultrasonic control device in an environment of use.

The broken lines showing the portions of the operating device in all views are for illustrative purposes only and form no part of the claimed design.

1 Claim, 8 Drawing Sheets

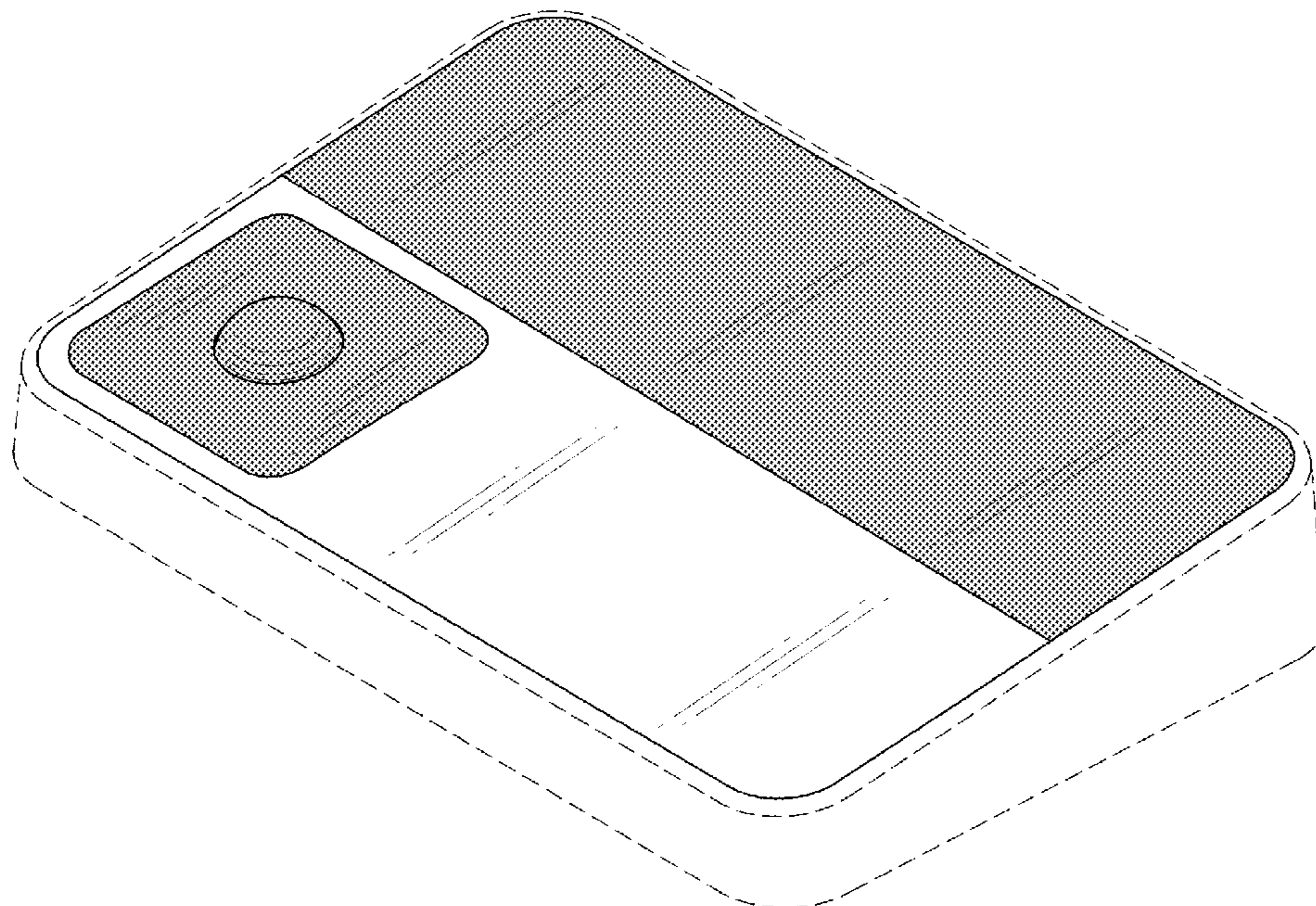


FIG. 1

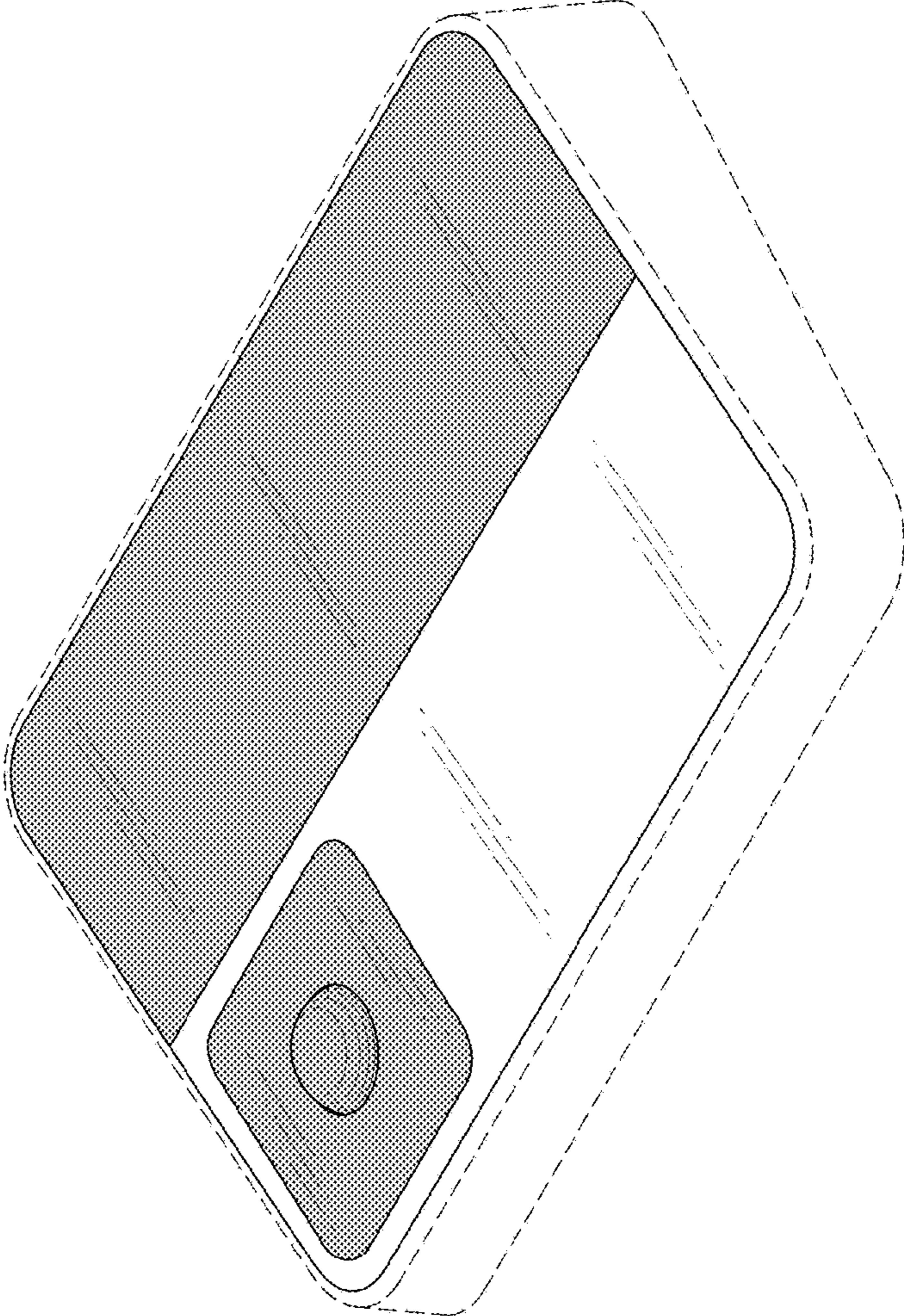


FIG. 2

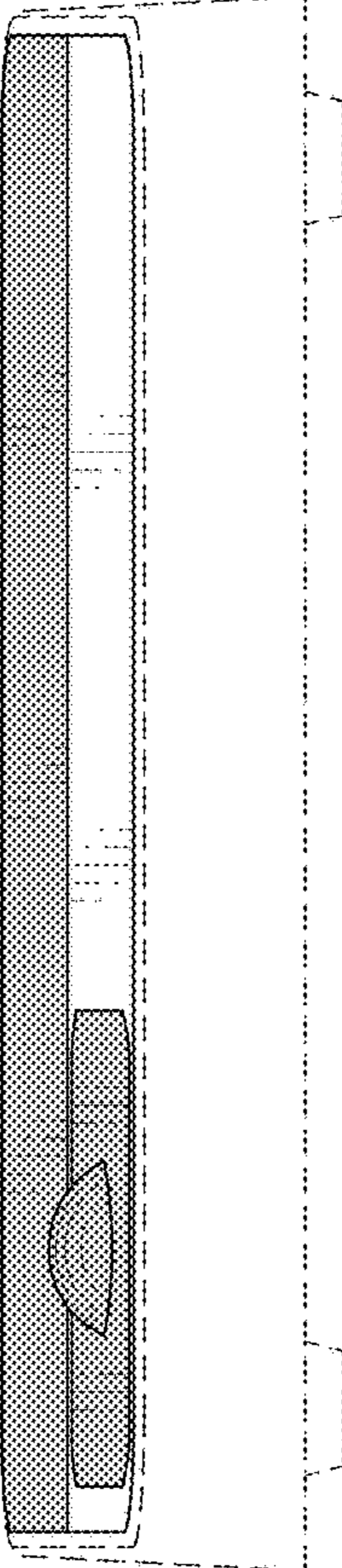


FIG. 3

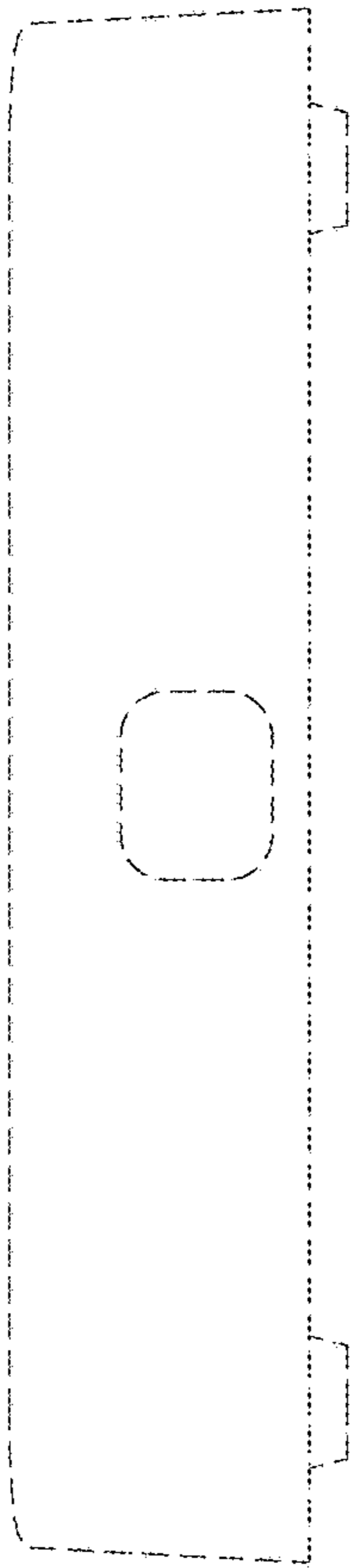


FIG. 4

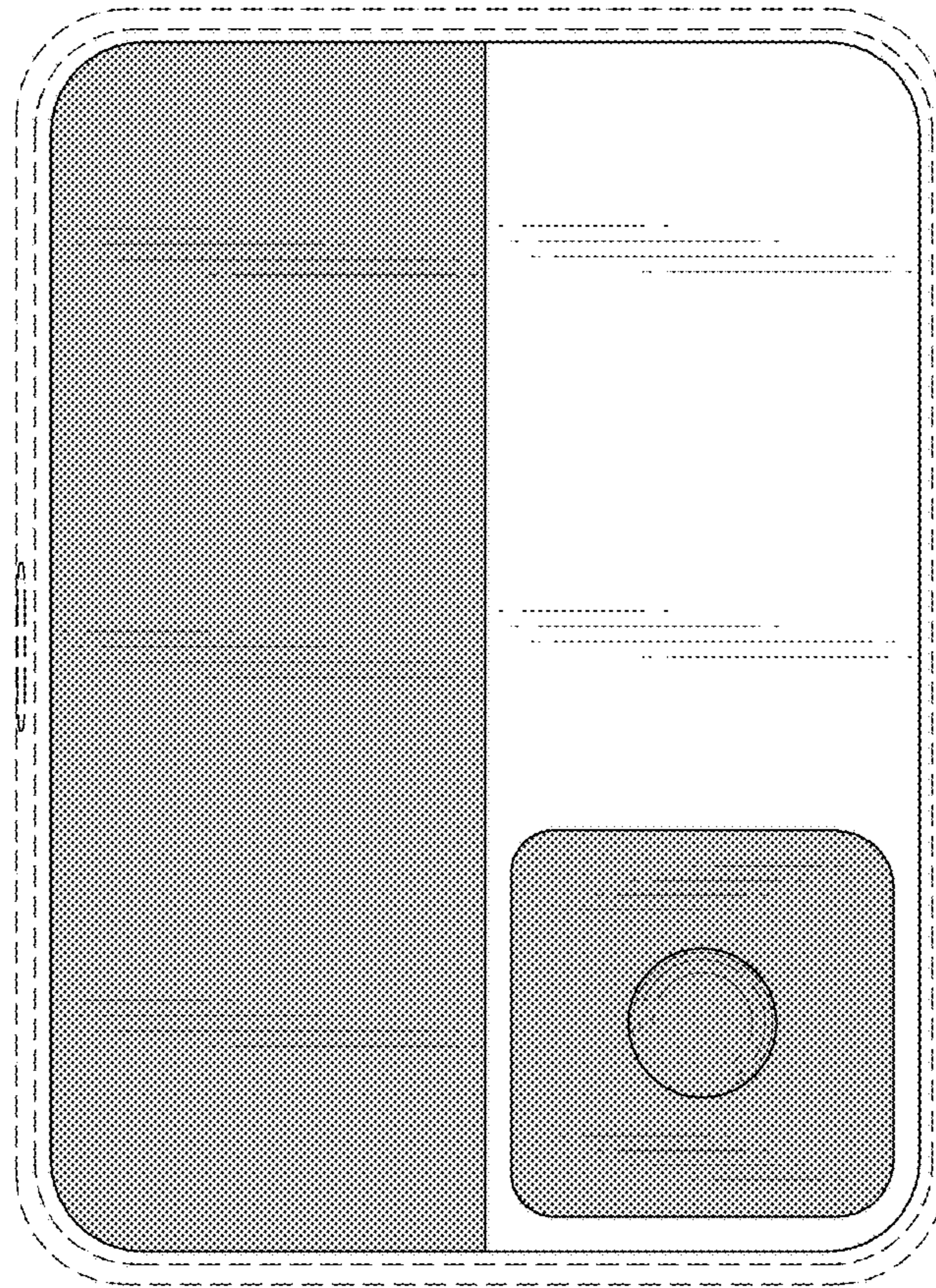


FIG. 5

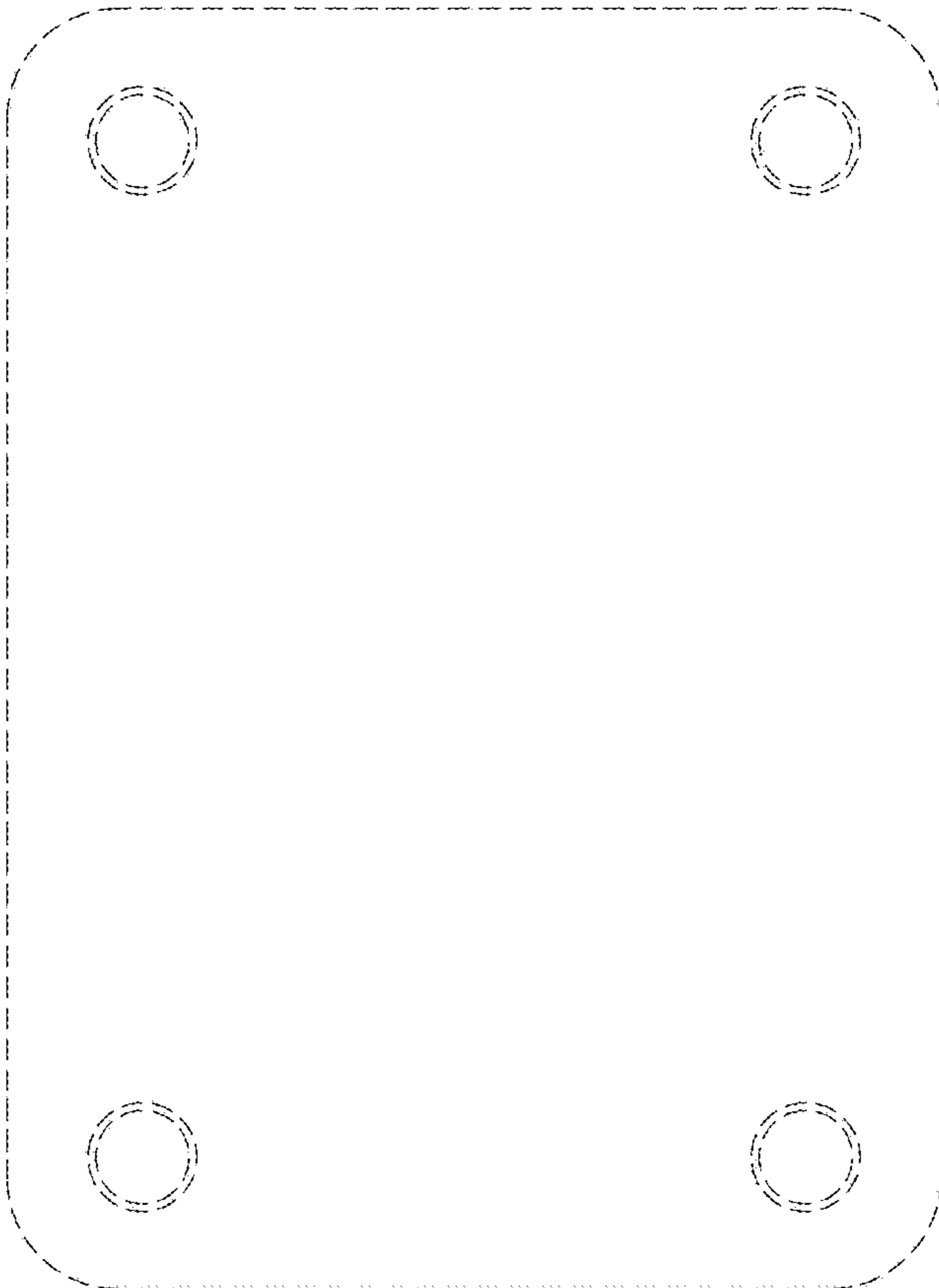


FIG. 6

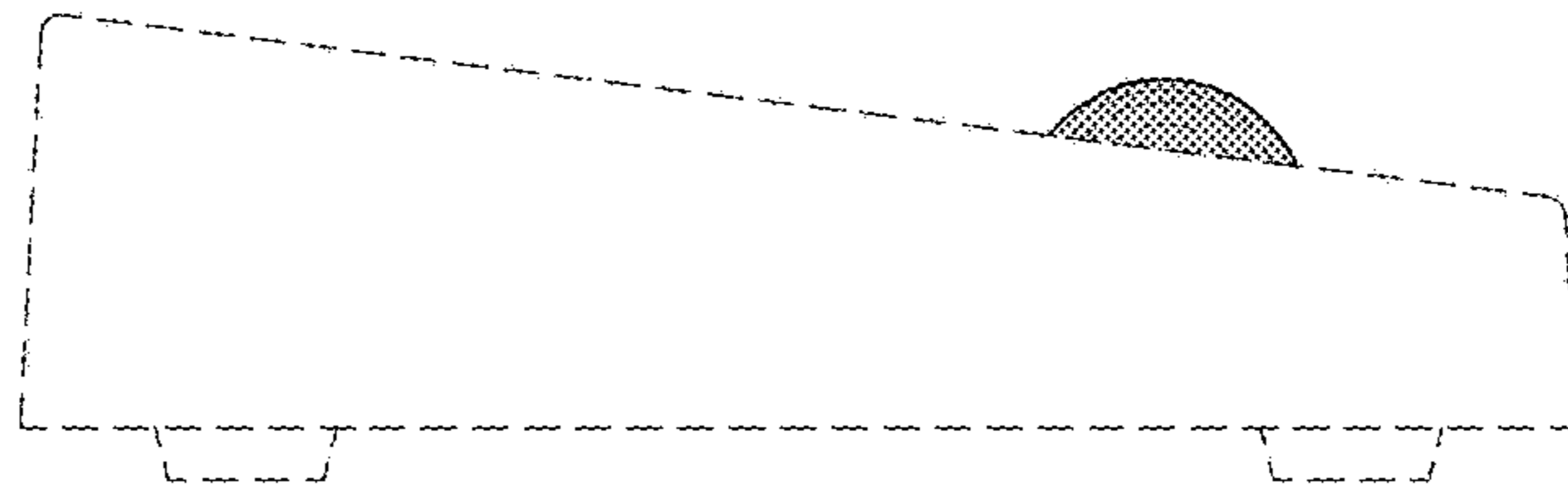


FIG. 7

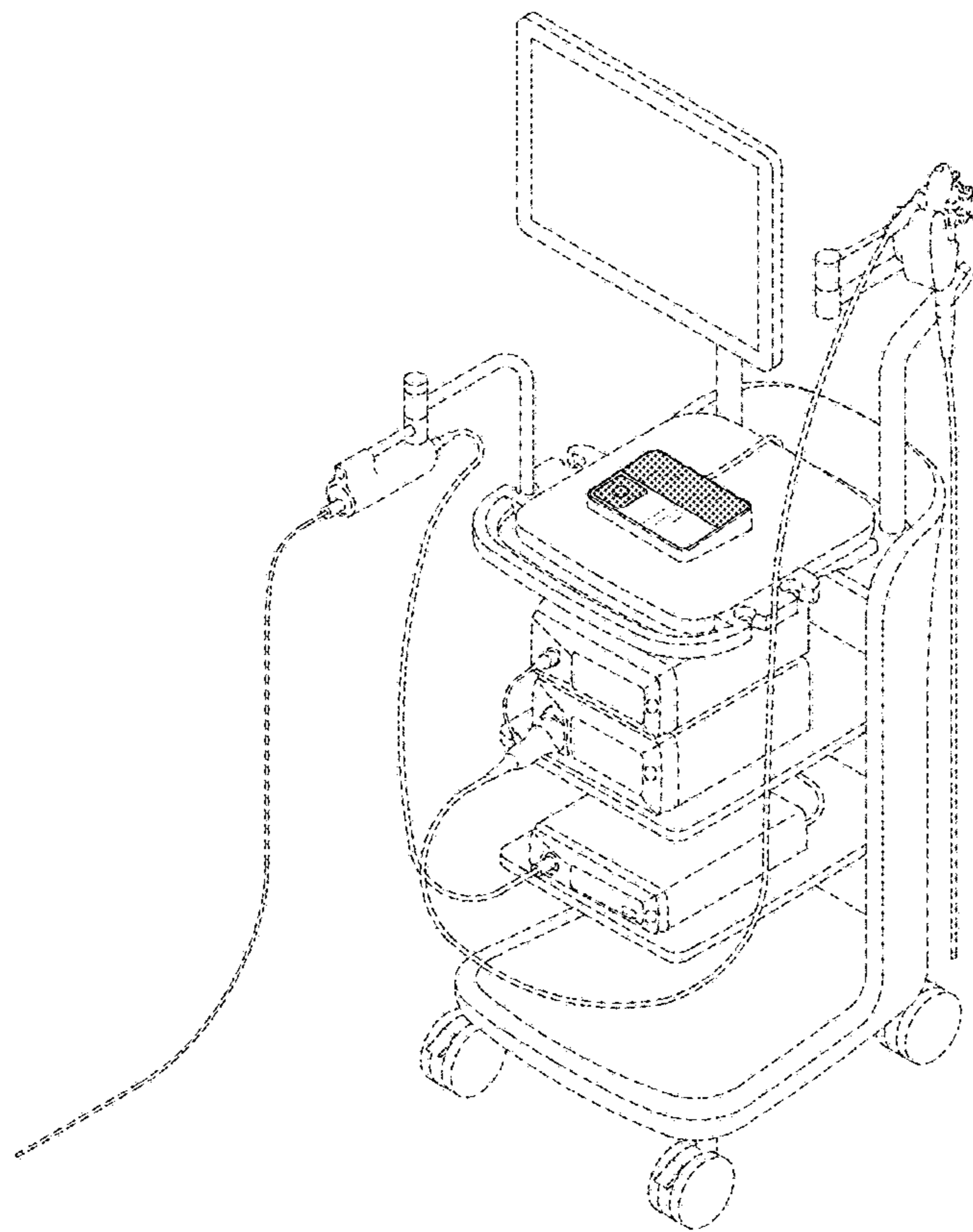


FIG. 8

