



US00D865961S

(12) **United States Design Patent** (10) **Patent No.:** **US D865,961 S**
Tanaka et al. (45) **Date of Patent:** **** Nov. 5, 2019**

(54) **OPERATING DEVICE FOR ULTRASONIC CONTROL DEVICE**

(71) Applicant: **FUJIFILM Corporation**, Tokyo (JP)

(72) Inventors: **Kunihiko Tanaka**, Ashigarakami-gun (JP); **Koji Yoshida**, Ashigarakami-gun (JP)

(73) Assignee: **FUJIFILM Corporation**, Tokyo (JP)

(**) Term: **15 Years**

(21) Appl. No.: **29/596,387**

(22) Filed: **Mar. 8, 2017**

(30) **Foreign Application Priority Data**

Sep. 9, 2016 (JP) 2016-019587

(51) **LOC (12) Cl.** **24-02**

(52) **U.S. Cl.**
USPC **D24/138**

(58) **Field of Classification Search**
USPC D24/108, 113, 127, 138, 137, 133, 147,
D24/144; D14/417

CPC A61B 1/005
See application file for complete search history.

(56) **References Cited**

U.S. PATENT DOCUMENTS

D378,414 S * 3/1997 Allen D24/165
D403,070 S * 12/1998 Maeda D24/165
D473,945 S * 4/2003 Nakanishi D24/165
D631,160 S * 1/2011 Schurg D24/144
D665,501 S * 8/2012 Shibata D24/165

D719,263 S * 12/2014 Shibata D24/165
D720,073 S * 12/2014 Shibata D24/165
D783,164 S * 4/2017 Tanaka D24/138
D801,525 S * 10/2017 Ohno D24/138
D802,132 S * 11/2017 Ohno D24/138
D819,811 S * 6/2018 Ohno D24/138
D820,446 S * 6/2018 Ohno D24/138
2016/0220097 A1 * 8/2016 Ohno A61B 1/00006

* cited by examiner

Primary Examiner — Eliza Z Bennett-Hattan

(74) *Attorney, Agent, or Firm* — Sughrue Mion, PLLC

(57) **CLAIM**

The ornamental design for an operating device for ultrasonic control device, as shown and described.

DESCRIPTION

FIG. 1 is a top, front and right side perspective view of an operating device for ultrasonic control device showing our new design;

FIG. 2 is a front elevational view thereof;

FIG. 3 is a rear elevational view thereof;

FIG. 4 is a top plan view thereof;

FIG. 5 is a bottom plan view thereof;

FIG. 6 is a left side elevational view thereof;

FIG. 7 is a view of the operating device for ultrasonic control device in an environment of use; and,

FIG. 8 is a view of the operating device for ultrasonic control device in an environment of use.

The broken lines showing the portions of the operating device in FIGS. 3 and 4 are for illustrative purposes only and form no part of the claimed design.

1 Claim, 7 Drawing Sheets

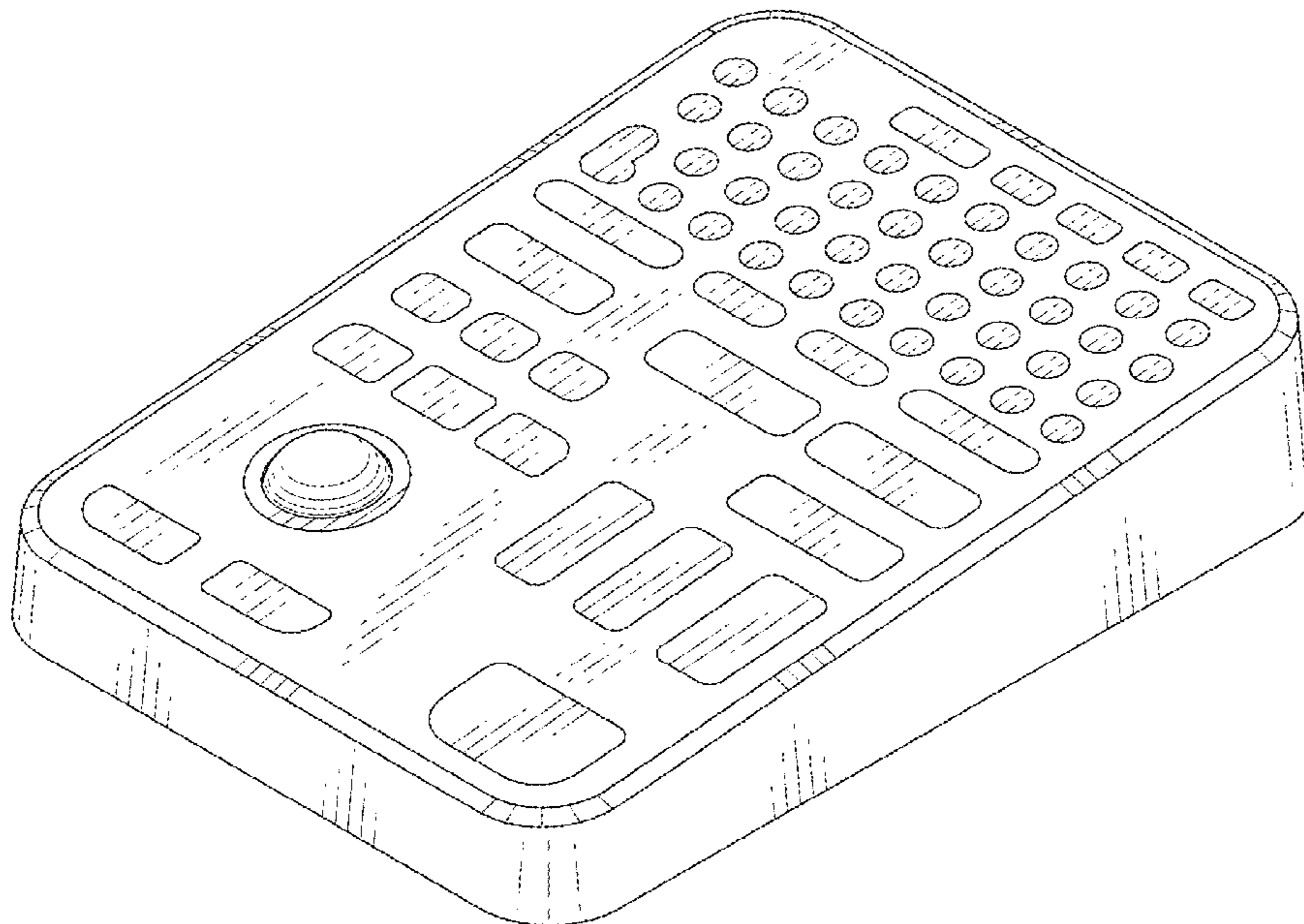


FIG. 1

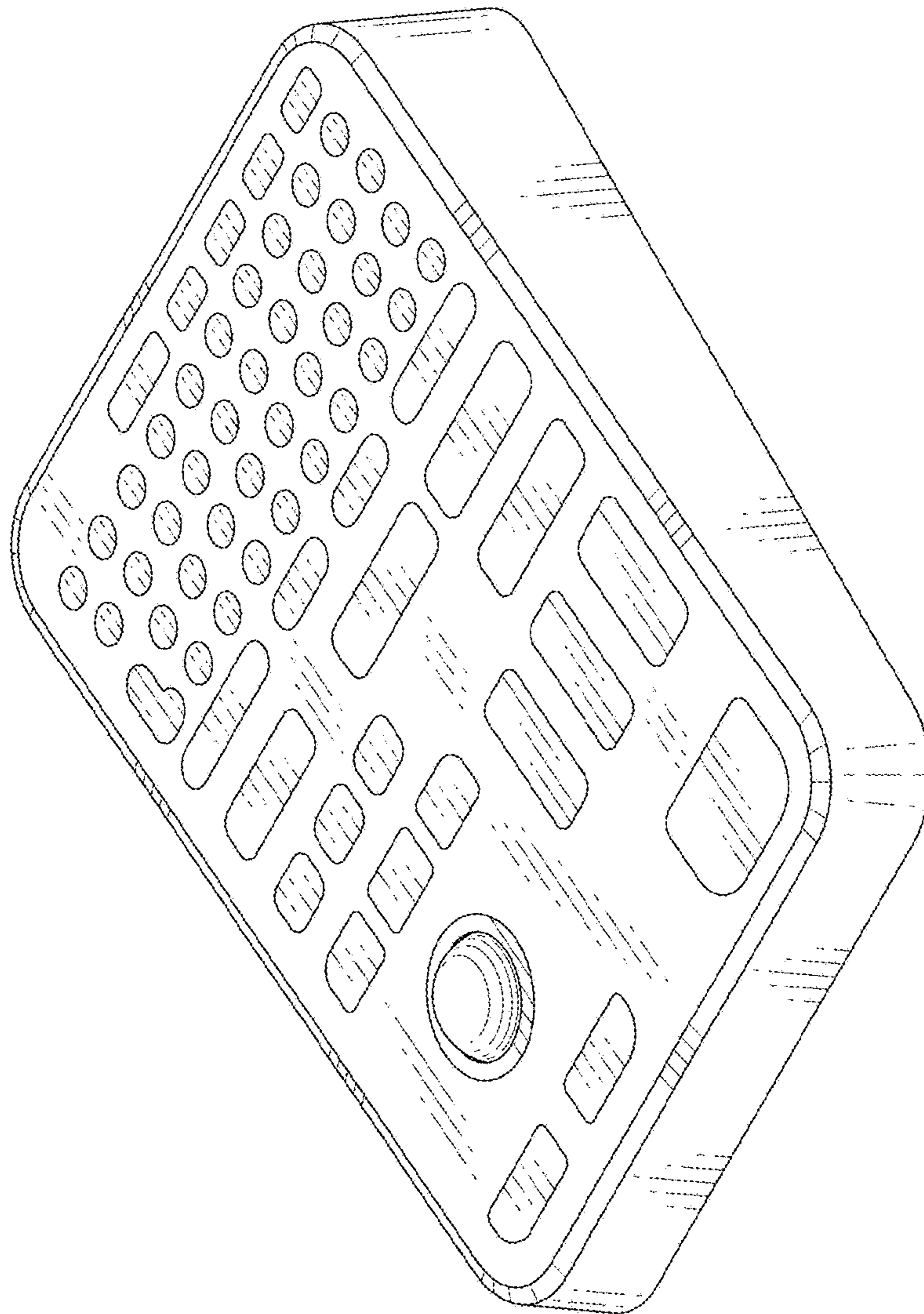


FIG. 2

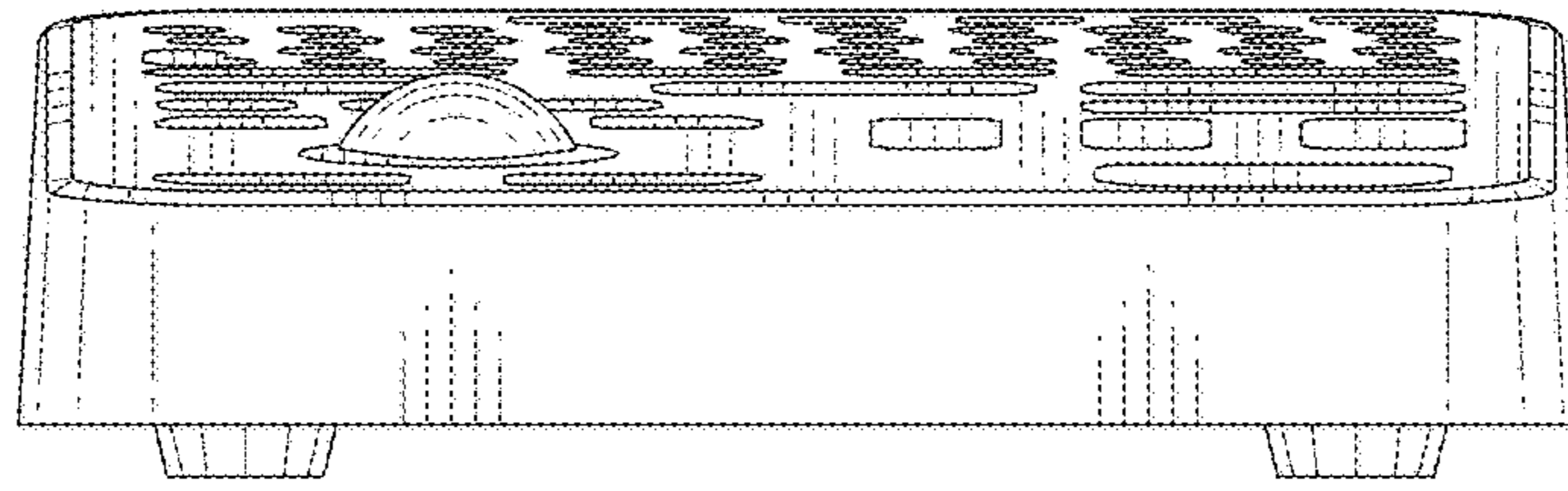


FIG. 3

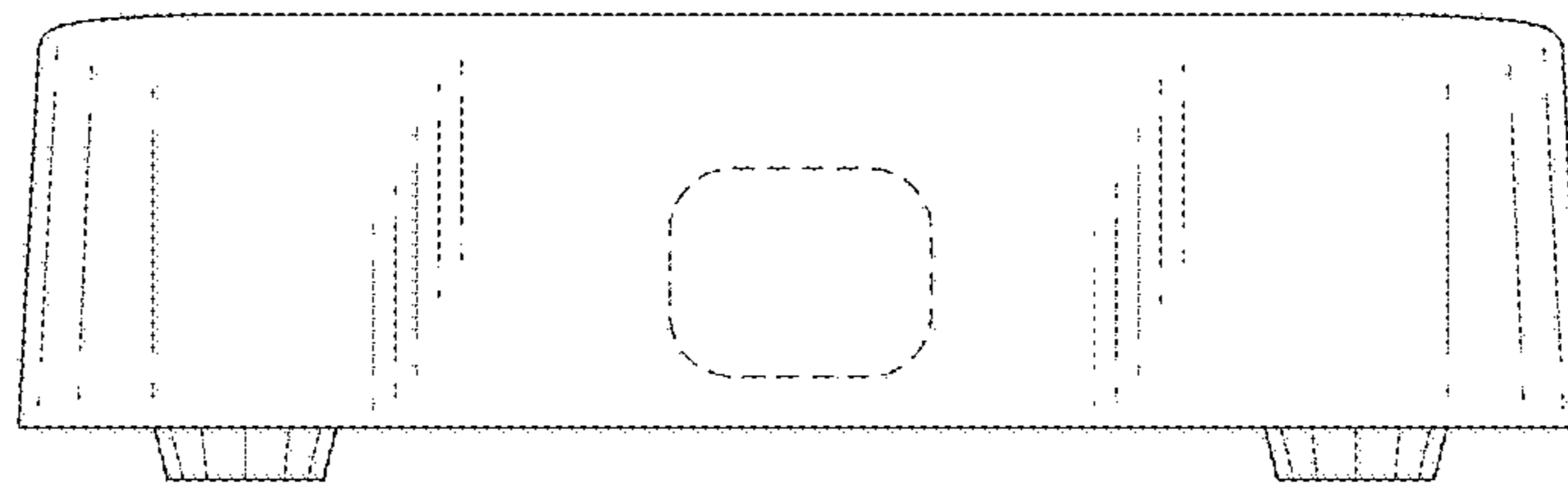


FIG. 4

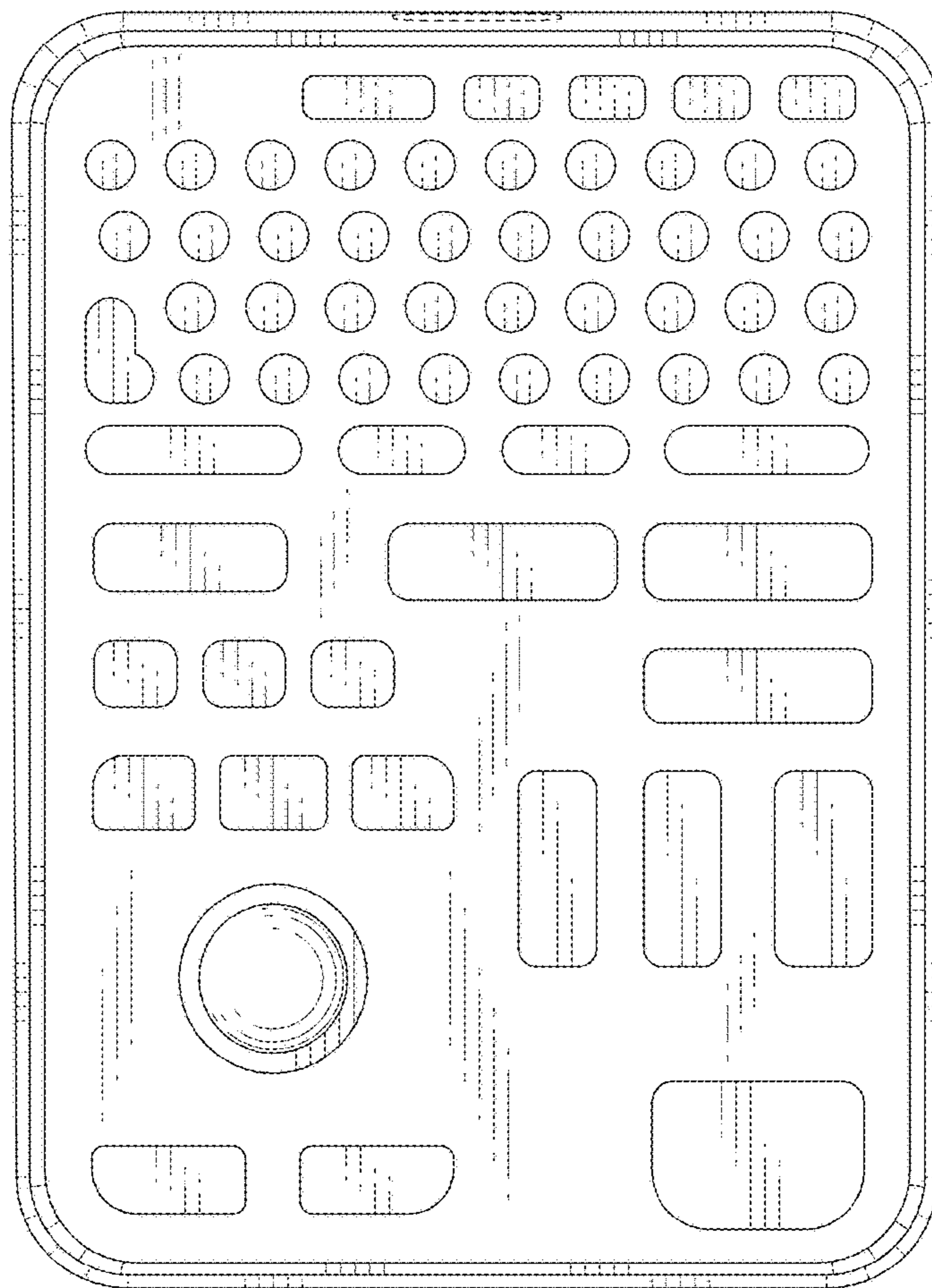


FIG. 5

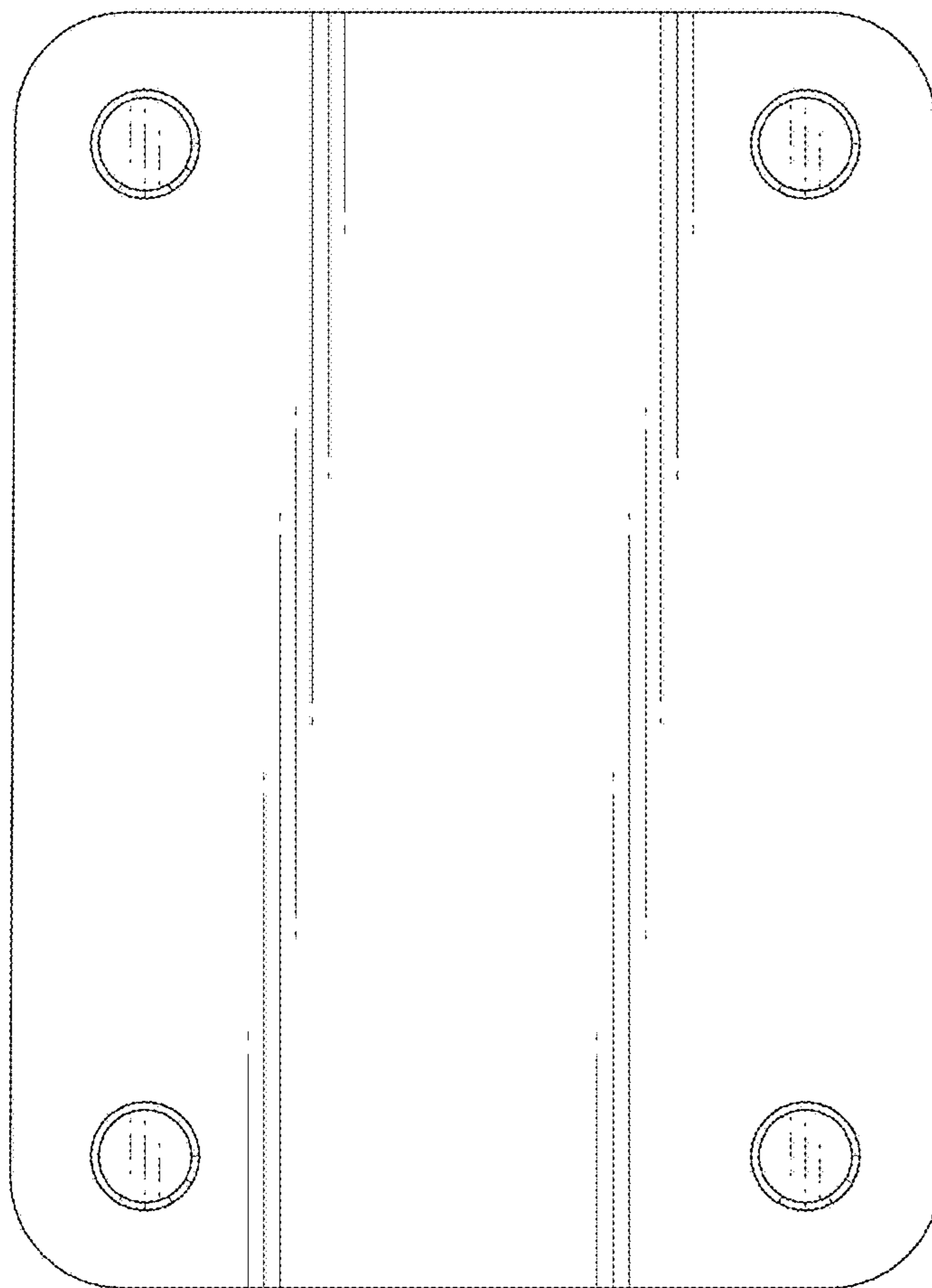


FIG. 6

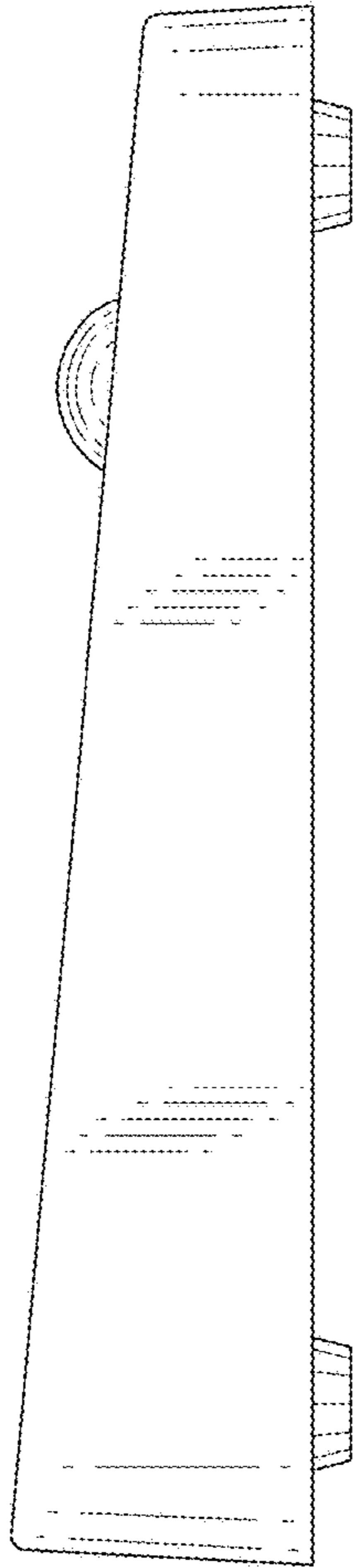


FIG. 7

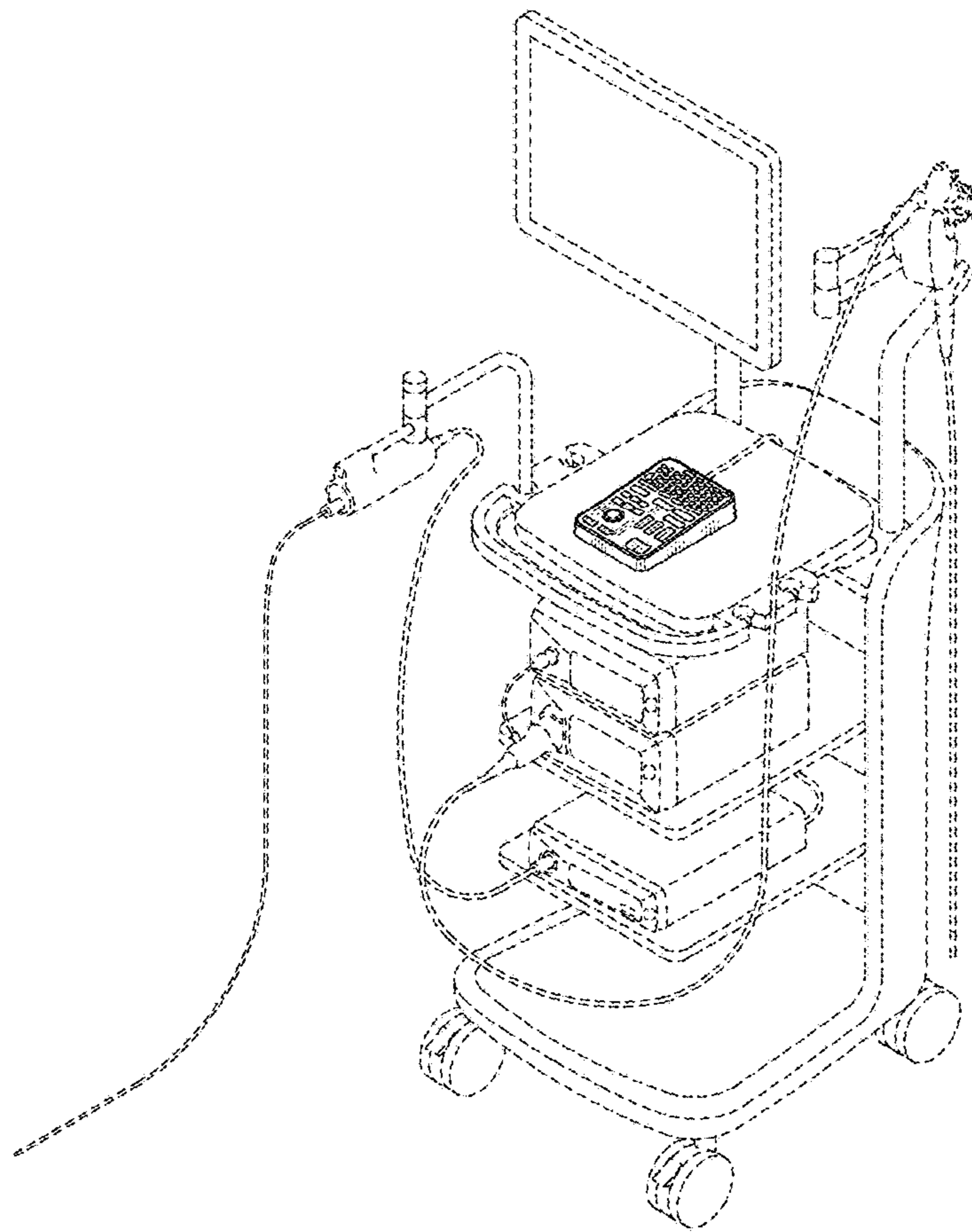


FIG. 8

