



US00D865960S

(12) **United States Design Patent** (10) **Patent No.:** **US D865,960 S**
Hahn (45) **Date of Patent:** **** Nov. 5, 2019**

(54) **LASER FIBER FIXATION FOR FLEXIBLE ENDOSCOPES**

D717,432 S * 11/2014 Leroy D24/138
D739,018 S * 9/2015 Murias D24/147
D743,027 S * 11/2015 Renner D24/138
D788,201 S * 5/2017 Pilz D10/46
2018/0052318 A1* 2/2018 Brown G02B 23/2476

(71) Applicant: **KARL STORZ GmbH & Co. KG,**
Tuttlingen (DE)

(72) Inventor: **Martin Hahn,** Tuttlingen (DE)

(73) Assignee: **KARL STORZ SE & Co. KG,**
Tuttlingen (DE)

(**) Term: **15 Years**

(21) Appl. No.: **29/573,024**

(22) Filed: **Aug. 2, 2016**

(30) **Foreign Application Priority Data**

Feb. 3, 2016 (EM) 002970202-0001

(51) **LOC (12) Cl.** **24-02**

(52) **U.S. Cl.**
USPC **D24/138**

(58) **Field of Classification Search**
USPC D24/138, 137, 144, 147, 146, 170
CPC G02B 6/4239; G02B 6/424; H01S 5/022
See application file for complete search history.

(56) **References Cited**

U.S. PATENT DOCUMENTS

3,805,770 A * 4/1974 Okada A61B 1/31
600/114
4,414,608 A * 11/1983 Furihata A61B 1/00117
352/198
D634,842 S * 3/2011 Fuerst D24/138
D667,112 S * 9/2012 Becker D24/138

OTHER PUBLICATIONS

Boston Scientific, "Gateway Advantage Y-Adapter," pp. 1-2 (2013).

* cited by examiner

Primary Examiner — Eliza Z Bennett-Hattan

(74) *Attorney, Agent, or Firm* — Muncy, Geissler, Olds & Lowe, P.C.

(57) **CLAIM**

The ornamental design for a laser fiber fixation for flexible endoscopes, as shown and described.

DESCRIPTION

FIG. 1 is a front perspective view of a laser fiber fixation for flexible endoscopes according to the present invention.

FIG. 2 is a front view of the laser fiber fixation for flexible endoscopes of FIG. 1.

FIG. 3 is a rear view of the laser fiber fixation for flexible endoscopes of FIG. 1.

FIG. 4 is a left side view of the laser fiber fixation for flexible endoscopes of FIG. 1.

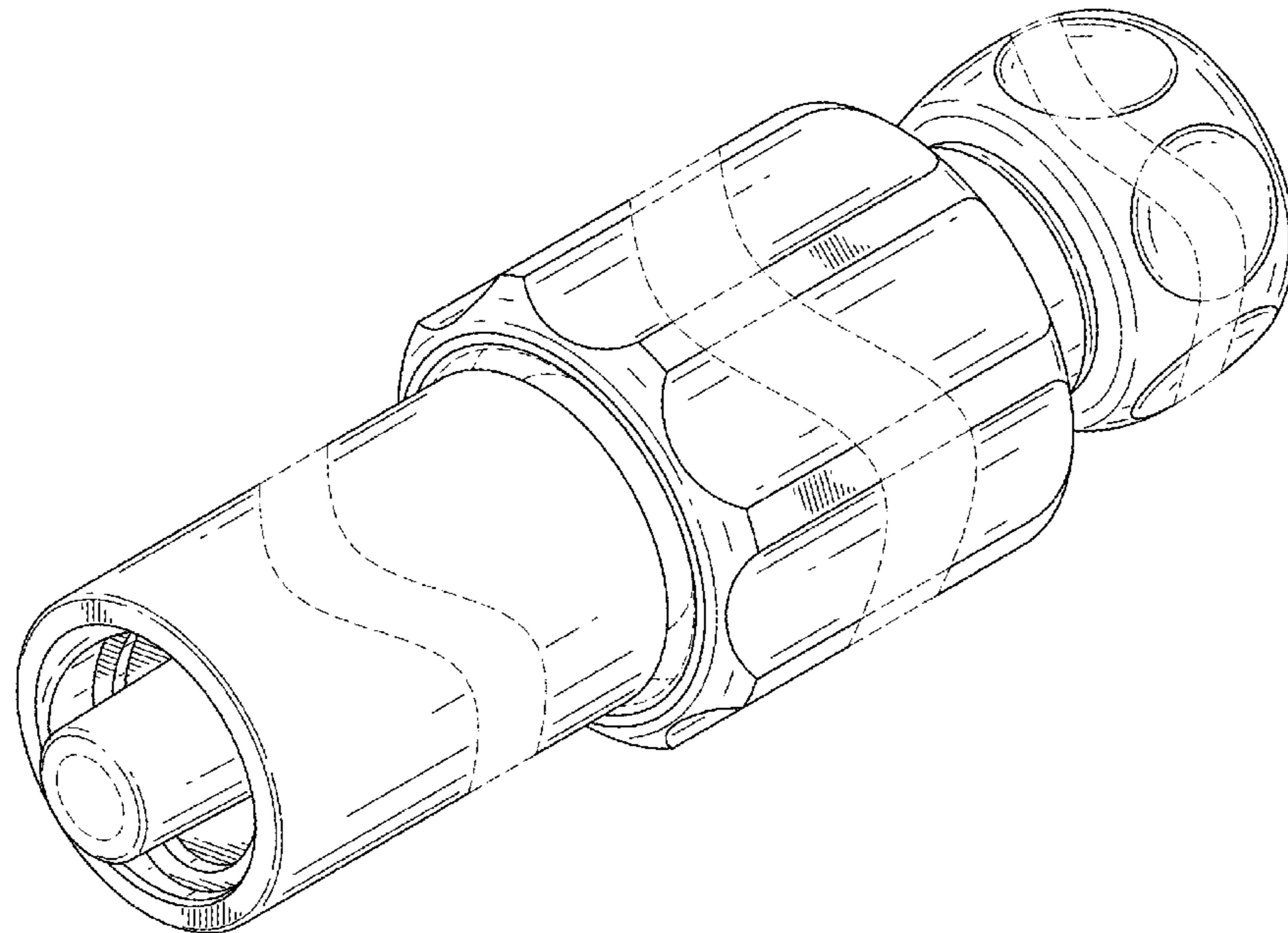
FIG. 5 is a right side view of the laser fiber fixation for flexible endoscopes of FIG. 1.

FIG. 6 is a top view of the laser fiber fixation for flexible endoscopes of FIG. 1; and,

FIG. 7 is a bottom view of the laser fiber fixation for flexible endoscopes of FIG. 1.

The dashed lines illustrate environment that does not form a part of the present invention, and no claim is made to the material illustrated with dashed lines.

1 Claim, 7 Drawing Sheets



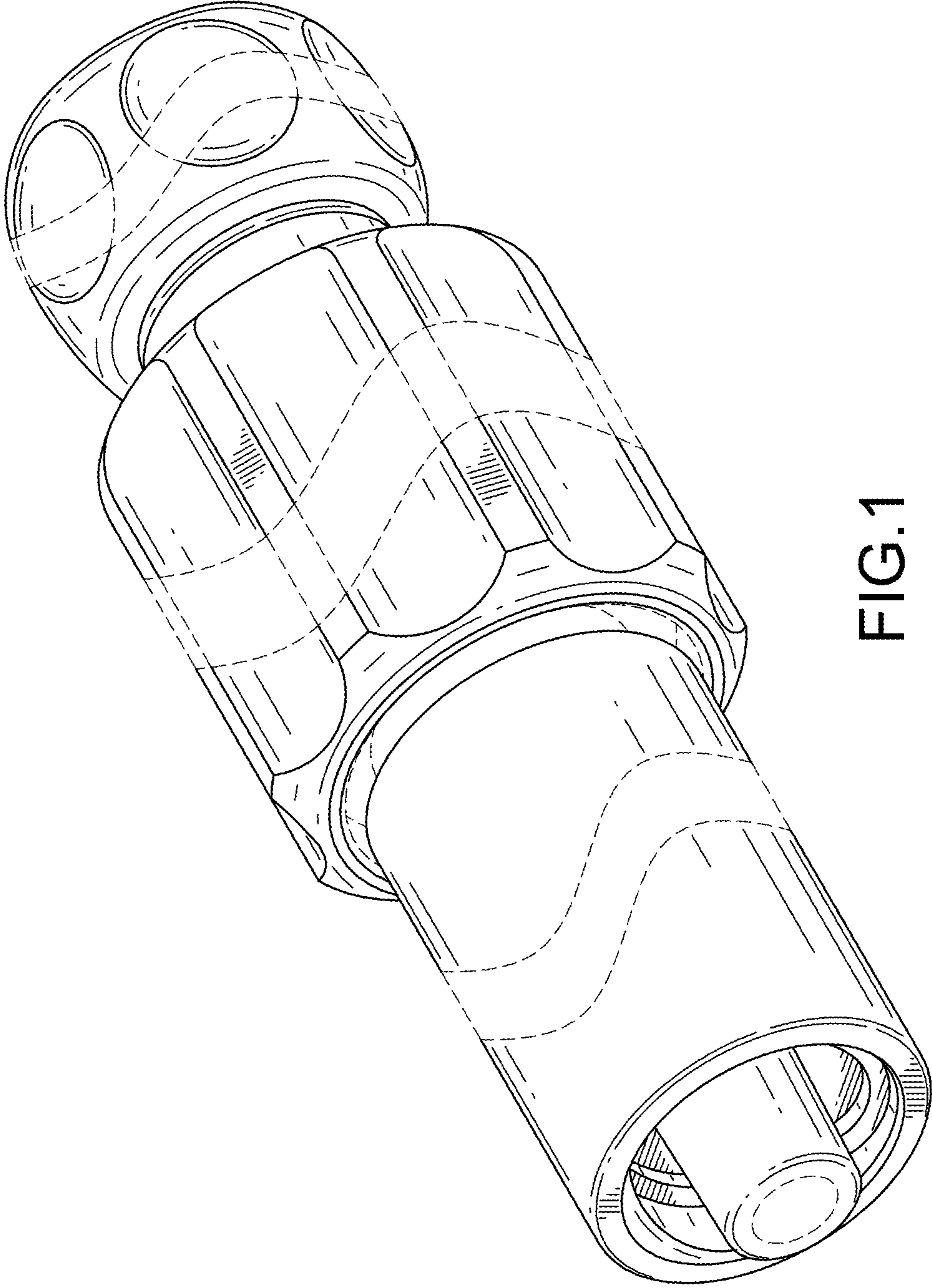


FIG.1

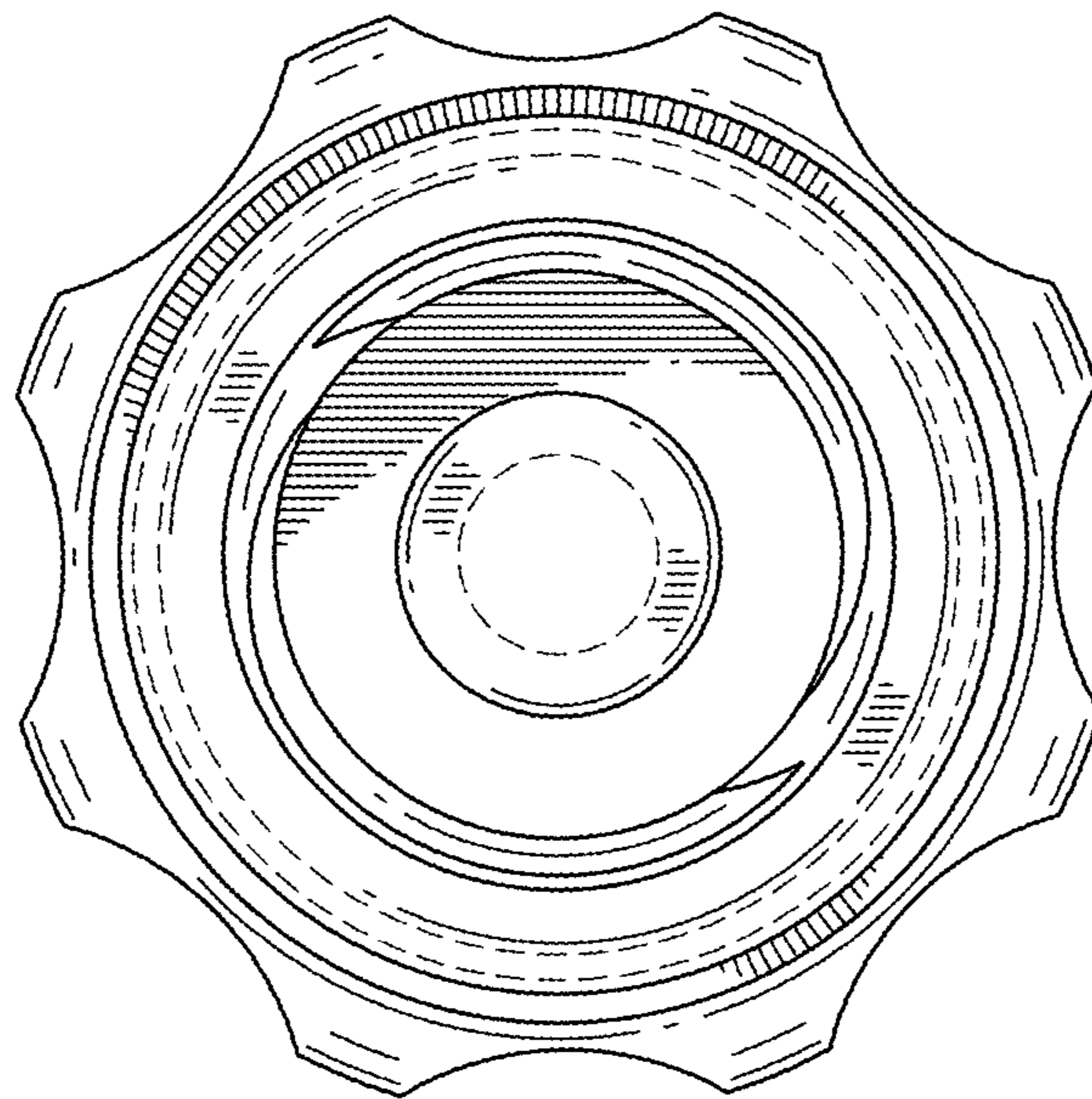


FIG.2

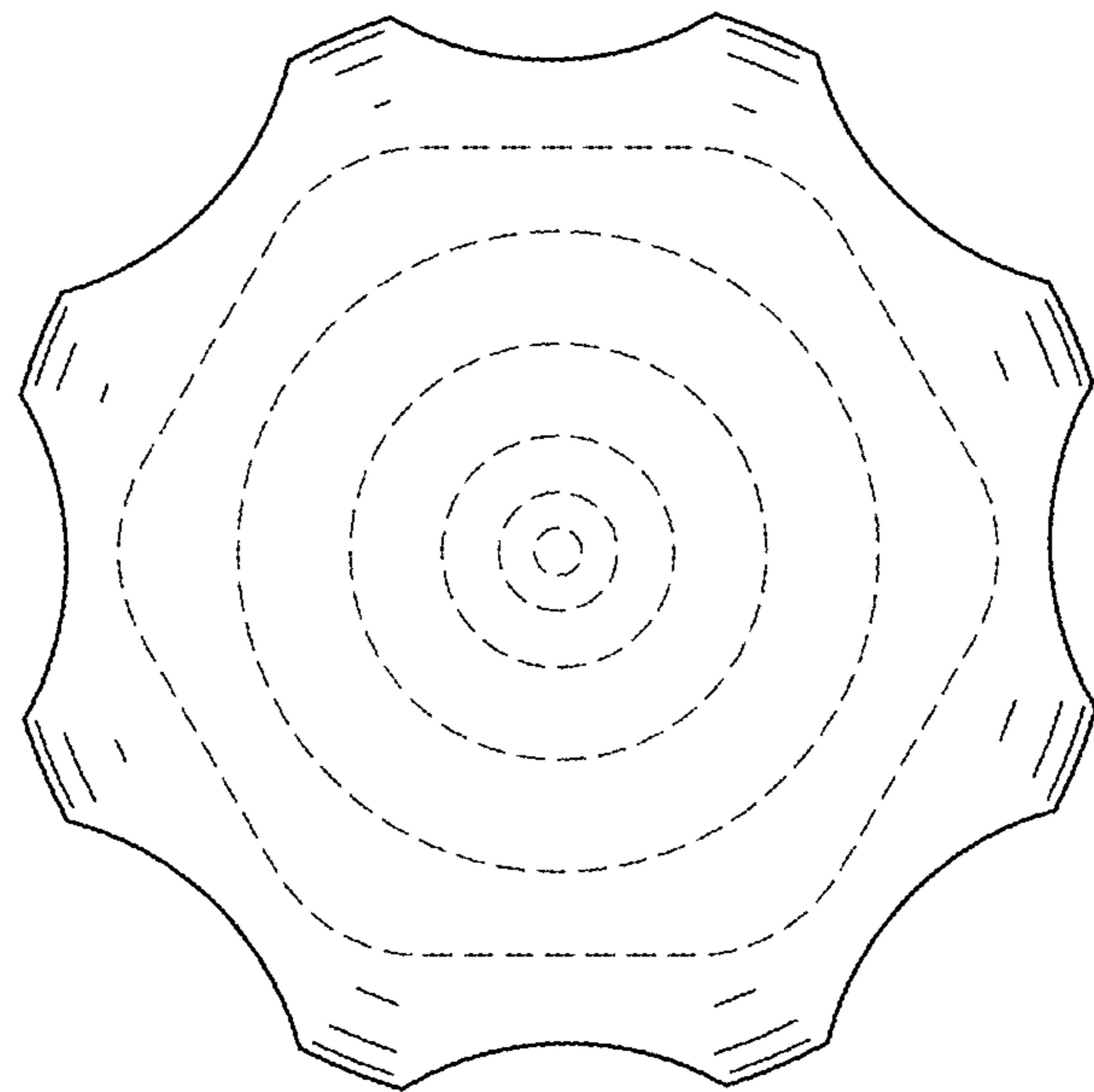


FIG.3

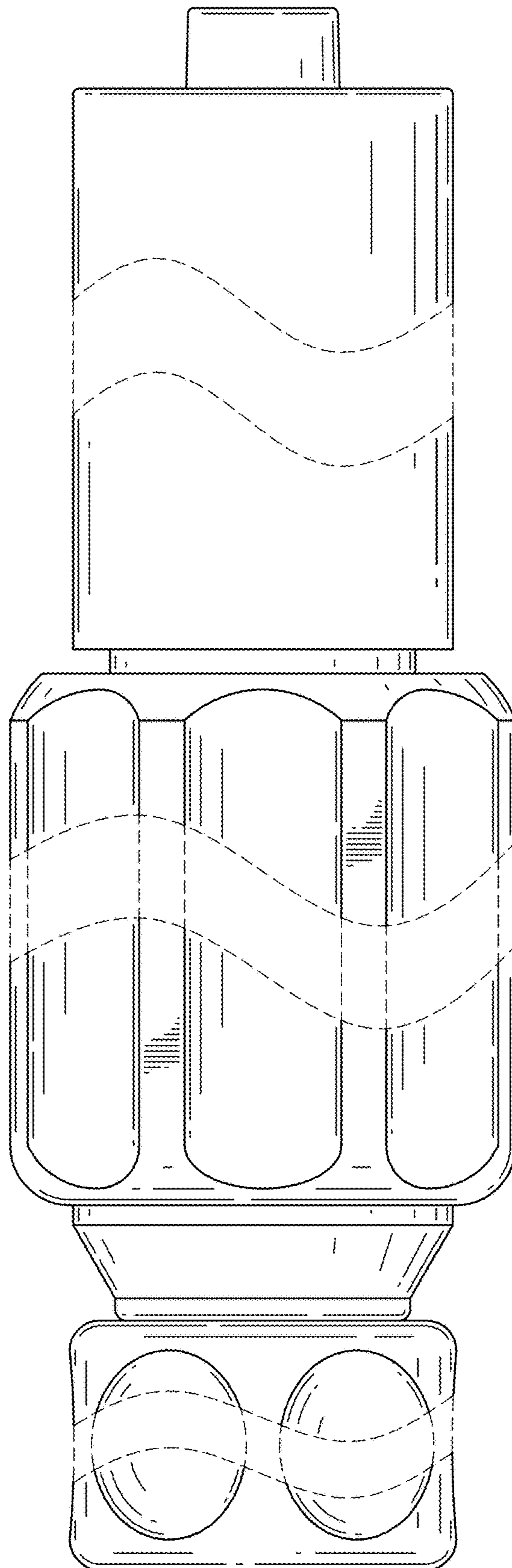


FIG.4

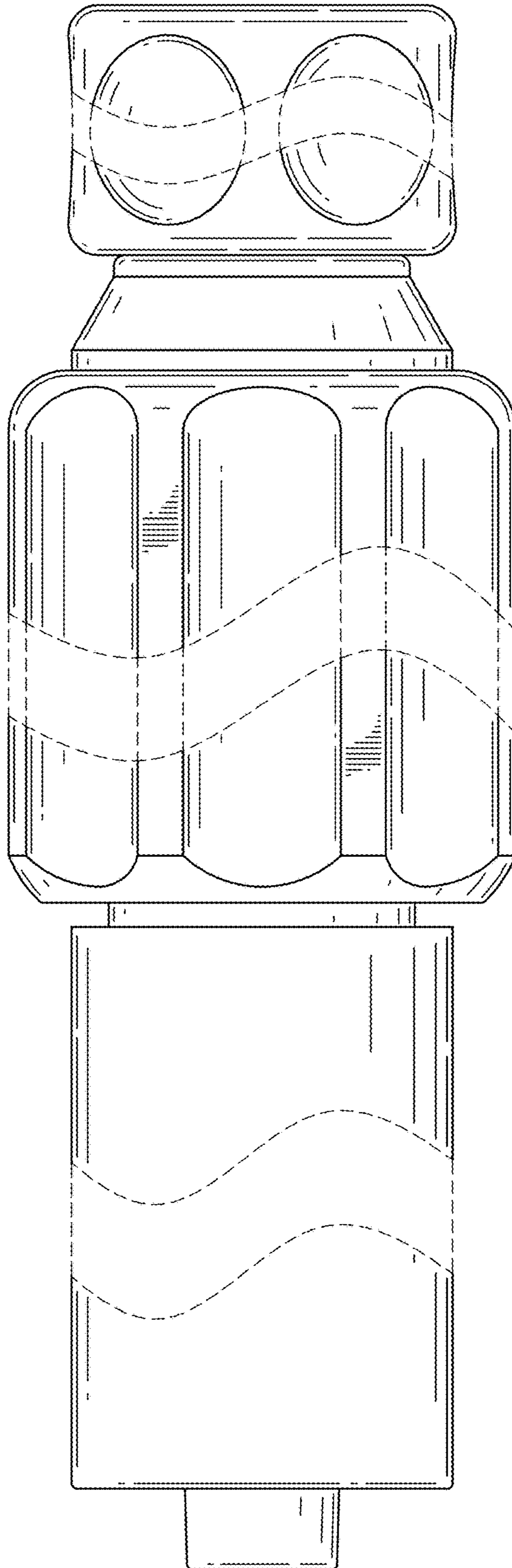


FIG.5

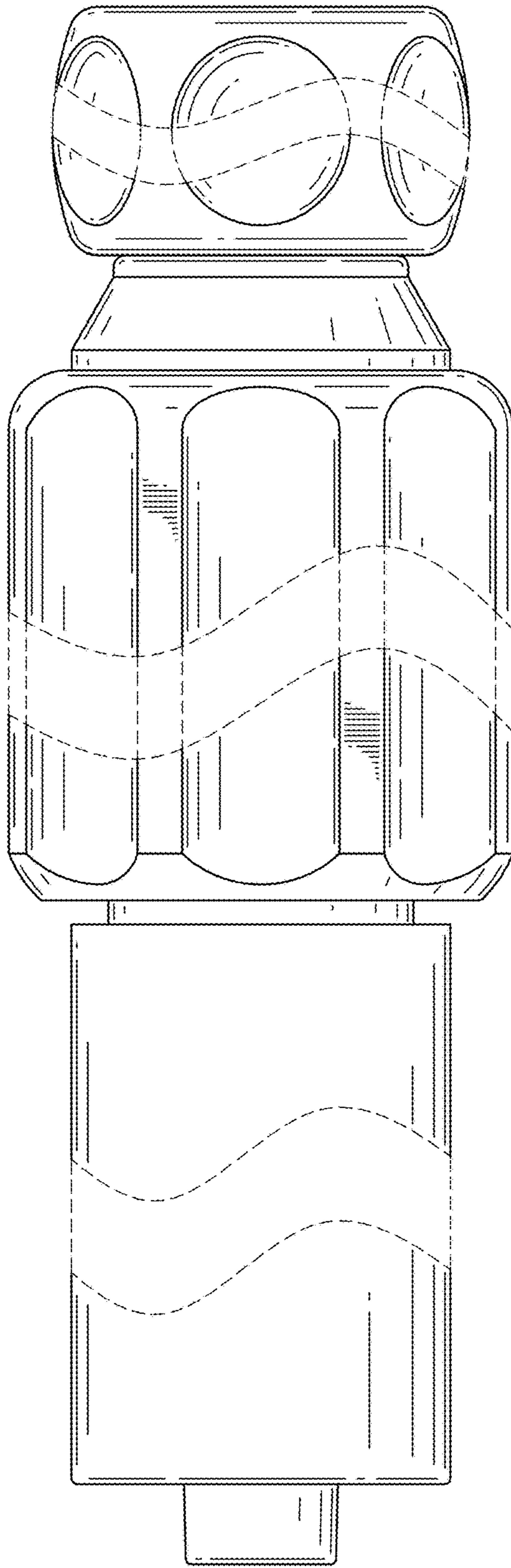


FIG.6

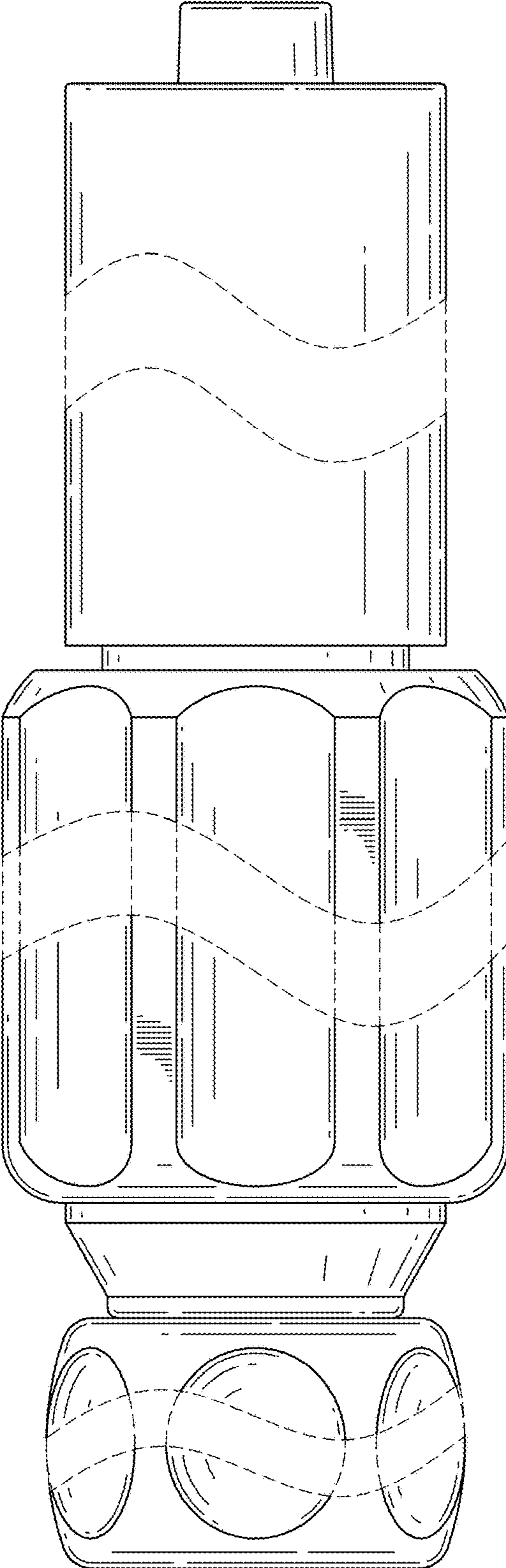


FIG.7