



US00D865959S

(12) **United States Design Patent** (10) **Patent No.:** **US D865,959 S**
Huels et al. (45) **Date of Patent:** **** *Nov. 5, 2019**

(54) **VIDEO LARYNGOSCOPE**
(71) Applicant: **KARL STORZ GmbH & Co. KG**,
Tuttlingen (DE)
(72) Inventors: **Dieter Huels**, Stockach (DE); **Christian Huber**, Schaffhausen (CH); **Fabian Zimmerli**, Zurich (CH); **Ulrich Merz**,
Tuttlingen (DE); **Eugenia Fuhr**,
Tuttlingen (DE)

(73) Assignee: **KARL STORZ SE & Co. KG**,
Tuttlingen (DE)

(*) Notice: This patent is subject to a terminal disclaimer.

(**) Term: **15 Years**

(21) Appl. No.: **29/584,260**

(22) Filed: **Nov. 14, 2016**

(30) **Foreign Application Priority Data**

May 13, 2016 (EM) 003126416-0002

(51) **LOC (12) Cl.** **24-02**

(52) **U.S. Cl.**
USPC **D24/137**

(58) **Field of Classification Search**
USPC D24/108, 117, 133, 135, 137, 138, 141,
D24/222; 600/131, 132, 145-147, 185,
600/188, 197

CPC ... A61B 1/00016; A61B 1/00; A61B 1/00066;
A61B 1/0052; A61B 1/267; G06F 3/147
See application file for complete search history.

(56) **References Cited**

U.S. PATENT DOCUMENTS

D631,158 S 1/2011 Doerges
D664,653 S 7/2012 Doerges
D724,208 S * 3/2015 Miller D24/137

D738,501 S * 9/2015 Renner D24/146
D739,017 S * 9/2015 Renner D24/146
D742,512 S 11/2015 Pilz et al.
D745,669 S * 12/2015 Swift D24/137
D746,451 S * 12/2015 Chen D24/137
D748,255 S * 1/2016 McGrath D24/137
D767,758 S * 9/2016 Pecherer D24/138
D785,791 S * 5/2017 Strobel D24/133

(Continued)

OTHER PUBLICATIONS

Airtraq Brochure, pp. 1-2 (2015).

(Continued)

Primary Examiner — Ian Simmons

Assistant Examiner — Yolanda Robinson

(74) *Attorney, Agent, or Firm* — Muncy, Geissler, Olds & Lowe, P.C.

(57) **CLAIM**

The ornamental design for a video laryngoscope, as shown and described.

DESCRIPTION

FIG. 1 is a right perspective view of a video laryngoscope according to the present invention.

FIG. 2 is a bottom front perspective view of the video laryngoscope of FIG. 1.

FIG. 3 is a top front perspective view of the video laryngoscope of FIG. 1.

FIG. 4 is a left side view of the video laryngoscope of FIG. 1.

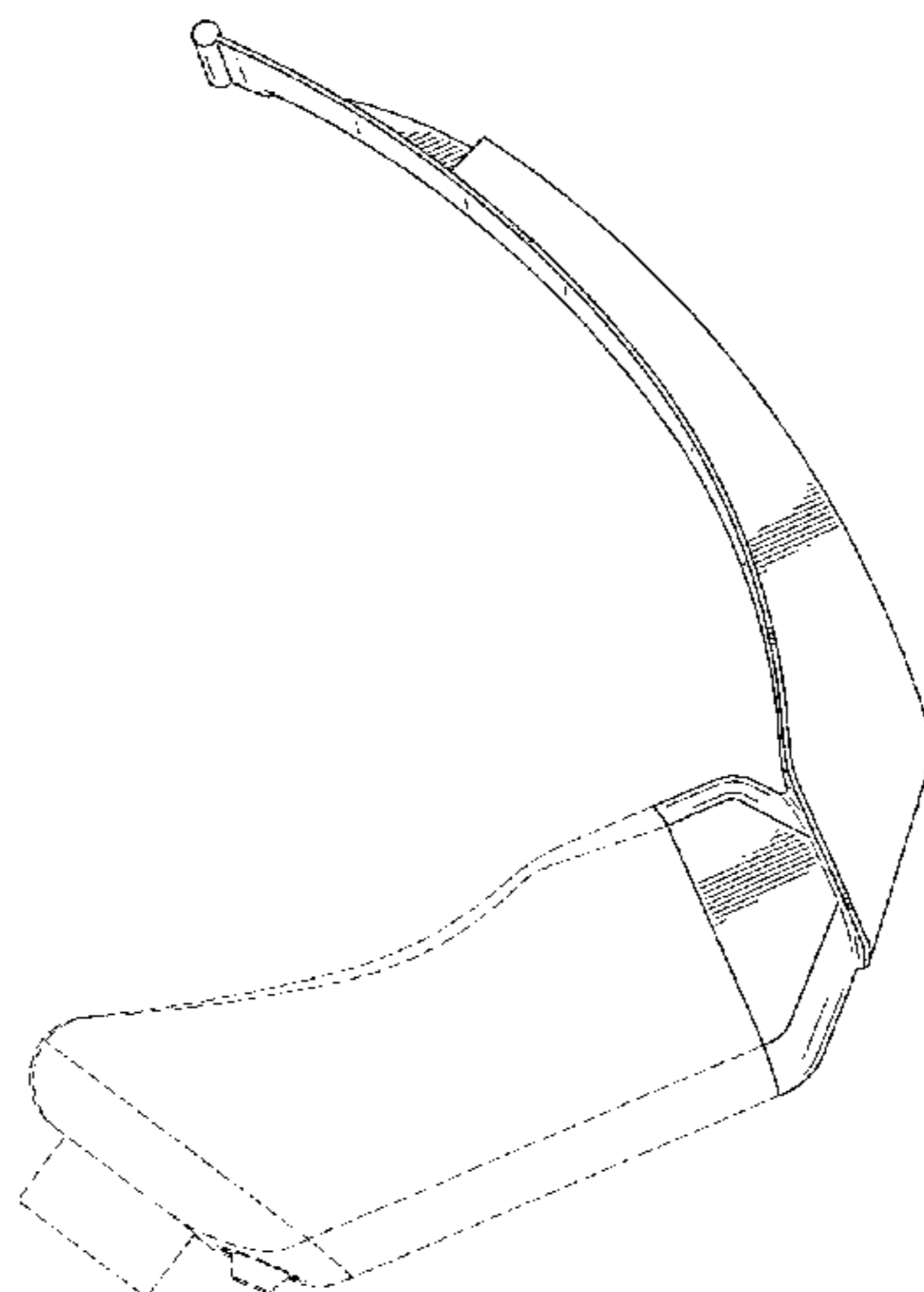
FIG. 5 is a right side view of the video laryngoscope of FIG. 1.

FIG. 6 is a rear top perspective view of the video laryngoscope of FIG. 1; and,

FIG. 7 is a rear bottom perspective view of the video laryngoscope of FIG. 1.

The broken lines in the figures show portions of the video laryngoscope that form no part of the claimed design.

1 Claim, 7 Drawing Sheets



(56)

References Cited

U.S. PATENT DOCUMENTS

D788,831 S * 6/2017 Pilz D10/46
 D791,943 S * 7/2017 Cook D24/135
 2007/0167686 A1 * 7/2007 McGrath, Jr. A61B 1/00016
 600/188
 2013/0190568 A1 * 7/2013 Hakanen A61B 1/267
 600/186
 2016/0058277 A1 * 3/2016 Selcho A61B 1/0005
 600/188
 2016/0095506 A1 * 4/2016 Dan A61M 16/0488
 600/188
 2016/0317010 A1 * 11/2016 McGrath A61B 1/00052
 2016/0345803 A1 * 12/2016 Mallory A61B 1/00068
 2016/0367126 A1 * 12/2016 McGrath, Jr. A61B 1/00016
 2017/0035269 A1 * 2/2017 Krause B23K 26/21
 2017/0105614 A1 * 4/2017 McWilliam A61B 1/267
 2017/0150878 A1 * 6/2017 Swift A61B 1/00032
 2017/0202447 A1 * 7/2017 Pecherer A61B 1/00066

OTHER PUBLICATIONS

Verathon, "Glidescope Titanium-System Bedienungs—und
 Wartungshandbuch," pp. 1-76 (May 29, 2015).
 Verathon, "Glidescope AVL-System Bedienungs—und
 Wartungshandbuch," pp. 1-86 (Apr. 27, 2015).
 Verathon, "GlideRite Rigid Stylet," brochure, pp. 1-2 (2015).
 Kingsystems "KingVision Airway Management Video Laryngoscope,"
 brochure, pp. 1-2 (2010).
 Ambu, "Pentax Airway Scope (AWS) & Pentax PBlade," brochure,
 pp. 1-2 (Mar. 2012).
 Aircraft Medical, "McGrath MAC," brochure, pp. 1-5 (2011).
 Karl Storz, "Was brauchen Sie Fuer Ihr Airway Management? Wir
 haben die Loesung Das C-MAC System!", Endoworld, pp. 1-24
 (Jul. 2015).
 Karl Storz, "Der C-MAC Pocket Monitor," brochure, pp. 1-4 (Oct.
 2015).
 U.S. Appl. No. 29/545,156, filed Nov. 10, 2015, Fuhr et al.

* cited by examiner

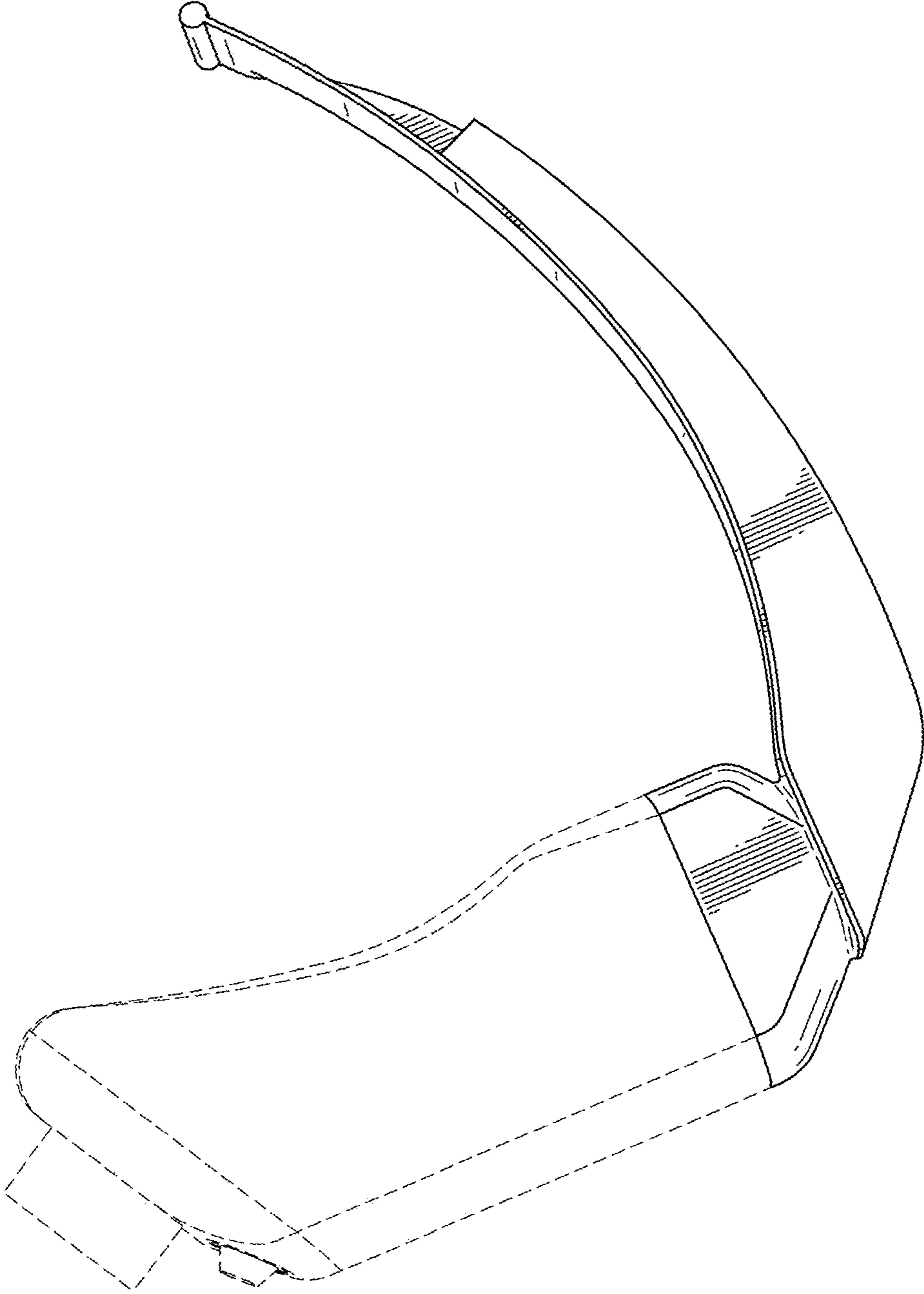


FIG.1

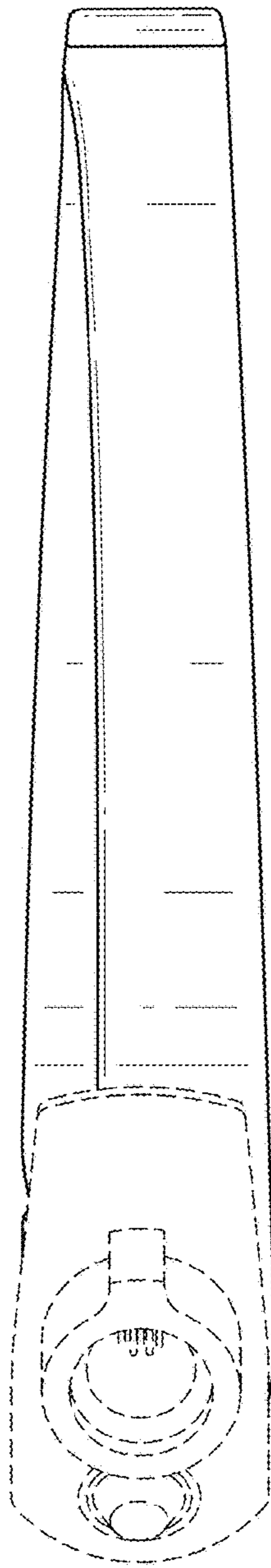


FIG. 2

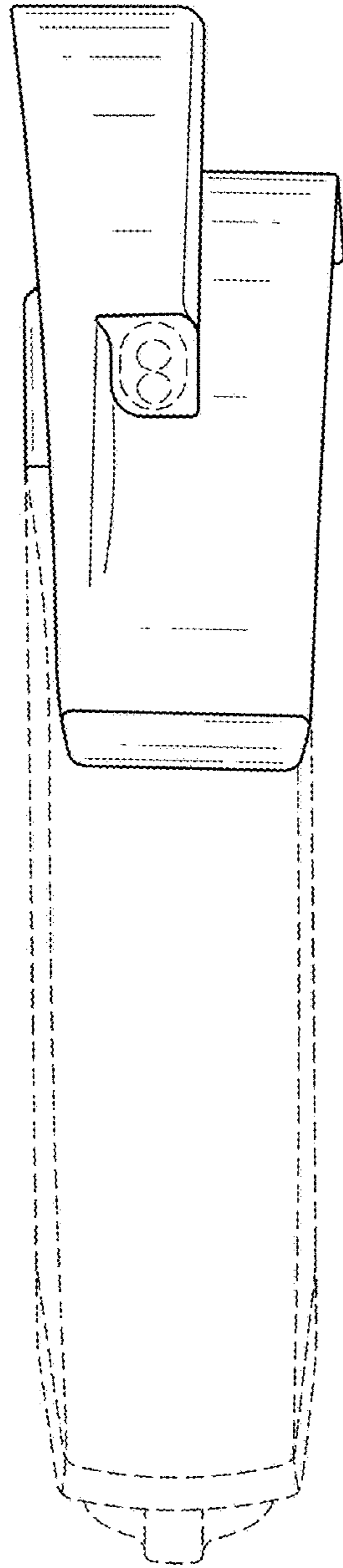


FIG.3

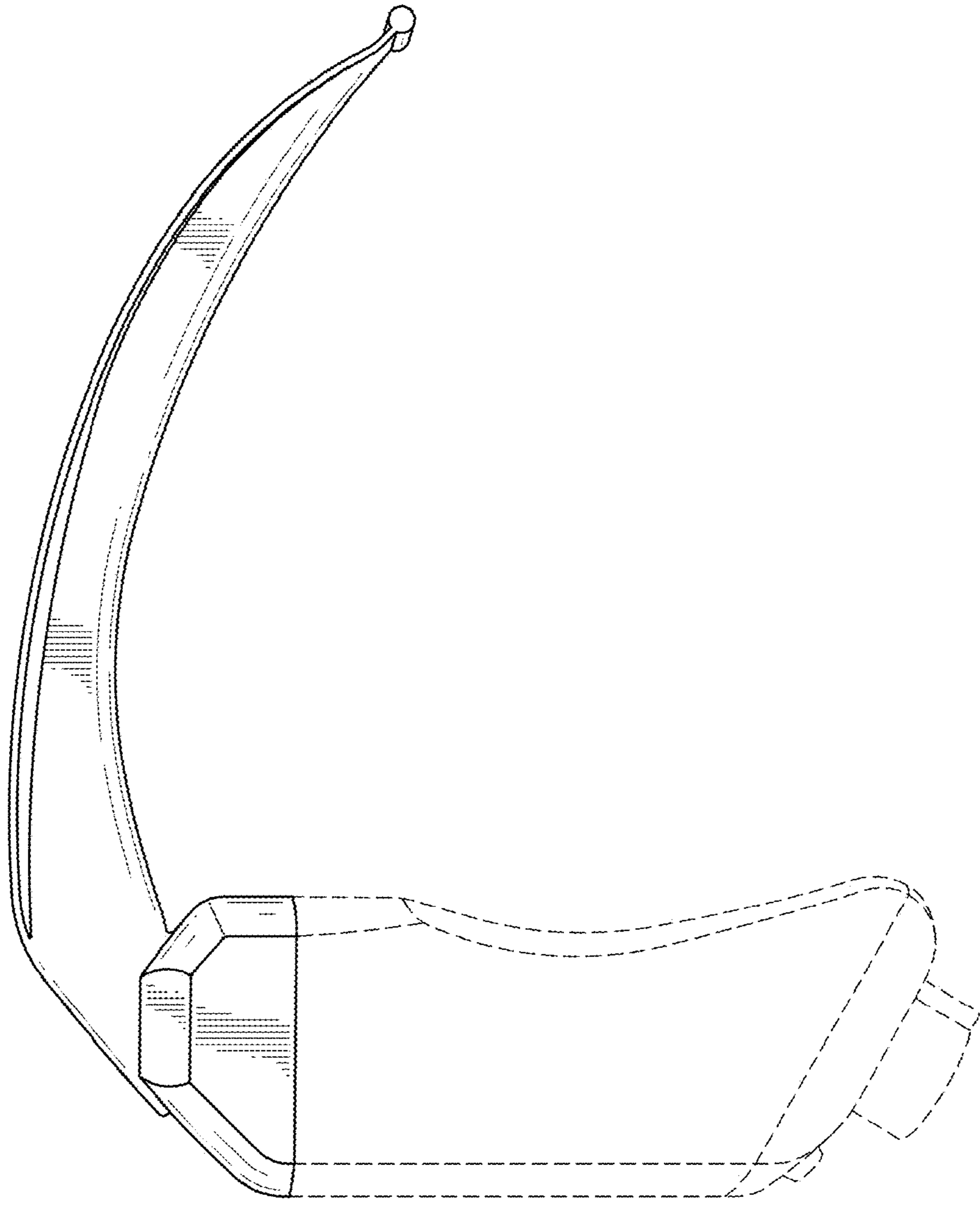


FIG. 4

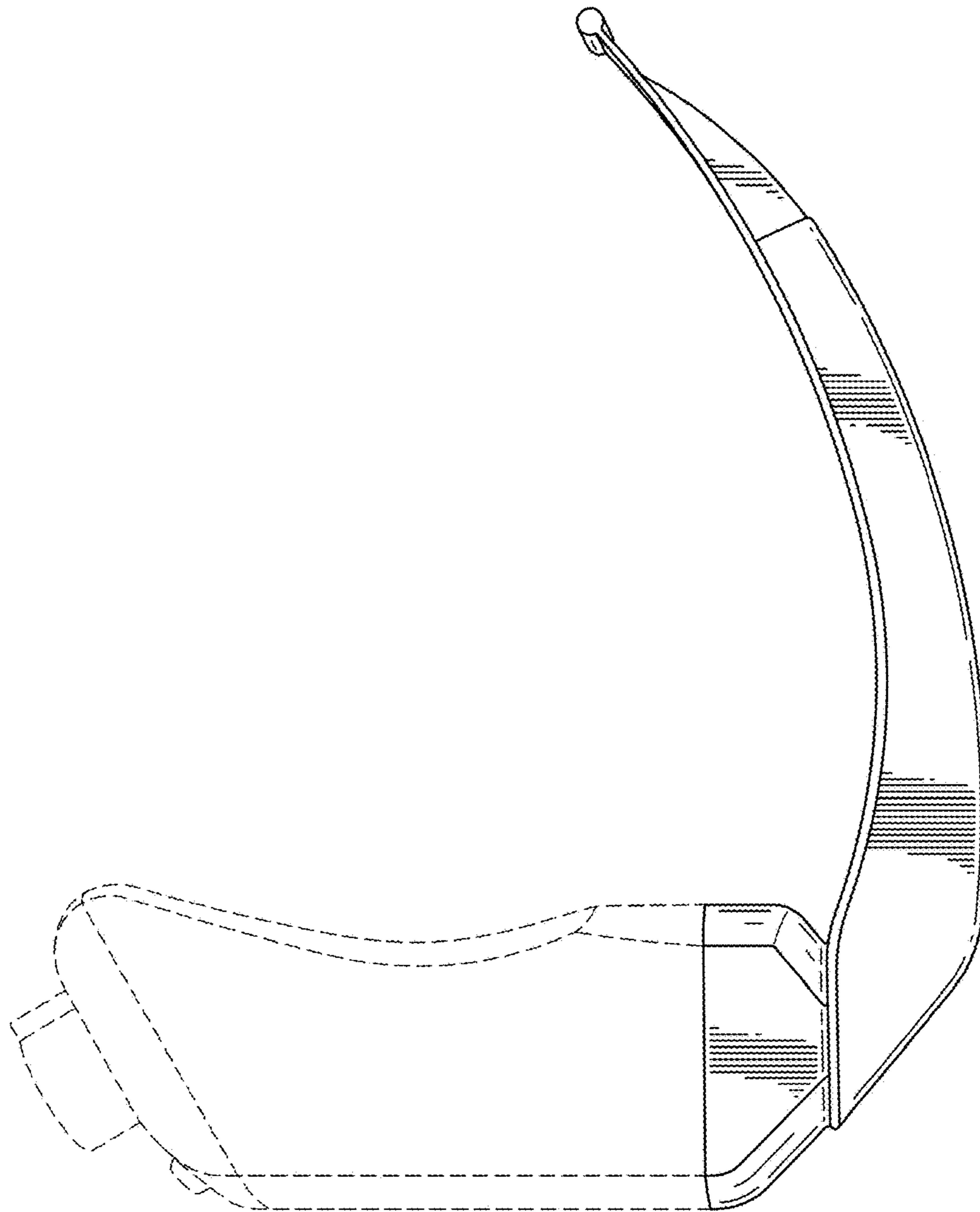


FIG.5

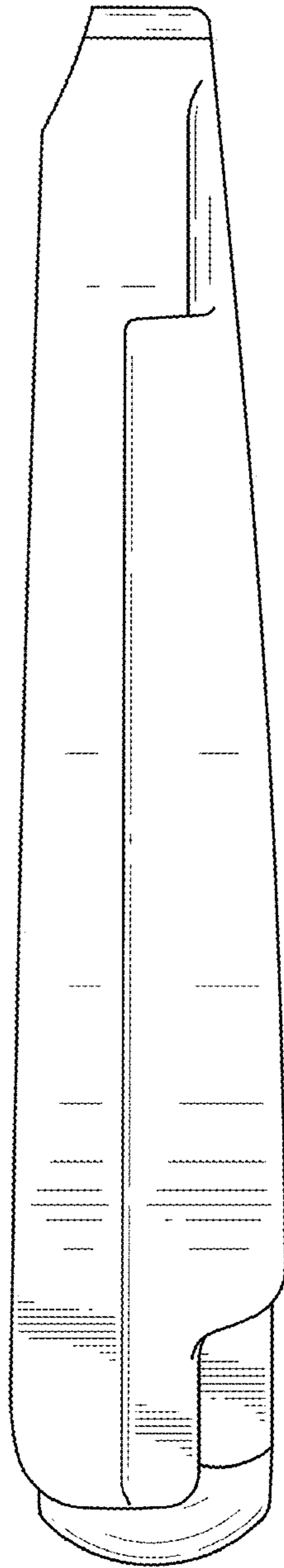


FIG.6

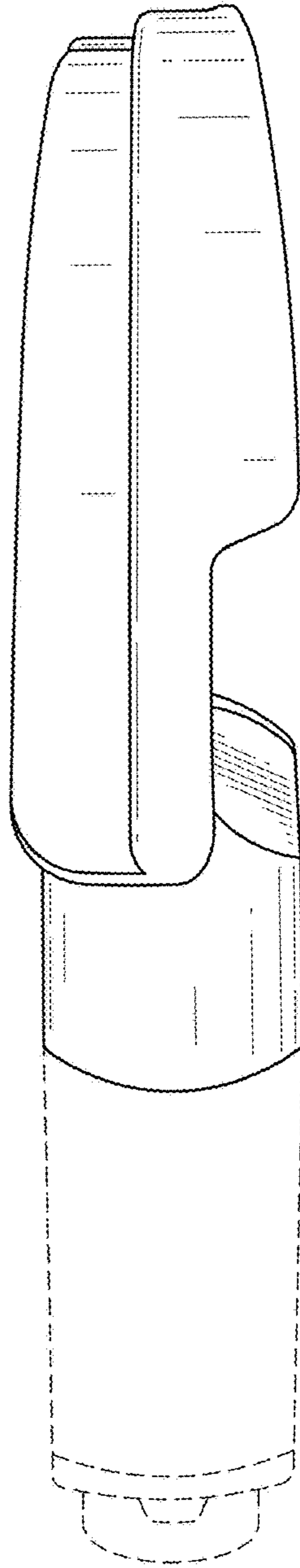


FIG.7