



US00D865957S

(12) **United States Design Patent** (10) **Patent No.:** **US D865,957 S**
Alexander et al. (45) **Date of Patent:** **** Nov. 5, 2019**

(54) **NASAL DILATOR**

(71) Applicant: **Simplicity, LLC**, Springville, UT (US)

(72) Inventors: **Ian J. Alexander**, Boerne, TX (US);
Brian Dean Owens, Plano, TX (US)

(73) Assignee: **SIMPLICITY, LLC**, Springville, UT (US)

(**) Term: **15 Years**

(21) Appl. No.: **29/683,742**

(22) Filed: **Mar. 15, 2019**

Related U.S. Application Data

(62) Division of application No. 29/496,118, filed on Jul. 9, 2014, now Pat. No. Des. 772,408.

(51) **LOC (12) Cl.** **24-02**

(52) **U.S. Cl.**
USPC **D24/135**

(58) **Field of Classification Search**
USPC D24/135, 112, 130, 133, 140, 147, 149;
600/200, 202, 184, 220-227, 201, 203,
(Continued)

(56) **References Cited**

U.S. PATENT DOCUMENTS

D247,512 S 3/1978 Sandler
D275,227 S 8/1984 Garner
(Continued)

FOREIGN PATENT DOCUMENTS

CN 202179770 U 4/2012
CN 102526868 A 7/2012
(Continued)

OTHER PUBLICATIONS

CN 102526868, Xiuxang Song—English Translation Jul. 4, 2012, 3 Pages.

(Continued)

Primary Examiner — Wan Laymon
Assistant Examiner — Mark Booker

(74) *Attorney, Agent, or Firm* — Goodhue, Coleman & Owens, P.C.

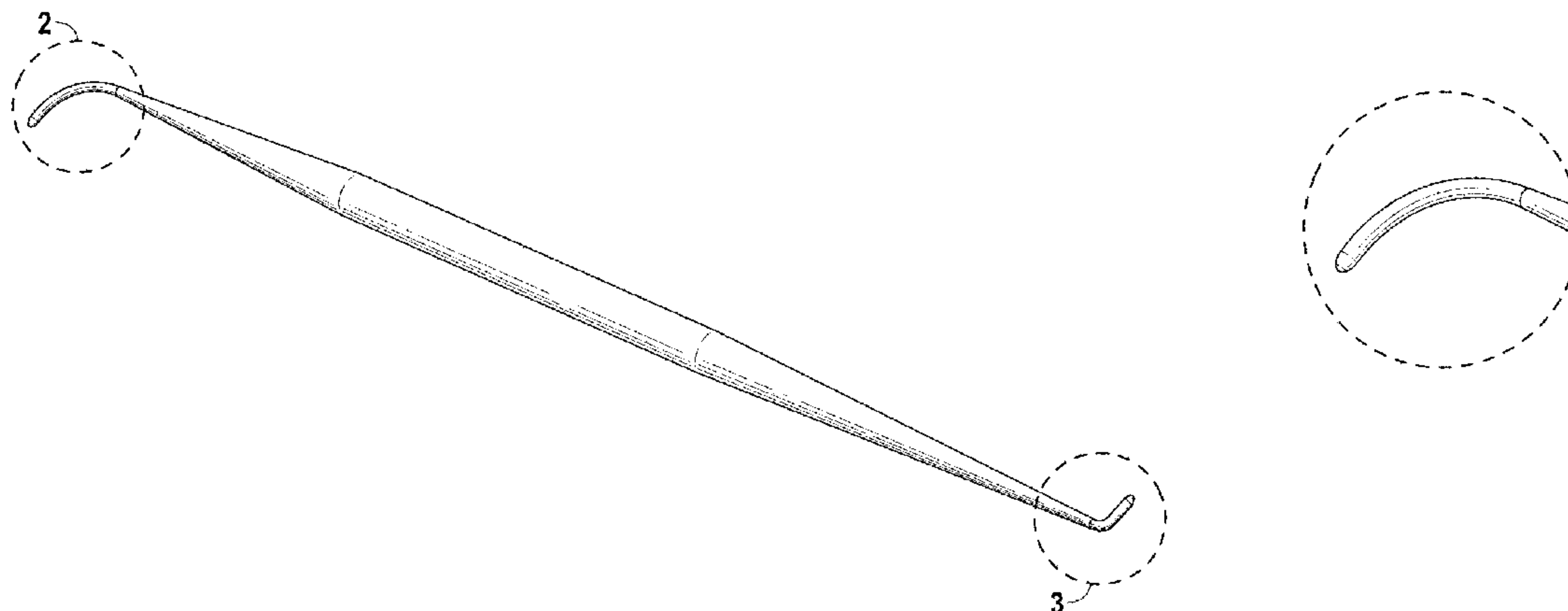
(57) **CLAIM**

The ornamental design for a nasal dilator, as shown and described.

DESCRIPTION

FIG. 1 is a perspective view of a nasal dilator showing our new design;
FIG. 2 is an enlarged view of the left side of the nasal dilator shown in FIG. 1 taken along line 2;
FIG. 3 is an enlarged view of the right side of the nasal dilator shown in FIG. 1 taken along line 3;
FIG. 4 is a front view of the nasal dilator shown in FIG. 1;
FIG. 5 is an enlarged view of the left side of the nasal dilator shown in FIG. 4 taken along line 5;
FIG. 6 is an enlarged view of the right side of the nasal dilator shown in FIG. 4 taken along line 6;
FIG. 7 is a back view of the nasal dilator shown in FIG. 1;
FIG. 8 is an enlarged view of the left side of the nasal dilator shown in FIG. 7 taken along line 8;
FIG. 9 is an enlarged view of the right side of the nasal dilator shown in FIG. 7 taken along line 9;
FIG. 10 is a top view of the nasal dilator shown in FIG. 1;
FIG. 11 is an enlarged view of the left side of the nasal dilator shown in FIG. 10 taken along line 11;
FIG. 12 is an enlarged view of the right side of the nasal dilator shown in FIG. 10 taken along line 12;
FIG. 13 is an enlarged end view of the left side of the nasal dilator shown in FIG. 1; and,
FIG. 14 is an enlarged end view of the right side of the nasal dilator shown in FIG. 1.

1 Claim, 5 Drawing Sheets



(58) **Field of Classification Search**

USPC 600/210–218; 606/191, 192, 193–194,
606/195–198, 199–200

CPC A61F 5/08; A61M 29/00; A61M 29/02;
A61B 17/24; A61B 1/233; A61B
2018/00327; A61B 5/6819

See application file for complete search history.

D666,293 S 8/2012 Miles et al.
D666,294 S 8/2012 Miles et al.
8,679,103 B2 3/2014 Krespi
8,721,591 B2 5/2014 Chang et al.
D772,408 S 11/2016 Alexander et al.
D792,589 S 7/2017 Alexander et al.
D802,127 S 11/2017 Alexander et al.
D804,665 S * 12/2017 Alexander D24/137
D833,607 S 11/2018 Aradono et al.
D834,188 S 11/2018 Alexander et al.

(56) **References Cited**

U.S. PATENT DOCUMENTS

D379,227 S 5/1997 Rosen
D382,342 S 8/1997 Rosen
6,010,520 A 1/2000 Pattison
D436,174 S 1/2001 Komamura
D438,954 S 3/2001 Orsing
D439,979 S 4/2001 Strobel et al.
D442,687 S 5/2001 Schulz
D453,378 S 2/2002 Mangione
D460,555 S 7/2002 Holbrook
D485,358 S 1/2004 Woo
D516,722 S 3/2006 Mak
D531,727 S 11/2006 Mak
D586,914 S 2/2009 DaSilva
D588,747 S 3/2009 Wittke-Kothe
7,771,409 B2 8/2010 Chang et al.
D623,741 S 9/2010 Kupferschmid et al.
7,803,150 B2 9/2010 Chang et al.
D629,896 S 12/2010 Horton
D631,962 S 2/2011 Dorman
D648,021 S 11/2011 Dorman
D652,519 S 1/2012 Miles et al.
D652,921 S 1/2012 Miles et al.
D652,922 S 1/2012 Miles et al.
8,172,828 B2 5/2012 Chang et al.
8,182,432 B2 5/2012 Kim et al.
D666,292 S 8/2012 Miles et al.

2004/0073141 A1 4/2004 Hartley et al.
2010/0071857 A1 3/2010 Hung
2010/0198247 A1 8/2010 Chang et al.
2010/0203474 A1 8/2010 Chen
2011/0021975 A1 1/2011 Covello
2011/0022172 A1 1/2011 Gonzales et al.
2012/0053404 A1 3/2012 Schreck et al.
2012/0071857 A1 3/2012 Goldfarb et al.
2012/0330345 A1 12/2012 Tasca
2013/0253567 A1 9/2013 Edgren et al.
2013/0274600 A1 10/2013 Jenkins et al.
2015/0066071 A1 3/2015 Alexander et al.
2017/0172555 A1* 6/2017 Shimizu A61B 17/02
2017/0303905 A1* 10/2017 Wilson A61B 17/02

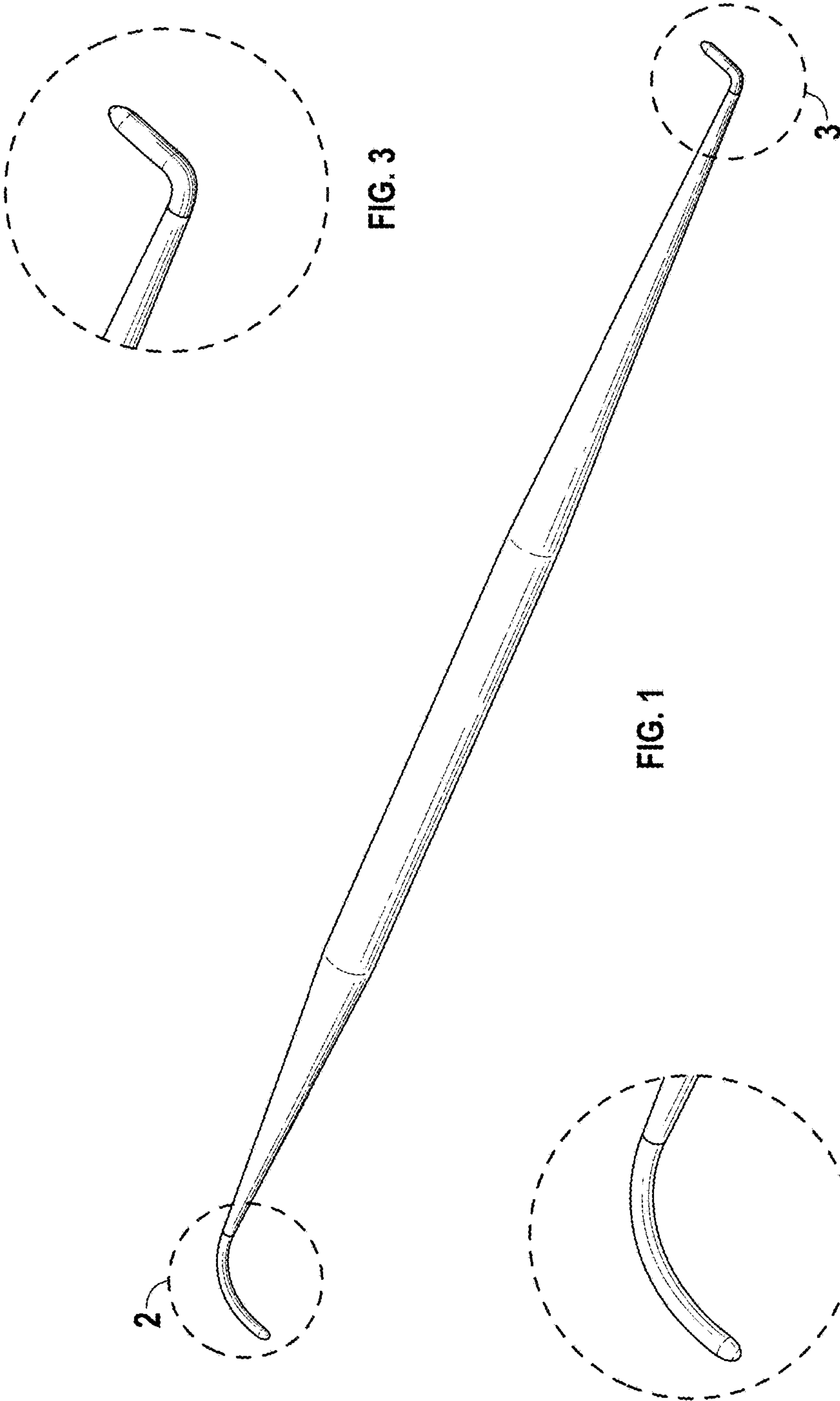
FOREIGN PATENT DOCUMENTS

WO 2008036149 A2 3/2008
WO 2008134288 A2 11/2008
WO 2013130464 A1 9/2013
WO 2013155409 A1 10/2013
WO 2015035048 A2 3/2015

OTHER PUBLICATIONS

CN202179770, Yongsheng Tian—English Translation Apr. 4, 2012,
3 Pages.

* cited by examiner



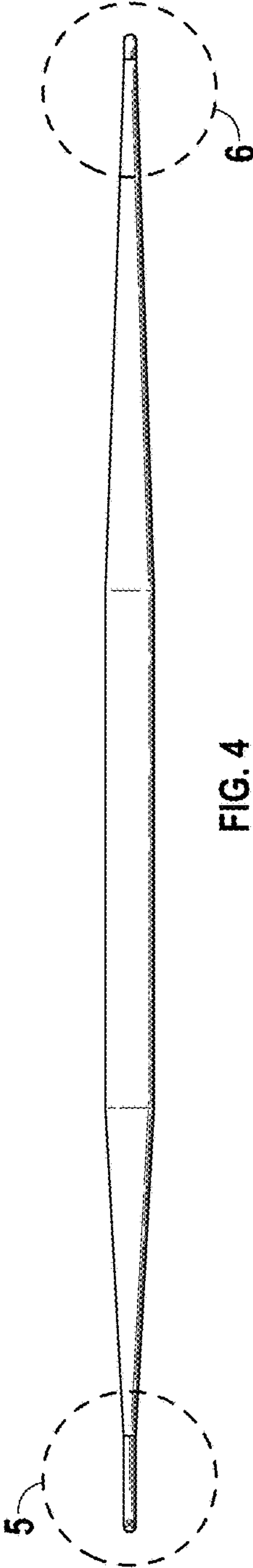


FIG. 4

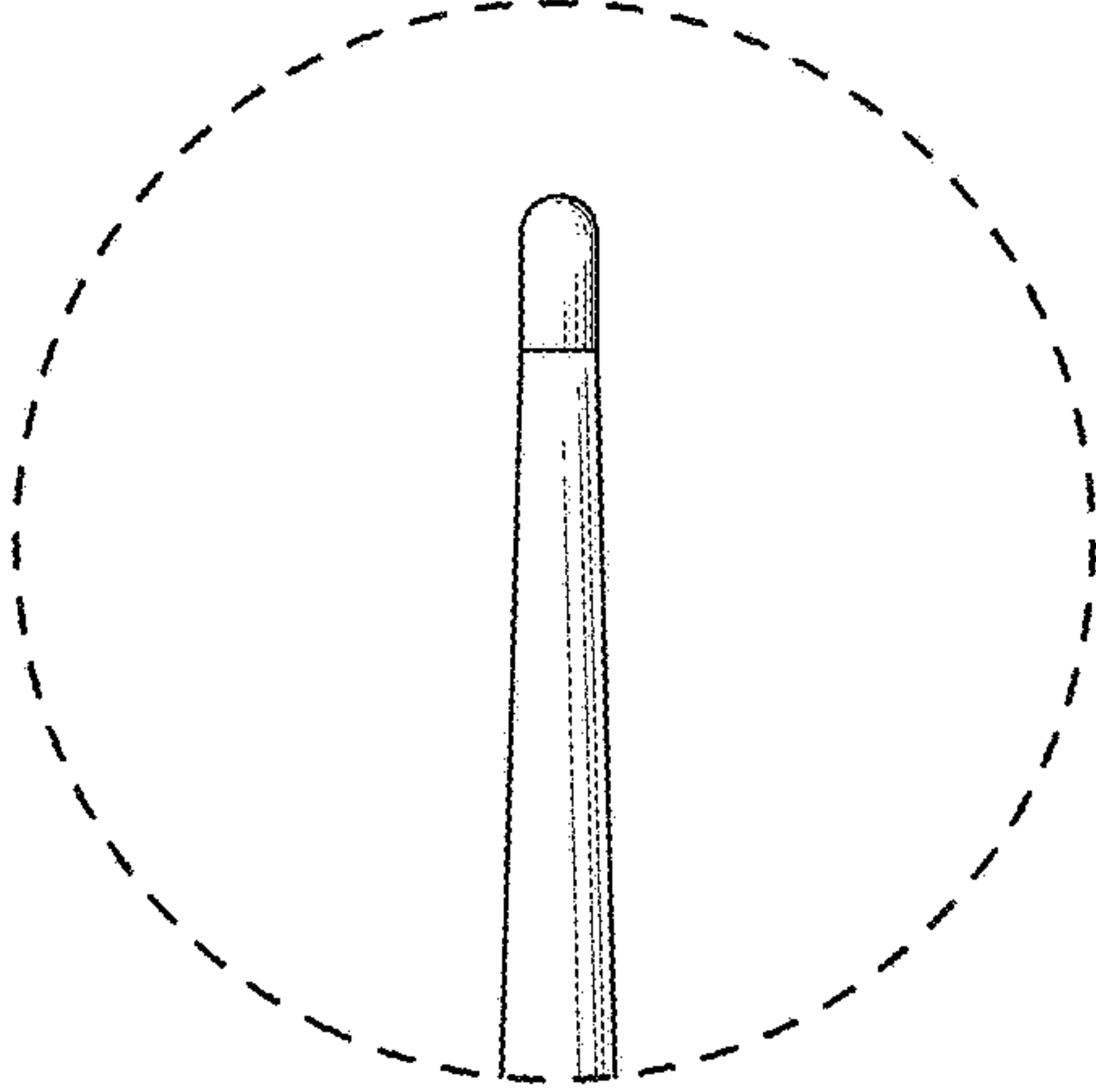


FIG. 6

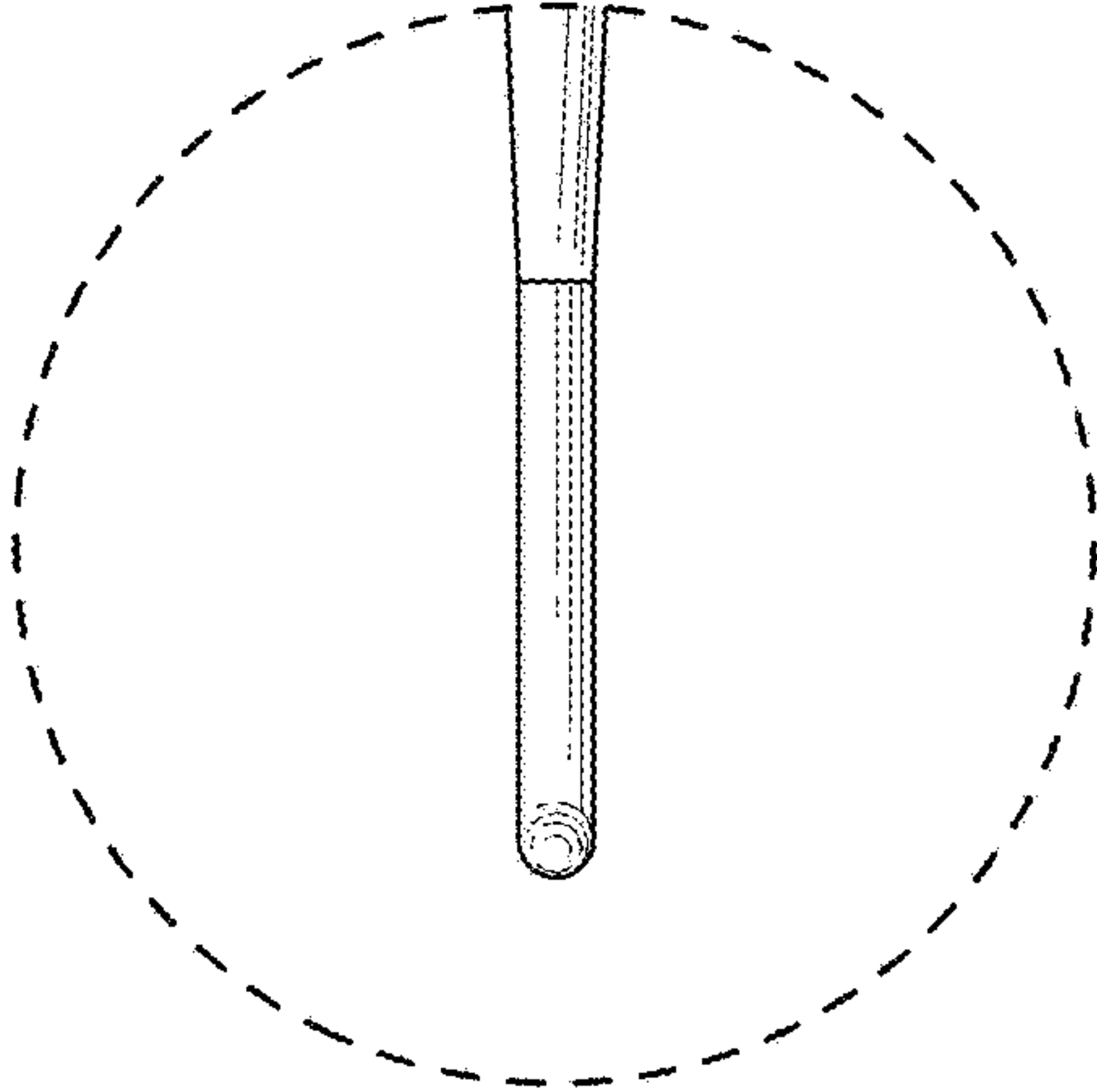
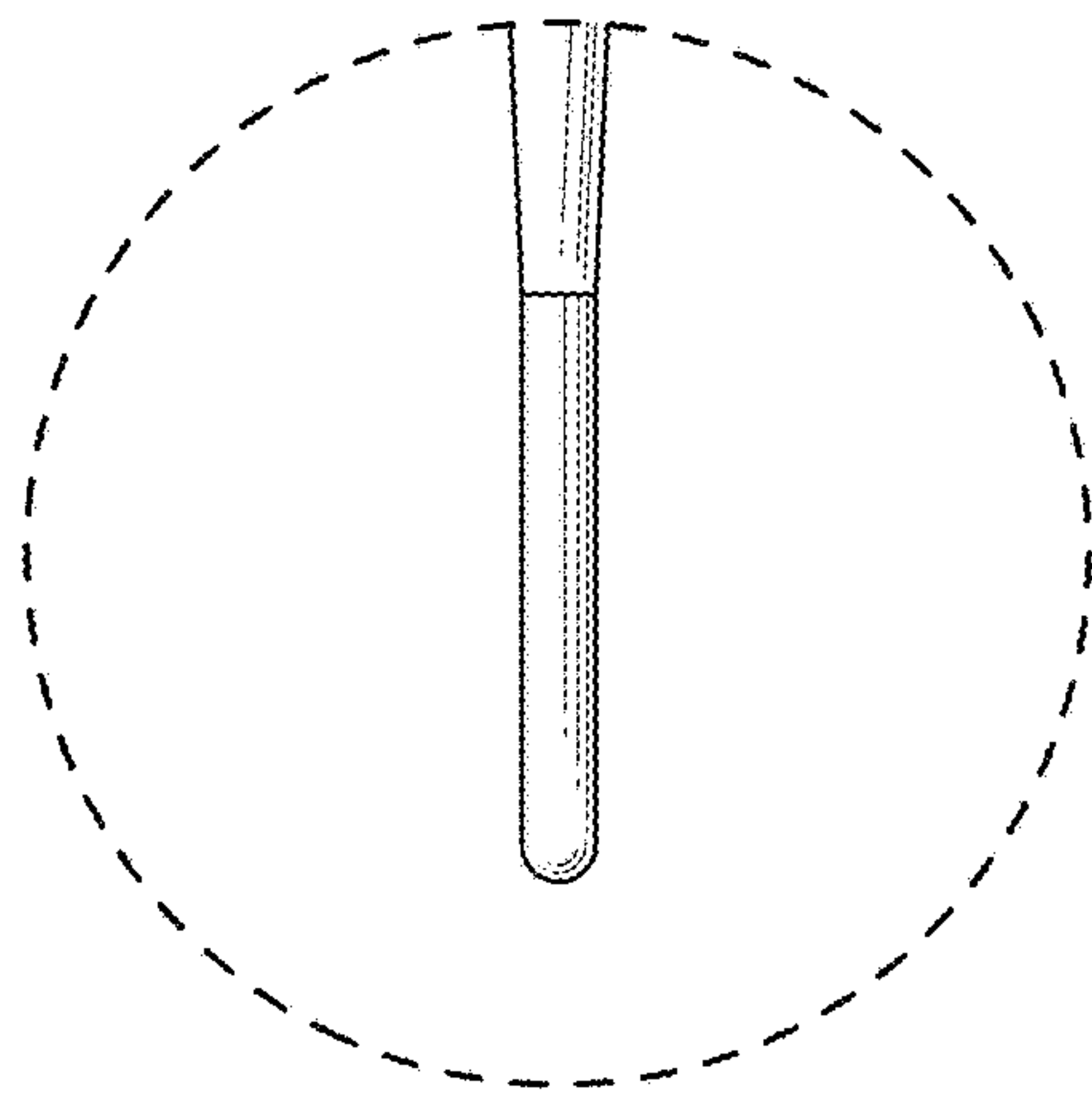
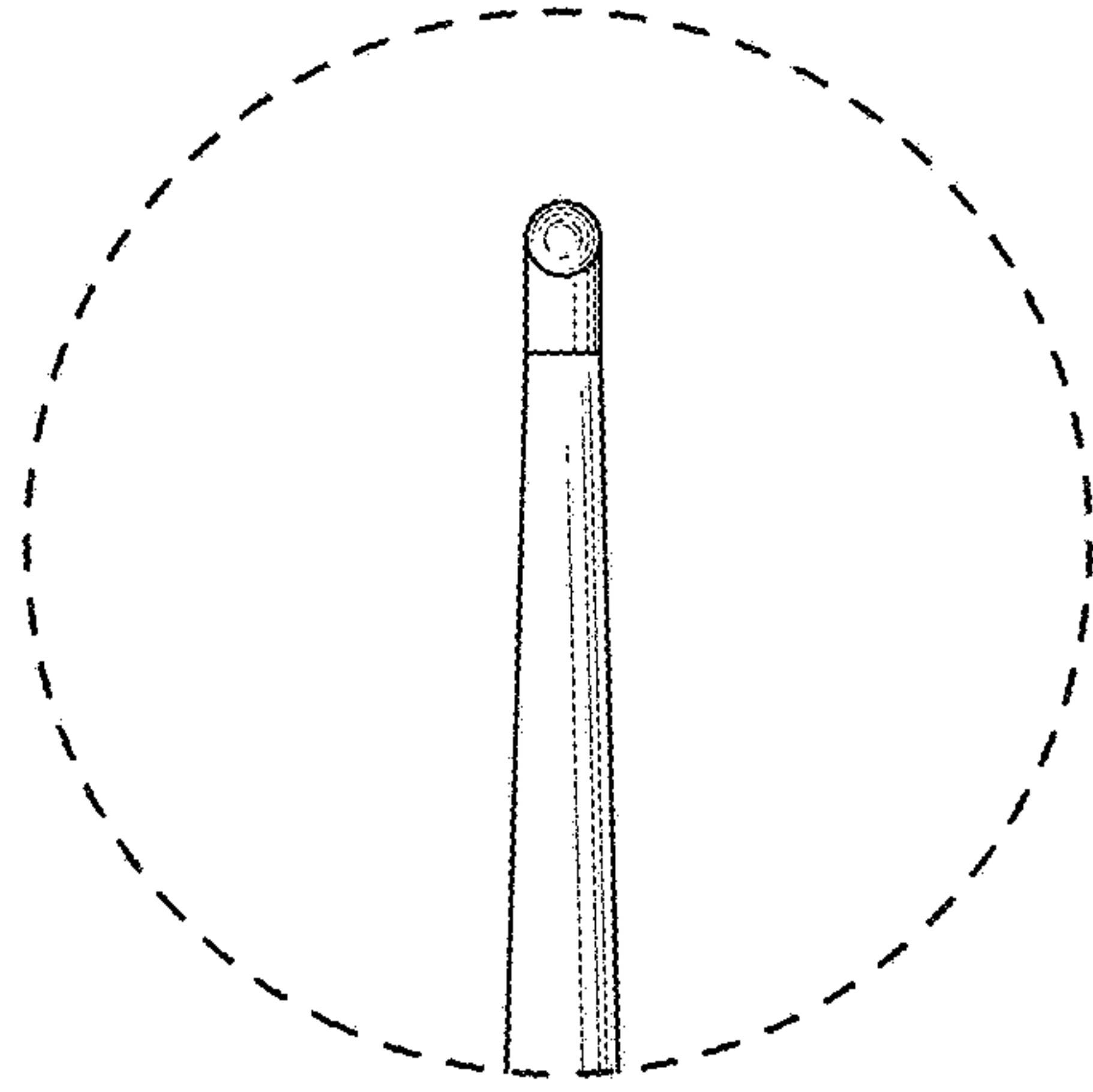
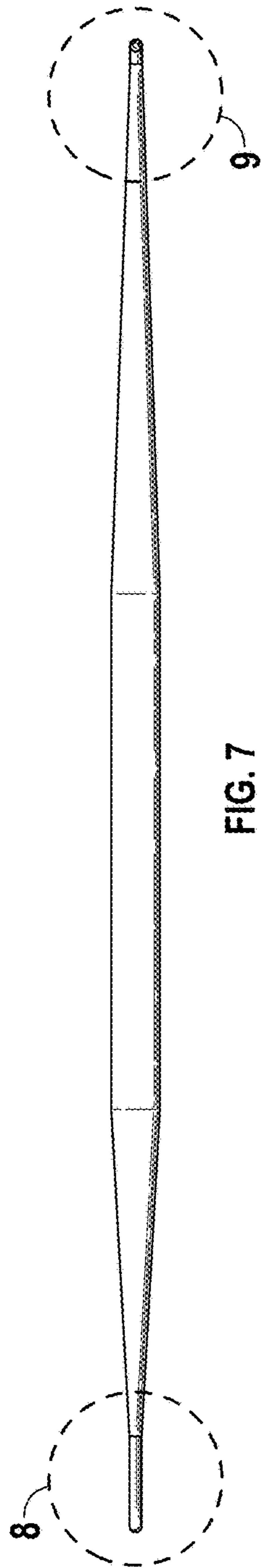


FIG. 5



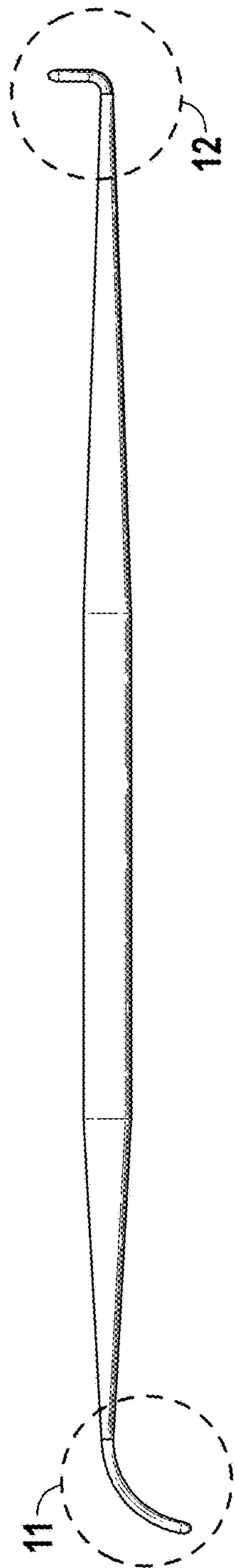


FIG. 10

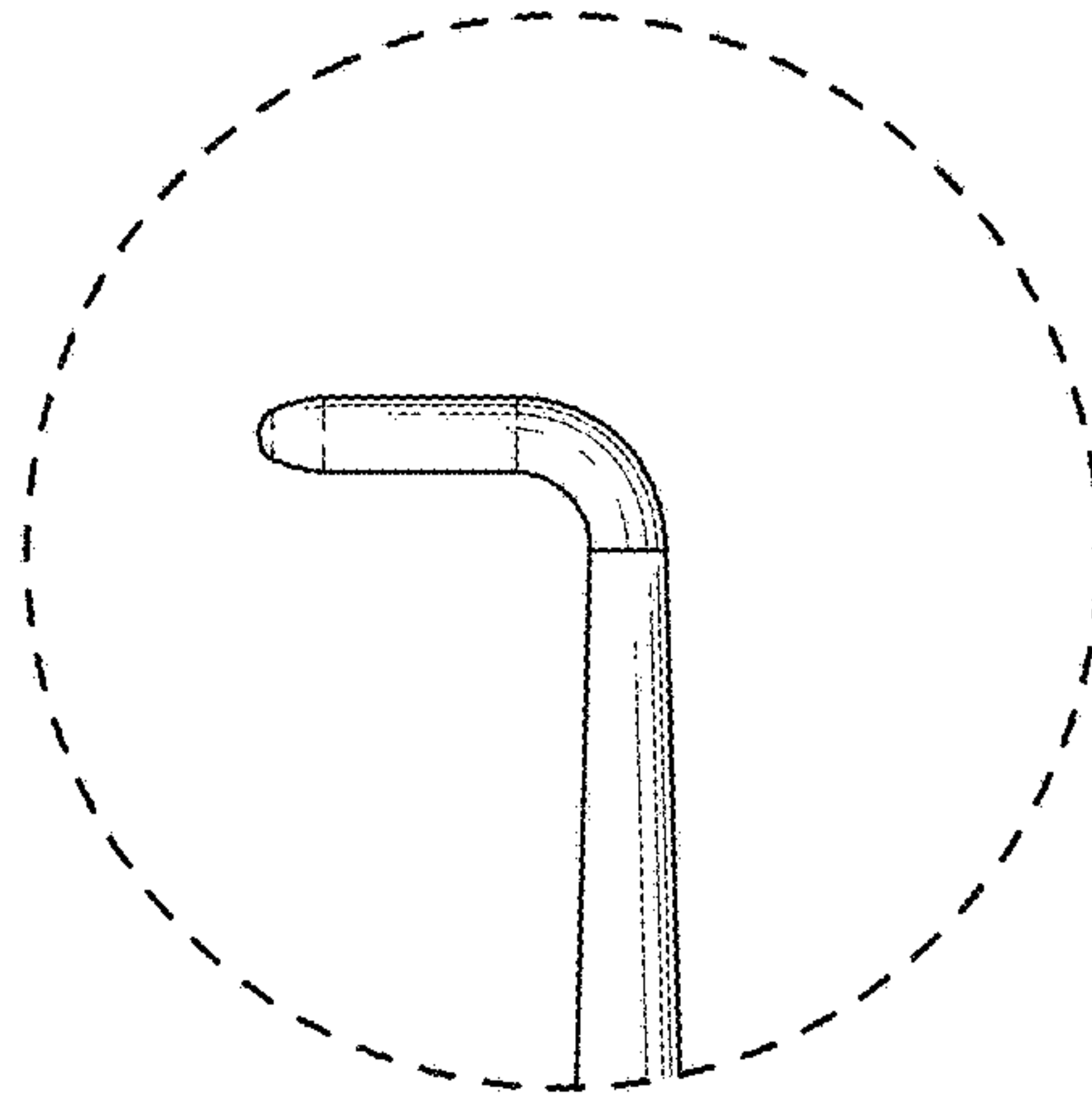


FIG. 12

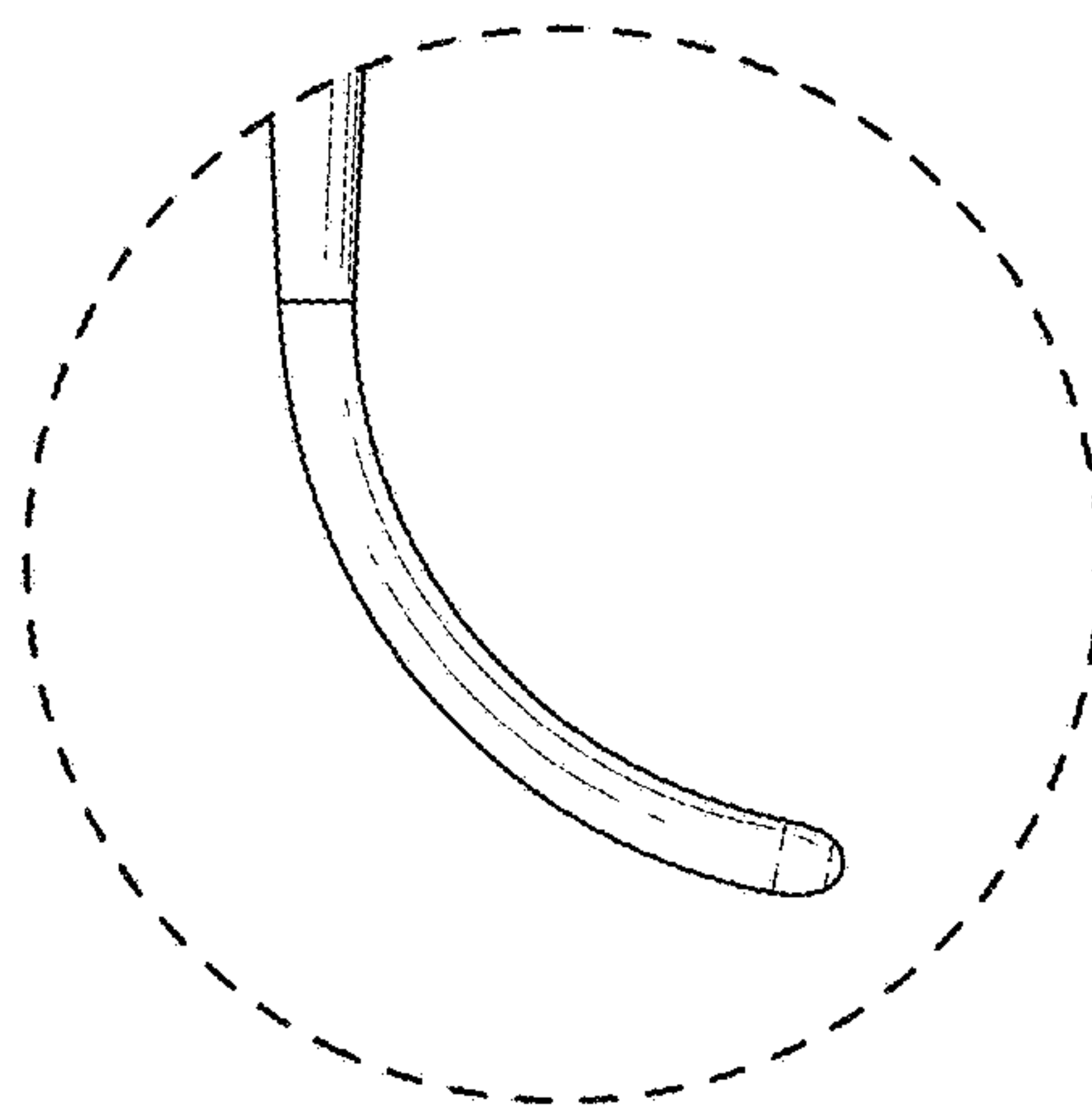


FIG. 11

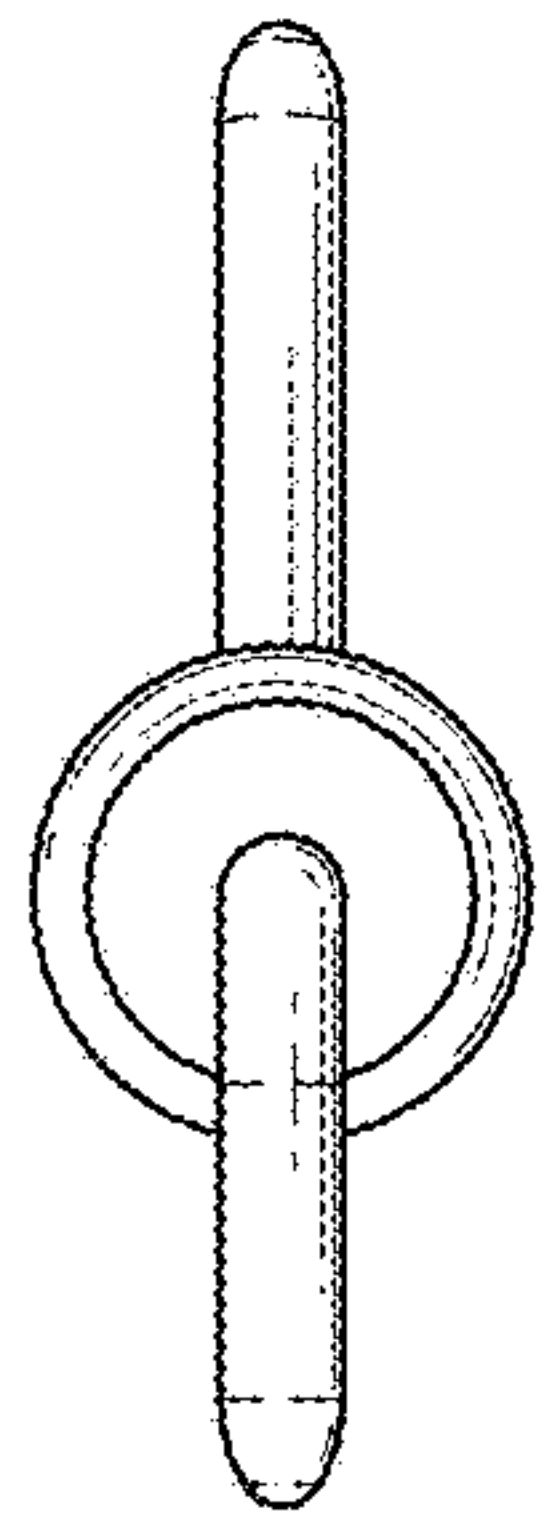


FIG. 13

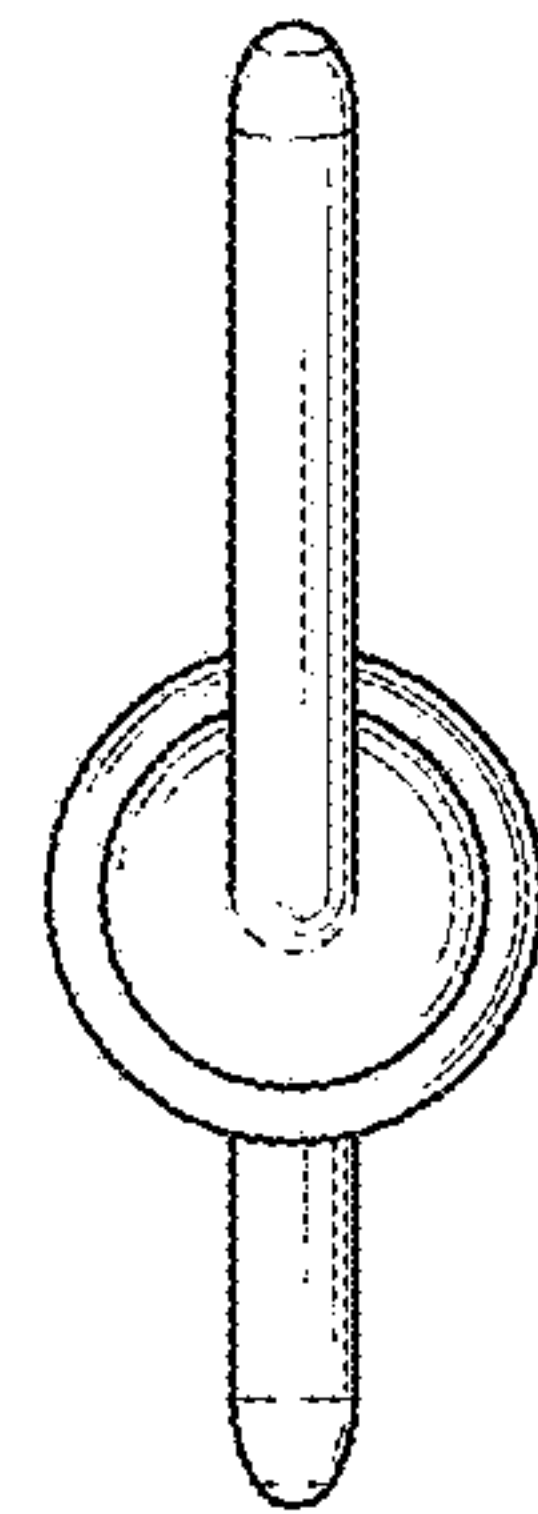


FIG. 14