

US00D865956S

(12) **United States Design Patent** (10) **Patent No.:** **US D865,956 S**
Harding et al. (45) **Date of Patent:** **** Nov. 5, 2019**

(54) **CATHETER ASSEMBLY**
(71) Applicant: **Becton, Dickinson and Company,**
Franklin Lakes, NJ (US)
(72) Inventors: **Weston Harding,** Lehi, UT (US);
Stephen Bornhoft, Sandy, UT (US);
John Stokes, Pleasant View, UT (US);
Shaun Staley, Murray, UT (US);
Yiping Ma, Layton, UT (US); **Siddarth**
Shevgoor, Laguna Beach, CA (US);
Curt Bingham, Hyde Park, UT (US)

5,676,656 A 10/1997 Brimhall
5,713,876 A 2/1998 Bogert et al.
5,830,190 A * 11/1998 Howell A61M 25/0631
604/168.01
5,951,515 A 9/1999 Osterlind
6,004,294 A 12/1999 Brimhall et al.
6,379,333 B1 * 4/2002 Brimhall A61M 5/3273
604/110
D459,802 S 7/2002 Cindrich
6,638,252 B2 10/2003 Moulton et al.
6,652,486 B2 * 11/2003 Bialecki A61M 25/0618
604/110
6,652,490 B2 * 11/2003 Howell A61M 5/3273
604/110

(Continued)

(73) Assignee: **Becton, Dickinson and Company,**
Franklin Lakes, NJ (US)

FOREIGN PATENT DOCUMENTS

(**) Term: **15 Years**

EP 0747087 A2 12/1996
WO WO-2013137348 A1 9/2013

(21) Appl. No.: **29/591,944**

Primary Examiner — David G Muller

(22) Filed: **Jan. 25, 2017**

(74) Attorney, Agent, or Firm — Dickinson Wright PLLC

(51) **LOC (12) Cl.** **24-02**

(52) **U.S. Cl.**
USPC **D24/130**

(57) **CLAIM**

The ornamental design for a catheter assembly, as shown and described.

(58) **Field of Classification Search**
USPC D24/127–131, 112–114, 133, 186;
606/181, 185; 604/264, 523–528, 272,
604/187, 158, 164.01–164.11, 181, 184,
604/227; 600/101, 139, 143;
128/200.24, 207.14, 207.15
CPC .. A61M 25/065; A61M 5/42; A61M 25/0612;
A61M 25/00; A61M 39/00; A61M 27/00;
A61M 25/0043; A61M 25/0067; A61M
25/0097; A61F 2/958
See application file for complete search history.

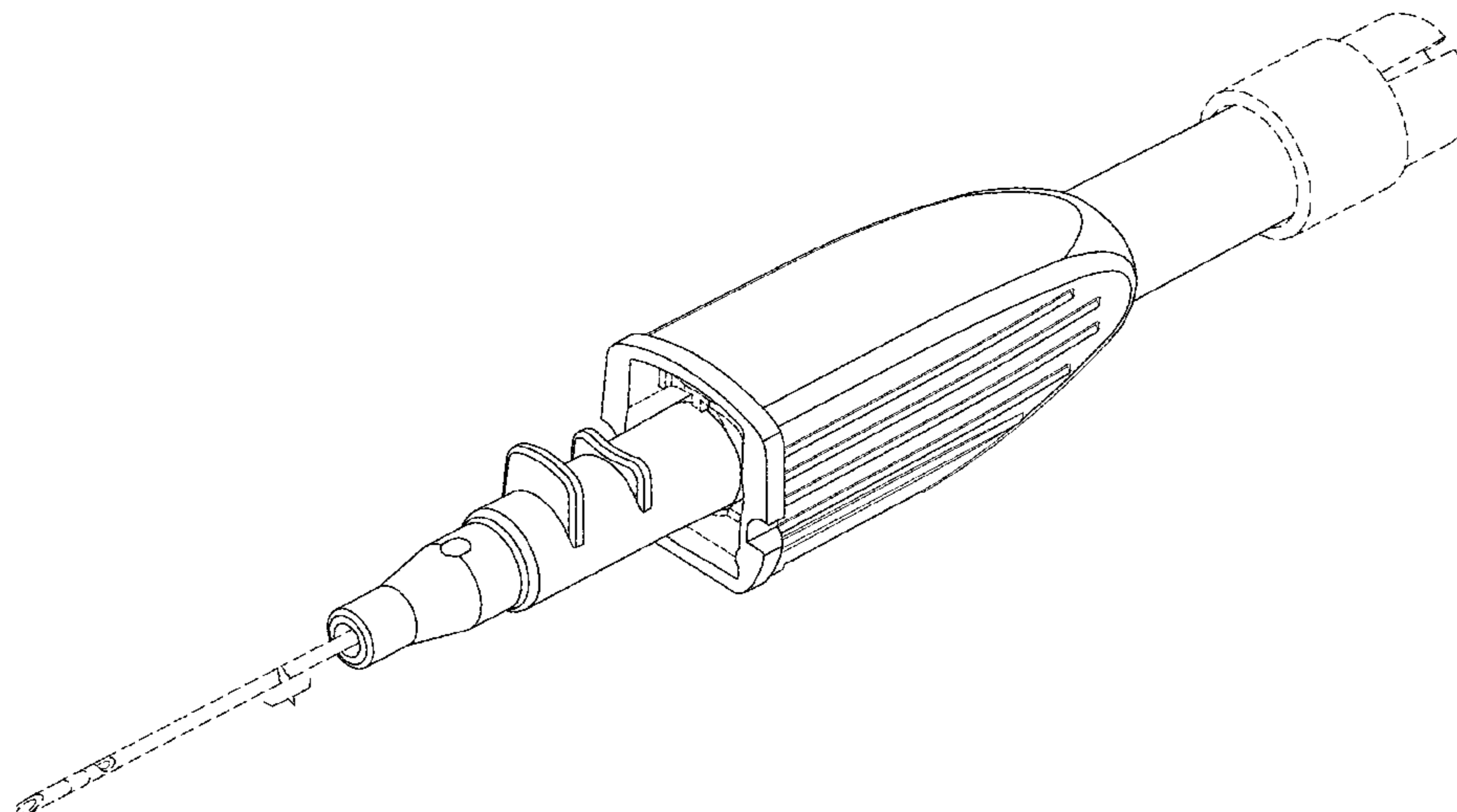
DESCRIPTION

FIG. 1 is a top perspective view of a catheter assembly embodying our new design;
FIG. 2 is a bottom perspective view thereof;
FIG. 3 is a top plan view thereof;
FIG. 4 is a side elevation view thereof;
FIG. 5 is an opposite side elevation view thereof;
FIG. 6 is a bottom plan view thereof;
FIG. 7 is a front elevation view thereof; and,
FIG. 8 is a rear elevation view thereof.
The ornamental design that is claimed is shown in solid lines in the drawings. The broken lines in the drawings represent portions of the catheter assembly that form no part of the claimed design.

(56) **References Cited**
U.S. PATENT DOCUMENTS

4,863,432 A 9/1989 Kvalo
4,951,977 A * 8/1990 Shutt F16L 37/122
285/277

1 Claim, 5 Drawing Sheets



(56)

References Cited

U.S. PATENT DOCUMENTS

D491,266	S	6/2004	Cindrich et al.	
D492,031	S	6/2004	Cindrich et al.	
6,749,588	B1	6/2004	Howell et al.	
D592,302	S	5/2009	Stokes et al.	
7,530,965	B2	5/2009	Villa et al.	
D605,287	S *	12/2009	Crawford	D24/130
7,658,725	B2 *	2/2010	Bialecki	A61M 25/0606 604/164.08
7,722,569	B2	5/2010	Soderholm et al.	
7,753,887	B2 *	7/2010	Botich	A61M 25/0631 604/110
D655,406	S	3/2012	Ma et al.	
8,206,355	B2	6/2012	Thorne	
8,585,644	B2 *	11/2013	Rodriguez Lelis	A61M 25/0113 604/110
8,591,467	B2	11/2013	Walker et al.	
9,011,382	B2 *	4/2015	Nilsson	A61M 25/0606 604/164.02
9,056,188	B2	6/2015	Hager et al.	
9,095,679	B2	8/2015	Nishimura et al.	
D748,777	S *	2/2016	Uenishi	D24/130
9,687,633	B2 *	6/2017	Teoh	A61M 25/0612
9,867,940	B2 *	1/2018	Holmqvist	A61M 5/20
2014/0303561	A1	10/2014	Li	
2014/0364809	A1	12/2014	Isaacson et al.	
2015/0238733	A1	8/2015	bin Abdulla	

* cited by examiner

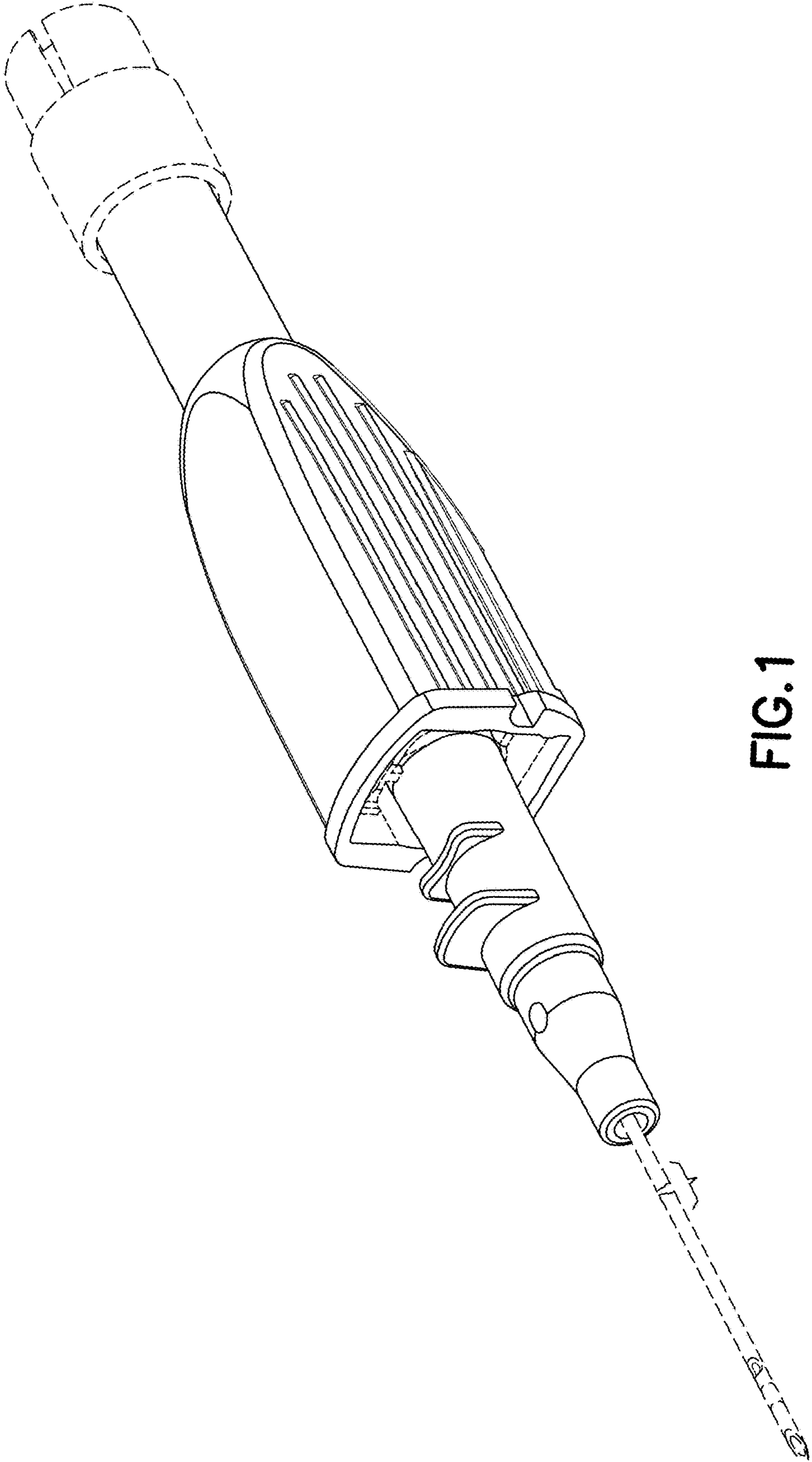


FIG. 1

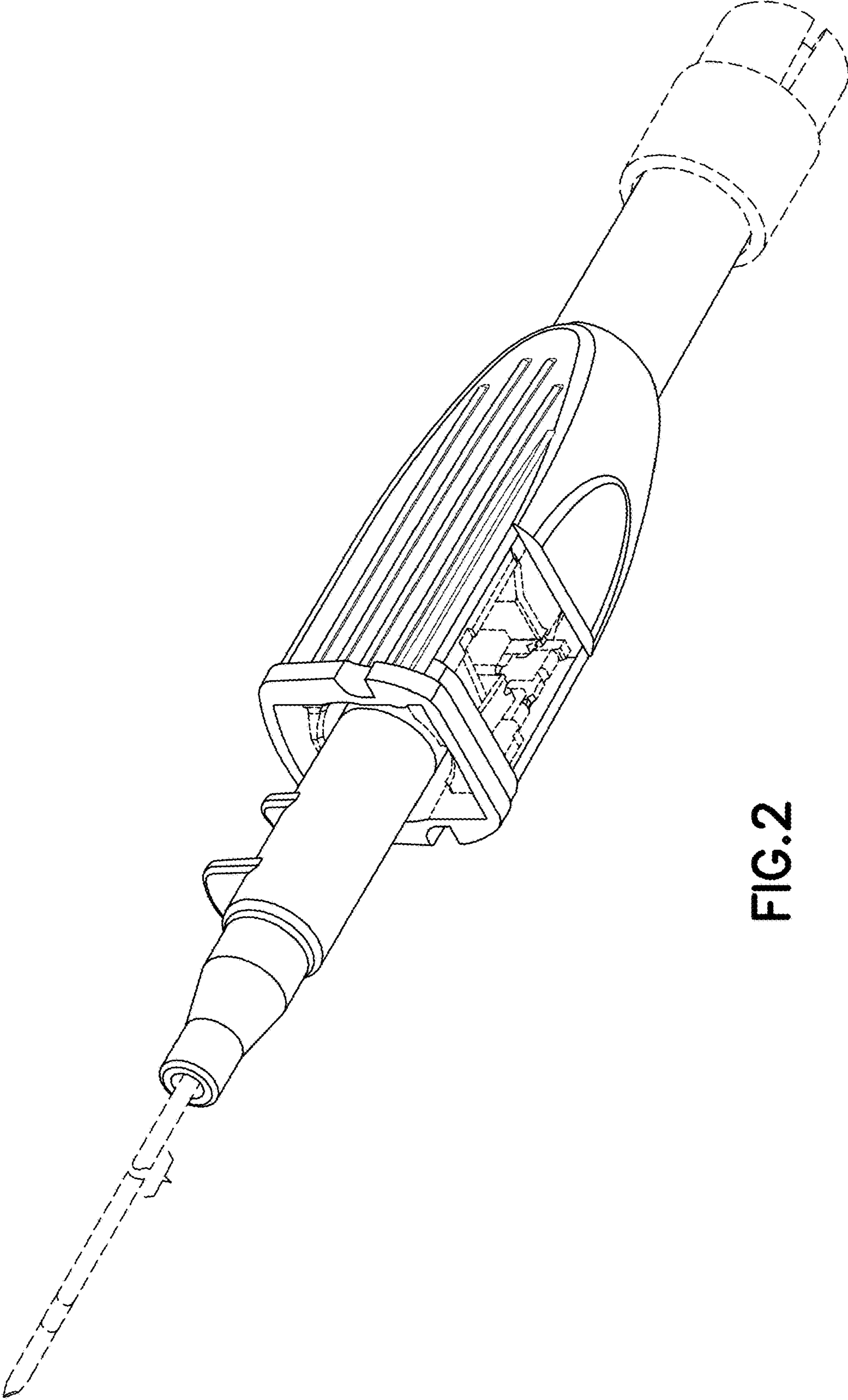


FIG.2

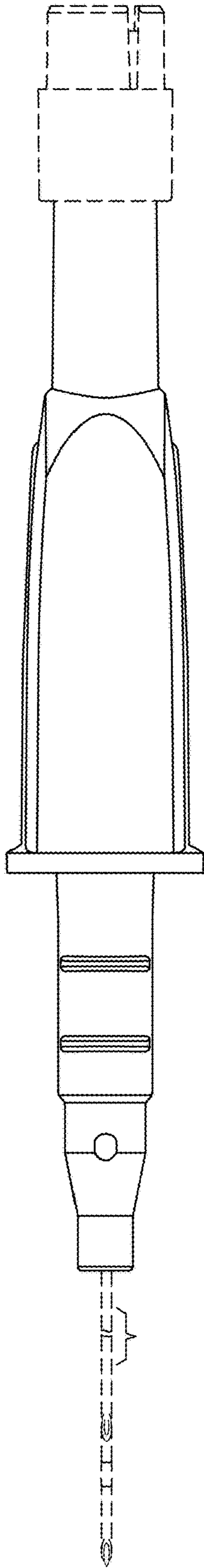


FIG. 3

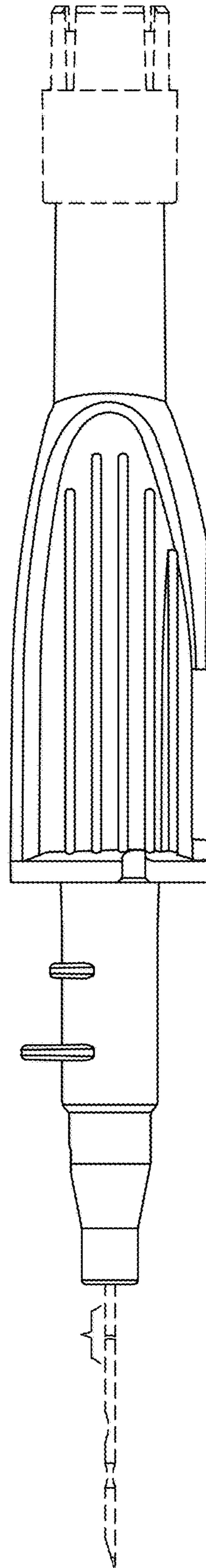


FIG. 4

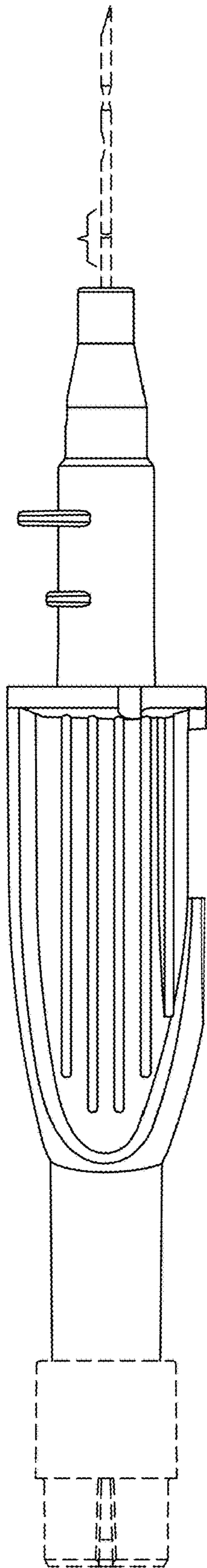


FIG. 5

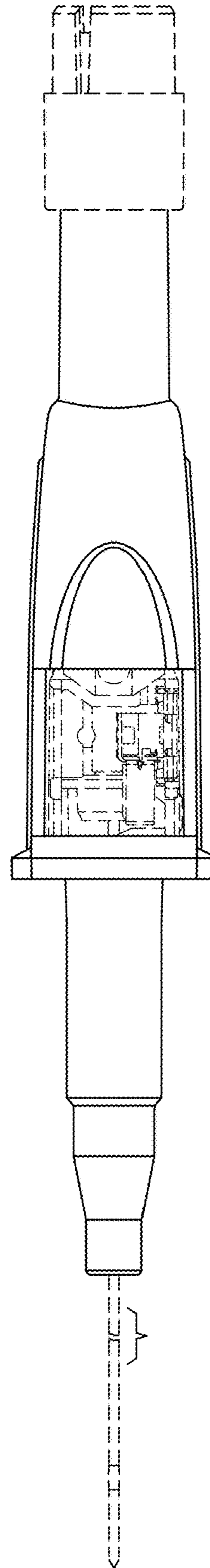


FIG. 6

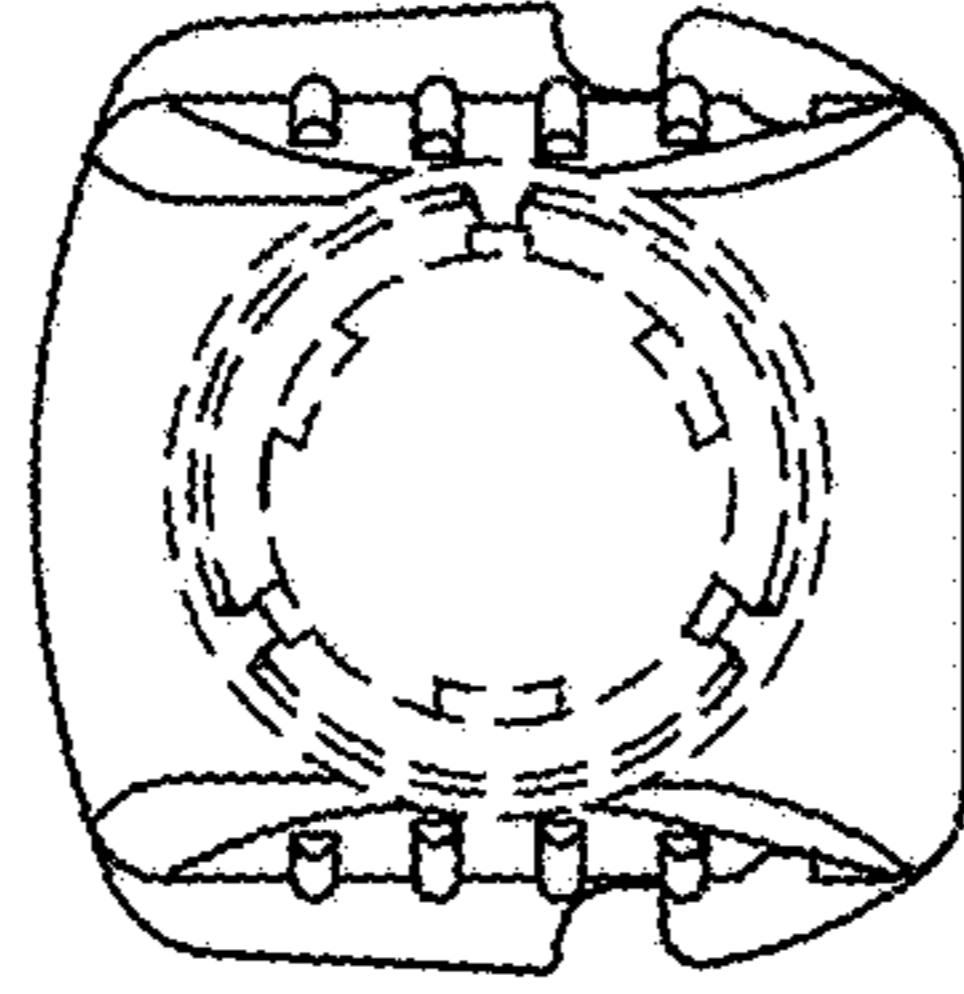


FIG. 8

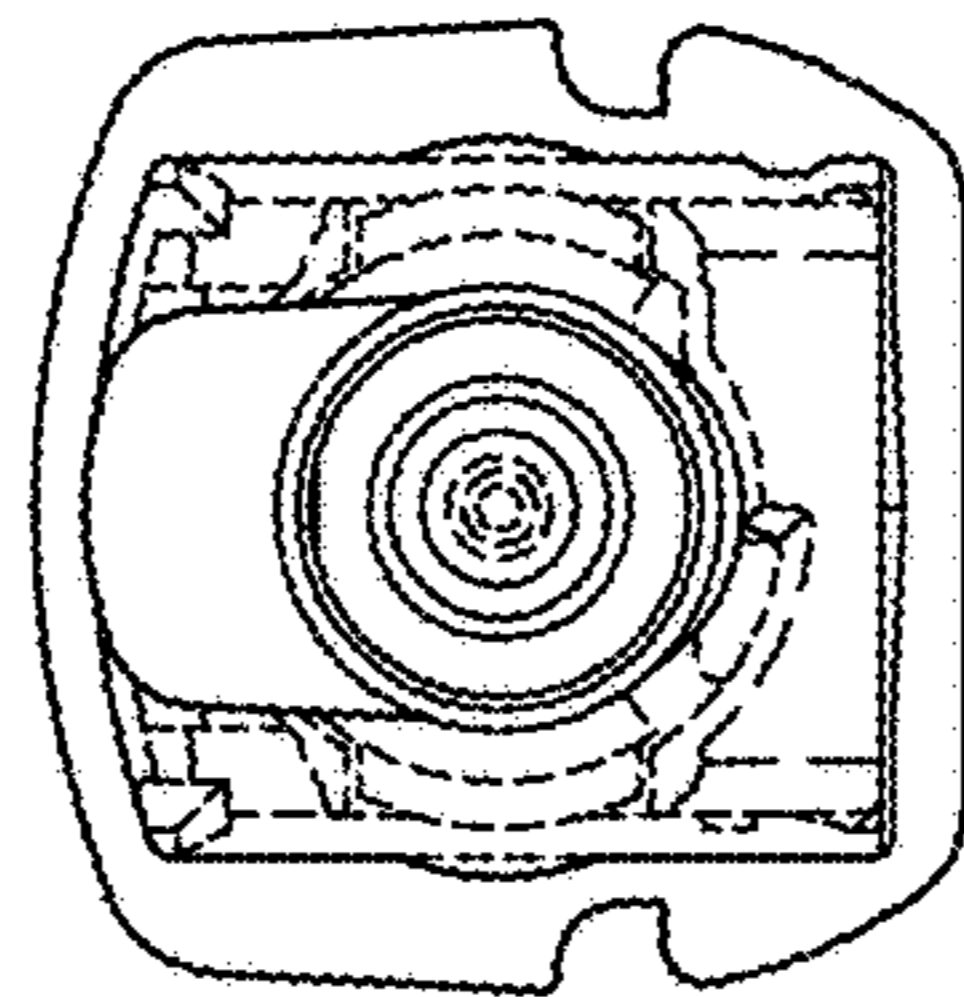


FIG. 7