



US00D865954S

(12) **United States Design Patent** (10) **Patent No.:** **US D865,954 S**  
**Mottola et al.** (45) **Date of Patent:** **\*\* Nov. 5, 2019**

(54) **BREAKAWAY CONNECTOR**

FOREIGN PATENT DOCUMENTS

(71) Applicant: **Merit Medical Systems, Inc.**, South Jordan, UT (US)

WO 2003090843 11/2003  
WO 2005004974 1/2005

(Continued)

(72) Inventors: **Jim Mottola**, West Jordan, UT (US);  
**Denise Hallisey**, Wethersfield, CT (US);  
**Gregory R. McArthur**, Sandy, UT (US);  
**Richard P. Jenkins**, Bluffdale, UT (US);  
**Brian Stevens**, Pleasant Grove, UT (US)

OTHER PUBLICATIONS

Office Action dated Aug. 2, 2018 for U.S. Appl. No. 15/228,796.  
(Continued)

*Primary Examiner* — David G Muller

(73) Assignee: **Merit Medical Systems, Inc.**, South Jordan, UT (US)

(74) *Attorney, Agent, or Firm* — Stoel Rives LLP

(\*\*) Term: **15 Years**

(57) **CLAIM**

The ornamental design for a breakaway connector, as shown and described.

(21) Appl. No.: **29/642,644**

**DESCRIPTION**

(22) Filed: **Mar. 30, 2018**

(51) **LOC (12) Cl.** ..... **24-02**

(52) **U.S. Cl.**  
USPC ..... **D24/129**

(58) **Field of Classification Search**  
USPC ..... D24/127–131, 112–114, 133, 186;  
606/181, 185; 604/264, 523–528, 272,  
604/187, 158, 164.01–164.11, 181, 184,  
604/227; 600/101, 139, 143;  
128/200.24, 207.14, 207.15  
CPC ..... A61M 25/00; A61M 39/00; A61M 27/00;  
A61M 25/0043; A61M 25/0067; A61M  
25/0097; A61F 2/958  
See application file for complete search history.

FIG. 1 is first top perspective view of an embodiment of a breakaway connector in a disconnected configuration.  
FIG. 2 is a second top perspective view of the breakaway connector of FIG. 1.  
FIG. 3 is left side view thereof, the right side being a mirror image.  
FIG. 4 is a top view thereof, the bottom being a mirror image.  
FIG. 5 is a back end view thereof.  
FIG. 6 is a front end view thereof.  
FIG. 7 is a first top perspective view of the breakaway connector of FIG. 1 in a connected configuration.  
FIG. 8 is a second top perspective view of the breakaway connector of FIG. 7.  
FIG. 9 is a left side view thereof, the right side being a mirror image.  
FIG. 10 is a top view thereof, the bottom being a mirror image.  
FIG. 11 is a back end view thereof; and,  
FIG. 12 is a front end view thereof.  
The broken lines form no part of the claimed design.

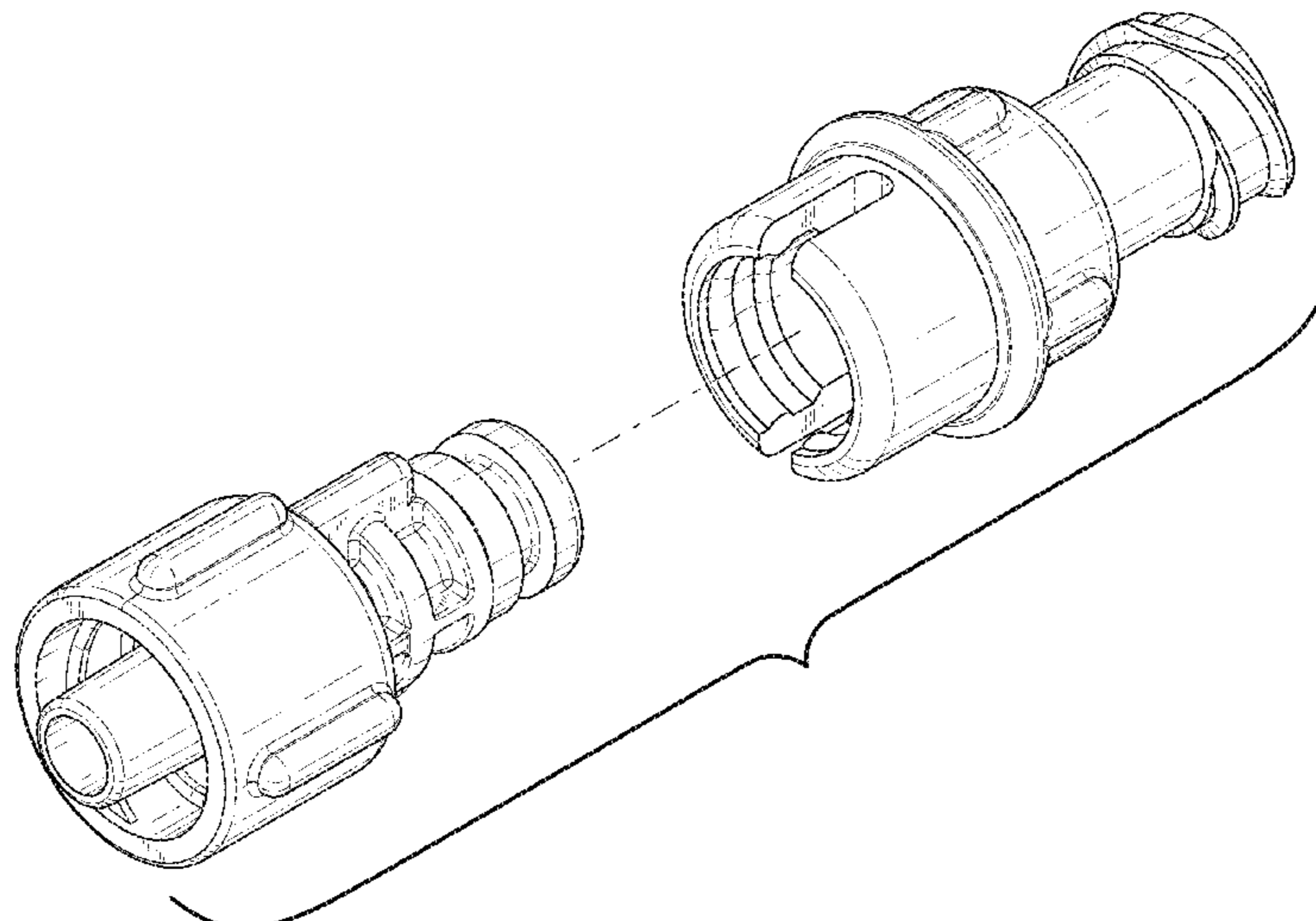
(56) **References Cited**

U.S. PATENT DOCUMENTS

4,441,775 A 4/1984 Walters  
5,405,336 A 4/1995 Austin et al.  
5,492,147 A 2/1996 Challender et al.  
6,776,638 B2 8/2004 Thurston

(Continued)

**1 Claim, 8 Drawing Sheets**





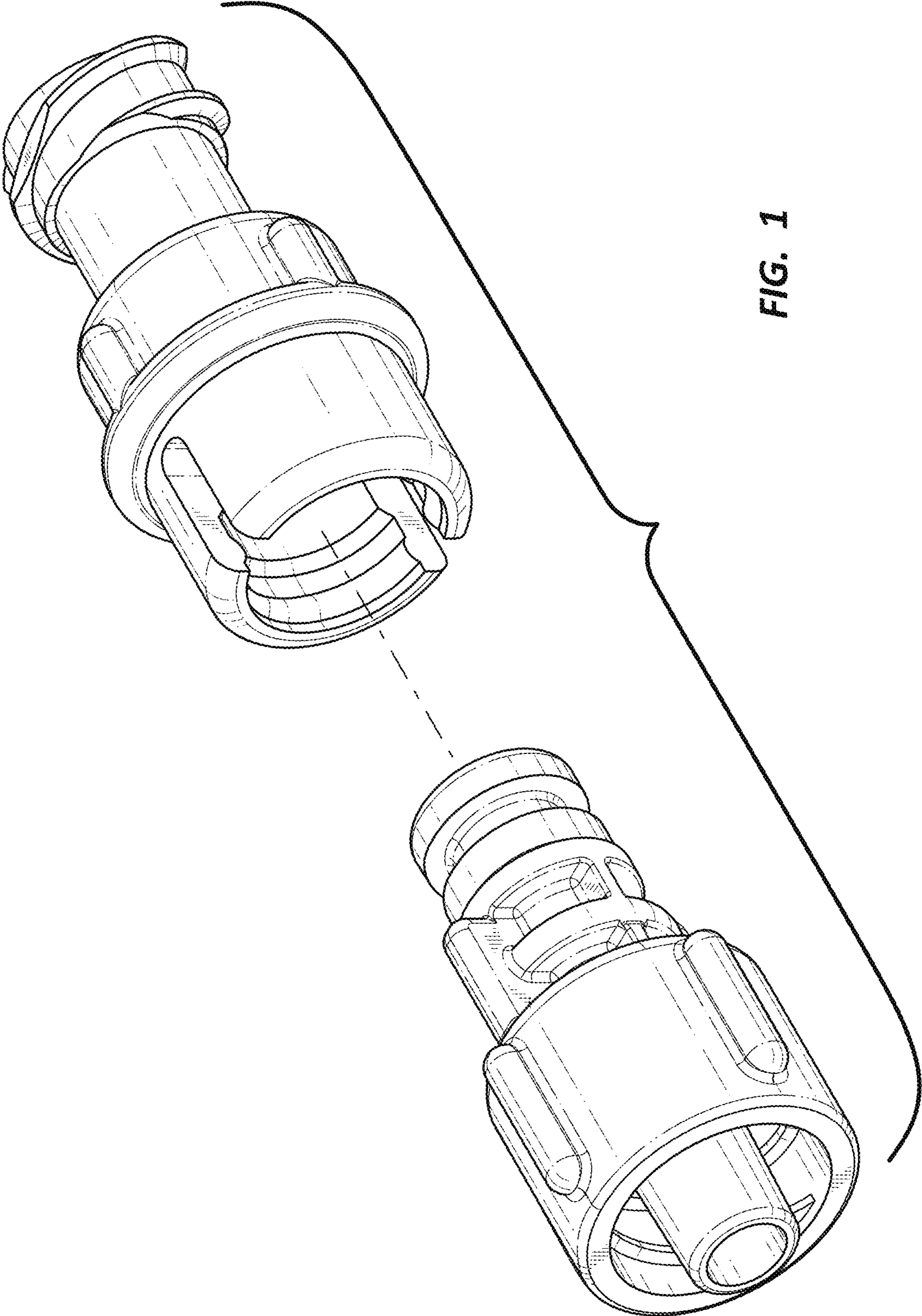


FIG. 1



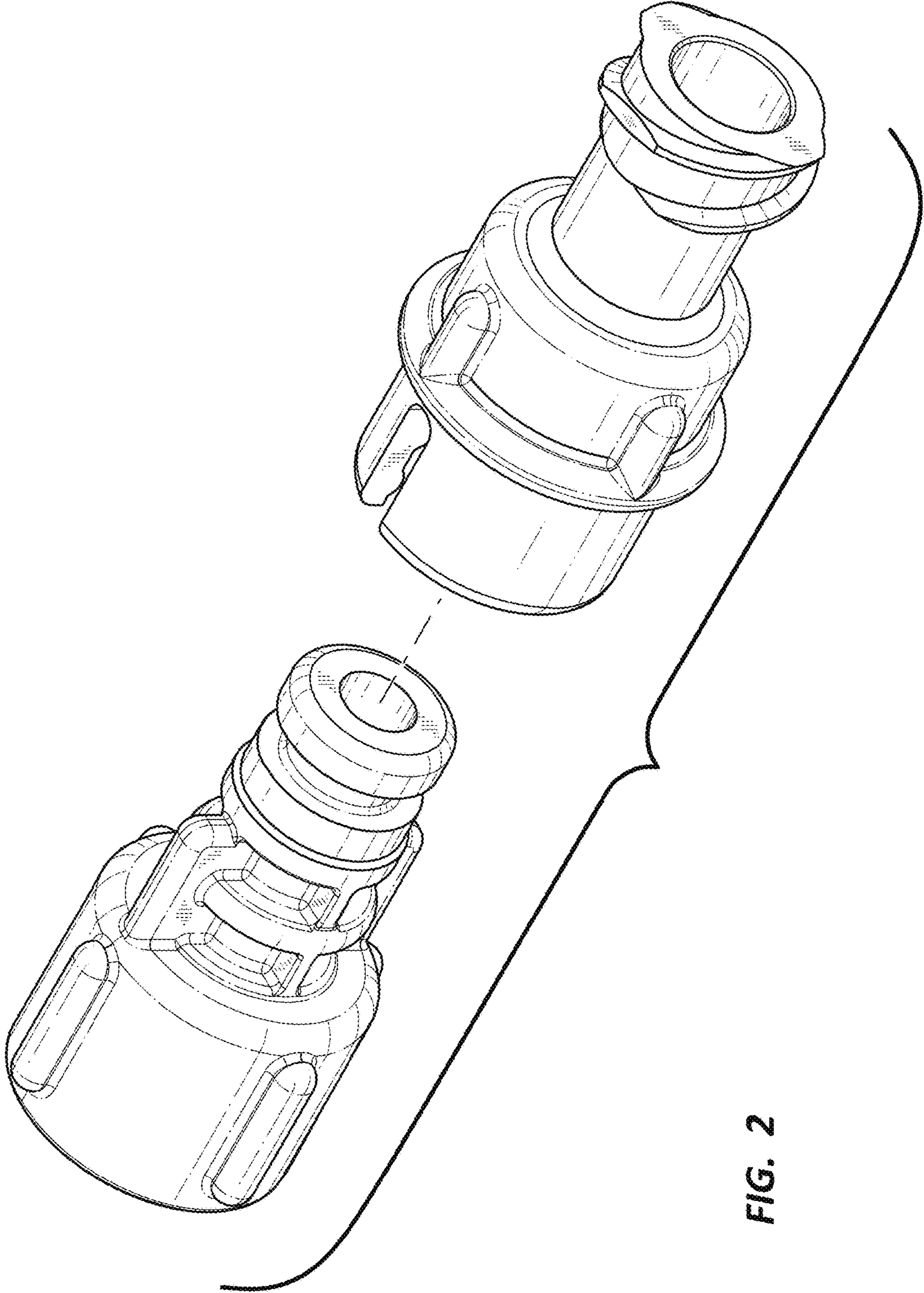


FIG. 2

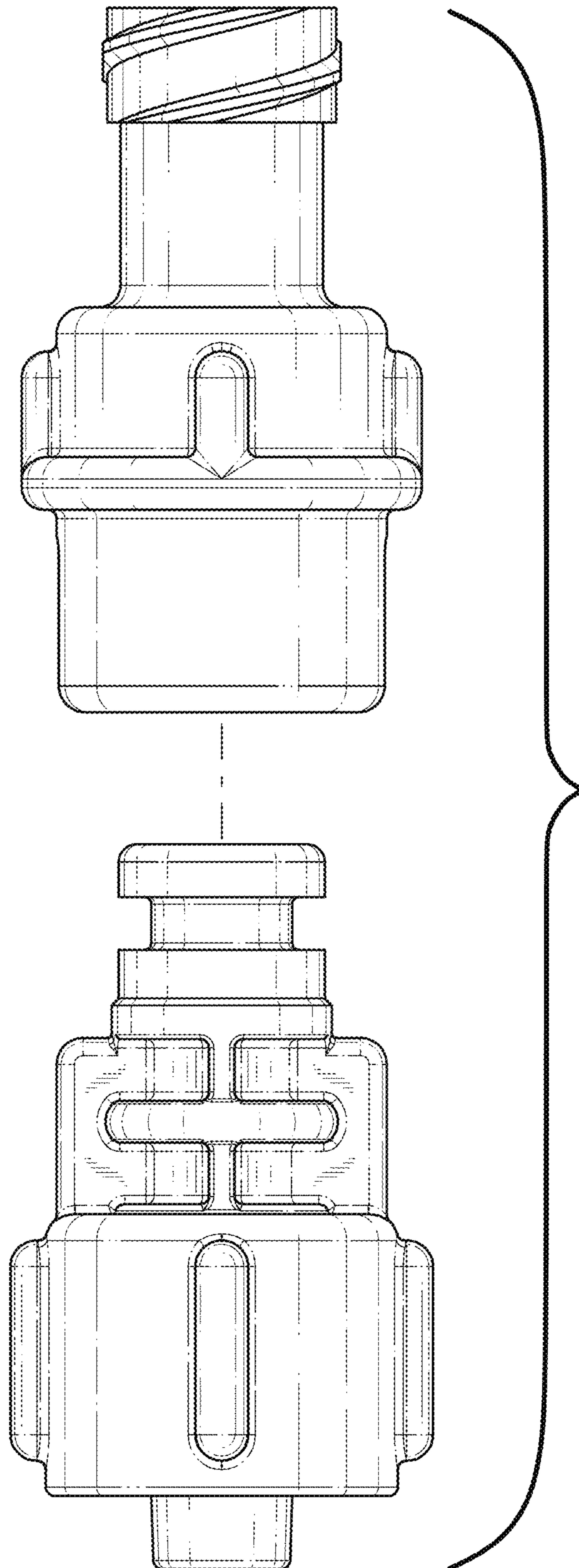


FIG. 3

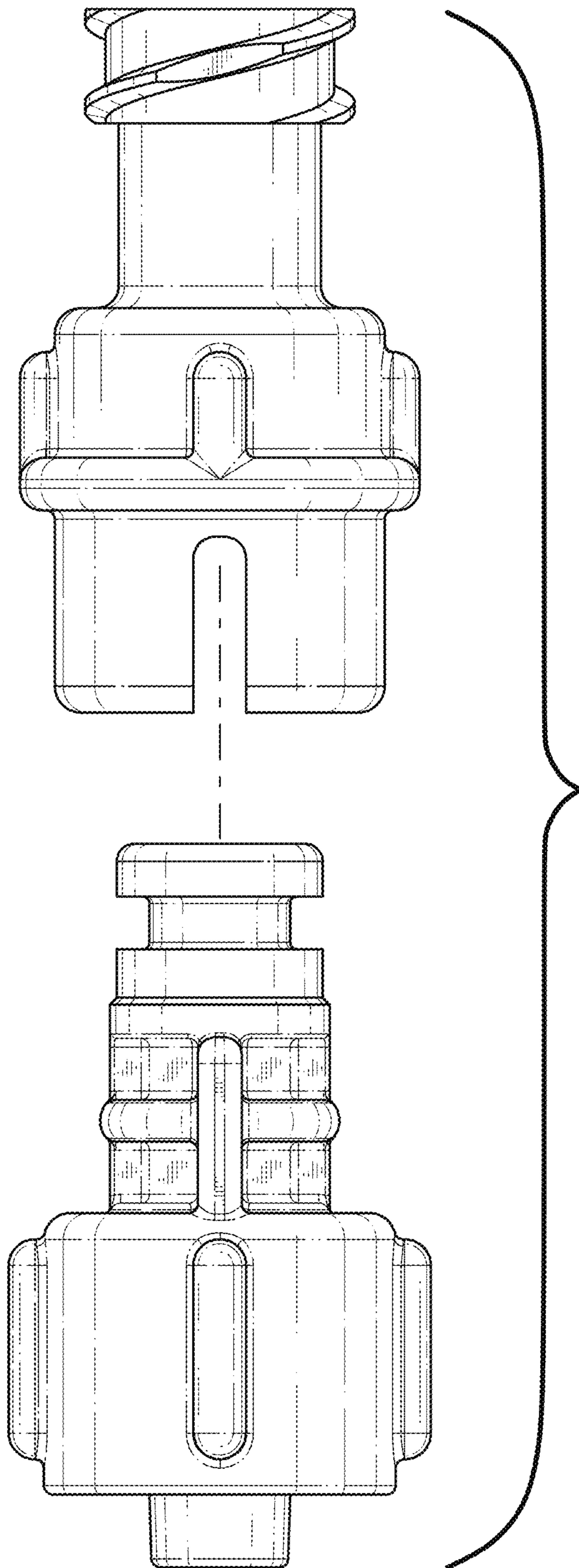


FIG. 4

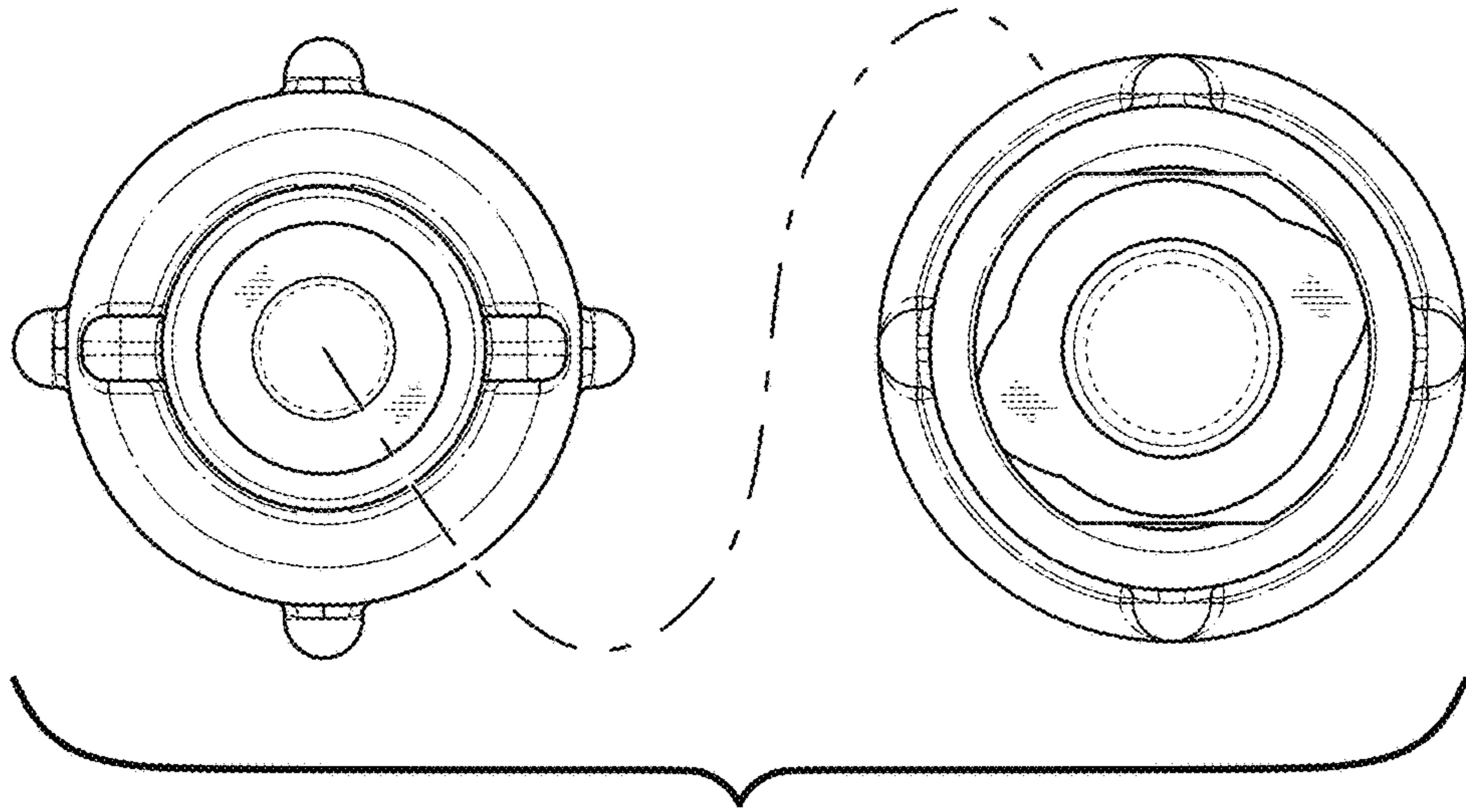


FIG. 6

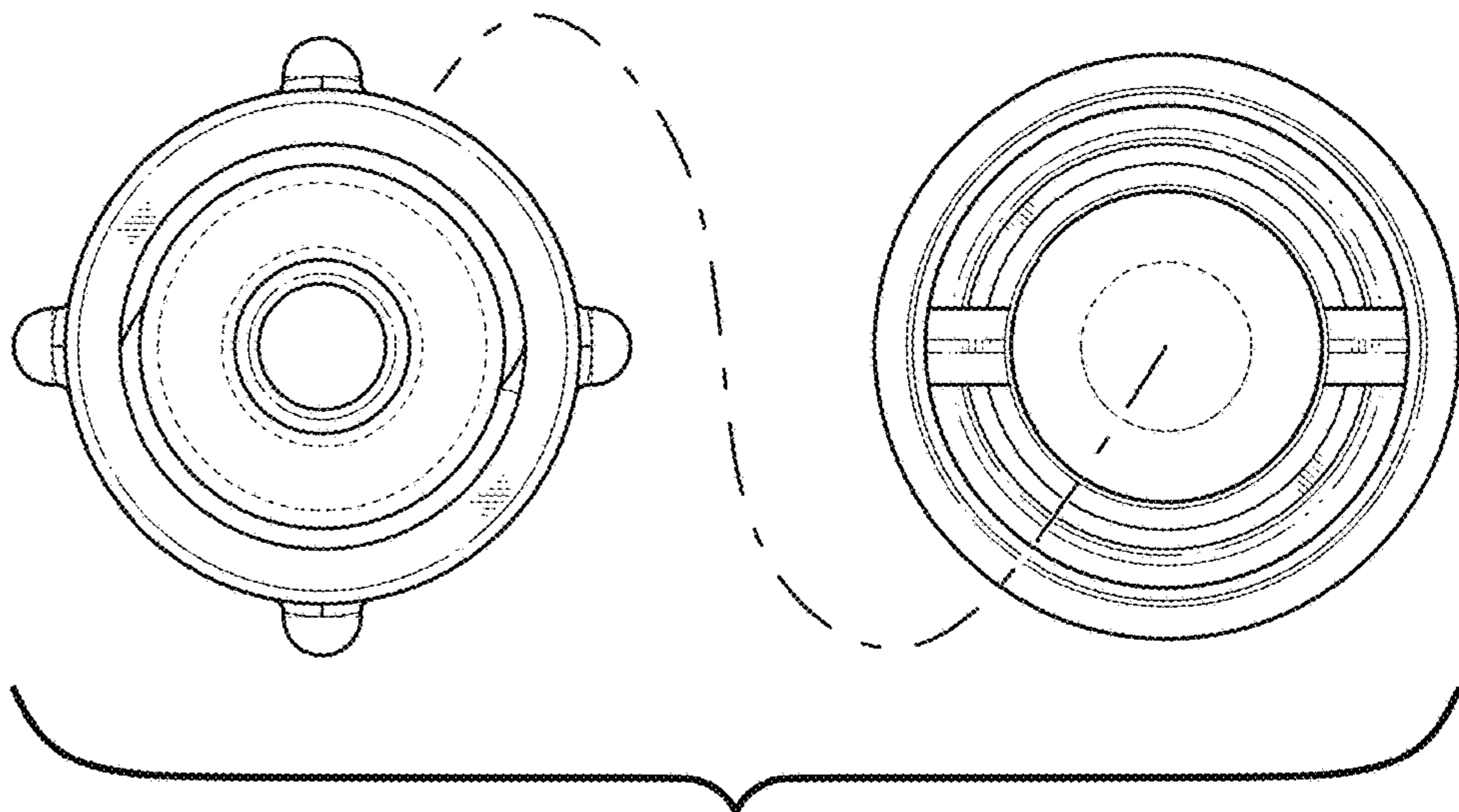


FIG. 5



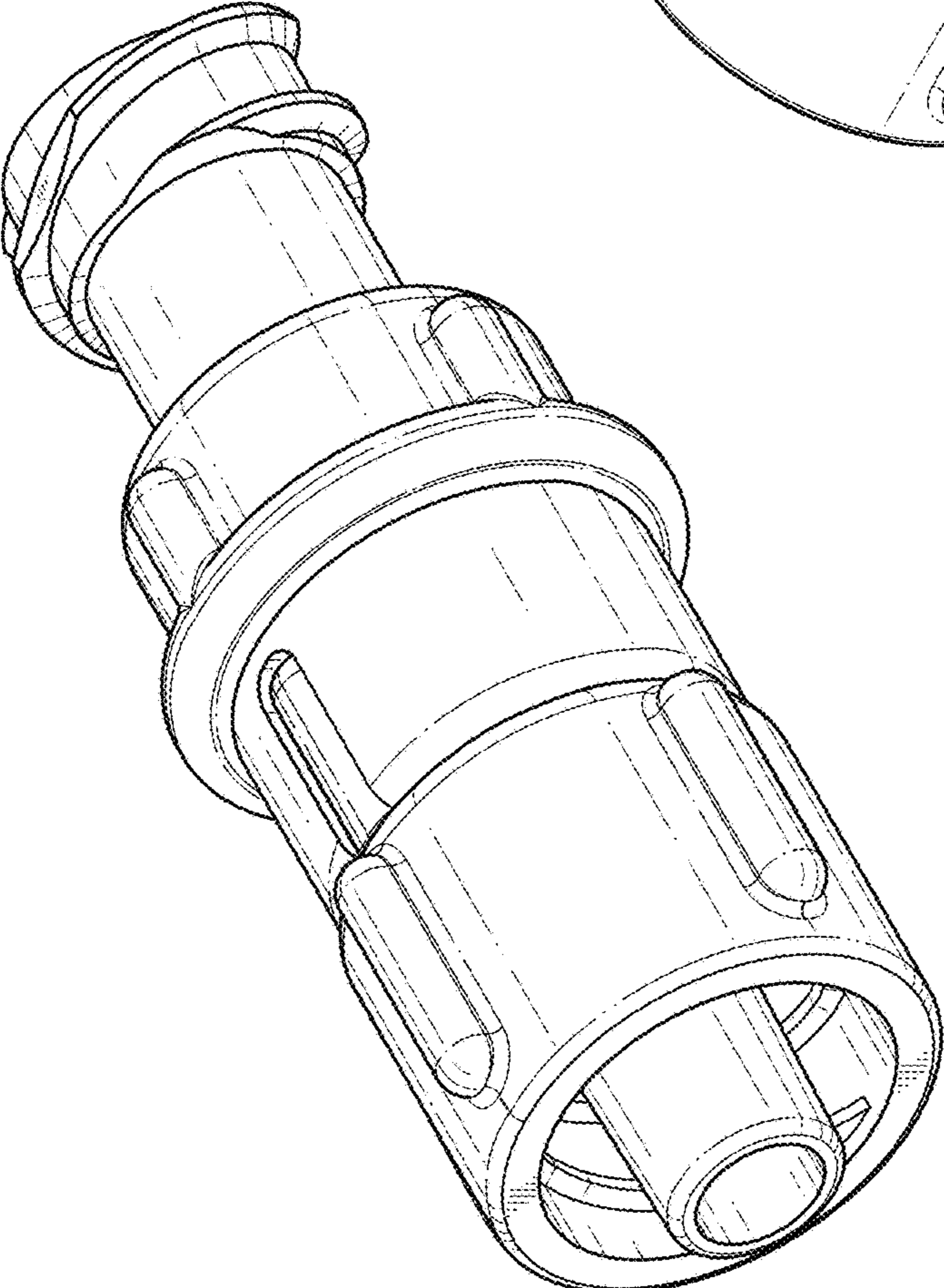


FIG. 7

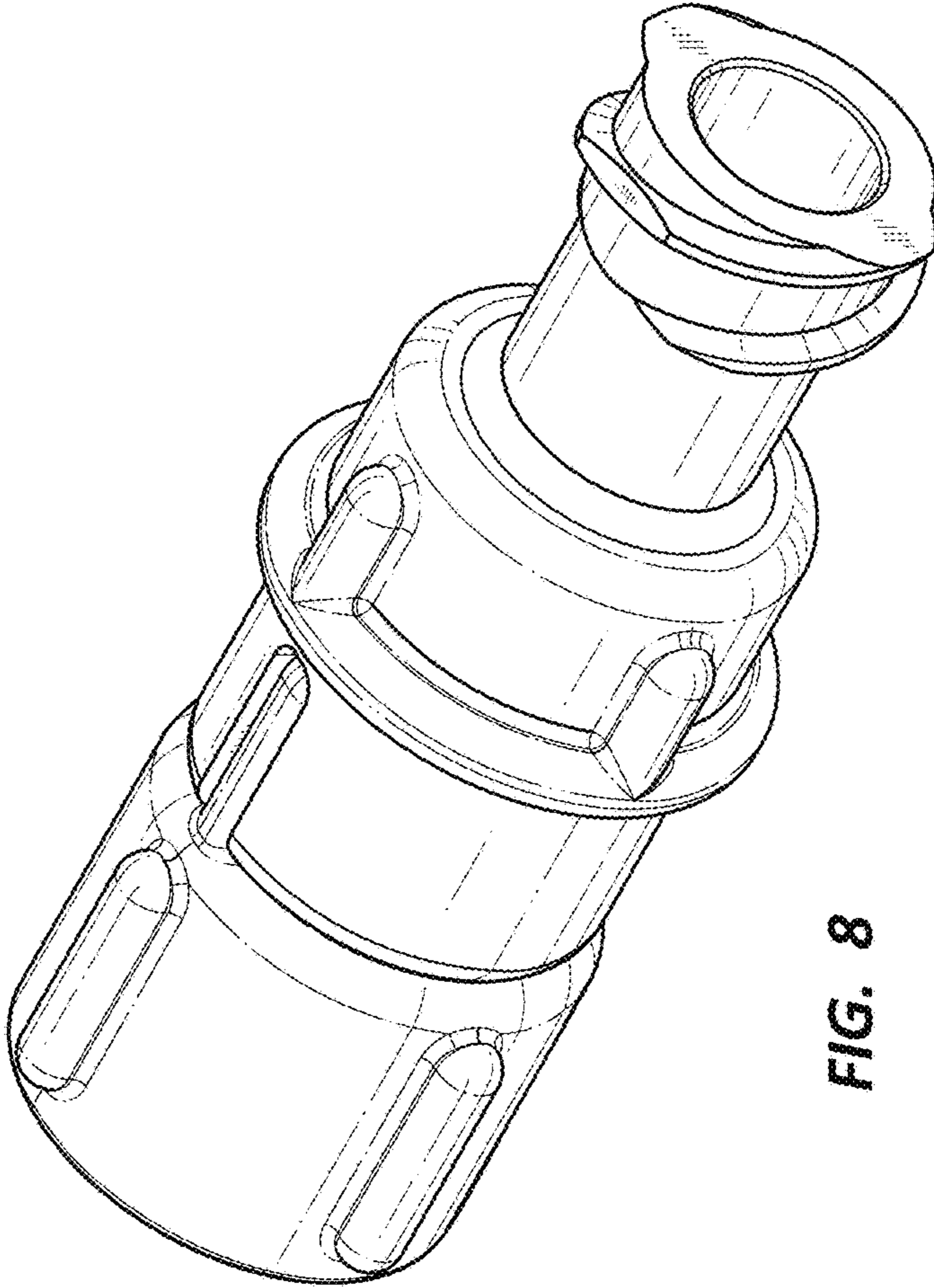


FIG. 8



FIG. 9

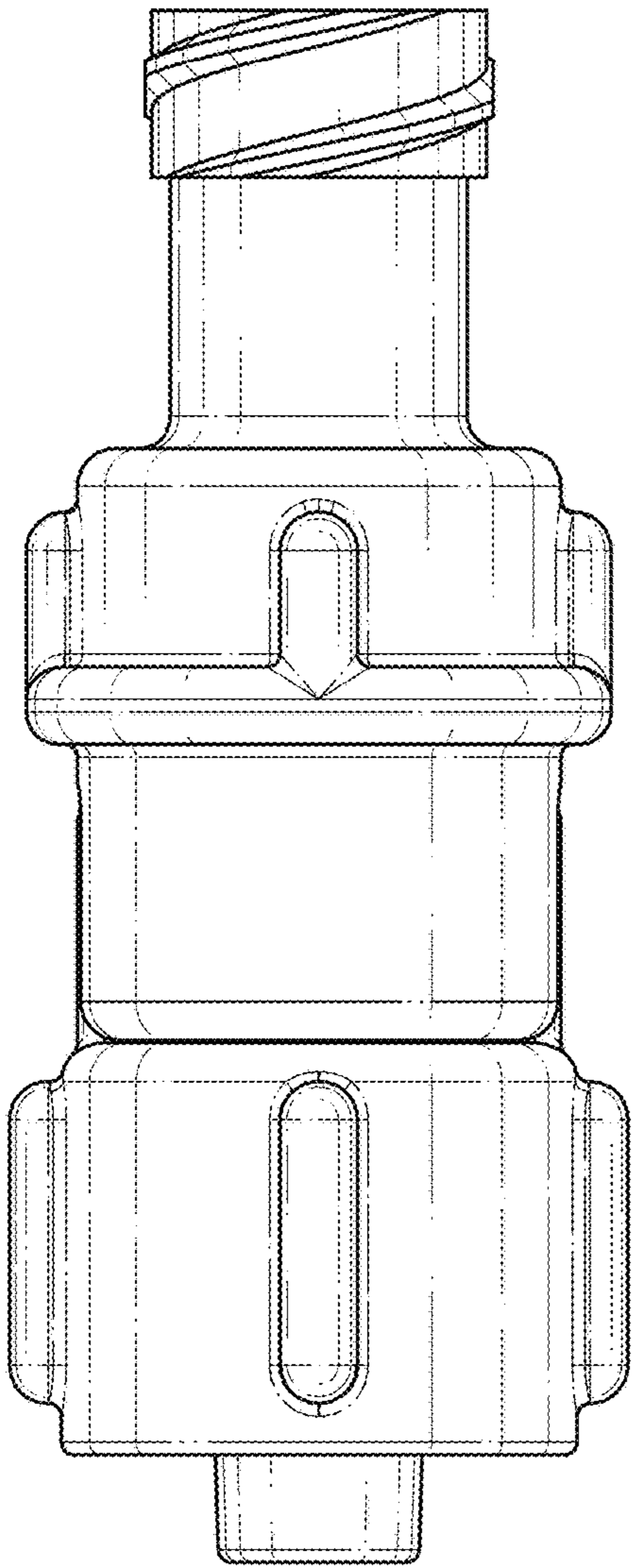
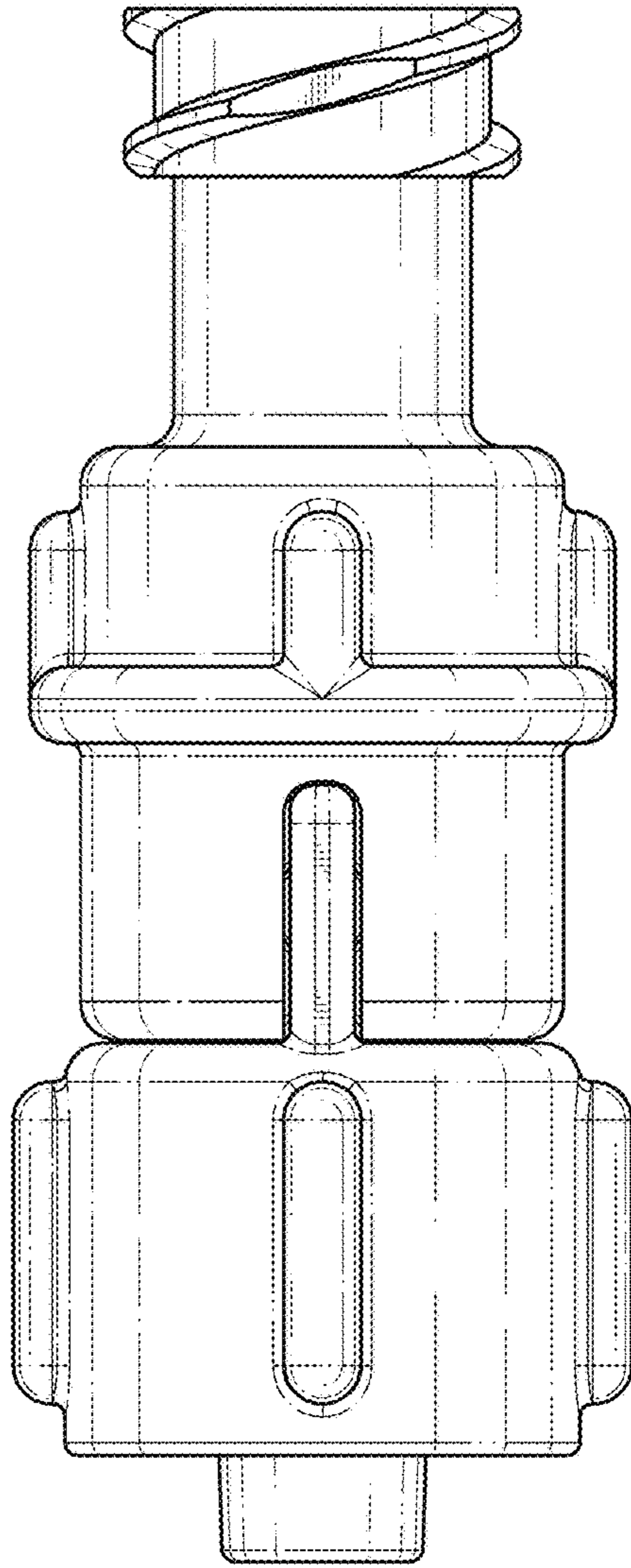


FIG. 10



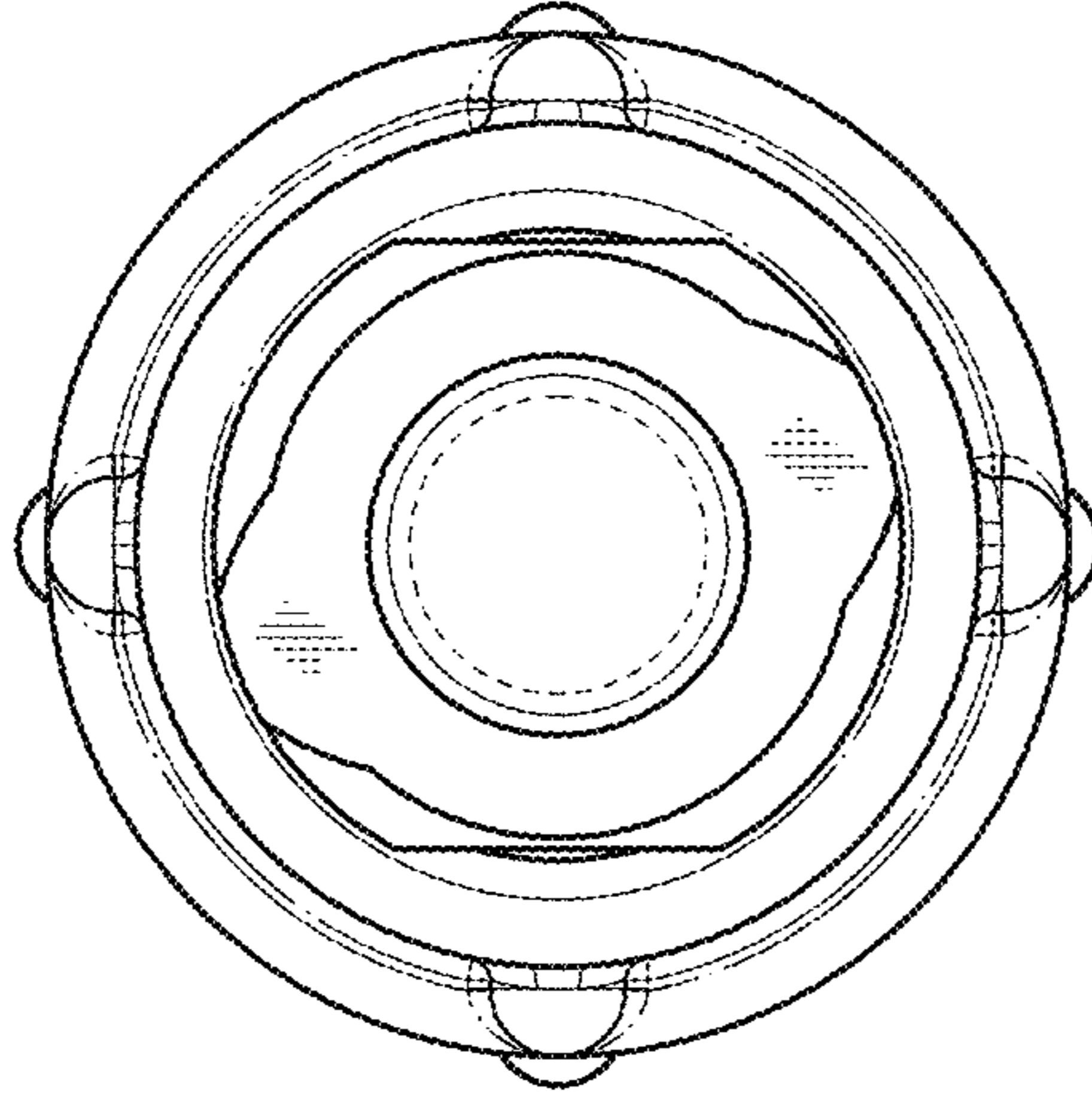


FIG. 12

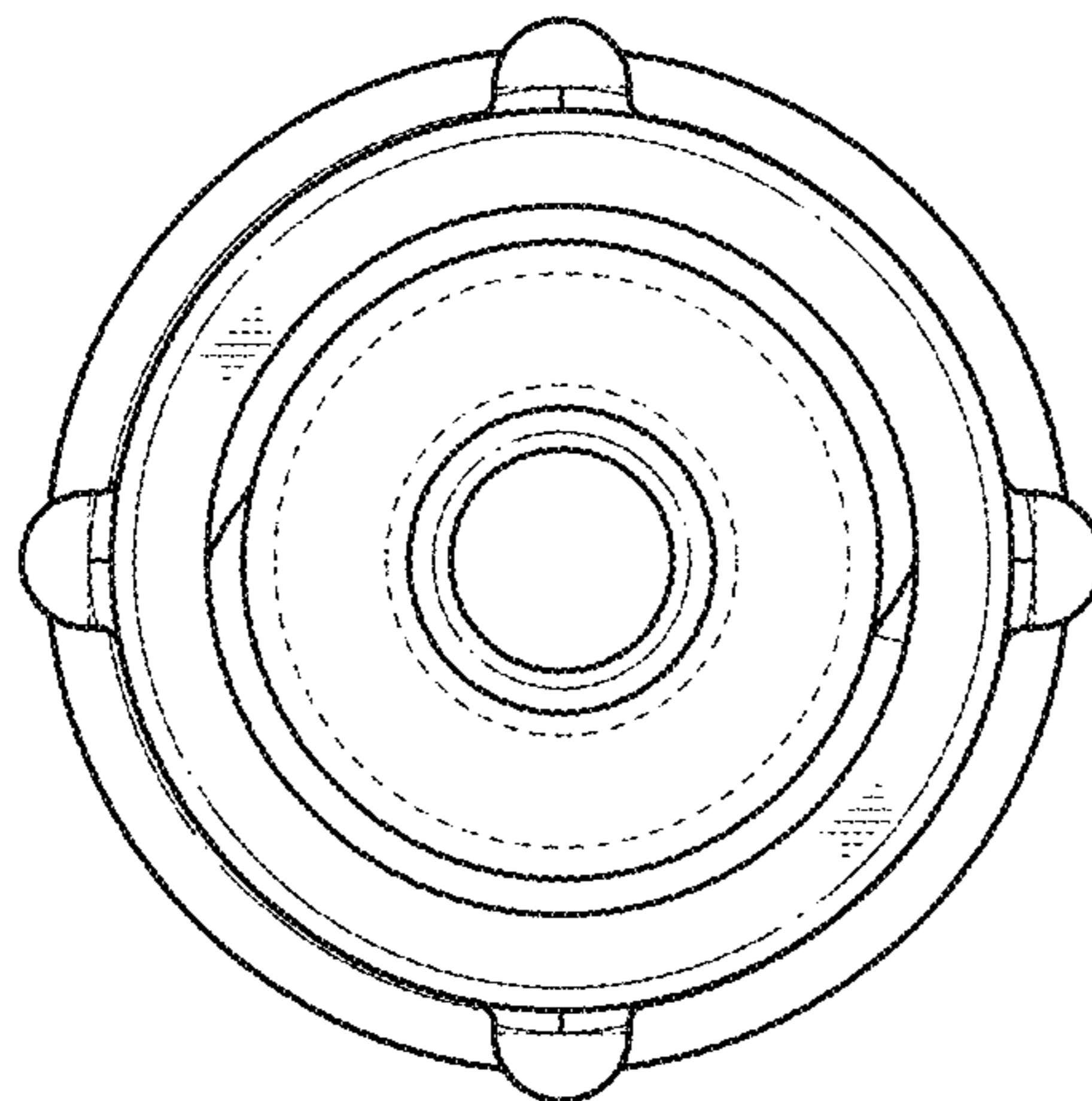


FIG. 11