



US00D865950S

(12) **United States Design Patent** (10) **Patent No.:** **US D865,950 S**
Mandaroux et al. (45) **Date of Patent:** **** Nov. 5, 2019**

(54) **SYRINGE DEVICE**
(71) Applicant: **Allergan, Inc.**, Irvine, CA (US)
(72) Inventors: **Bastien Mandaroux**, Metz-Tessy (FR);
Shushuo Wu, Thousand Oaks, CA
(US); **Lance Hussey**, Thousand Oaks,
CA (US)

2,551,902 A 5/1951 Rieck
2,737,946 A 3/1956 Hein, Jr.
2,853,070 A 9/1958 Julliard
3,086,530 A 4/1963 Groom
3,161,323 A 12/1964 Bent
D202,754 S 11/1965 Fnftolin
D214,112 S 5/1969 Langdon

(Continued)

FOREIGN PATENT DOCUMENTS

CN 2535071 2/2003
CN 200960353 10/2007

(Continued)

OTHER PUBLICATIONS

Bleyer, "SIS Facial Implant 510(k) Summary," Cook Biotech Inc.,
May 2005, 1 page.

(Continued)

Related U.S. Application Data

(62) Division of application No. 29/598,422, filed on Mar.
24, 2017.
(51) **LOC (12) Cl.** **24-02**
(52) **U.S. Cl.**
USPC **D24/114**
(58) **Field of Classification Search**
USPC D24/112-114, 108, 133, 130, 127, 186;
606/181, 185; 604/264, 272, 187, 181,
604/184, 227
CPC A61M 5/178; A61M 3/00; A61M 5/20;
A61M 5/31; A61M 5/3146; A61M
5/3129; A61M 5/3148; A61M 5/315
See application file for complete search history.

Primary Examiner — David G Muller
(74) *Attorney, Agent, or Firm* — Nathan S. Smith;
Morgan, Lewis & Bockius LLP

(57) **CLAIM**

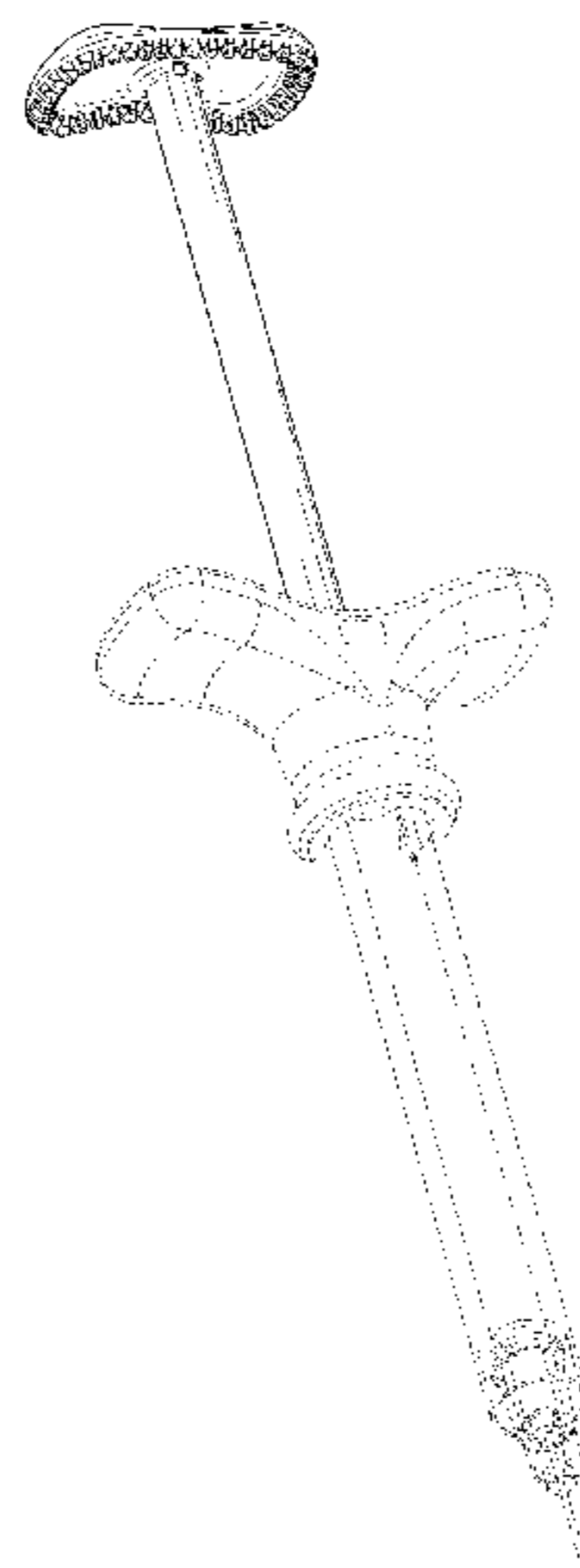
The ornamental design for a syringe device, as shown and
described.

DESCRIPTION

FIG. 1 is a front, top perspective view of a syringe device;
FIG. 2 is a right side view of the syringe device of FIG. 1;
FIG. 3 is a left side view of the syringe device of FIG. 1;
FIG. 4 is a top plan view of the syringe device of FIG. 1;
FIG. 5 is a bottom plan view of the syringe device of FIG.
1;
FIG. 6 is a rear side view of the syringe device of FIG. 1;
and,
FIG. 7 is a front side view of the syringe device of FIG. 1.
The broken lines shown in the figures are included for the
purpose of illustration and form no part of the claimed
design.

1 Claim, 4 Drawing Sheets

(56) **References Cited**
U.S. PATENT DOCUMENTS
1,250,114 A 12/1917 Bigelow et al.
1,558,037 A 10/1925 Morton
1,591,021 A 7/1926 Davis
2,007,140 A 7/1935 Ragnar
2,302,986 A 11/1942 Vollrath
2,491,978 A 12/1949 Helfman



(56)

References Cited

U.S. PATENT DOCUMENTS

3,517,668 A	6/1970	Brickson	6,171,276 B1	1/2001	Lippe	
3,595,231 A	7/1971	Pistor	6,183,434 B1	2/2001	Eppstein	
D224,066 S	6/1972	McDonald	D441,077 S	4/2001	Garito et al.	
3,720,211 A	3/1973	Kyrias	6,231,552 B1	5/2001	Jentzen	
3,767,085 A	10/1973	Cannon et al.	6,231,570 B1	5/2001	Tu et al.	
3,807,048 A	4/1974	Malmin	6,283,951 B1	9/2001	Flaherty et al.	
3,910,282 A	10/1975	Messer et al.	6,293,925 B1	9/2001	Safabash et al.	
3,916,777 A	11/1975	Earl	D449,379 S *	10/2001	Fuhr	D24/133
4,064,879 A	12/1977	Leibinsohn	6,303,518 B1	10/2001	Aceti	
4,240,423 A	12/1980	Akhavi	6,312,412 B1	11/2001	Saied	
4,240,426 A	12/1980	Akhavi	6,432,046 B1	8/2002	Yarush et al.	
4,273,122 A	6/1981	Whitney et al.	6,451,240 B1	9/2002	Sherman et al.	
4,326,517 A	4/1982	Whitney et al.	6,482,187 B1	11/2002	Gibbs	
4,346,708 A	8/1982	Leeven	6,488,651 B1	12/2002	Morris	
4,444,560 A	4/1984	Jacklich	6,551,290 B1	4/2003	Elsberry et al.	
4,529,401 A	7/1985	Leslie et al.	6,595,960 B2	7/2003	West et al.	
4,617,016 A	10/1986	Blomberg	6,607,512 B2	8/2003	Oliver	
4,624,659 A	11/1986	Goldberg	6,607,513 B1	8/2003	Down	
4,671,255 A	6/1987	Dubrul et al.	6,611,707 B1	8/2003	Prausnitz et al.	
4,695,273 A	9/1987	Brown	6,613,010 B2	9/2003	Castellano	
4,699,612 A	10/1987	Hamacher	6,616,448 B2	9/2003	Friedman	
4,710,172 A	12/1987	Jacklich	D483,116 S *	12/2003	Castellano	D24/112
4,719,918 A	1/1988	Bonomo et al.	6,689,095 B1	2/2004	Garitano et al.	
4,755,169 A	7/1988	Samoff	6,689,103 B1	2/2004	Palasis	
4,759,750 A	7/1988	Devries	6,780,171 B2	8/2004	Gabel	
4,800,901 A	1/1989	Rosenberg	6,783,514 B2	8/2004	Tovey et al.	
4,832,692 A	5/1989	Box	6,824,526 B2	11/2004	Castellano	
4,841,948 A	6/1989	Bauser et al.	6,896,666 B2	5/2005	Kochamba	
4,841,992 A	6/1989	Sasaki et al.	6,901,850 B2	6/2005	Corominas	
4,846,886 A	7/1989	Fey et al.	6,908,453 B2	6/2005	Fleming	
D303,010 S	8/1989	Jabbusch	6,936,297 B2	8/2005	Roby et al.	
4,869,717 A	9/1989	Adair	6,945,952 B2	9/2005	Kwon	
4,908,029 A	3/1990	Bark et al.	7,004,928 B2	2/2006	Aceti	
4,955,905 A	9/1990	Reed	7,018,356 B2	3/2006	Wise et al.	
4,957,744 A	9/1990	dellaValle et al.	7,033,337 B2	4/2006	Hjertman	
5,024,656 A	6/1991	Gasaway et al.	7,041,088 B2	5/2006	Nawrocki et al.	
5,046,506 A	9/1991	Singer	7,047,070 B2	5/2006	Wilkinson et al.	
5,066,303 A	11/1991	Bark et al.	7,048,729 B2	5/2006	Meglin et al.	
5,092,348 A	3/1992	Dubrul et al.	7,097,631 B2	8/2006	Trautman	
5,100,390 A	3/1992	Lubeck et al.	7,108,681 B2	9/2006	Gartstein	
5,104,375 A	3/1992	Lubeck et al.	7,115,108 B2	10/2006	Wilkinson et al.	
5,116,358 A	5/1992	Granger et al.	7,150,726 B2	12/2006	Dalton	
5,127,436 A	7/1992	Campion et al.	D543,278 S *	5/2007	Numata	D24/114
5,141,496 A	8/1992	Dalto et al.	D557,337 S *	12/2007	Isaacs	D19/149
5,211,644 A	5/1993	VanBeek et al.	7,302,885 B2	12/2007	Townsend	
5,258,013 A	11/1993	Granger et al.	7,361,163 B2	4/2008	Cohen	
5,270,685 A	12/1993	Hagen	D576,276 S *	9/2008	Osyepka	D24/130
5,279,544 A	1/1994	Gross	7,419,472 B2	9/2008	Hibner et al.	
5,295,980 A	3/1994	Ersek	7,442,187 B2	10/2008	Khayal et al.	
5,305,788 A	4/1994	Mayeux	D585,983 S *	2/2009	Wang	D24/114
5,318,544 A	6/1994	Drypen	7,494,473 B2	2/2009	Eggers et al.	
5,322,511 A	6/1994	Armbruster et al.	7,504,386 B2	3/2009	Pressato et al.	
5,344,407 A	9/1994	Ryan	7,556,615 B2	7/2009	Pettis et al.	
5,354,279 A	10/1994	Hofling	7,559,952 B2	7/2009	Pinchuck	
5,368,572 A	11/1994	Shirota	7,588,547 B2	9/2009	Deem	
5,383,851 A	1/1995	Mackinnon, Jr.	7,611,495 B1	11/2009	Gianturco	
5,405,330 A	4/1995	Zunitch et al.	D608,886 S *	1/2010	Rueckert	D24/130
5,433,352 A	7/1995	Ronvig	7,651,475 B2	1/2010	Angel	
5,478,327 A	12/1995	McGregor et al.	7,662,110 B2	2/2010	Flaherty	
5,540,657 A	7/1996	Kurjan	7,664,545 B2	2/2010	Westersten et al.	
5,549,672 A	8/1996	Maddock et al.	7,666,339 B2	2/2010	Chaouk et al.	
5,611,809 A	3/1997	Marshall et al.	D615,192 S	5/2010	Mudd et al.	
D378,939 S	4/1997	Smith et al.	7,722,582 B2	5/2010	Lina et al.	
5,690,618 A	11/1997	Smith et al.	7,762,983 B2	7/2010	Arnissolle	
5,752,970 A	5/1998	Yoon	7,850,656 B2	12/2010	McKay et al.	
5,807,340 A	9/1998	Pokras	7,850,683 B2	12/2010	Elkins	
5,817,033 A	10/1998	DeSantis	7,878,981 B2	2/2011	Strother et al.	
5,824,335 A	10/1998	Dorigatti et al.	7,896,837 B2	3/2011	Wilkinson et al.	
5,846,225 A	12/1998	Rosengart et al.	D637,287 S	5/2011	Mudd et al.	
5,941,845 A	8/1999	Tu et al.	7,998,170 B2	8/2011	Cunningham	
5,964,737 A	10/1999	Caizza	8,012,139 B2	9/2011	McKay et al.	
D424,194 S	5/2000	Holdaway et al.	8,029,460 B2	10/2011	Rush et al.	
6,077,251 A	6/2000	Ting et al.	8,066,629 B2	11/2011	Dlugos	
6,102,929 A	8/2000	Conway et al.	8,083,722 B2	12/2011	McKay et al.	
6,159,233 A	12/2000	Matsuzawa	8,088,108 B2	1/2012	Kraft	
			8,157,830 B2	4/2012	Wenchell	
			8,172,815 B2	5/2012	Down et al.	
			8,216,190 B2	7/2012	Gartstein	
			8,236,021 B2	8/2012	Kluge	

(56)

References Cited**U.S. PATENT DOCUMENTS**

8,291,768	B2	10/2012	Spiegel	2006/0079765	A1	4/2006	Neer
8,303,518	B2	11/2012	Aceti	2006/0089594	A1	4/2006	Landau
8,303,545	B2	11/2012	Schraga	2006/0150742	A1	7/2006	Esnouf
D674,086	S *	1/2013	Khalaj D24/114	2007/0038181	A1	2/2007	Melamud
8,343,132	B2	1/2013	Heneveld et al.	2007/0083155	A1	4/2007	Muller
8,349,554	B2	1/2013	Bahrami et al.	2007/0085767	A1	4/2007	Jung et al.
8,353,871	B2	1/2013	Zimmerman	2007/0100363	A1	5/2007	Dollar et al.
8,366,643	B2	2/2013	Deem	2007/0167920	A1	7/2007	Hommann
8,394,118	B2	3/2013	Jones et al.	2007/0212385	A1	9/2007	David
8,409,147	B2	4/2013	Kraft	2007/0250010	A1	10/2007	Hohlfelder et al.
8,409,185	B2	4/2013	Burger	2007/0270710	A1	11/2007	Frass et al.
8,480,630	B2	7/2013	Mudd et al.	2008/0015522	A1	1/2008	Yeshurun
8,535,278	B2	9/2013	Mudd et al.	2008/0033347	A1	2/2008	D'Arrigo et al.
8,562,571	B2	10/2013	Mudd et al.	2008/0058706	A1	3/2008	Zhang
8,603,028	B2	12/2013	Mudd et al.	2008/0058839	A1	3/2008	Nobles
8,632,501	B2	1/2014	Kraft	2008/0071385	A1	3/2008	Binette et al.
8,636,797	B2	1/2014	Chitre et al.	2008/0097325	A1	4/2008	Tanaka et al.
8,657,786	B2	2/2014	Bahrami et al.	2008/0108952	A1	5/2008	Horvath et al.
8,668,675	B2	3/2014	Chase	2008/0114305	A1	5/2008	Gerondale
8,708,965	B2	4/2014	Boyden	2008/0119797	A1	5/2008	Kim
8,712,815	B1	4/2014	Nichols et al.	2008/0119876	A1	5/2008	Price et al.
8,821,446	B2	9/2014	Trautman	2008/0161772	A1	7/2008	Nayak
8,900,181	B2	12/2014	Knowlton	2008/0167674	A1	7/2008	Bodduluri et al.
8,900,186	B2	12/2014	Pettis et al.	2008/0188816	A1	8/2008	Shimazaki
D721,803	S *	1/2015	Dubach D24/114	2008/0200758	A1	8/2008	Orbay et al.
8,939,959	B2 *	1/2015	Baney A61M 5/31595 604/506	2008/0281278	A1	11/2008	Williams
8,945,060	B2	2/2015	Bunch	2009/0088703	A1	4/2009	Azar
9,017,289	B2	4/2015	Backes	2009/0124996	A1	5/2009	Heneveld et al.
9,017,318	B2	4/2015	Fourkas	2009/0125050	A1	5/2009	Dixon
9,039,688	B2	5/2015	Palmer, III	2009/0143746	A1	6/2009	Mudd et al.
9,066,712	B2	6/2015	Fourkas	2009/0187118	A1	7/2009	Kim
9,072,498	B2	7/2015	Elkins	2009/0234322	A1	9/2009	Fischer
9,101,346	B2	8/2015	Burger	2009/0240200	A1	9/2009	Heneveld et al.
9,113,855	B2	8/2015	Burger	2009/0247953	A1	10/2009	Yeshurun
D741,476	S *	10/2015	Hiraoka D24/114	2009/0259180	A1	10/2009	Choi
9,149,331	B2	10/2015	Deem	2009/0275917	A1	11/2009	Azar
9,155,584	B2	10/2015	Fourkas	2009/0287161	A1	11/2009	Traub
9,180,273	B2	11/2015	Konstantino	2009/0299328	A1	12/2009	Mudd et al.
9,214,030	B2	12/2015	Sole et al.	2010/0006095	A1	1/2010	Woodcock
9,227,023	B2	1/2016	Kraft	2010/0030152	A1	2/2010	Lee et al.
9,241,753	B2	1/2016	Fourkas	2010/0069848	A1	3/2010	Alferness
9,254,162	B2	2/2016	Burger	2010/0100114	A1	4/2010	Berger
9,289,605	B2	3/2016	Choi	2010/0121307	A1	5/2010	Lockard
9,314,568	B2	4/2016	Gurtner et al.	2010/0152675	A1	6/2010	McClintock
9,468,748	B2	10/2016	Bang	2010/0152679	A1	6/2010	Tezel
D789,520	S *	6/2017	Tseng D24/114	2010/0179488	A1	7/2010	Spiegel
D792,969	S *	7/2017	Taylor D24/130	2010/0256594	A1	10/2010	Kimmell
2001/0008937	A1	7/2001	Callegaro et al.	2010/0256596	A1	10/2010	Chomas
2002/0010433	A1	1/2002	Johnson	2010/0280488	A1	11/2010	Pruitt et al.
2002/0026039	A1	2/2002	Bellini et al.	2010/0282774	A1	11/2010	Greter et al.
2002/0065483	A1	5/2002	Leon	2010/0286618	A1	11/2010	Choi
2002/0133114	A1	9/2002	Itoh	2011/0009808	A1	1/2011	AlGhamdi
2002/0151843	A1	10/2002	Correa et al.	2011/0021905	A1	1/2011	Patrick et al.
2003/0028154	A1	2/2003	Ros	2011/0028910	A1	2/2011	Weber
2003/0050602	A1	3/2003	Pettis et al.	2011/0092916	A1	4/2011	Tezel et al.
2003/0078912	A1	4/2003	Oliver	2011/0137286	A1	6/2011	Mudd et al.
2003/0144632	A1	7/2003	Hommann et al.	2011/0152926	A1	6/2011	Vetrecin
2003/0181863	A1	9/2003	Ackley	2011/0160674	A1	6/2011	Holmes et al.
2003/0199883	A1	10/2003	Laks	2011/0172645	A1	7/2011	Moga
2004/0010224	A1	1/2004	Bodmeier	2011/0190974	A1	8/2011	Holmes et al.
2004/0015133	A1	1/2004	Karim	2011/0202014	A1	8/2011	Mutzbauer
2004/0092927	A1	5/2004	Podhajsky et al.	2011/0218494	A1	9/2011	Assaf
2004/0147883	A1	7/2004	Tsai	2011/0218497	A1	9/2011	Assaf
2004/0192643	A1	9/2004	Pressato et al.	2011/0230839	A1	9/2011	Bahrami et al.
2004/0220532	A1	11/2004	Caizza	2011/0238038	A1	9/2011	Sefi
2005/0033362	A1	2/2005	Grafton	2011/0263724	A1	10/2011	Gurtner
2005/0085767	A1	4/2005	Menassa	2011/0319865	A1	12/2011	Buss
2005/0131353	A1	6/2005	Mossanen-Shams et al.	2012/0041374	A1	2/2012	Lee
2005/0137496	A1	7/2005	Walsh et al.	2012/0089211	A1	4/2012	Curtis
2005/0177117	A1	8/2005	Crocker et al.	2012/0101475	A1	4/2012	Wilmot
2005/0182446	A1	8/2005	DeSantis	2012/0123194	A1	5/2012	Beckman
2005/0215956	A1	9/2005	Nerney	2012/0123537	A1	5/2012	Manesis et al.
2005/0261633	A1	11/2005	Khalaj	2012/0141532	A1	6/2012	Blanda et al.
2006/0041320	A1	2/2006	Matsuda	2012/0150266	A1	6/2012	Shalev
				2012/0245629	A1	9/2012	Gross et al.
				2012/0259322	A1	10/2012	Fourkas
				2012/0265064	A1	10/2012	Bahrami et al.
				2012/0265171	A1	10/2012	Thorne
				2012/0296206	A1	11/2012	Bahrami et al.

(56)

References Cited

U.S. PATENT DOCUMENTS

2013/0012865 A1 1/2013 Sallberg et al.
 2013/0041346 A1 2/2013 Alon
 2013/0096531 A1 4/2013 Estepa et al.
 2013/0122068 A1 5/2013 Fermanian et al.
 2013/0131632 A1 5/2013 Mudd et al.
 2013/0131633 A1 5/2013 Mudd et al.
 2013/0150826 A1 6/2013 Almohizea
 2013/0184648 A1 7/2013 Inou et al.
 2013/0184696 A1 7/2013 Fourkas
 2013/0197446 A1 8/2013 Gustafsson
 2013/0197449 A1 8/2013 Franklin et al.
 2013/0211374 A1 8/2013 Hetherington
 2013/0253289 A1 9/2013 Hadvary
 2013/0274655 A1 10/2013 Jennings
 2013/0274670 A1 10/2013 Mudd et al.
 2013/0280755 A1 10/2013 Hubert
 2013/0310763 A1 11/2013 Mudd et al.
 2014/0018770 A1 1/2014 Sutkin
 2014/0018835 A1 1/2014 Scherkowski
 2014/0066845 A1 3/2014 Mudd et al.
 2014/0088502 A1 3/2014 Matheny et al.
 2014/0088553 A1 3/2014 Hetherington
 2014/0114279 A1 4/2014 Klinghoffer
 2014/0121587 A1 5/2014 Sallberg et al.
 2014/0128685 A1 5/2014 Na
 2014/0128810 A1 5/2014 Ozawa et al.
 2014/0162901 A1 6/2014 Bahrami et al.
 2014/0170299 A1 6/2014 Gill
 2014/0228950 A1 8/2014 Whitcup et al.
 2014/0228971 A1 8/2014 Kim
 2014/0249504 A1 9/2014 Franklin et al.
 2014/0257190 A1 9/2014 Yue et al.
 2014/0309590 A1 10/2014 Bahrami et al.
 2014/0343481 A1 11/2014 Ignon
 2014/0350514 A1 11/2014 Levin
 2014/0350516 A1 11/2014 Schwab
 2014/0350517 A1 11/2014 Dominguez
 2014/0350518 A1 11/2014 Franklin et al.
 2014/0350536 A1 11/2014 Allison
 2015/0025459 A1 1/2015 Kimmel
 2015/0025563 A1 1/2015 Mosharrafa et al.
 2015/0119875 A1 4/2015 Fischell et al.
 2015/0126929 A1 5/2015 Franklin et al.
 2015/0141956 A1 5/2015 Hoffman et al.
 2015/0157809 A1 6/2015 Park et al.
 2015/0209265 A1 7/2015 Horne
 2015/0343147 A1 12/2015 Franklin et al.
 2016/0007990 A1 1/2016 Solish et al.
 2016/0058488 A1 3/2016 Fourkas
 2016/0095984 A1 4/2016 Franklin et al.
 2016/0114144 A1 4/2016 Sumida
 2016/0144125 A1 5/2016 Franklin
 2016/0207253 A9 7/2016 Down et al.
 2016/0213854 A1 7/2016 Schwab et al.
 2016/0263358 A1 9/2016 Unger
 2016/0303314 A1 10/2016 Momose
 2017/0080154 A1 3/2017 Mudd et al.
 2017/0290987 A1 10/2017 Mandaroux et al.

FOREIGN PATENT DOCUMENTS

EP 0362484 4/1990
 EP 0205915 7/1990
 EP 0167662 12/1990
 EP 0648474 4/1995
 EP 0809968 12/1997
 EP 1051988 11/2000
 EP 1486218 12/2004
 EP 1395320 6/2006
 EP 1859827 11/2007
 EP 1923086 5/2008
 EP 2189173 5/2010
 EP 2335755 6/2011
 EP 2422832 2/2012
 EP 2103262 2/2013

EP 2184016 4/2013
 EP 2671516 12/2013
 FR 53011 9/1945
 FR 2622457 5/1989
 FR 2857654 1/2005
 GB 2336783 5/2003
 IN 209387 9/2007
 KR 20120007473 1/2012
 KR 101246570 3/2013
 KR 20130036921 4/2013
 KR 20130130436 12/2013
 KR 20130132196 12/2013
 KR 20140029007 3/2014
 RU 2286803 11/2006
 WO WO 90/001349 2/1990
 WO WO 92/013579 8/1992
 WO WO 94/012228 6/1994
 WO WO 96/025965 8/1996
 WO WO 97/028840 8/1997
 WO WO 99/048601 9/1999
 WO WO 01/00190 1/2001
 WO WO 02/055135 7/2002
 WO WO 2004/022603 3/2004
 WO WO 2005/095225 10/2005
 WO WO 2006/065837 6/2006
 WO WO 2008/086479 8/2006
 WO WO 2006/118804 11/2006
 WO WO 2006/133111 12/2006
 WO WO 2007/092929 8/2007
 WO WO 2008/019265 2/2008
 WO WO 2008/053481 5/2008
 WO WO 2008/072229 6/2008
 WO WO 2008/079824 7/2008
 WO WO 2008/148071 12/2008
 WO WO 2009/003135 12/2008
 WO WO 2009/035680 3/2009
 WO WO 2009/091099 7/2009
 WO WO 2009/098666 8/2009
 WO WO 2009/158145 12/2009
 WO WO 2010/028025 3/2010
 WO WO 2011/016785 2/2011
 WO WO 2011/073796 6/2011
 WO WO 2011/075731 6/2011
 WO WO 2011/109129 9/2011
 WO WO 2011/109130 9/2011
 WO WO 2012/054301 4/2012
 WO WO 2012/054311 4/2012
 WO WO 2012/127856 9/2012
 WO WO 2012/172424 12/2012
 WO WO 2013/005881 1/2013
 WO WO 2013/054165 4/2013
 WO WO 2013/055832 4/2013
 WO WO 2013/082112 6/2013
 WO WO 2013/106857 8/2013
 WO WO 2014/026044 2/2014
 WO WO 2014/034032 3/2014
 WO WO 2012/174464 5/2014
 WO WO 2014/064536 5/2014
 WO WO 2014/189161 11/2014
 WO WO 2015/007243 1/2015
 WO WO 2015/020982 2/2015
 WO WO 2013/065235 4/2015
 WO WO 2015/064031 5/2015
 WO WO 2015/105269 7/2015
 WO WO 2015/127339 8/2015
 WO WO 2015/149031 10/2015
 WO WO 2016/008845 1/2016
 WO WO 2016/022865 2/2016
 WO WO 2016/033584 3/2016
 WO WO 2016/033586 3/2016

OTHER PUBLICATIONS

Davidenko et al., "Collagen-hyaluronic acid scaffolds for adipose tissue engineering", ACTA Biomaterialia, vol. 6, No. 10, Oct. 1, 2010, pp. 3957-3968.
 Galderma, "New Restylane Skinboosters SmartClick delivery system wins prestigious Red Dot design award," Jul. 4, 2014, retrieved

(56)

References Cited

OTHER PUBLICATIONS

from <http://www.galderma.com/News/articleType/ArticleView/articleId/64/New-Restylane-Skinboosters-SmartClick-delivery-system-wins-prestigious-Red-Dot-design-award>.

Galderma, "Restylane Smart Click System Injection Device," Mar. 2015, retrieved from <http://www.red-dot-21.com/products/restylane-smart-click-system-injection-device-22169>.

Hamza et al., "A new external filling device in tissue expansion," *Plastic and Reconstructive Surgery*, Mar. 1998, vol. 101, No. 3, pp. 813-815.

Indian Patent Application No. 190/CHE/2002, filed Mar. 20, 2002, entitled A Subcutaneous Tissue Expander, 5 pages.

Indian Patent Application No. IN2012KO01267 for Tissue Expander, Feb. 8, 2017, 7 pages.

International Search Report from PCT/US2016/021838, dated May 17, 2016, 3 pages.

International Search Report and Written Opinion from PCT/US2009/045831, dated Feb. 24, 2010, 14 pages.

International Search Report and Written Opinion from PCT/US2014/039265, dated Nov. 18, 2014, 18 pages.

International Search Report and Written Opinion from PCT/US2014/039266, dated Aug. 26, 2014, 13 pages.

Park et al., "Biological characterization of EDC-crosslinked collagen-hyaluronic acid matrix in dermal tissue restoration", *Biomaterials*, Elsevier Science Publishers BV, vol. 24, No. 9, Apr. 1, 2003, pp. 1631-1641.

Prime Journal, "Galderma to launch two new syringes at AMWC 2014," Mar. 2014, 4 pages.

Turtlepin, "The Painless Direct Dermal Injector" Product Information, JM Biotech Co Ltd, 2013, 18 pages.

Wang et al., "In vivo stimulation of de novo collagen production caused by cross-linked hyaluronic acid dermal filler injections in photodamaged human skin.", *Archives of Dermatology*, American Medical Association, US, vol. 143, No. 2, Feb. 1, 2007, pp. 155-163.

* cited by examiner

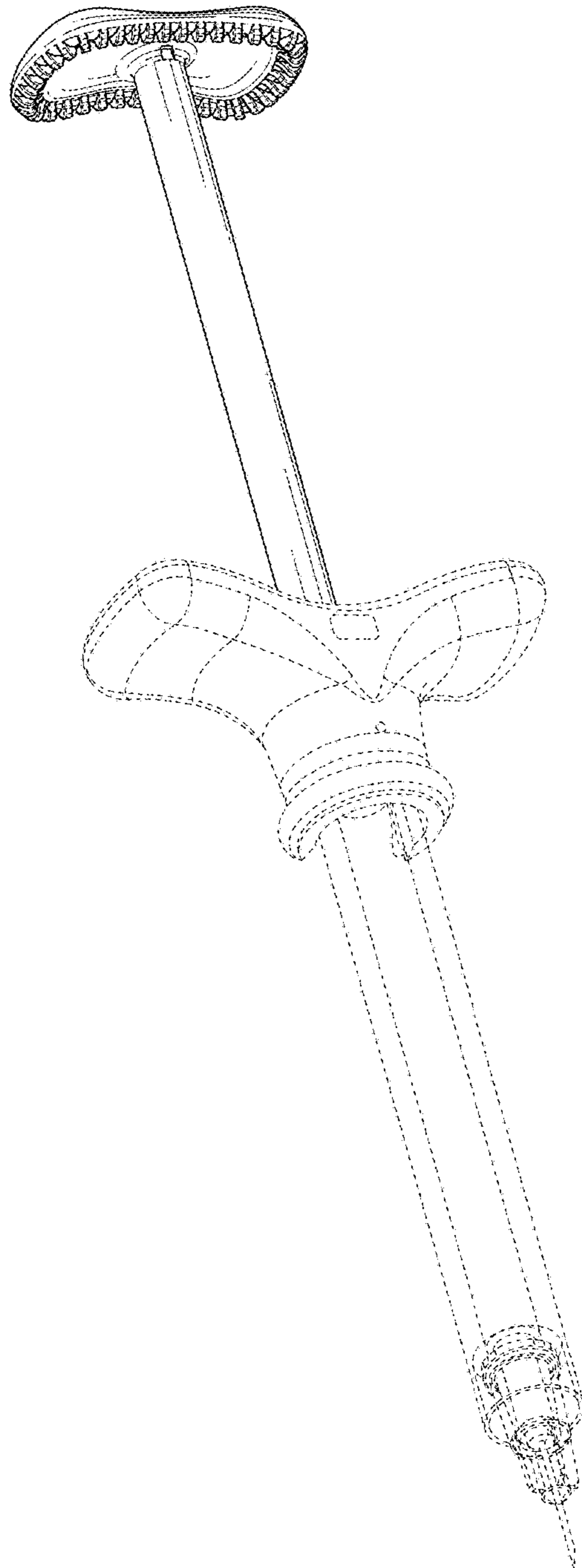


FIG. 1

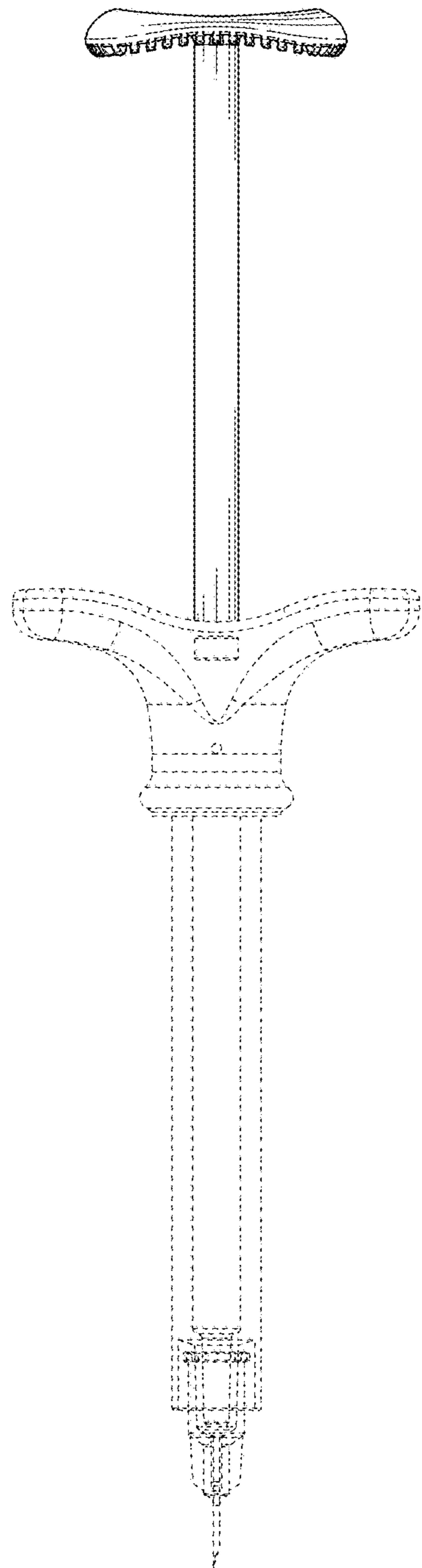


FIG. 2

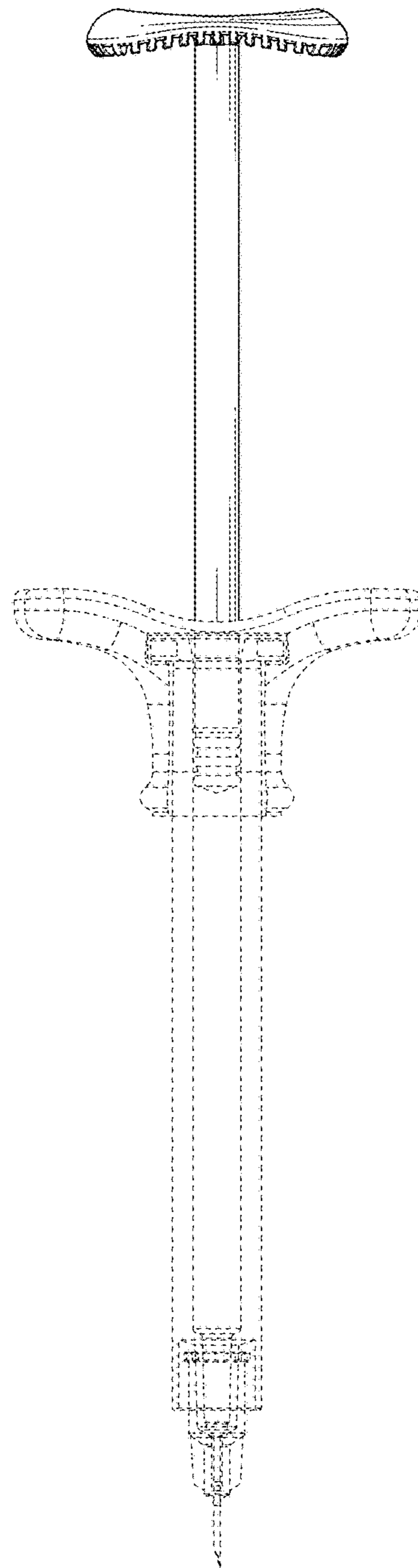


FIG. 3

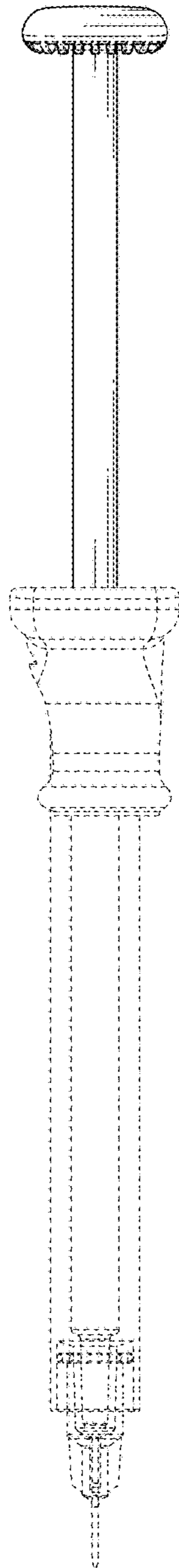


FIG. 4

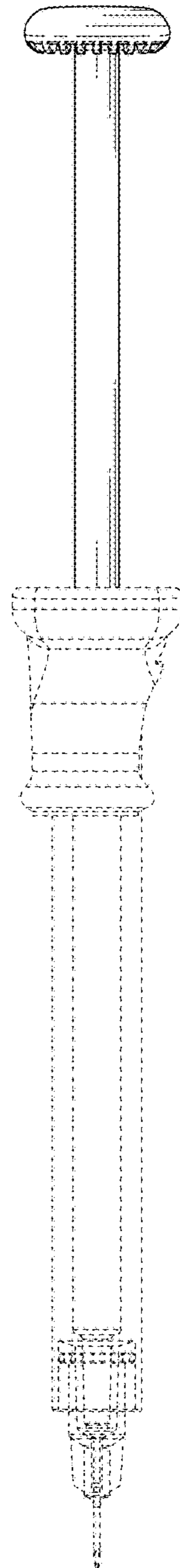


FIG. 5

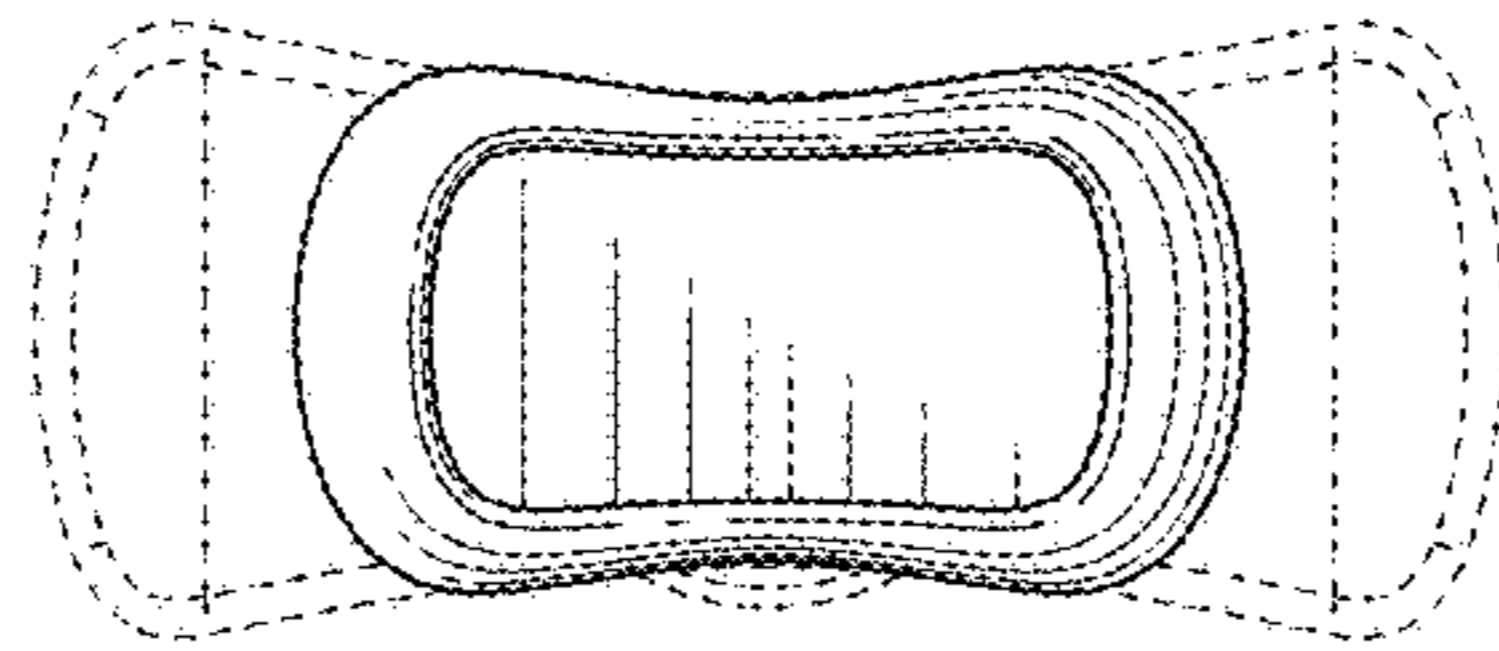


FIG. 6

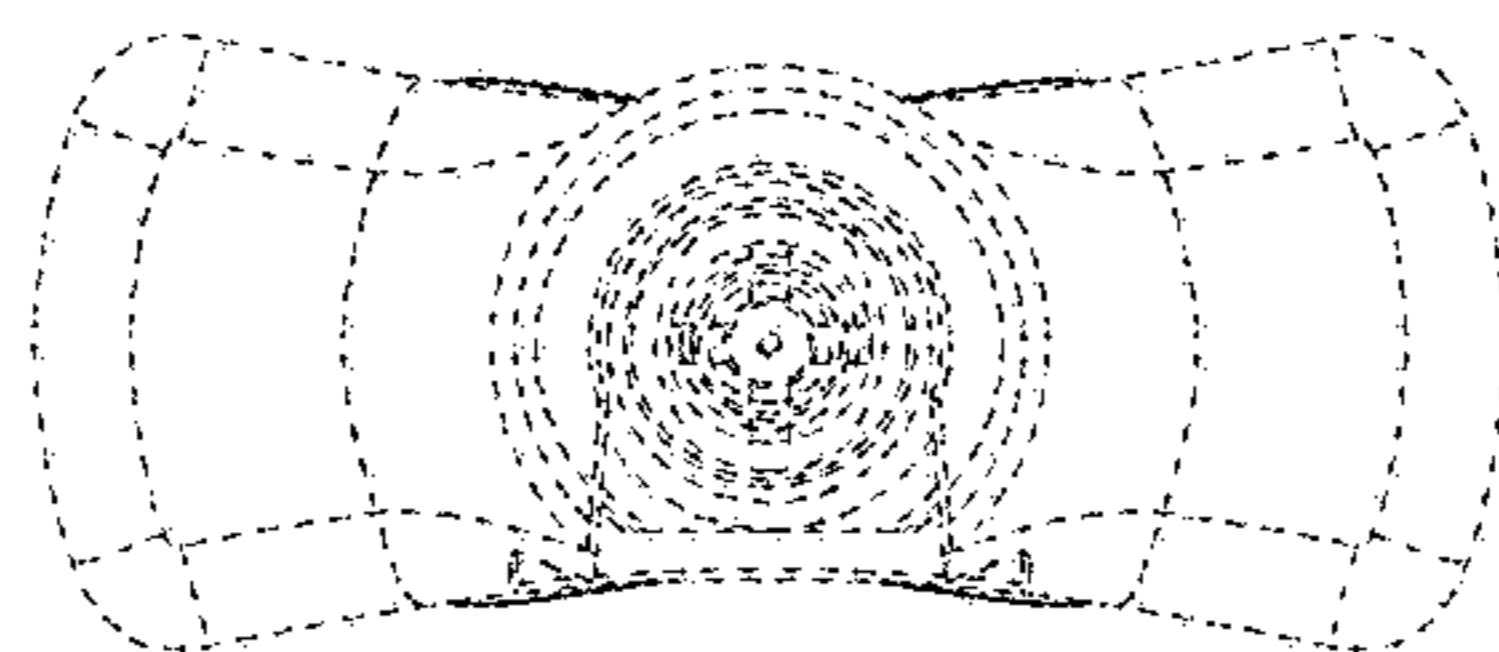


FIG. 7