



US00D865949S

(12) **United States Design Patent** (10) **Patent No.:** **US D865,949 S**  
**Mandaroux et al.** (45) **Date of Patent:** **\*\* Nov. 5, 2019**

(54) **SYRINGE DEVICE**  
(71) Applicant: **Allergan, Inc.**, Irvine, CA (US)  
(72) Inventors: **Bastien Mandaroux**, Metz-Tessy (FR);  
**Shushuo Wu**, Thousand Oaks, CA  
(US); **Lance Hussey**, Thousand Oaks,  
CA (US)

2,551,902 A 5/1951 Rieck  
2,737,946 A 3/1956 Hein, Jr.  
2,853,070 A 9/1958 Julliard  
3,086,530 A 4/1963 Groom  
3,161,323 A 12/1964 Bent  
D202,754 S 11/1965 Fnftolin

(Continued)

FOREIGN PATENT DOCUMENTS

CN 2535071 2/2003  
CN 200960353 10/2007

(Continued)

(73) Assignee: **Allergan, Inc.**, Irvine, CA (US)

(\*\*) Term: **15 Years**

(21) Appl. No.: **29/689,643**

(22) Filed: **Apr. 30, 2019**

OTHER PUBLICATIONS

Bleyer, "SIS Facial Implant 510(k) Summary," Cook Biotech Inc.,  
May 2005, 1 page.

(Continued)

**Related U.S. Application Data**

(62) Division of application No. 29/598,422, filed on Mar.  
24, 2017.

(51) **LOC (12) Cl.** ..... **24-02**

(52) **U.S. Cl.**  
USPC ..... **D24/114**

(58) **Field of Classification Search**  
USPC ..... D24/112-114, 108, 133, 130, 127, 186;  
606/181, 185; 604/264, 272, 187, 181,  
604/184, 227

CPC ..... A61M 5/178; A61M 3/00; A61M 5/20;  
A61M 5/31; A61M 5/3146; A61M  
5/3129; A61M 5/3148; A61M 5/315

See application file for complete search history.

*Primary Examiner* — David G Muller

(74) *Attorney, Agent, or Firm* — Nathan S. Smith;  
Morgan, Lewis & Bockius LLP

(57) **CLAIM**

The ornamental design for a syringe device, as shown and  
described.

**DESCRIPTION**

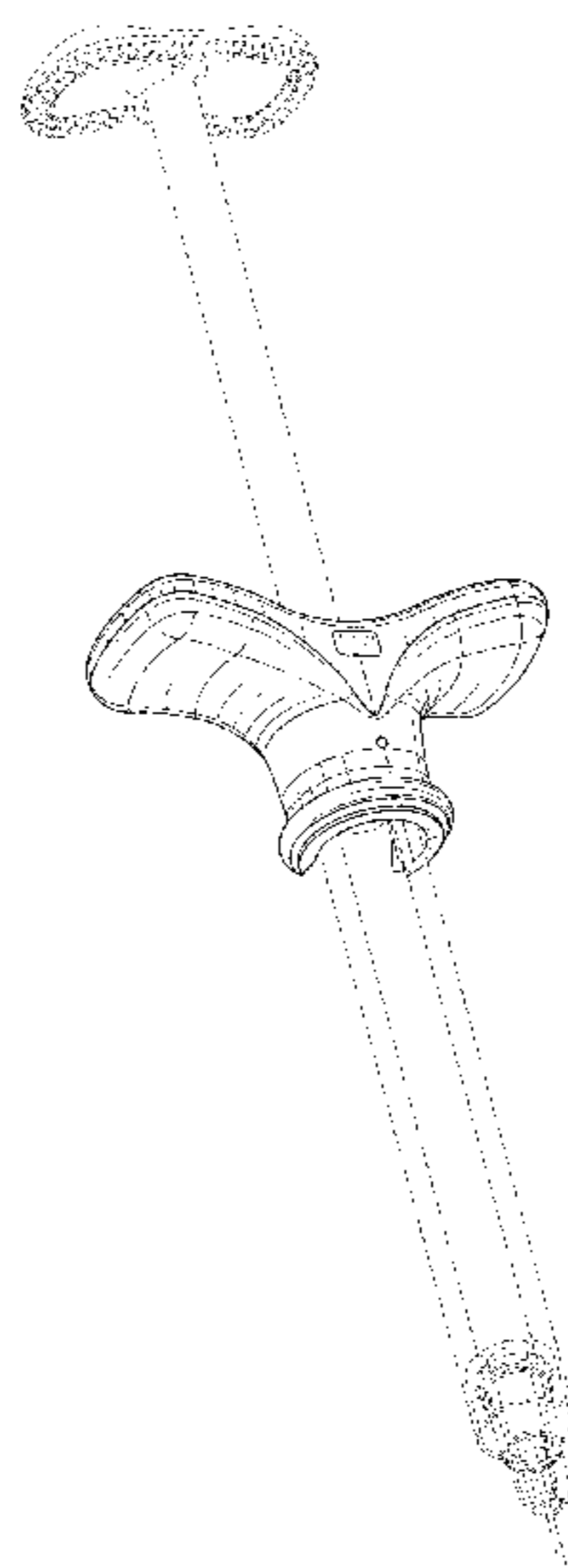
FIG. 1 is a front, top perspective view of a syringe device;  
FIG. 2 is a right side view of the syringe device of FIG. 1;  
FIG. 3 is a left side view of the syringe device of FIG. 1;  
FIG. 4 is a top plan view of the syringe device of FIG. 1;  
FIG. 5 is a bottom plan view of the syringe device of FIG.  
1;  
FIG. 6 is a rear side view of the syringe device of FIG. 1;  
and,  
FIG. 7 is a front side view of the syringe device of FIG. 1.  
The broken lines shown in the figures are included for the  
purpose of illustration and form no part of the claimed  
design.

(56) **References Cited**

U.S. PATENT DOCUMENTS

1,250,114 A 12/1917 Bigelow et al.  
1,558,037 A 10/1925 Morton  
1,591,021 A 7/1926 Davis  
2,007,140 A 7/1935 Ragnar  
2,302,986 A 11/1942 Vollrath  
2,491,978 A 12/1949 Helfman

**1 Claim, 4 Drawing Sheets**



(56)

References Cited

U.S. PATENT DOCUMENTS

D214,112 S	5/1969	Langdon	6,159,233 A	12/2000	Matsuzawa	
3,517,668 A	6/1970	Brickson	6,171,276 B1	1/2001	Lippe	
3,595,231 A	7/1971	Pistor	6,183,434 B1	2/2001	Eppstein	
D224,066 S	6/1972	McDonald	D441,077 S	4/2001	Garito et al.	
3,720,211 A	3/1973	Kyrias	6,231,552 B1	5/2001	Jentzen	
3,767,085 A	10/1973	Cannon et al.	6,231,570 B1	5/2001	Tu et al.	
3,807,048 A	4/1974	Malmin	6,283,951 B1	9/2001	Flaherty et al.	
3,910,282 A	10/1975	Messer et al.	6,293,925 B1	9/2001	Safabash et al.	
3,916,777 A	11/1975	Earl	D449,379 S *	10/2001	Fuhr .....	D24/133
4,064,879 A	12/1977	Leibinsohn	6,303,518 B1	10/2001	Aceti	
4,240,423 A	12/1980	Akhavi	6,312,412 B1	11/2001	Saied	
4,240,426 A	12/1980	Akhavi	6,432,046 B1	8/2002	Yarush et al.	
4,273,122 A	6/1981	Whitney et al.	6,451,240 B1	9/2002	Sherman et al.	
4,326,517 A	4/1982	Whitney et al.	6,482,187 B1	11/2002	Gibbs	
4,346,708 A	8/1982	Leeven	6,488,651 B1	12/2002	Morris	
4,444,560 A	4/1984	Jacklich	6,551,290 B1	4/2003	Elsberry et al.	
4,529,401 A	7/1985	Leslie et al.	6,595,960 B2	7/2003	West et al.	
4,617,016 A	10/1986	Blomberg	6,607,512 B2	8/2003	Oliver	
4,624,659 A	11/1986	Goldberg	6,607,513 B1	8/2003	Down	
4,671,255 A	6/1987	Dubrul et al.	6,611,707 B1	8/2003	Prausnitz et al.	
4,695,273 A	9/1987	Brown	6,613,010 B2	9/2003	Castellano	
4,699,612 A	10/1987	Hamacher	6,616,448 B2	9/2003	Friedman	
4,710,172 A	12/1987	Jacklich	D483,116 S *	12/2003	Castellano .....	D24/112
4,719,918 A	1/1988	Bonomo et al.	6,689,095 B1	2/2004	Garitano et al.	
4,755,169 A	7/1988	Samoff	6,689,103 B1	2/2004	Palasis	
4,759,750 A	7/1988	Devries	6,780,171 B2	8/2004	Gabel	
4,800,901 A	1/1989	Rosenberg	6,783,514 B2	8/2004	Tovey et al.	
4,832,692 A	5/1989	Box	6,824,526 B2	11/2004	Castellano	
4,841,948 A	6/1989	Bauser et al.	6,896,666 B2	5/2005	Kochamba	
4,841,992 A	6/1989	Sasaki et al.	6,901,850 B2	6/2005	Corominas	
4,846,886 A	7/1989	Fey et al.	6,908,453 B2	6/2005	Fleming	
D303,010 S	8/1989	Jabbusch	6,936,297 B2	8/2005	Roby et al.	
4,869,717 A	9/1989	Adair	6,945,952 B2	9/2005	Kwon	
4,908,029 A	3/1990	Bark et al.	7,004,928 B2	2/2006	Aceti	
4,955,905 A	9/1990	Reed	7,018,356 B2	3/2006	Wise et al.	
4,957,744 A	9/1990	dellaValle et al.	7,033,337 B2	4/2006	Hjertman	
5,024,656 A	6/1991	Gasaway et al.	7,041,088 B2	5/2006	Nawrocki et al.	
5,046,506 A	9/1991	Singer	7,047,070 B2	5/2006	Wilkinson et al.	
5,066,303 A	11/1991	Bark et al.	7,048,729 B2	5/2006	Meglin et al.	
5,092,348 A	3/1992	Dubrul et al.	7,097,631 B2	8/2006	Trautman	
5,100,390 A	3/1992	Lubeck et al.	7,108,681 B2	9/2006	Gartstein	
5,104,375 A	3/1992	Lubeck et al.	7,115,108 B2	10/2006	Wilkinson et al.	
5,116,358 A	5/1992	Granger et al.	7,150,726 B2	12/2006	Dalton	
5,127,436 A	7/1992	Campion et al.	D543,278 S *	5/2007	Numata .....	D24/114
5,141,496 A	8/1992	Dalto et al.	D557,337 S *	12/2007	Isaacs .....	D19/149
5,211,644 A	5/1993	VanBeek et al.	7,302,885 B2	12/2007	Townsend	
5,258,013 A	11/1993	Granger et al.	7,361,163 B2	4/2008	Cohen	
5,270,685 A	12/1993	Hagen	D576,276 S *	9/2008	Osypka .....	D24/130
5,279,544 A	1/1994	Gross	7,419,472 B2	9/2008	Hibner et al.	
5,295,980 A	3/1994	Ersek	7,442,187 B2	10/2008	Khayal et al.	
5,305,788 A	4/1994	Mayeux	D585,983 S *	2/2009	Wang .....	D24/114
5,318,544 A	6/1994	Drypen	7,494,473 B2	2/2009	Eggers et al.	
5,322,511 A	6/1994	Armbruster et al.	7,504,386 B2	3/2009	Pressato et al.	
5,344,407 A	9/1994	Ryan	7,556,615 B2	7/2009	Pettis et al.	
5,354,279 A	10/1994	Hofling	7,559,952 B2	7/2009	Pinchuck	
5,368,572 A	11/1994	Shirota	7,588,547 B2	9/2009	Deem	
5,383,851 A	1/1995	Mackinnon, Jr.	7,611,495 B1	11/2009	Gianturco	
5,405,330 A	4/1995	Zunitch et al.	D608,886 S *	1/2010	Rueckert .....	D24/130
5,433,352 A	7/1995	Ronvig	7,651,475 B2	1/2010	Angel	
5,478,327 A	12/1995	McGregor et al.	7,662,110 B2	2/2010	Flaherty	
5,540,657 A	7/1996	Kurjan	7,664,545 B2	2/2010	Westersten et al.	
5,549,672 A	8/1996	Maddock et al.	7,666,339 B2	2/2010	Chaouk et al.	
5,611,809 A	3/1997	Marshall et al.	D615,192 S	5/2010	Mudd et al.	
D378,939 S	4/1997	Smith et al.	7,722,582 B2	5/2010	Lina et al.	
5,690,618 A	11/1997	Smith et al.	7,762,983 B2	7/2010	Arnissolle	
5,752,970 A	5/1998	Yoon	7,850,656 B2	12/2010	McKay et al.	
5,807,340 A	9/1998	Pokras	7,850,683 B2	12/2010	Elkins	
5,817,033 A	10/1998	DeSantis	7,878,981 B2	2/2011	Strother et al.	
5,824,335 A	10/1998	Dorigatti et al.	7,896,837 B2	3/2011	Wilkinson et al.	
5,846,225 A	12/1998	Rosengart et al.	D637,287 S	5/2011	Mudd et al.	
5,941,845 A	8/1999	Tu et al.	7,998,170 B2	8/2011	Cunningham	
5,964,737 A	10/1999	Caizza	8,012,139 B2	9/2011	McKay et al.	
D424,194 S	5/2000	Holdaway et al.	8,029,460 B2	10/2011	Rush et al.	
6,077,251 A	6/2000	Ting et al.	8,066,629 B2	11/2011	Dlugos	
6,102,929 A	8/2000	Conway et al.	8,083,722 B2	12/2011	McKay et al.	
			8,088,108 B2	1/2012	Kraft	
			8,157,830 B2	4/2012	Wenchell	
			8,172,815 B2	5/2012	Down et al.	
			8,216,190 B2	7/2012	Gartstein	



(56)

References Cited

U.S. PATENT DOCUMENTS

8,236,021 B2	8/2012	Kluge	2006/0041320 A1	2/2006	Matsuda
8,291,768 B2	10/2012	Spiegel	2006/0079765 A1	4/2006	Neer
8,303,518 B2	11/2012	Aceti	2006/0089594 A1	4/2006	Landau
8,303,545 B2	11/2012	Schraga	2006/0150742 A1	7/2006	Esnouf
D674,086 S *	1/2013	Khalaj ..... D24/114	2007/0038181 A1	2/2007	Melamud
8,343,132 B2	1/2013	Heneveld et al.	2007/0083155 A1	4/2007	Muller
8,349,554 B2	1/2013	Bahrami et al.	2007/0085767 A1	4/2007	Jung et al.
8,353,871 B2	1/2013	Zimmerman	2007/0100363 A1	5/2007	Dollar et al.
8,366,643 B2	2/2013	Deem	2007/0167920 A1	7/2007	Hommann
8,394,118 B2	3/2013	Jones et al.	2007/0212385 A1	9/2007	David
8,409,147 B2	4/2013	Kraft	2007/0250010 A1	10/2007	Hohlfelder et al.
8,409,185 B2	4/2013	Burger	2007/0270710 A1	11/2007	Frass et al.
8,480,630 B2	7/2013	Mudd et al.	2008/0015522 A1	1/2008	Yeshurun
8,535,278 B2	9/2013	Mudd et al.	2008/0033347 A1	2/2008	D'Arrigo et al.
8,562,571 B2	10/2013	Mudd et al.	2008/0058706 A1	3/2008	Zhang
8,603,028 B2	12/2013	Mudd et al.	2008/0058839 A1	3/2008	Nobles
8,632,501 B2	1/2014	Kraft	2008/0071385 A1	3/2008	Binette et al.
8,636,797 B2	1/2014	Chitre et al.	2008/0097325 A1	4/2008	Tanaka et al.
8,657,786 B2	2/2014	Bahrami et al.	2008/0108952 A1	5/2008	Horvath et al.
8,668,675 B2	3/2014	Chase	2008/0114305 A1	5/2008	Gerondale
8,708,965 B2	4/2014	Boyden	2008/0119797 A1	5/2008	Kim
8,712,815 B1	4/2014	Nichols et al.	2008/0119876 A1	5/2008	Price et al.
8,821,446 B2	9/2014	Trautman	2008/0161772 A1	7/2008	Nayak
8,900,181 B2	12/2014	Knowlton	2008/0167674 A1	7/2008	Bodduluri et al.
8,900,186 B2	12/2014	Pettis et al.	2008/0188816 A1	8/2008	Shimazaki
D721,803 S *	1/2015	Dubach ..... D24/114	2008/0200758 A1	8/2008	Orbay et al.
8,939,959 B2 *	1/2015	Baney ..... A61M 5/31595 604/181	2008/0281278 A1	11/2008	Williams
8,945,060 B2	2/2015	Bunch	2009/0088703 A1	4/2009	Azar
9,017,289 B2	4/2015	Backes	2009/0124996 A1	5/2009	Heneveld et al.
9,017,318 B2	4/2015	Fourkas	2009/0125050 A1	5/2009	Dixon
9,039,688 B2	5/2015	Palmer, III	2009/0143746 A1	6/2009	Mudd et al.
9,066,712 B2	6/2015	Fourkas	2009/0187118 A1	7/2009	Kim
9,072,498 B2	7/2015	Elkins	2009/0234322 A1	9/2009	Fischer
9,101,346 B2	8/2015	Burger	2009/0240200 A1	9/2009	Heneveld et al.
9,113,855 B2	8/2015	Burger	2009/0247953 A1	10/2009	Yeshurun
D741,476 S *	10/2015	Hiraoka ..... D24/114	2009/0259180 A1	10/2009	Choi
9,149,331 B2	10/2015	Deem	2009/0275917 A1	11/2009	Azar
9,155,584 B2	10/2015	Fourkas	2009/0287161 A1	11/2009	Traub
9,180,273 B2	11/2015	Konstantino	2009/0299328 A1	12/2009	Mudd et al.
9,214,030 B2	12/2015	Sole et al.	2010/0006095 A1	1/2010	Woodcock
9,227,023 B2	1/2016	Kraft	2010/0030152 A1	2/2010	Lee et al.
9,241,753 B2	1/2016	Fourkas	2010/0069848 A1	3/2010	Alferness
9,254,162 B2	2/2016	Burger	2010/0100114 A1	4/2010	Berger
9,289,605 B2	3/2016	Choi	2010/0121307 A1	5/2010	Lockard
9,314,568 B2	4/2016	Gurtner et al.	2010/0152675 A1	6/2010	McClintock
9,468,748 B2	10/2016	Bang	2010/0152679 A1	6/2010	Tezel
D789,520 S *	6/2017	Tseng ..... D24/114	2010/0179488 A1	7/2010	Spiegel
D792,969 S *	7/2017	Taylor ..... D24/130	2010/0256594 A1	10/2010	Kimmell
2001/0008937 A1	7/2001	Callegaro et al.	2010/0256596 A1	10/2010	Chomas
2002/0010433 A1	1/2002	Johnson	2010/0280488 A1	11/2010	Pruitt et al.
2002/0026039 A1	2/2002	Bellini et al.	2010/0282774 A1	11/2010	Greter et al.
2002/0065483 A1	5/2002	Leon	2010/0286618 A1	11/2010	Choi
2002/0133114 A1	9/2002	Itoh	2011/0009808 A1	1/2011	AlGhamdi
2002/0151843 A1	10/2002	Correa et al.	2011/0021905 A1	1/2011	Patrick et al.
2003/0028154 A1	2/2003	Ros	2011/0028910 A1	2/2011	Weber
2003/0050602 A1	3/2003	Pettis et al.	2011/0092916 A1	4/2011	Tezel et al.
2003/0078912 A1	4/2003	Oliver	2011/0137286 A1	6/2011	Mudd et al.
2003/0144632 A1	7/2003	Hommann et al.	2011/0152926 A1	6/2011	Vetrecin
2003/0181863 A1	9/2003	Ackley	2011/0160674 A1	6/2011	Holmes et al.
2003/0199883 A1	10/2003	Laks	2011/0172645 A1	7/2011	Moga
2004/0010224 A1	1/2004	Bodmeier	2011/0190974 A1	8/2011	Holmes et al.
2004/0015133 A1	1/2004	Karim	2011/0202014 A1	8/2011	Mutzbauer
2004/0092927 A1	5/2004	Podhajsky et al.	2011/0218494 A1	9/2011	Assaf
2004/0147883 A1	7/2004	Tsai	2011/0218497 A1	9/2011	Assaf
2004/0192643 A1	9/2004	Pressato et al.	2011/0230839 A1	9/2011	Bahrami et al.
2004/0220532 A1	11/2004	Caizza	2011/0238038 A1	9/2011	Sefi
2005/0033362 A1	2/2005	Grafton	2011/0263724 A1	10/2011	Gurtner
2005/0085767 A1	4/2005	Menassa	2011/0319865 A1	12/2011	Buss
2005/0131353 A1	6/2005	Mossanen-Shams et al.	2012/0041374 A1	2/2012	Lee
2005/0137496 A1	7/2005	Walsh et al.	2012/0089211 A1	4/2012	Curtis
2005/0177117 A1	8/2005	Crocker et al.	2012/0101475 A1	4/2012	Wilmot
2005/0182446 A1	8/2005	DeSantis	2012/0123194 A1	5/2012	Beckman
2005/0215956 A1	9/2005	Nerney	2012/0123537 A1	5/2012	Manesis et al.
2005/0261633 A1	11/2005	Khalaj	2012/0141532 A1	6/2012	Blanda et al.
			2012/0150266 A1	6/2012	Shalev
			2012/0245629 A1	9/2012	Gross et al.
			2012/0259322 A1	10/2012	Fourkas
			2012/0265064 A1	10/2012	Bahrami et al.
			2012/0265171 A1	10/2012	Thorne



(56)

References Cited

U.S. PATENT DOCUMENTS

2012/0296206 A1 11/2012 Bahrami et al.  
 2013/0012865 A1 1/2013 Sallberg et al.  
 2013/0041346 A1 2/2013 Alon  
 2013/0096531 A1 4/2013 Estepa et al.  
 2013/0122068 A1 5/2013 Fermanian et al.  
 2013/0131632 A1 5/2013 Mudd et al.  
 2013/0131633 A1 5/2013 Mudd et al.  
 2013/0150826 A1 6/2013 Almohizea  
 2013/0184648 A1 7/2013 Inou et al.  
 2013/0184696 A1 7/2013 Fourkas  
 2013/0197446 A1 8/2013 Gustafsson  
 2013/0197449 A1 8/2013 Franklin et al.  
 2013/0211374 A1 8/2013 Hetherington  
 2013/0253289 A1 9/2013 Hadvary  
 2013/0274655 A1 10/2013 Jennings  
 2013/0274670 A1 10/2013 Mudd et al.  
 2013/0280755 A1 10/2013 Hubert  
 2013/0310763 A1 11/2013 Mudd et al.  
 2014/0018770 A1 1/2014 Sutkin  
 2014/0018835 A1 1/2014 Scherkowski  
 2014/0066845 A1 3/2014 Mudd et al.  
 2014/0088502 A1 3/2014 Matheny et al.  
 2014/0088553 A1 3/2014 Hetherington  
 2014/0114279 A1 4/2014 Klinghoffer  
 2014/0121587 A1 5/2014 Sallberg et al.  
 2014/0128685 A1 5/2014 Na  
 2014/0128810 A1 5/2014 Ozawa et al.  
 2014/0162901 A1 6/2014 Bahrami et al.  
 2014/0170299 A1 6/2014 Gill  
 2014/0228950 A1 8/2014 Whitcup et al.  
 2014/0228971 A1 8/2014 Kim  
 2014/0249504 A1 9/2014 Franklin et al.  
 2014/0257190 A1 9/2014 Yue et al.  
 2014/0309590 A1 10/2014 Bahrami et al.  
 2014/0343481 A1 11/2014 Ignon  
 2014/0350514 A1 11/2014 Levin  
 2014/0350516 A1 11/2014 Schwab  
 2014/0350517 A1 11/2014 Dominguez  
 2014/0350518 A1 11/2014 Franklin et al.  
 2014/0350536 A1 11/2014 Allison  
 2015/0025459 A1 1/2015 Kimmel  
 2015/0025563 A1 1/2015 Mosharafa et al.  
 2015/0119875 A1 4/2015 Fischell et al.  
 2015/0126929 A1 5/2015 Franklin et al.  
 2015/0141956 A1 5/2015 Hoffman et al.  
 2015/0157809 A1 6/2015 Park et al.  
 2015/0209265 A1 7/2015 Horne  
 2015/0343147 A1 12/2015 Franklin et al.  
 2016/0007990 A1 1/2016 Solish et al.  
 2016/0058488 A1 3/2016 Fourkas  
 2016/0095984 A1 4/2016 Franklin et al.  
 2016/0114144 A1 4/2016 Sumida  
 2016/0144125 A1 5/2016 Franklin  
 2016/0207253 A9 7/2016 Down et al.  
 2016/0213854 A1 7/2016 Schwab et al.  
 2016/0263358 A1 9/2016 Unger  
 2016/0303314 A1 10/2016 Momose  
 2017/0080154 A1 3/2017 Mudd et al.  
 2017/0290987 A1 10/2017 Mandaroux et al.

FOREIGN PATENT DOCUMENTS

EP 0362484 4/1990  
 EP 0205915 7/1990  
 EP 0167662 12/1990  
 EP 0648474 4/1995  
 EP 0809968 12/1997  
 EP 1051988 11/2000  
 EP 1486218 12/2004  
 EP 1395320 6/2006  
 EP 1859827 11/2007  
 EP 1923086 5/2008  
 EP 2189173 5/2010  
 EP 2335755 6/2011  
 EP 2422832 2/2012

EP 2103262 2/2013  
 EP 2184016 4/2013  
 EP 2671516 12/2013  
 FR 53011 9/1945  
 FR 2622457 5/1989  
 FR 2857654 1/2005  
 GB 2336783 5/2003  
 IN 209387 9/2007  
 KR 20120007473 1/2012  
 KR 101246570 3/2013  
 KR 20130036921 4/2013  
 KR 20130130436 12/2013  
 KR 20130132196 12/2013  
 KR 20140029007 3/2014  
 RU 2286803 11/2006  
 WO WO 90/001349 2/1990  
 WO WO 92/013579 8/1992  
 WO WO 94/012228 6/1994  
 WO WO 96/025965 8/1996  
 WO WO 97/028840 8/1997  
 WO WO 99/048601 9/1999  
 WO WO 01/00190 1/2001  
 WO WO 02/055135 7/2002  
 WO WO 2004/022603 3/2004  
 WO WO 2005/095225 10/2005  
 WO WO 2006/065837 6/2006  
 WO WO 2008/086479 8/2006  
 WO WO 2006/118804 11/2006  
 WO WO 2006/133111 12/2006  
 WO WO 2007/092929 8/2007  
 WO WO 2008/019265 2/2008  
 WO WO 2008/053481 5/2008  
 WO WO 2008/072229 6/2008  
 WO WO 2008/079824 7/2008  
 WO WO 2008/148071 12/2008  
 WO WO 2009/003135 12/2008  
 WO WO 2009/035680 3/2009  
 WO WO 2009/091099 7/2009  
 WO WO 2009/098666 8/2009  
 WO WO 2009/158145 12/2009  
 WO WO 2010/028025 3/2010  
 WO WO 2011/016785 2/2011  
 WO WO 2011/073796 6/2011  
 WO WO 2011/075731 6/2011  
 WO WO 2011/109129 9/2011  
 WO WO 2011/109130 9/2011  
 WO WO 2012/054301 4/2012  
 WO WO 2012/054311 4/2012  
 WO WO 2012/127856 9/2012  
 WO WO 2012/172424 12/2012  
 WO WO 2013/005881 1/2013  
 WO WO 2013/054165 4/2013  
 WO WO 2013/055832 4/2013  
 WO WO 2013/082112 6/2013  
 WO WO 2013/106857 8/2013  
 WO WO 2014/026044 2/2014  
 WO WO 2014/034032 3/2014  
 WO WO 2012/174464 5/2014  
 WO WO 2014/064536 5/2014  
 WO WO 2014/189161 11/2014  
 WO WO 2015/007243 1/2015  
 WO WO 2015/020982 2/2015  
 WO WO 2013/065235 4/2015  
 WO WO 2015/064031 5/2015  
 WO WO 2015/105269 7/2015  
 WO WO 2015/127339 8/2015  
 WO WO 2015/149031 10/2015  
 WO WO 2016/008845 1/2016  
 WO WO 2016/022865 2/2016  
 WO WO 2016/033584 3/2016  
 WO WO 2016/033586 3/2016

OTHER PUBLICATIONS

Davidenko et al., "Collagen-hyaluronic acid scaffolds for adipose tissue engineering", ACTA Biomaterialia, vol. 6, No. 10, Oct. 1, 2010, pp. 3957-3968.

(56)

**References Cited**

OTHER PUBLICATIONS

Galderma, "New Restylane Skinboosters SmartClick delivery system wins prestigious Red Dot design award," Jul. 4, 2014, retrieved from <http://www.galderma.com/News/articleType/ArticleView/articleId/64/New-Restylane-Skinboosters-SmartClick-delivery-system-wins-prestigious-Red-Dot-design-award>.

Galderma, "Restylane Smart Click System Injection Device," Mar. 2015, retrieved from <http://www.red-dot-21.com/products/restylane-smart-click-system-injection-device-22169>.

Hamza et al., "A new external filling device in tissue expansion," *Plastic and Reconstructive Surgery*, Mar. 1998, vol. 101, No. 3, pp. 813-815.

Indian Patent Application No. 190/CHE/2002, filed Mar. 20, 2002, entitled A Subcutaneous Tissue Expander, 5 pages.

Indian Patent Application No. IN2012KO01267 for Tissue Expander, Feb. 8, 2017, 7 pages.

International Search Report from PCT/US2016/021838, dated May 17, 2016, 3 pages.

International Search Report and Written Opinion from PCT/US2009/045831, dated Feb. 24, 2010, 14 pages.

International Search Report and Written Opinion from PCT/US2014/039265, dated Nov. 18, 2014, 18 pages.

International Search Report and Written Opinion from PCT/US2014/039266, dated Aug. 26, 2014, 13 pages.

Park et al., "Biological characterization of EDC-crosslinked collagen-hyaluronic acid matrix in dermal tissue restoration", *Biomaterials*, Elsevier Science Publishers BV, vol. 24, No. 9, Apr. 1, 2003, pp. 1631-1641.

Prime Journal, "Galderma to launch two new syringes at AMWC 2014," Mar. 2014, 4 pages.

Turtlepin, "The Painless Direct Dermal Injector" Product Information, JM Biotech Co Ltd, 2013, 18 pages.

Wang et al., "In vivo stimulation of de novo collagen production caused by cross-linked hyaluronic acid dermal filler injections in photodamaged human skin.", *Archives of Dermatology*, American Medical Association, US, vol. 143, No. 2, Feb. 1, 2007, pp. 155-163.

\* cited by examiner

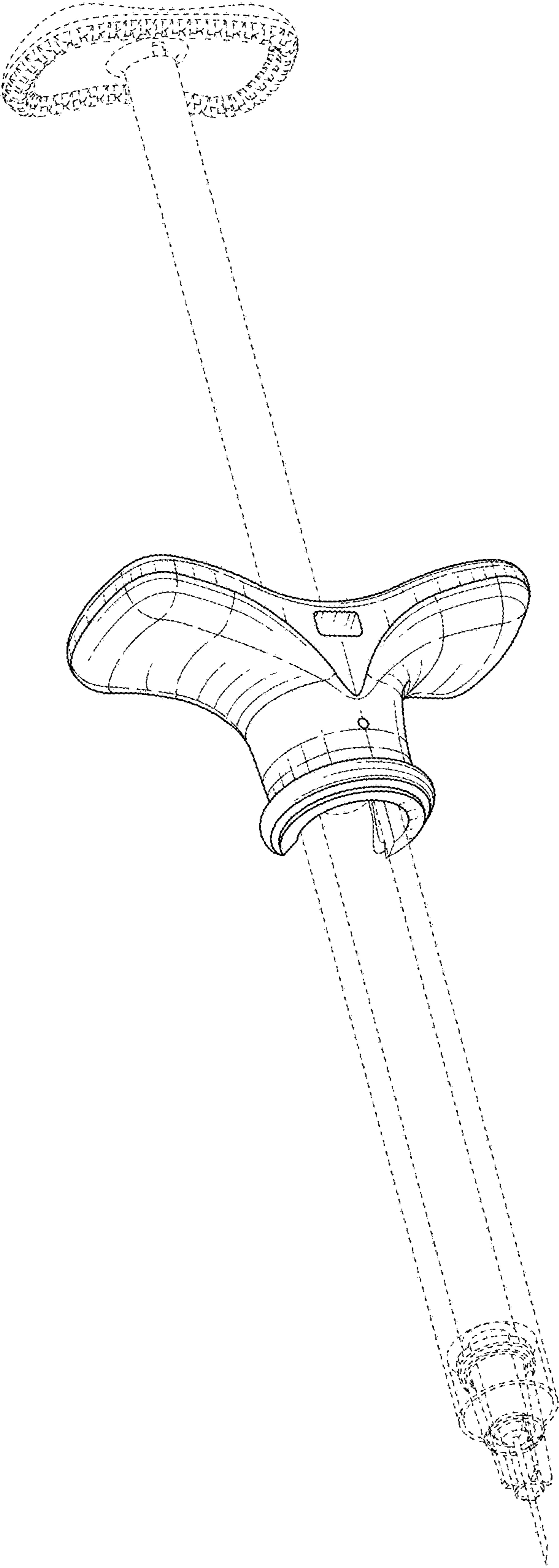


FIG. 1



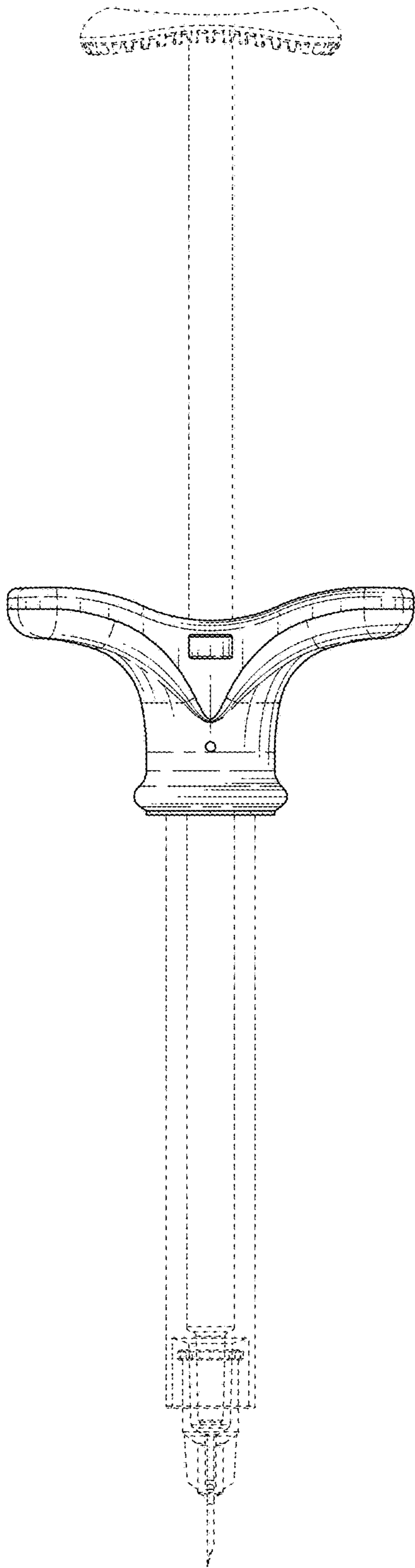


FIG. 2

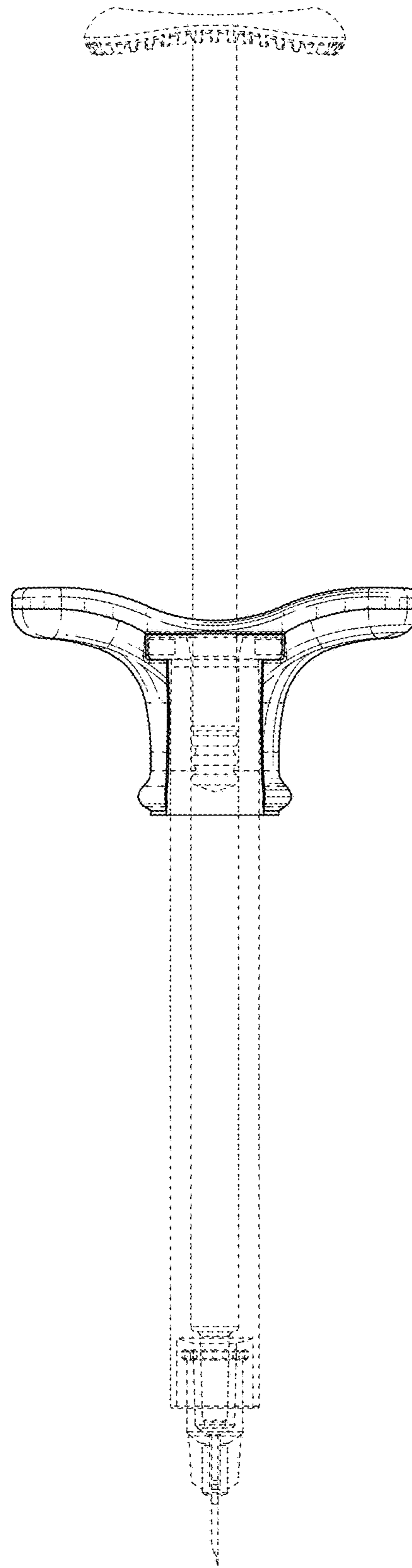


FIG. 3

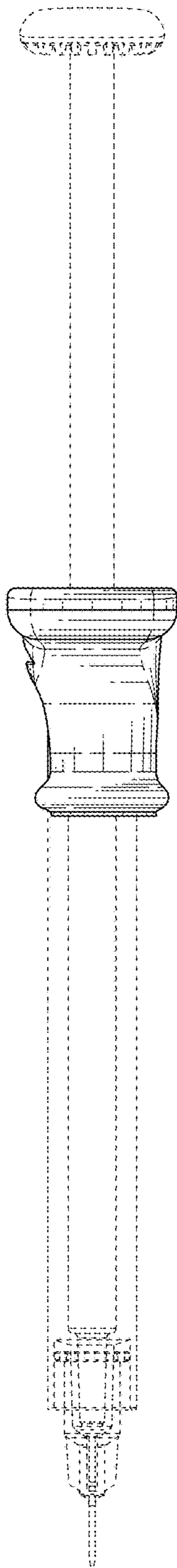


FIG. 4

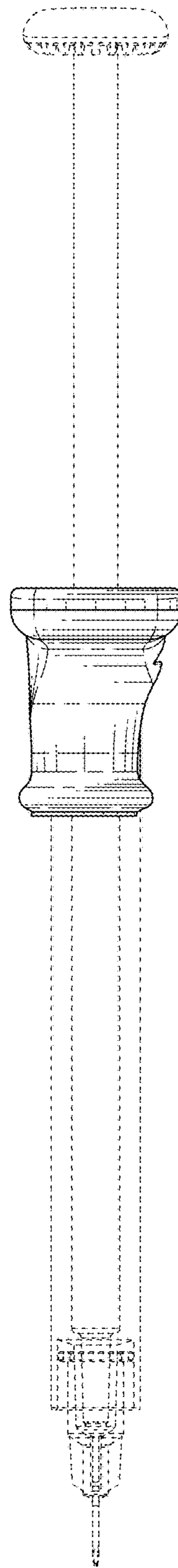


FIG. 5



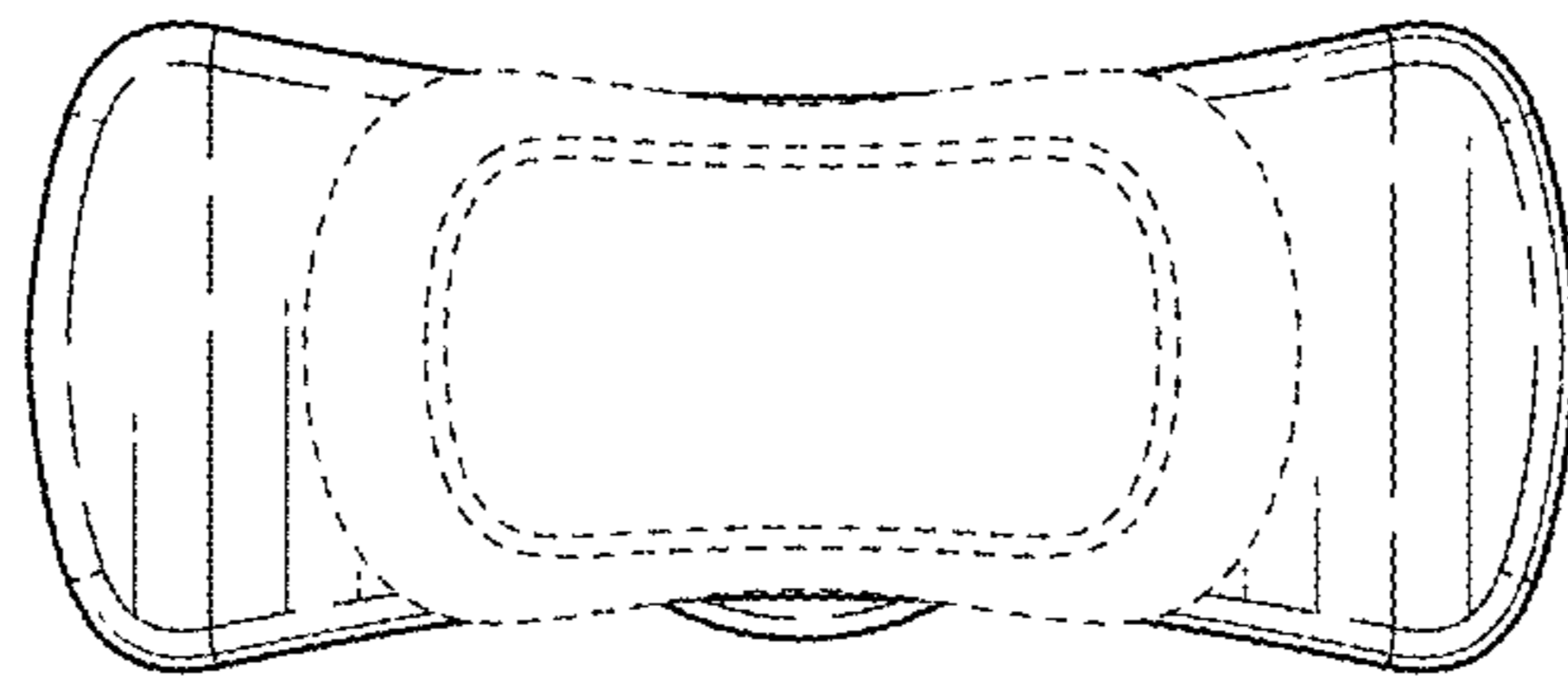


FIG. 6

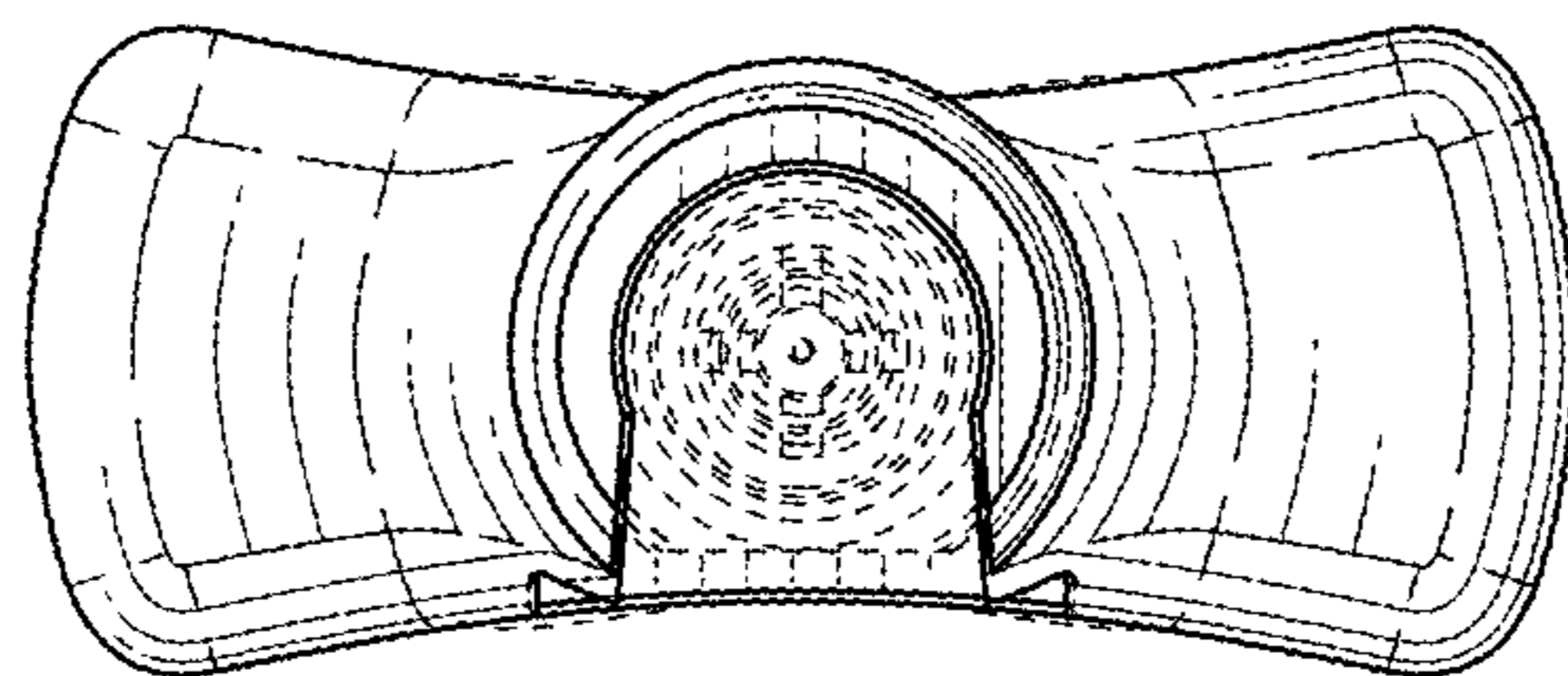


FIG. 7