



US00D865947S

(12) **United States Design Patent**
Khalaj

(10) **Patent No.:** **US D865,947 S**

(45) **Date of Patent:** **** Nov. 5, 2019**

(54) **SYRINGE PLUNGER**

(71) Applicant: **Ben M. Khalaj**, Lake Forest, CA (US)

(72) Inventor: **Ben M. Khalaj**, Lake Forest, CA (US)

(**) Term: **15 Years**

(21) Appl. No.: **29/645,336**

(22) Filed: **Apr. 25, 2018**

(51) **LOC (12) Cl.** **24-02**

(52) **U.S. Cl.**
USPC **D24/114**

(58) **Field of Classification Search**
USPC D24/112-114, 108, 133, 130, 127, 186;
606/181, 185; 604/264, 272, 187, 181,
604/184, 227
CPC A61M 5/178; A61M 3/00; A61M 5/20;
A61M 5/31; A61M 5/3146; A61M
5/3129; A61M 5/3148; A61M 5/315
See application file for complete search history.

(56) **References Cited**

U.S. PATENT DOCUMENTS

5,344,409	A *	9/1994	Ennis, III	A61M 5/31551
					604/187
D383,205	S *	9/1997	Pagay	D24/112
D403,762	S *	1/1999	Gabbard	D24/113
D462,441	S *	9/2002	Gamer	D24/133
D543,624	S *	5/2007	Khalaj	D24/114
D609,333	S *	2/2010	Holmes	D24/114
8,137,307	B2 *	3/2012	Tennican	A61M 5/31596
					604/184
8,394,068	B2 *	3/2013	Kosinski	A61M 5/31511
					604/219

D729,931	S *	5/2015	Takeuchi	D24/114
9,289,557	B2 *	3/2016	Ivosevic	A61M 5/31513
D789,520	S *	6/2017	Tseng	D24/114
D823,460	S *	7/2018	Raghuveer	D24/114
D834,182	S *	11/2018	Reynolds	D24/114

* cited by examiner

Primary Examiner — David G Muller

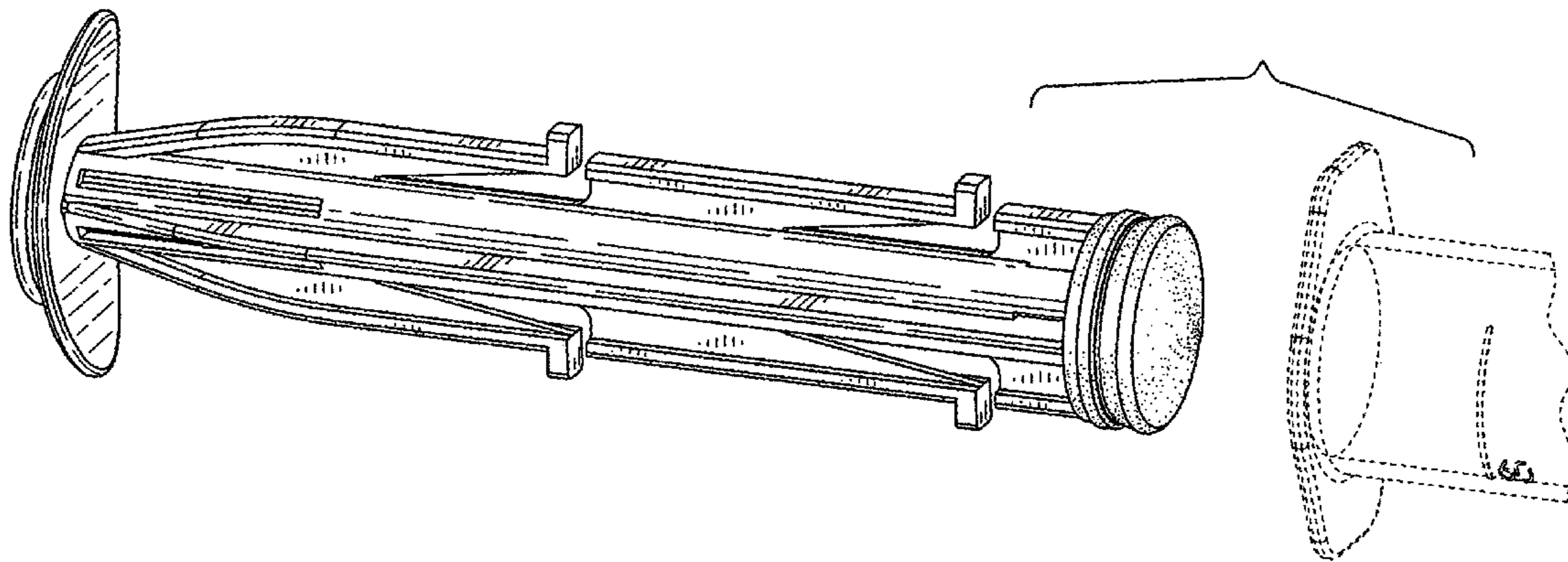
(57) **CLAIM**

The ornamental design for a syringe plunger, as shown & described.

DESCRIPTION

FIG. 1 is a perspective view of a syringe plunger showing my new design;
 FIG. 2 is a right side elevation view thereof, the left side elevation view being identical;
 FIG. 3 is a top plan view thereof, the bottom plan view being identical;
 FIG. 4 is rear elevation view thereof; and,
 FIG. 5 is a front elevation view thereof.
 FIG. 6 is a perspective view of another embodiment of the syringe plunger;
 FIG. 7 is a right side elevation view thereof, the left side elevation view being identical;
 FIG. 8 is a top plan view thereof, the bottom plan view being identical;
 FIG. 9 is rear elevation view thereof; and,
 FIG. 10 is a front elevation view thereof.
 The features shown in broken lines depict environmental structure only and form no part of the claimed design.

1 Claim, 4 Drawing Sheets



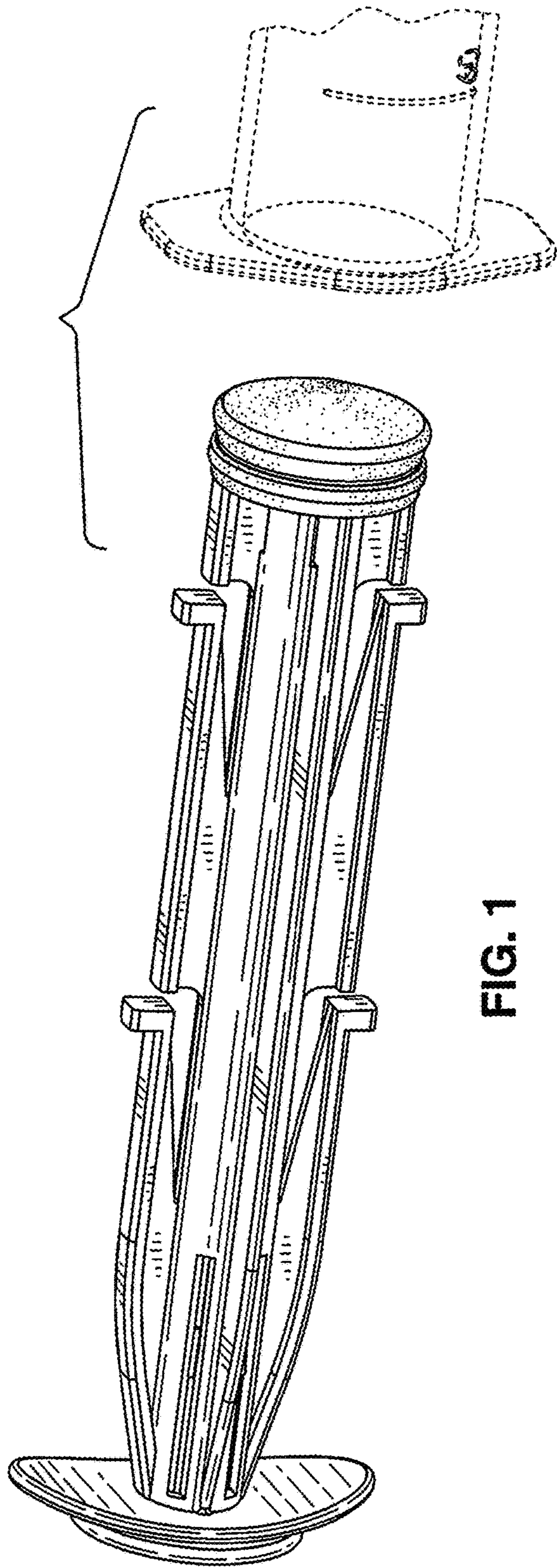


FIG. 1

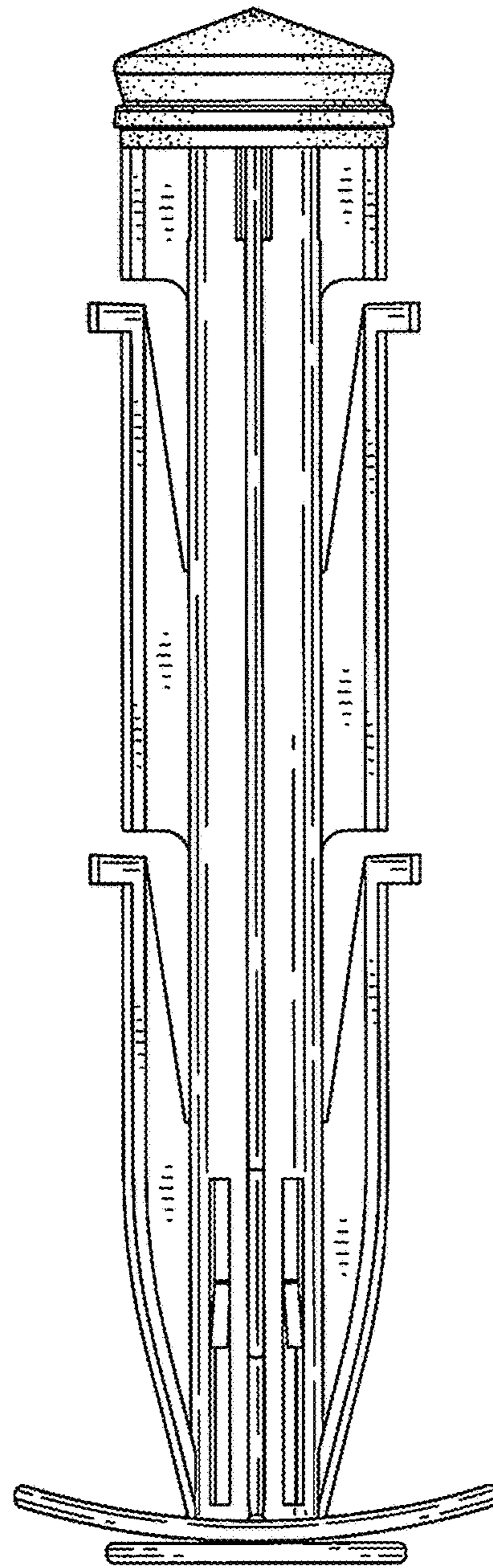


FIG. 2

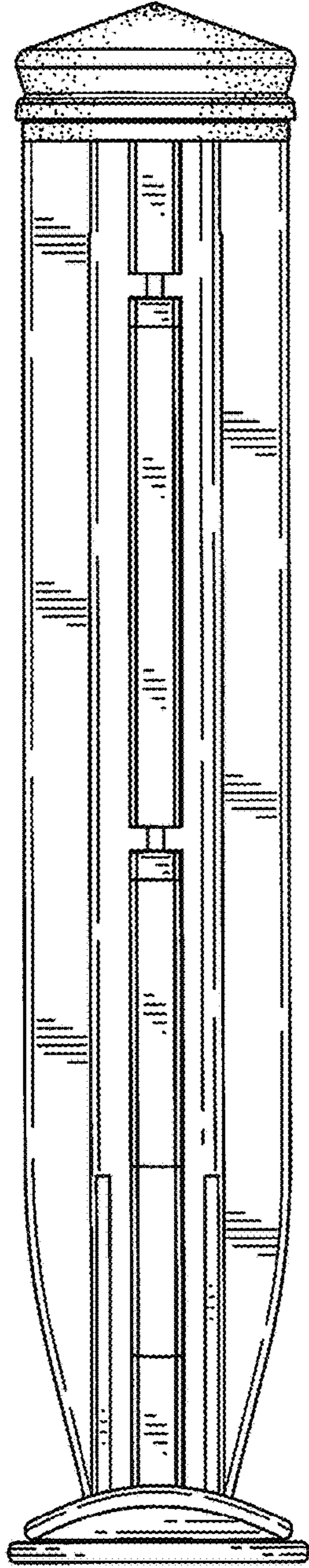


FIG. 3

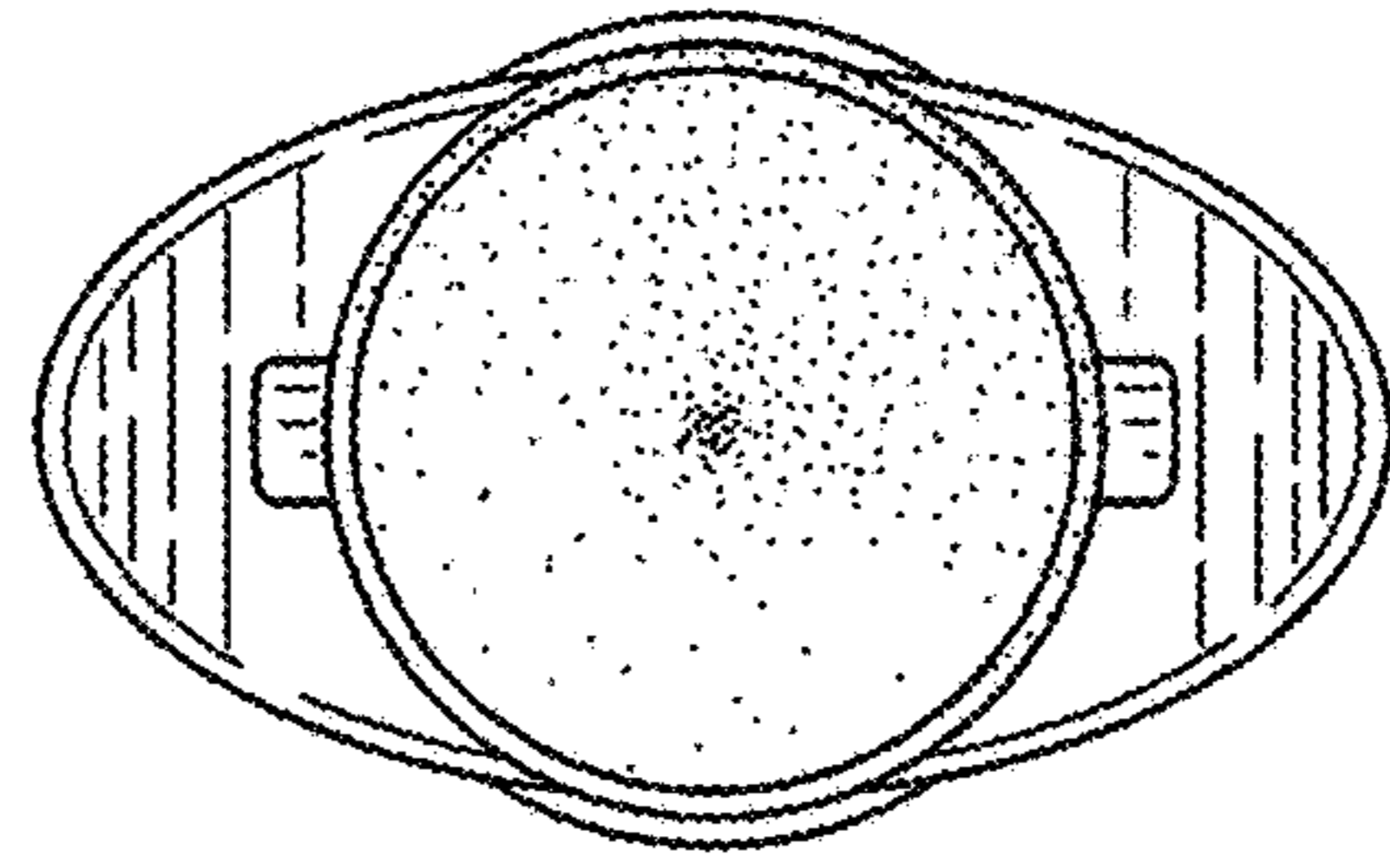


FIG. 5

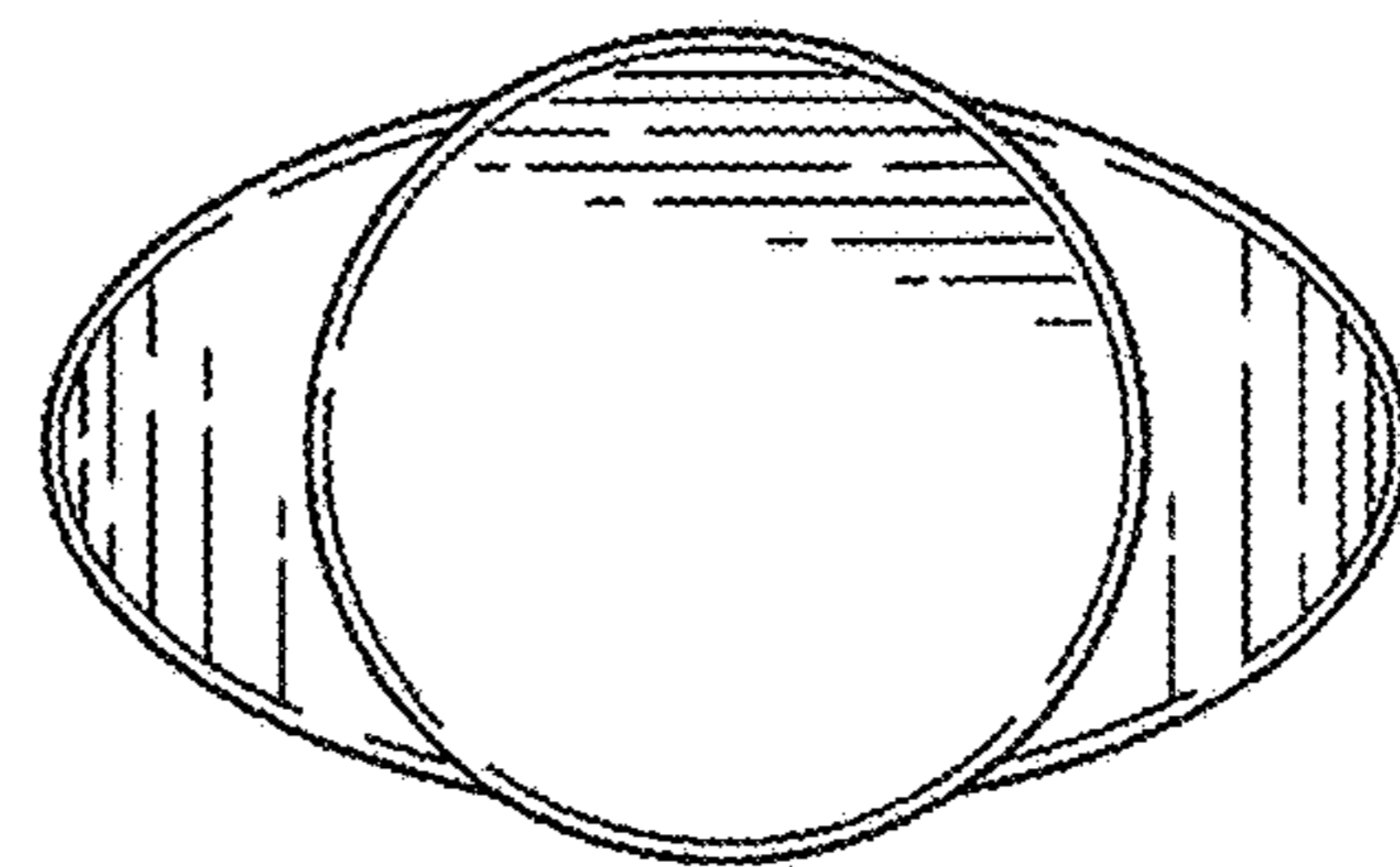


FIG. 4

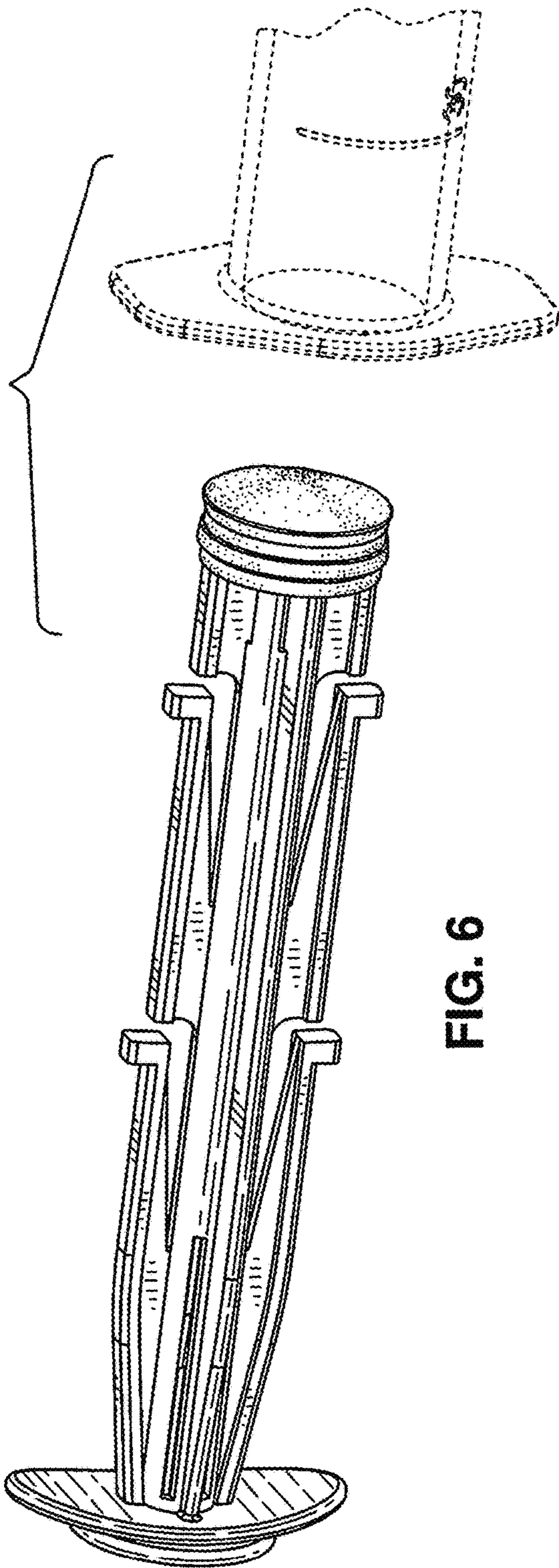


FIG. 6

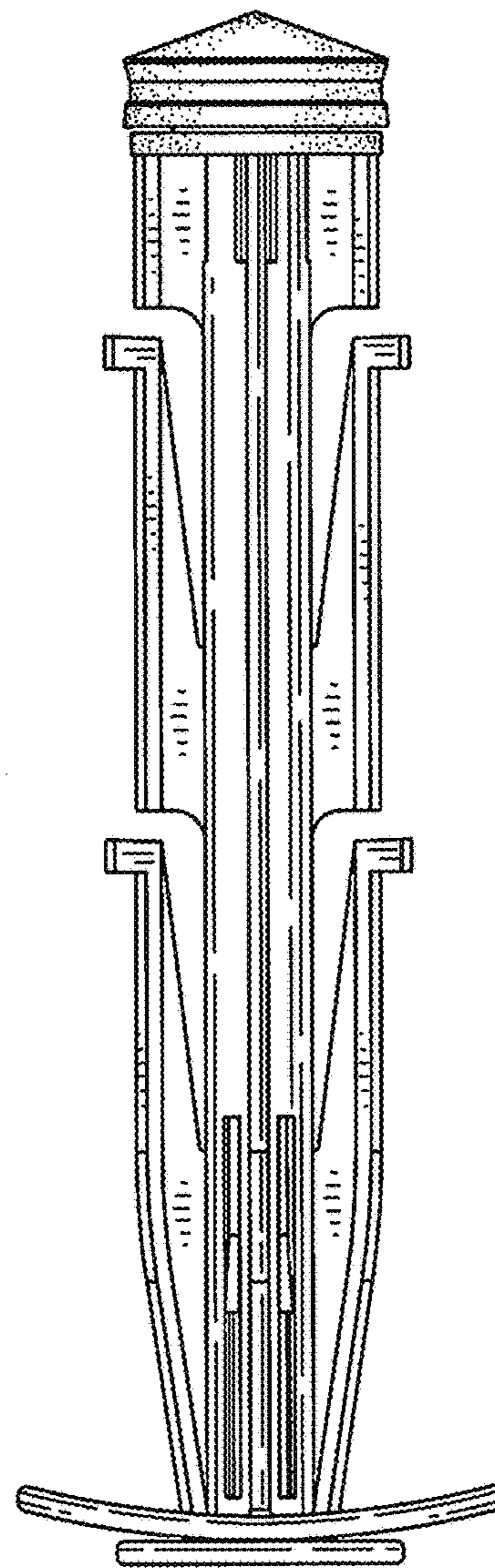


FIG. 7

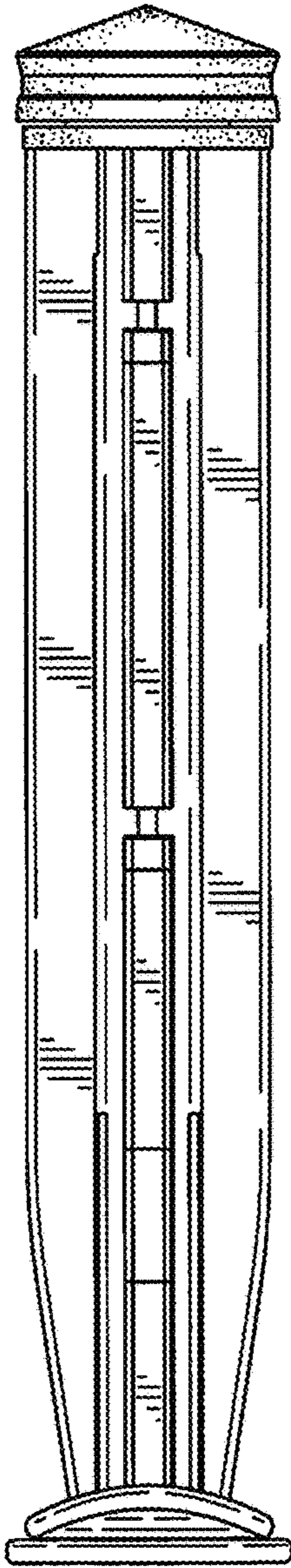


FIG. 8

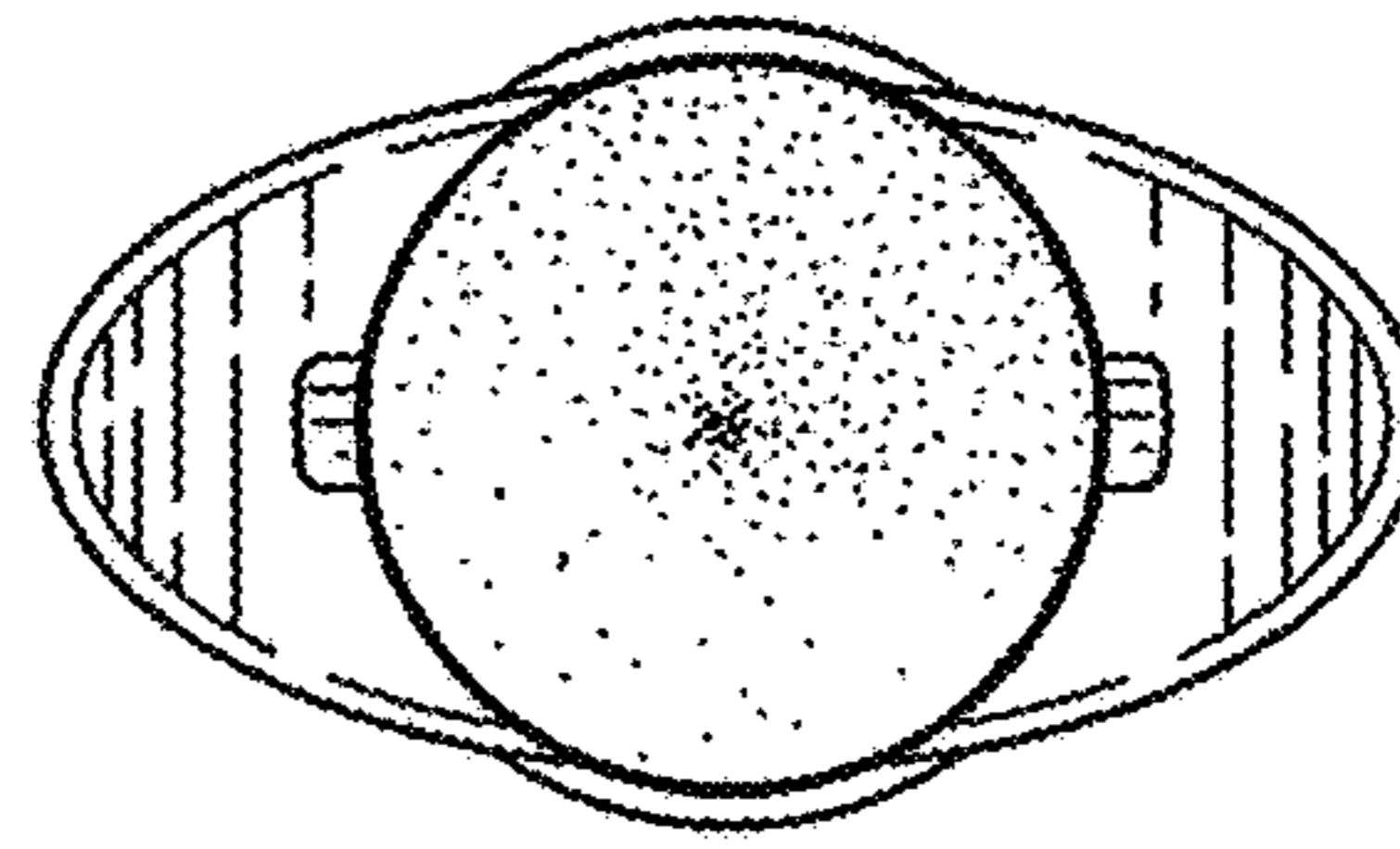


FIG. 10

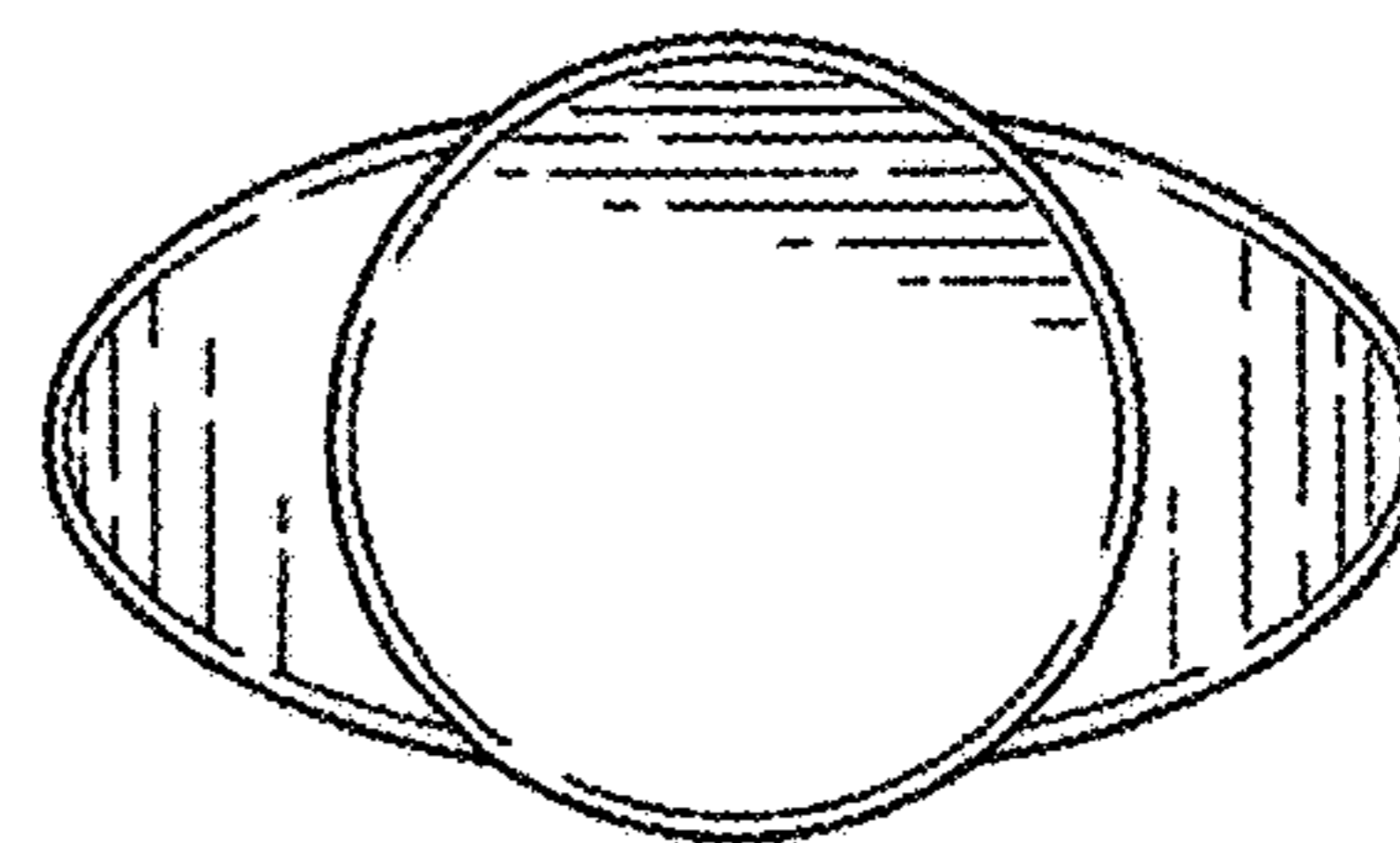


FIG. 9