



US00D865945S

(12) **United States Design Patent**  
**Nazzaro et al.**

(10) **Patent No.: US D865,945 S**

(45) **Date of Patent: \*\* Nov. 5, 2019**

(54) **DRUG DELIVERY DEVICE**

(71) Applicant: **Insulet Corporation**, Acton, MA (US)

(72) Inventors: **David Nazzaro**, Groveland, MA (US);  
**Jeff Barnes**, Medford, MA (US);  
**Maureen McCaffrey**, Boston, MA  
(US); **Melinda Freson**, Westford, MA  
(US); **Alexander Patt Broerman**,  
Somerville, MA (US)

(73) Assignee: **INSULET CORPORATION**, Acton,  
MA (US)

(\*\*) Term: **15 Years**

(21) Appl. No.: **29/686,756**

(22) Filed: **Apr. 8, 2019**

**Related U.S. Application Data**

(63) Continuation of application No. 29/671,670, filed on  
Nov. 29, 2018, now Pat. No. Des. 851,752, which is  
a continuation of application No. 29/618,871, filed on  
Sep. 25, 2017, now Pat. No. Des. 836,770.

(51) **LOC (12) Cl.** ..... **24-02**

(52) **U.S. Cl.**  
USPC ..... **D24/111**; D24/113

(58) **Field of Classification Search**  
USPC ..... D24/107, 108, 111, 169, 185, 188,  
D24/112–113

CPC ..... A61M 5/142; A61M 2005/14208; A61M  
5/14212; A61M 5/14228; A61M 5/14232;  
A61M 5/145; A61M 5/1456; A61M  
5/14566; A61M 5/1458; A61M 5/1452;  
A61M 2205/505; A61M 5/14244; A61M  
5/1723; A61M 2205/52; A61M 5/14248;  
A61M 2005/14268; A61M 15/1428;  
A61M 2005/14284; G06F 19/3468

See application file for complete search history.

(56) **References Cited**

U.S. PATENT DOCUMENTS

D685,083 S \* 6/2013 Schneider ..... D24/108  
D687,141 S \* 7/2013 Schneider ..... D24/108  
D687,536 S \* 8/2013 Guarraia ..... D24/108  
D692,552 S \* 10/2013 Lovell ..... D24/108  
D745,142 S \* 12/2015 O'Connor ..... D24/111

(Continued)

*Primary Examiner* — Lilyana Bekic

(57) **CLAIM**

The ornamental design for a drug delivery device, as shown  
and described.

**DESCRIPTION**

FIG. 1 is a top, left perspective view of a drug delivery  
device showing our new design;

FIG. 2 is a top, right perspective view of the drug delivery  
device of FIG. 1;

FIG. 3 is bottom, left perspective view of the drug delivery  
device of FIG. 1;

FIG. 4 is a top view of the drug delivery device of FIG. 1;  
FIG. 5 is a bottom view of the drug delivery device of FIG.

1;

FIG. 6 is a rear, end view of the drug delivery device of FIG.

1;

FIG. 7 is a front, end view of the drug delivery device of  
FIG. 1;

FIG. 8 is a right, side view of the drug delivery device of  
FIG. 1;

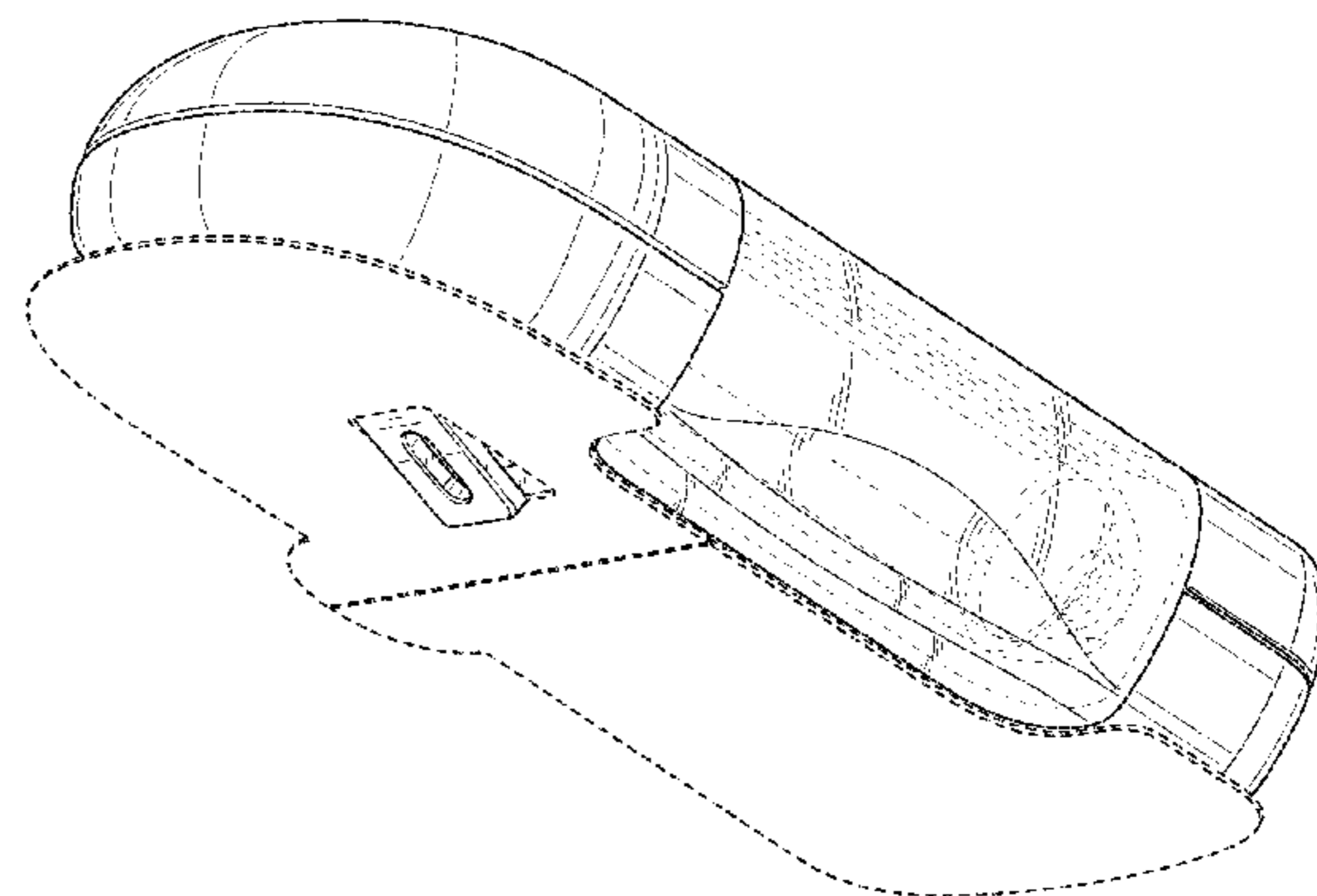
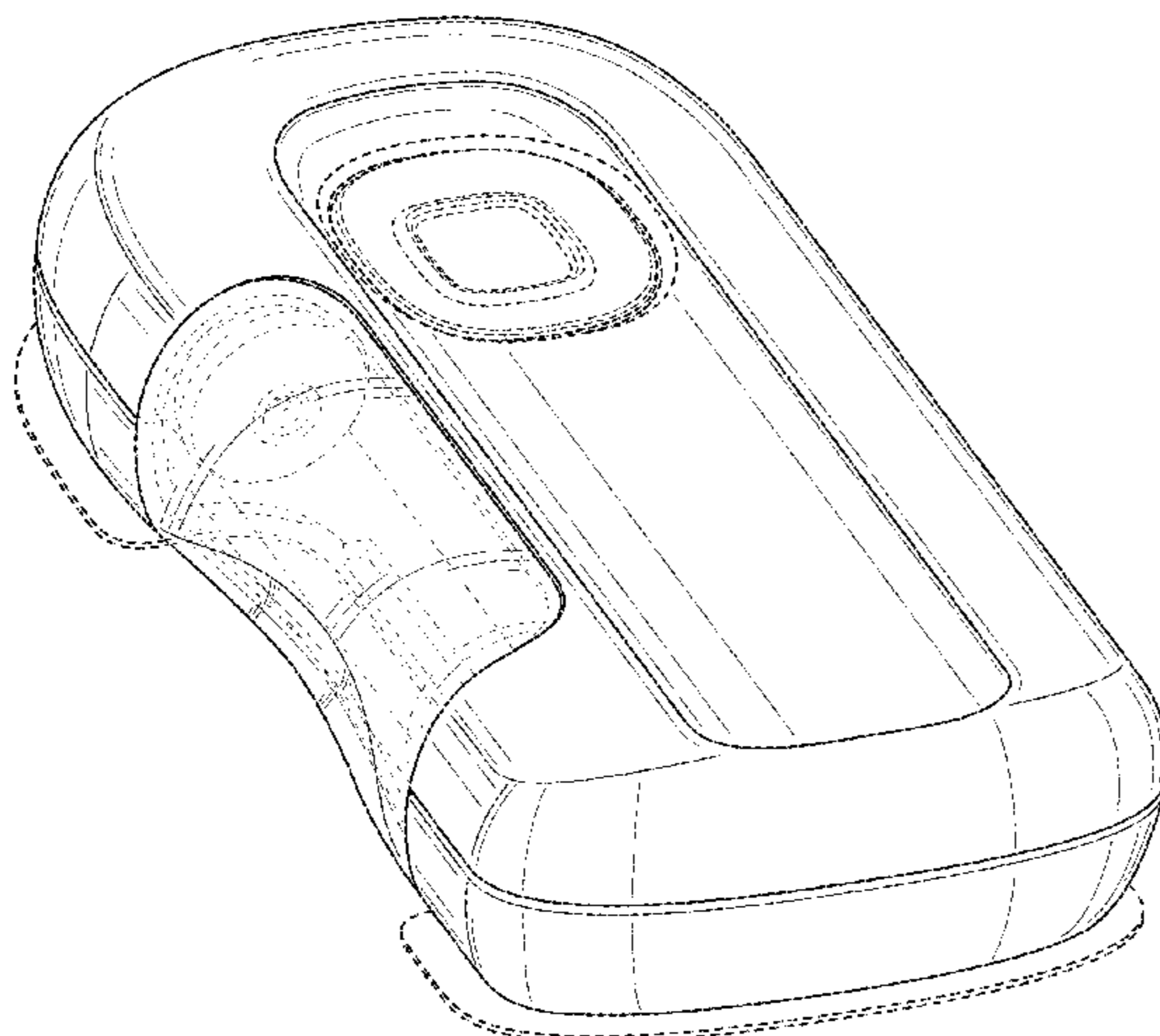
FIG. 9 is a left, side view of the drug delivery device of FIG.

1; and,

FIG. 10 is bottom, left perspective view of the drug delivery  
device of FIG. 1, showing an interlock portion in a retracted  
position.

The broken lines in the drawings depict portions of the drug  
delivery device that form no part of the claimed design.

**1 Claim, 8 Drawing Sheets**



(56)

## References Cited

## U.S. PATENT DOCUMENTS

D774,640 S \* 12/2016 Tyce ..... D24/113  
D776,262 S \* 1/2017 Tyce ..... D24/113  
D776,264 S \* 1/2017 Tyce ..... D24/113  
D776,265 S \* 1/2017 Tyce ..... D24/113  
9,572,926 B2 \* 2/2017 Cabiri ..... A61M 5/14248  
D794,776 S \* 8/2017 Tyce ..... D24/113  
D804,019 S \* 11/2017 Costello ..... D24/113  
D804,650 S \* 12/2017 Costello ..... D24/113  
D805,186 S \* 12/2017 Costello ..... D24/113  
D805,187 S \* 12/2017 Costello ..... D24/113  
D805,188 S \* 12/2017 Costello ..... D24/113  
D805,189 S \* 12/2017 Costello ..... D24/113  
D805,190 S \* 12/2017 Costello ..... D24/113  
D810,278 S \* 2/2018 Cabiri ..... D24/111  
D813,380 S \* 3/2018 Stonecipher ..... D24/113  
D817,481 S \* 5/2018 Cabiri ..... A61M 5/158  
D24/111  
D836,770 S \* 12/2018 Nazzaro ..... D24/111  
D838,840 S \* 1/2019 Cabiri ..... A61M 5/158  
D24/111  
D840,531 S \* 2/2019 Guillermo ..... D24/112  
2010/0168683 A1 \* 7/2010 Cabiri ..... A61M 5/14248  
604/263  
2014/0296787 A1 \* 10/2014 Agard ..... A61M 5/14216  
604/152  
2016/0058941 A1 \* 3/2016 Wu ..... A61M 5/3134  
604/136  
2017/0028132 A1 \* 2/2017 Cronenberg ..... A61M 5/1454  
2017/0354785 A1 \* 12/2017 Gazeley ..... A61M 5/31536  
2018/0236173 A1 \* 8/2018 McCaffrey ..... A61M 5/2466  
2019/0091404 A1 \* 3/2019 Nazzaro ..... A61M 5/2033

\* cited by examiner

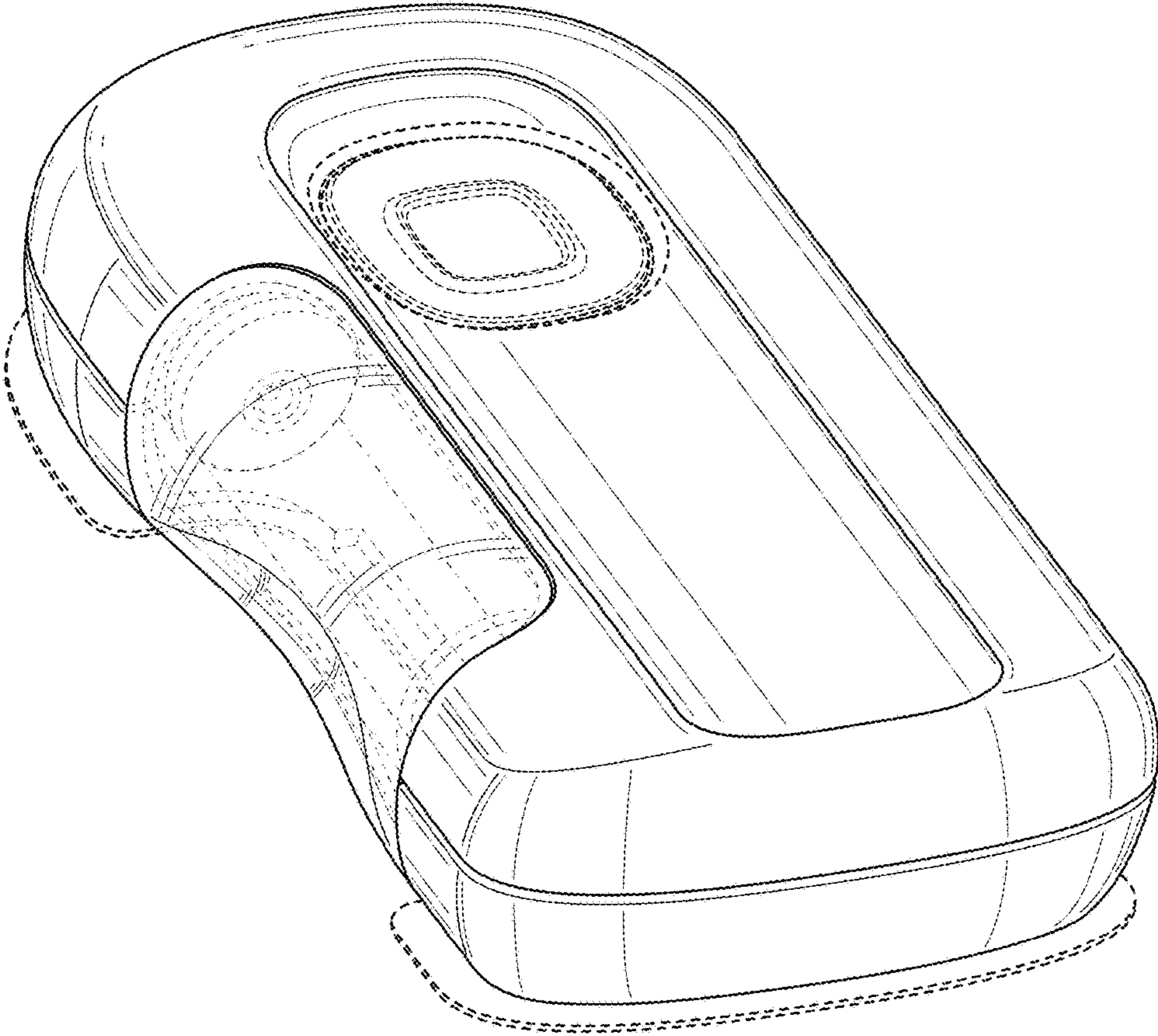


FIG. 1

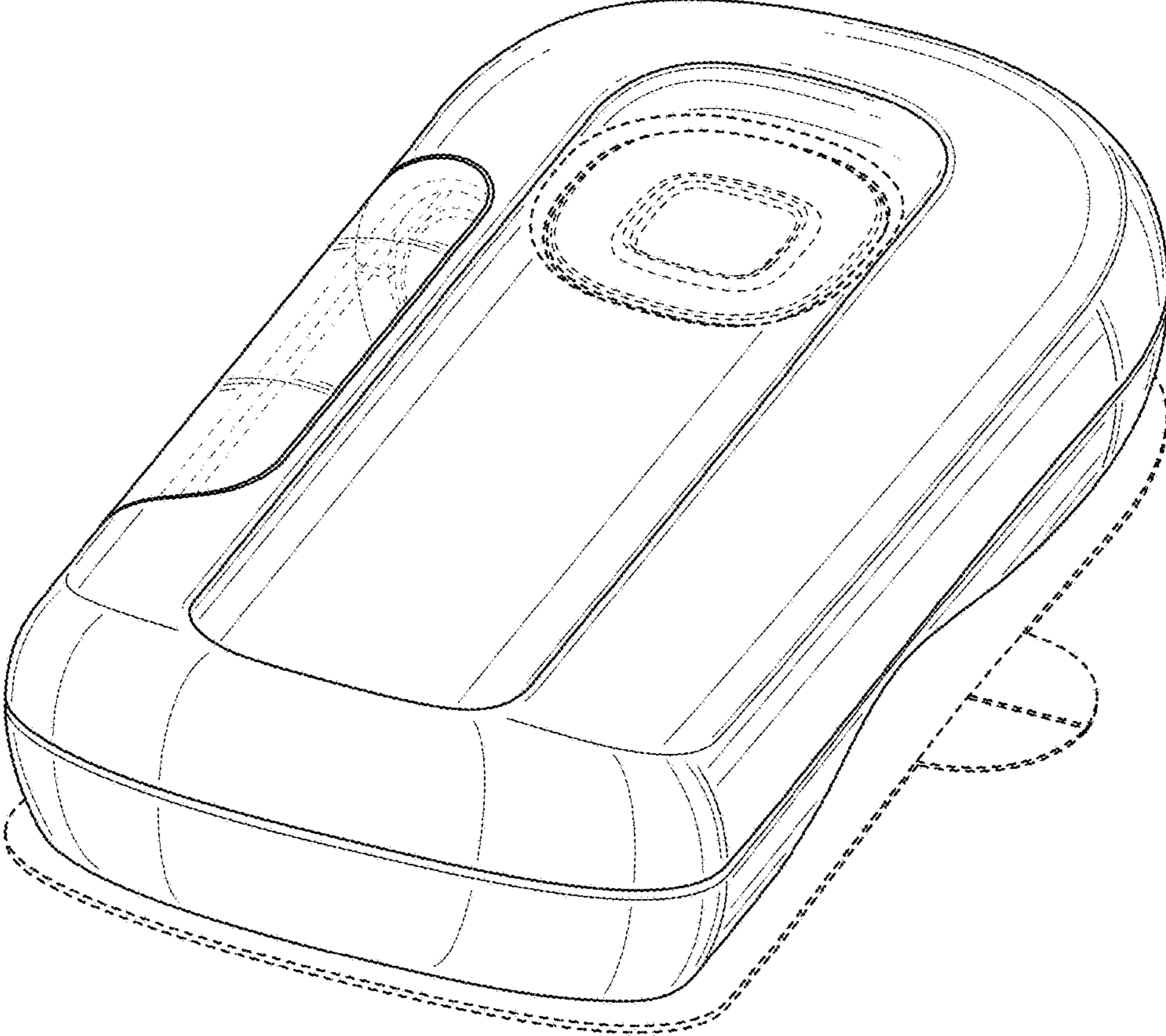


FIG. 2

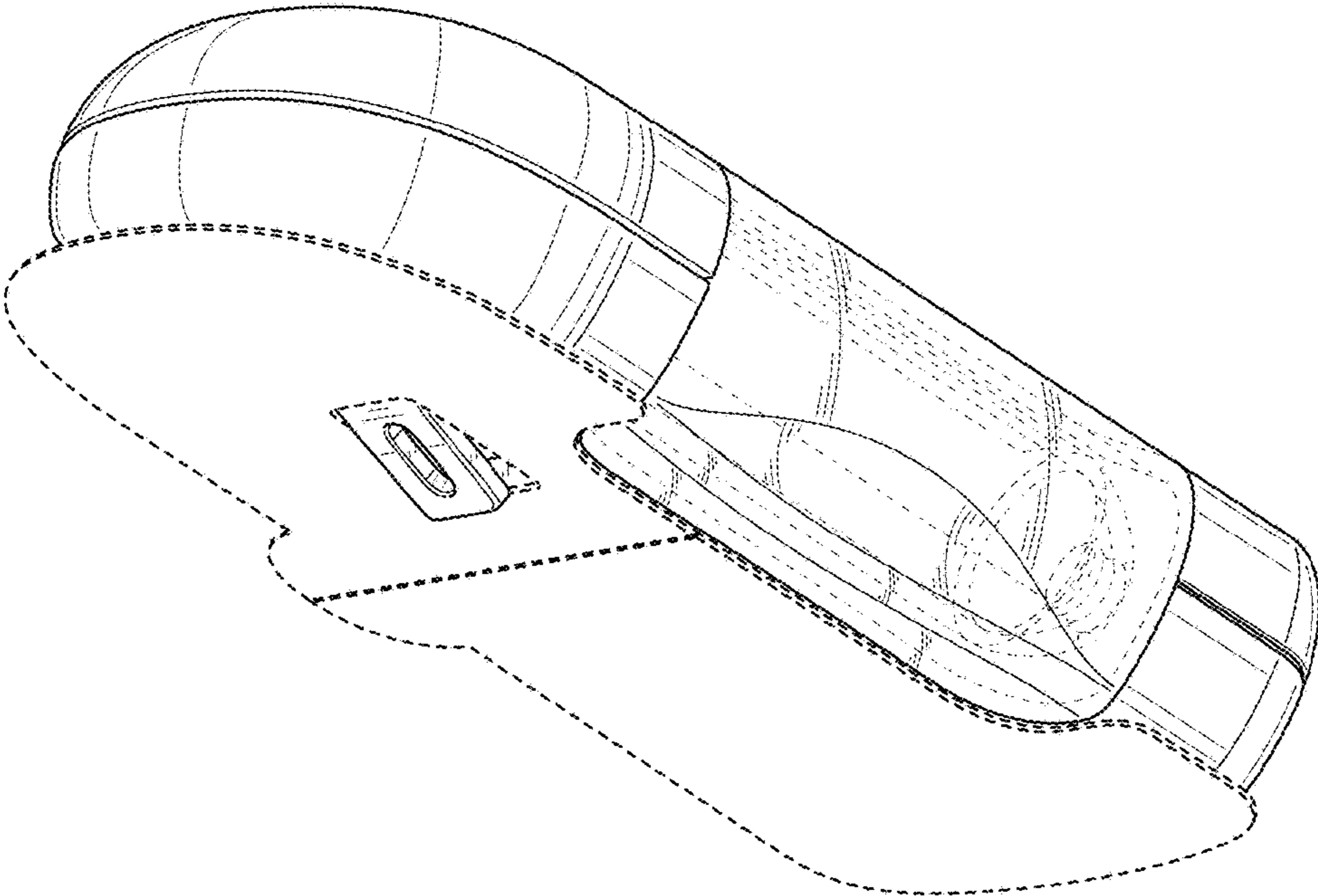


FIG. 3

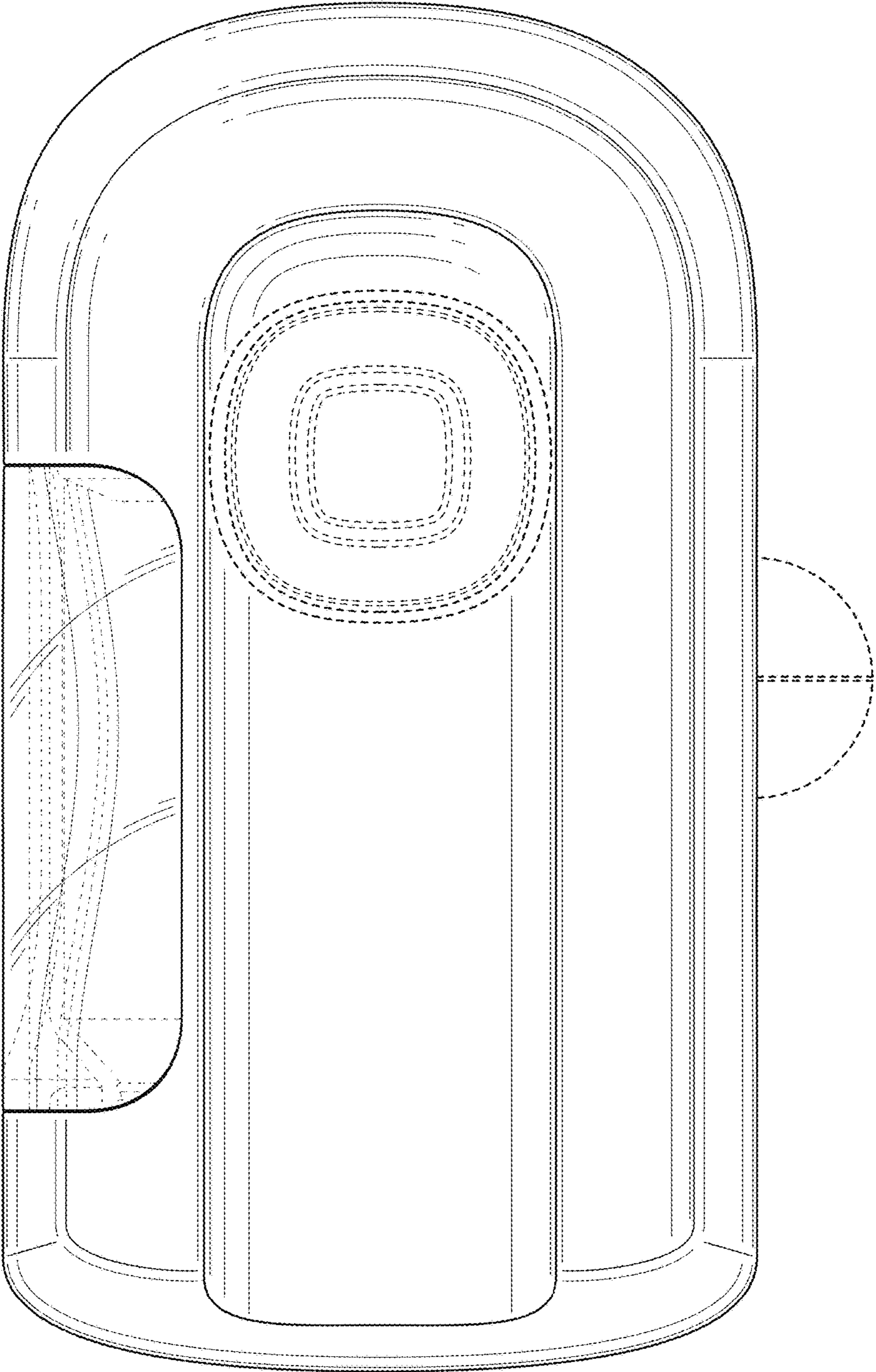


FIG. 4

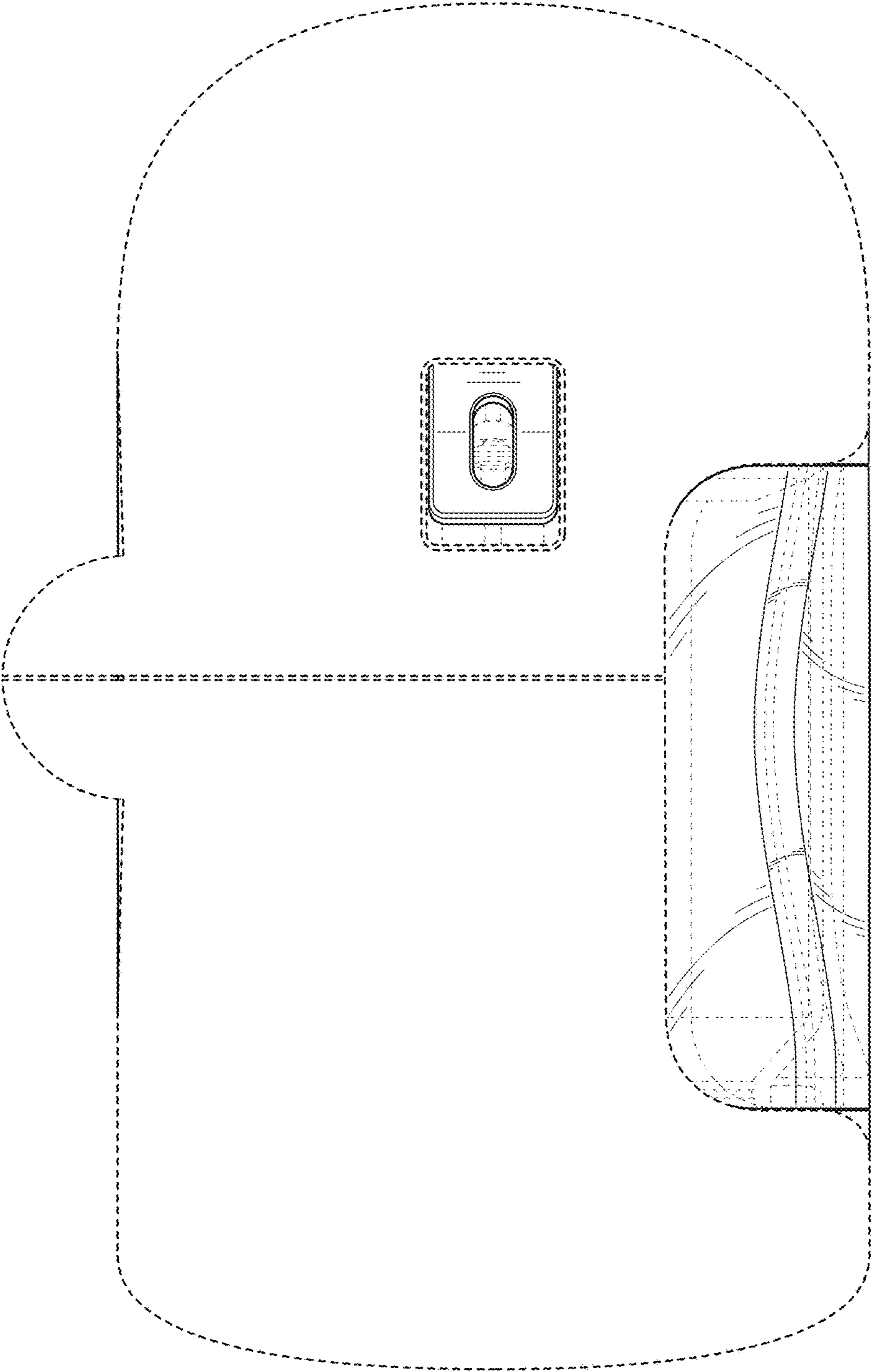


FIG. 5

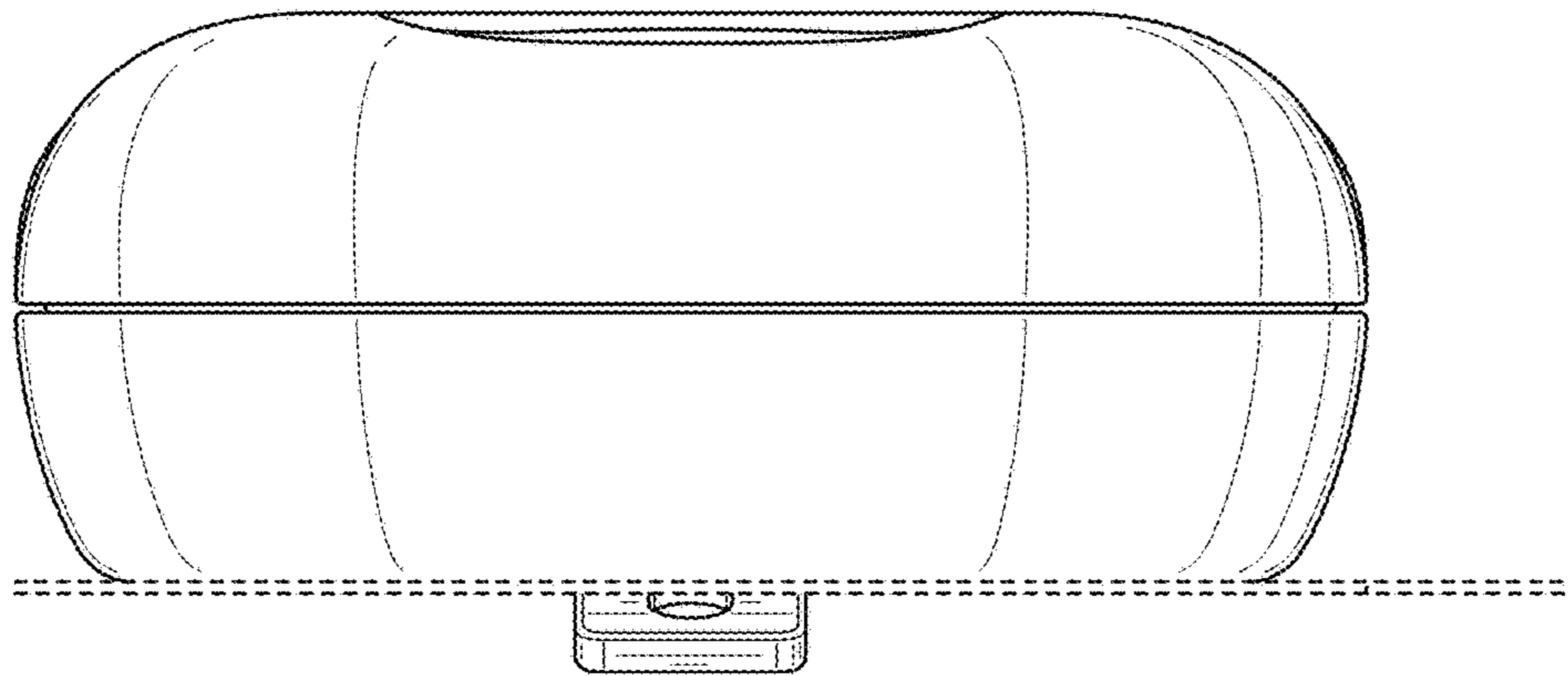


FIG. 6

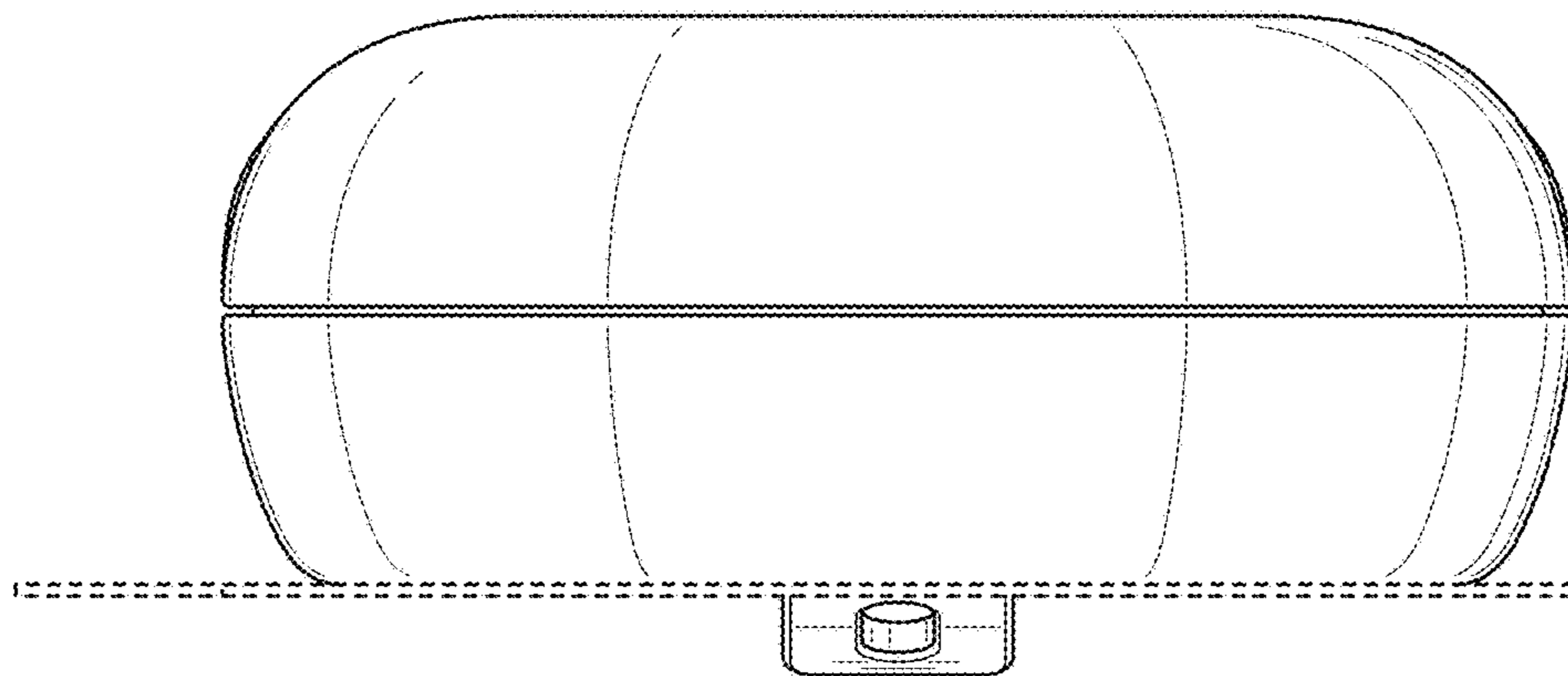


FIG. 7



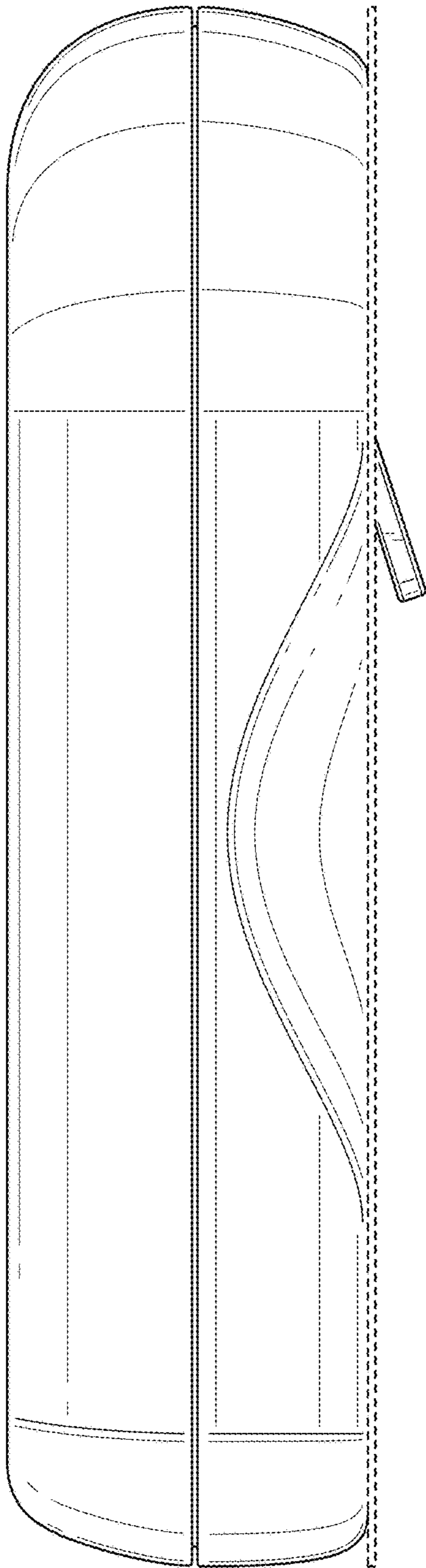


FIG. 8

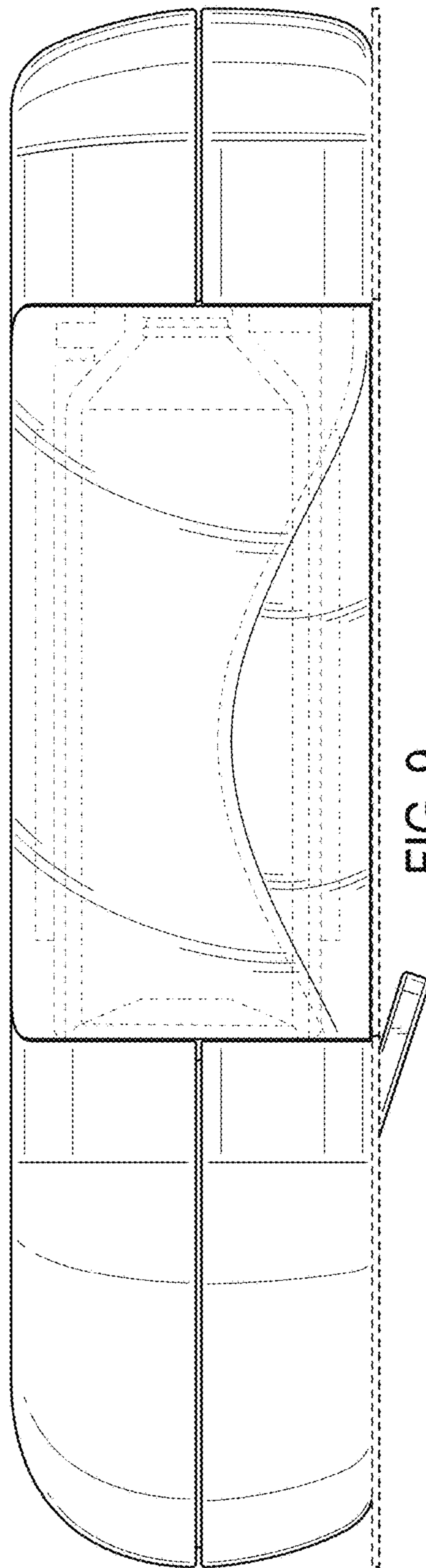


FIG. 9

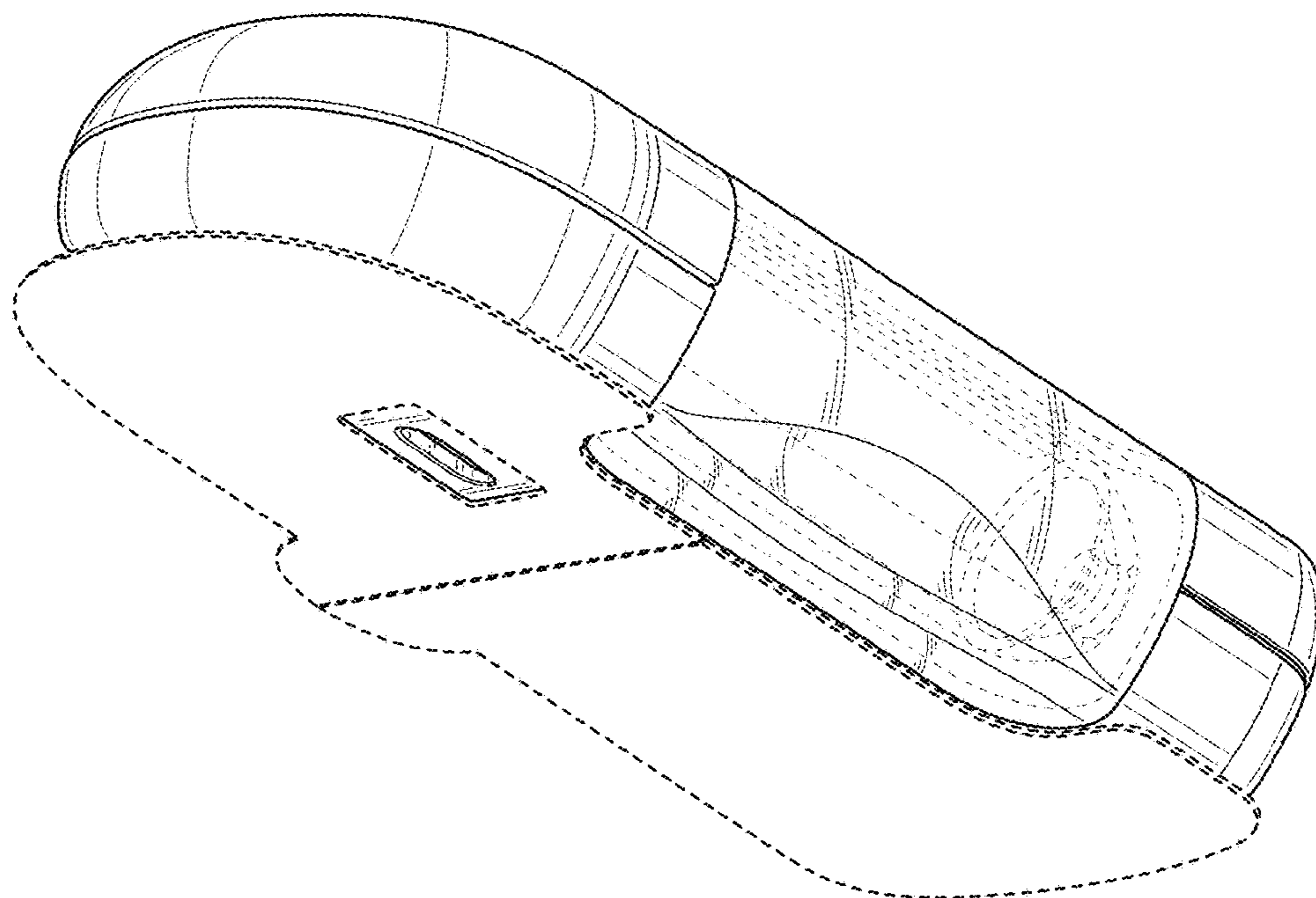


FIG. 10