

US00D865944S

(12) **United States Design Patent**
Yan

(10) **Patent No.:** **US D865,944 S**

(45) **Date of Patent:** **** Nov. 5, 2019**

(54) **ORAL WATER JET**

FOREIGN PATENT DOCUMENTS

(71) Applicant: **Guangdong Roman Technology Co., Ltd.**, DongGuan, GuangDong Province (CN)

CN	304758876	*	8/2018
CN	304836296	*	9/2018
EM	001162697-0001	*	10/2009
EM	004497774-0001	*	12/2017
EM	005317963-0001	*	6/2018
EM	005318318-0001	*	6/2018
EM	336575791	*	6/2019
JP	D1179318	*	7/2003
JP	D1384701	*	4/2010

(72) Inventor: **You-Chun Yan**, DongGuan (CN)

(73) Assignee: **GUANGDONG ROMAN TECHNOLOGY CO., LTD.**, DongGuan, GuangDong, Province (CN)

* cited by examiner

(**) Term: **15 Years**

Primary Examiner — Lilyana Bekic

(21) Appl. No.: **29/654,297**

(74) *Attorney, Agent, or Firm* — Muncy, Geissler, Olds & Lowe, P.C.

(22) Filed: **Jun. 22, 2018**

(51) **LOC (12) Cl.** **24-02**

(57) **CLAIM**

The ornamental design for an oral water jet, as shown and described.

(52) **U.S. Cl.**

DESCRIPTION

USPC **D24/111**

(58) **Field of Classification Search**

USPC D24/108, 111–115, 152, 176; D4/101, D4/102, 110, 111, 138

CPC A61C 17/20; A61C 17/00; A61C 17/005; A61C 17/02; A61C 17/0202; A61C 17/0205; A61C 17/0211; A61C 17/36; A61C 17/028; A61C 17/22; A61C 17/222; A61C 17/225; A61C 17/28

See application file for complete search history.

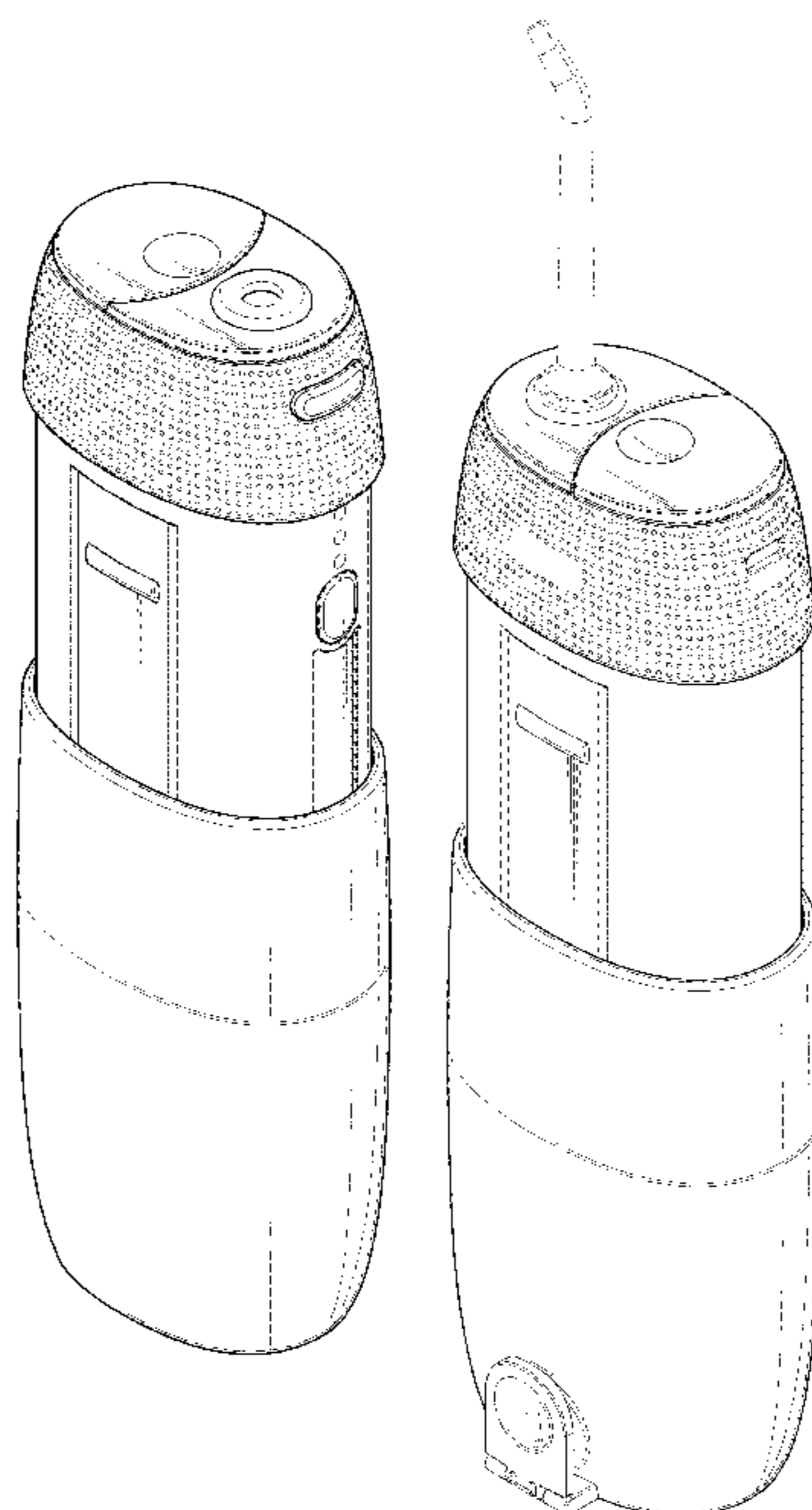
FIG. 1 is a top, front, and right side perspective view of an oral water jet showing my new design; FIG. 2 is a front elevational view thereof; FIG. 3 is a rear elevational view thereof; FIG. 4 is a left side elevational view thereof; FIG. 5 is a right side elevational view thereof; FIG. 6 is a top plan view thereof; FIG. 7 is a bottom plan view thereof; FIG. 8 is bottom, rear, and right side perspective view thereof; and, FIG. 9 is a top, rear, and left side perspective view thereof, shown in an environment of use with a tip installed. The broken line showing of the tip in FIG. 9 depicts environmental structure and forms no part of the claimed design.

(56) **References Cited**

U.S. PATENT DOCUMENTS

D373,631 S	*	9/1996	Maeda	D24/111
D413,975 S	*	9/1999	Maeda	D24/111
D625,406 S	*	10/2010	Seki	D24/111

1 Claim, 7 Drawing Sheets



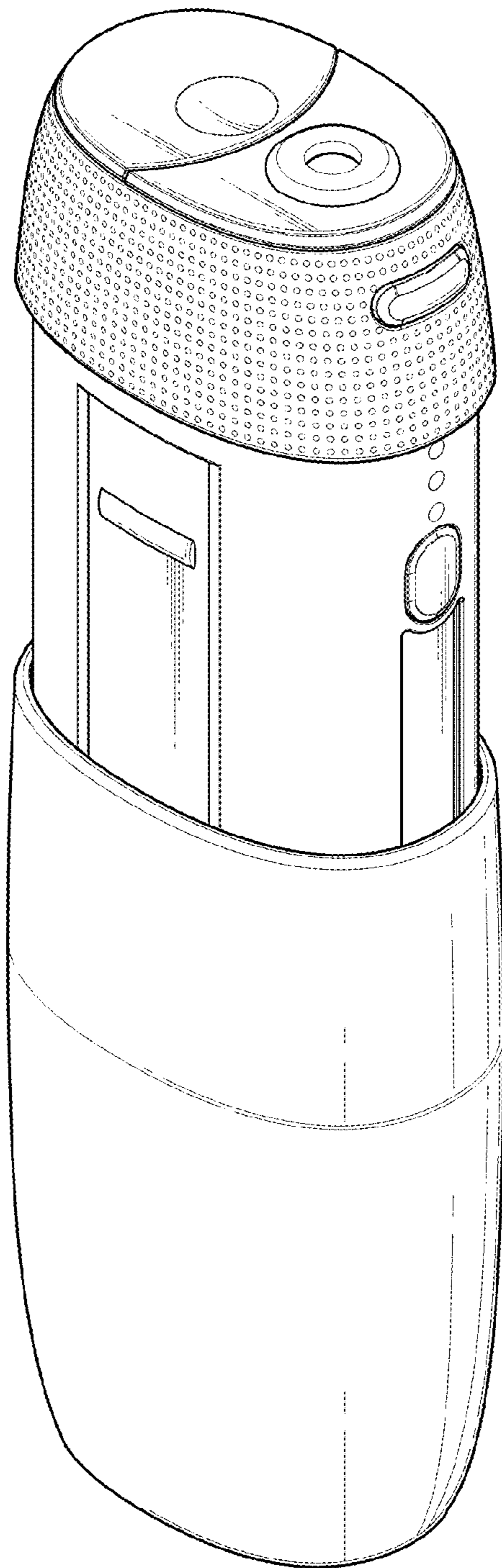


Fig. 1

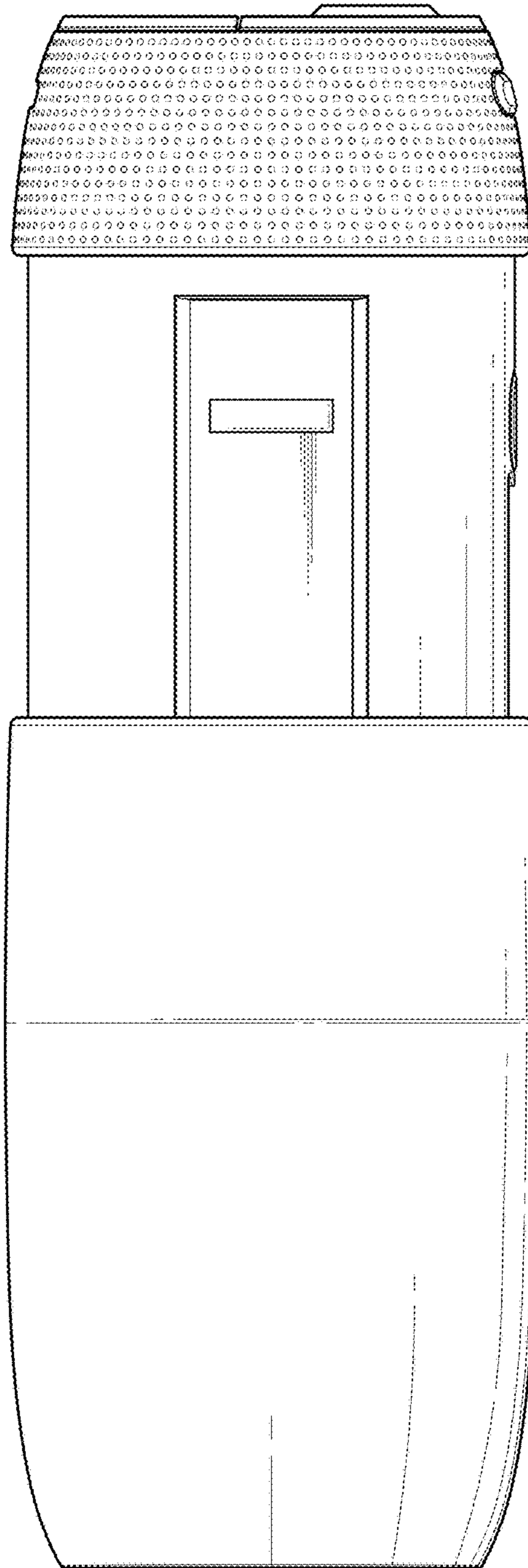


Fig. 2

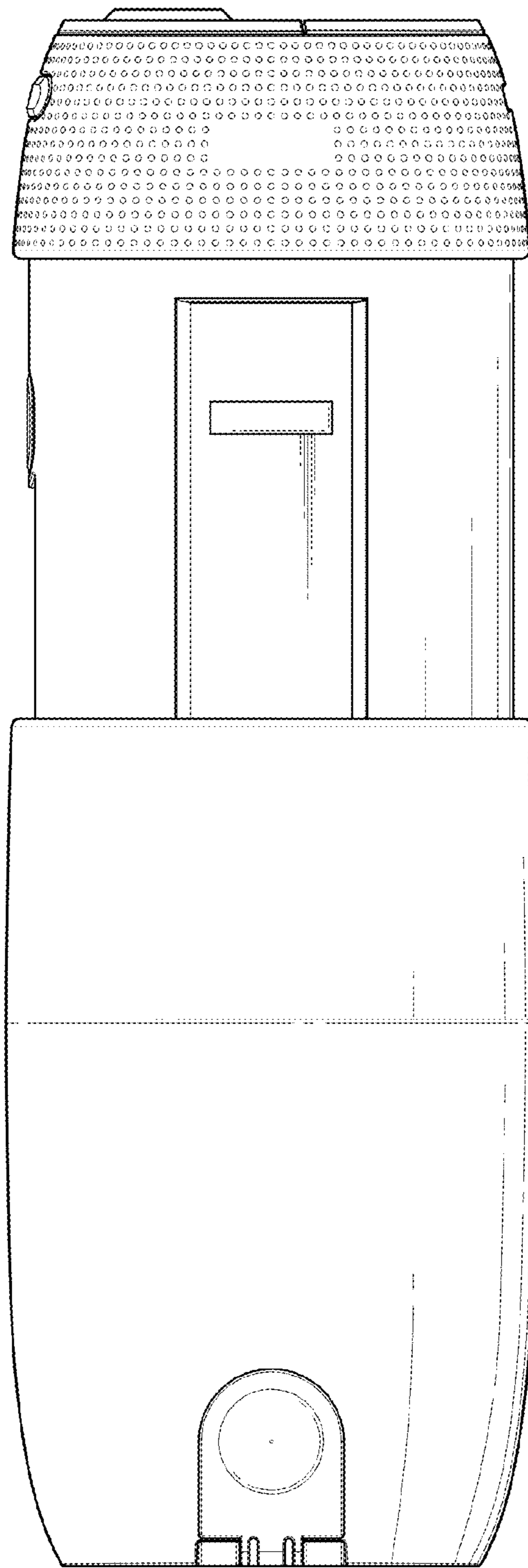


Fig. 3

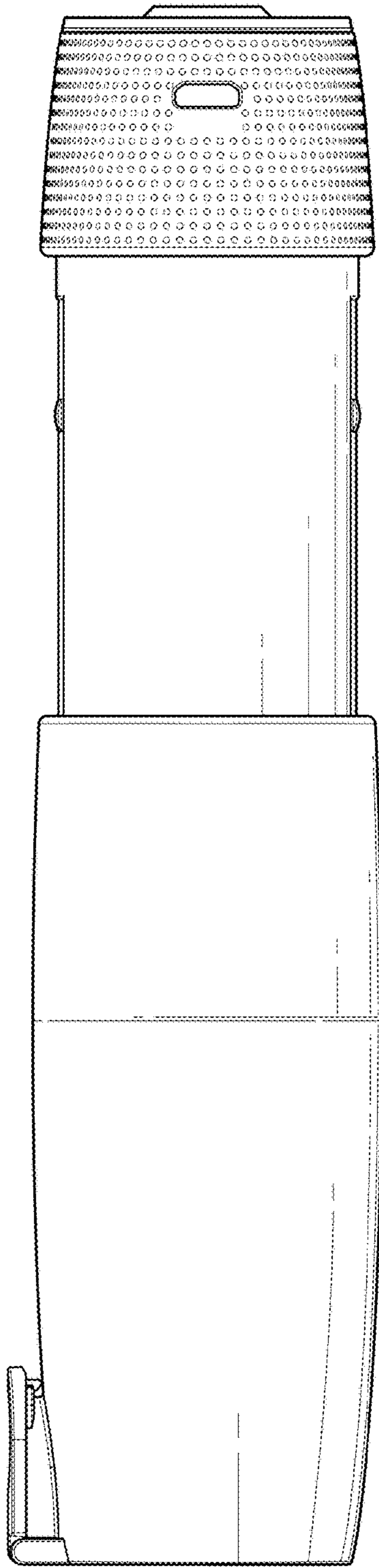


Fig. 4

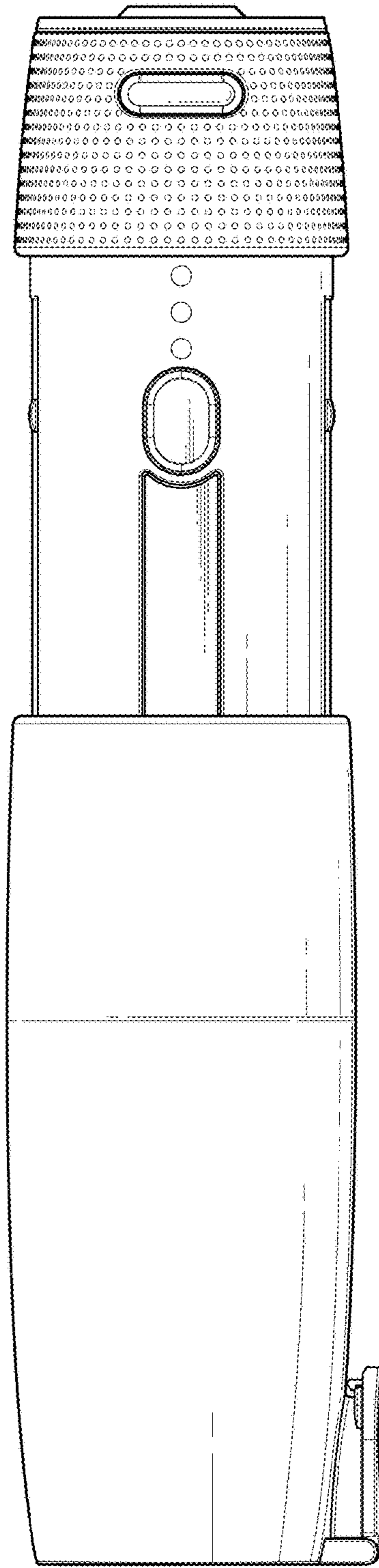


Fig. 5

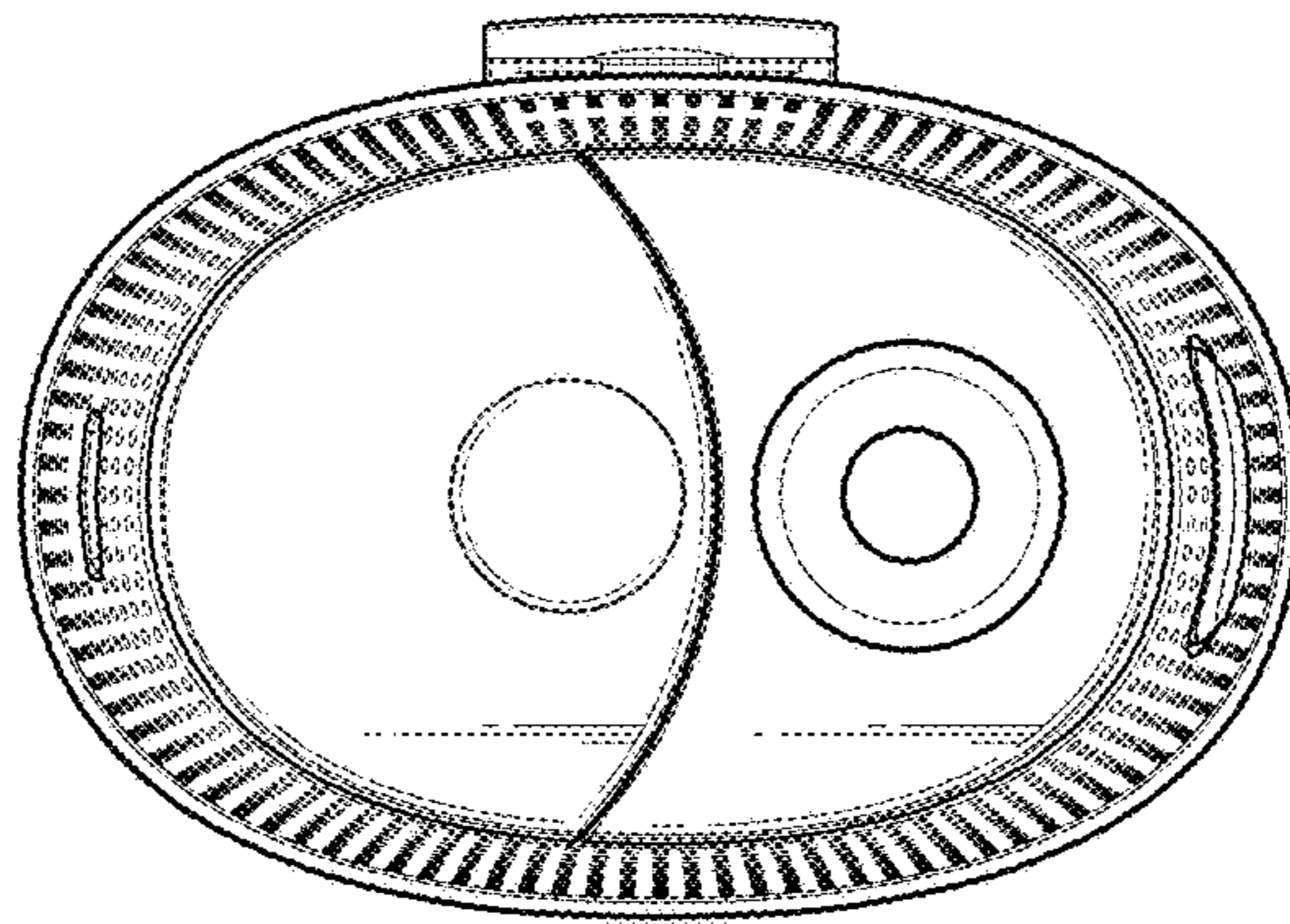


Fig. 6

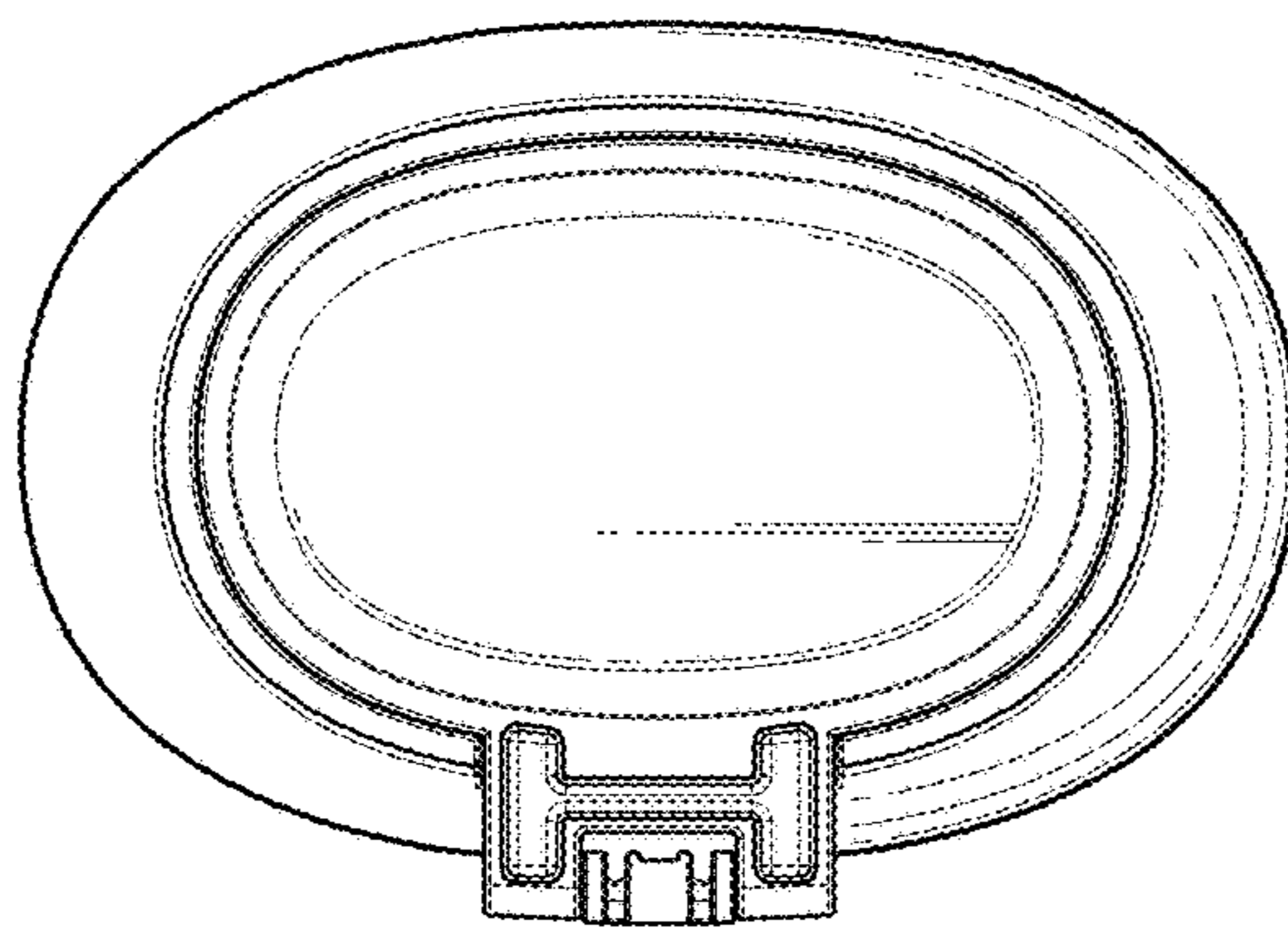


Fig. 7

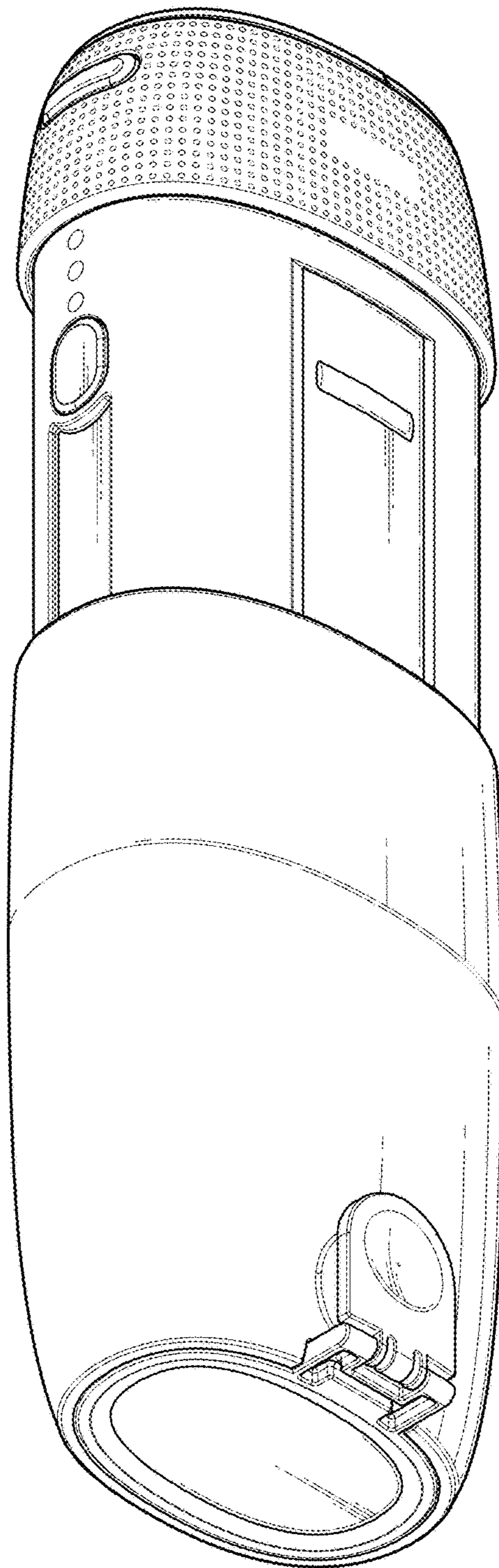


Fig. 8

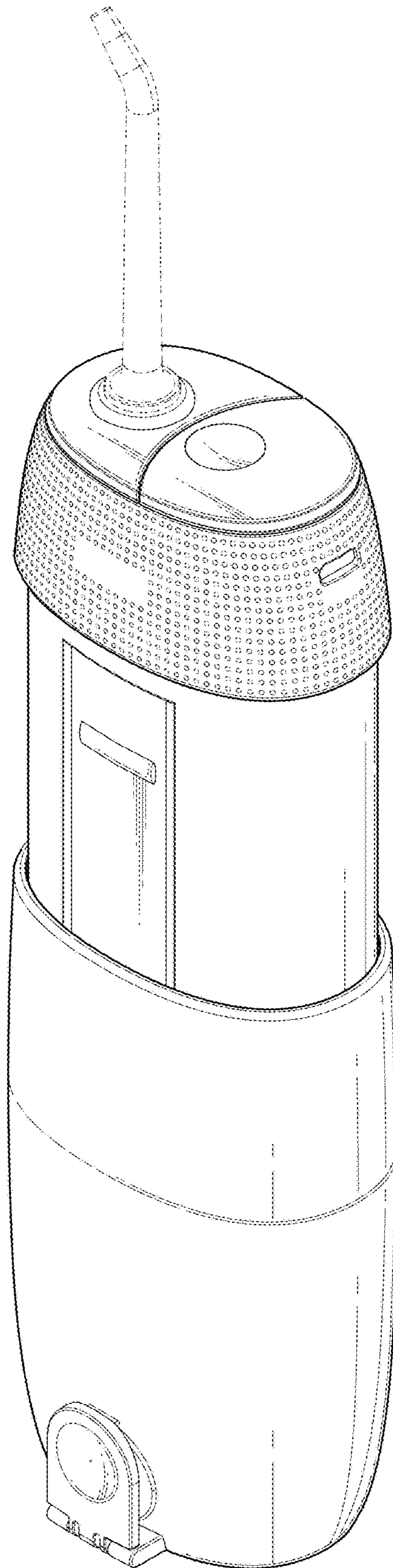


Fig. 9