



US00D865941S

(12) **United States Design Patent**
Beaman et al.

(10) **Patent No.:** **US D865,941 S**

(45) **Date of Patent:** **** Nov. 5, 2019**

(54) **BRACKET ASSEMBLY**

(71) Applicant: **Home Depot Product Authority, LLC**,
Atlanta, GA (US)

(72) Inventors: **Brett D. Beaman**, Atlanta, GA (US);
Adam Green, Atlanta, GA (US);
Richard A. Pulliam, Atlanta, GA (US)

(73) Assignee: **Home Depot Product Authority, LLC**,
Atlanta, GA (US)

(**) Term: **15 Years**

(21) Appl. No.: **29/624,562**

(22) Filed: **Nov. 2, 2017**

(51) **LOC (12) Cl.** **23-03**

(52) **U.S. Cl.**
USPC **D23/411**

(58) **Field of Classification Search**
USPC D23/370–385, 411–414; D13/158, 162
CPC F04D 29/38; F04D 29/384; F04D 29/386;
F04D 25/088; F21V 33/0096
See application file for complete search history.

(56) **References Cited**

U.S. PATENT DOCUMENTS

D39,419 S *	7/1908	Snyder	D23/411
D312,686 S *	12/1990	Weber	D23/377
5,613,832 A *	3/1997	Su	F04D 25/088 248/343
5,658,129 A *	8/1997	Pearce	F04D 25/088 416/146 R
D398,984 S *	9/1998	Freeman	D12/400
D408,906 S *	4/1999	Toscano	D23/385
5,947,436 A *	9/1999	Bucher	F04D 29/601 248/27.1
6,171,061 B1 *	1/2001	Hsu	F04D 25/088 416/244 R
6,171,062 B1 *	1/2001	Bucher	F04D 25/088 248/222.51
D483,108 S *	12/2003	Frampton	D23/411
D582,028 S *	12/2008	Lai	D23/377

(Continued)

OTHER PUBLICATIONS

The combination bracket and canopy shown in the attached photos was offered for sale in the US at least as early as Sep. 11, 2017, 10 pgs.

Primary Examiner — Cathron C Brooks

Assistant Examiner — Sharon S Oum

(74) *Attorney, Agent, or Firm* — Greenberg Traurig, LLP

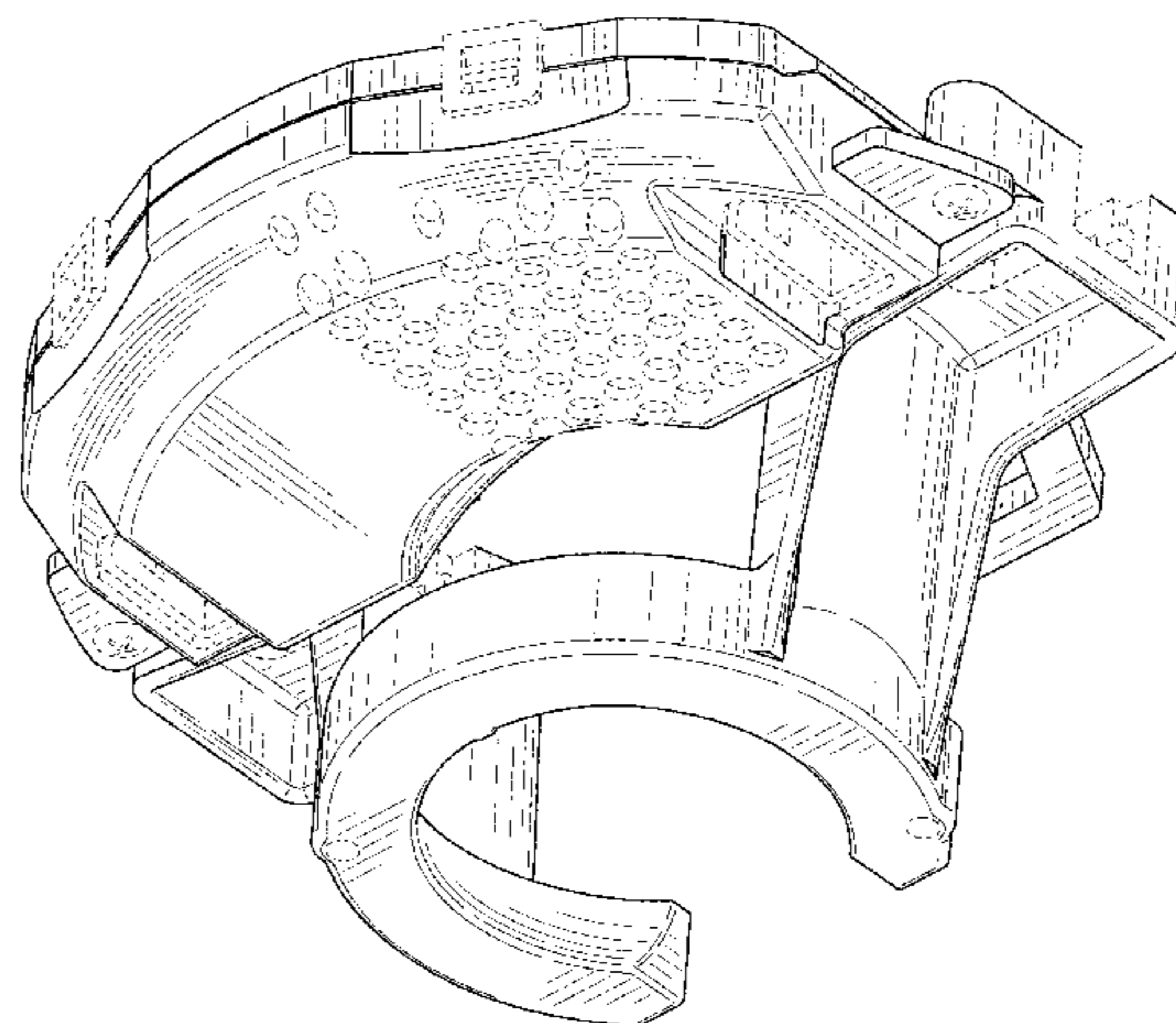
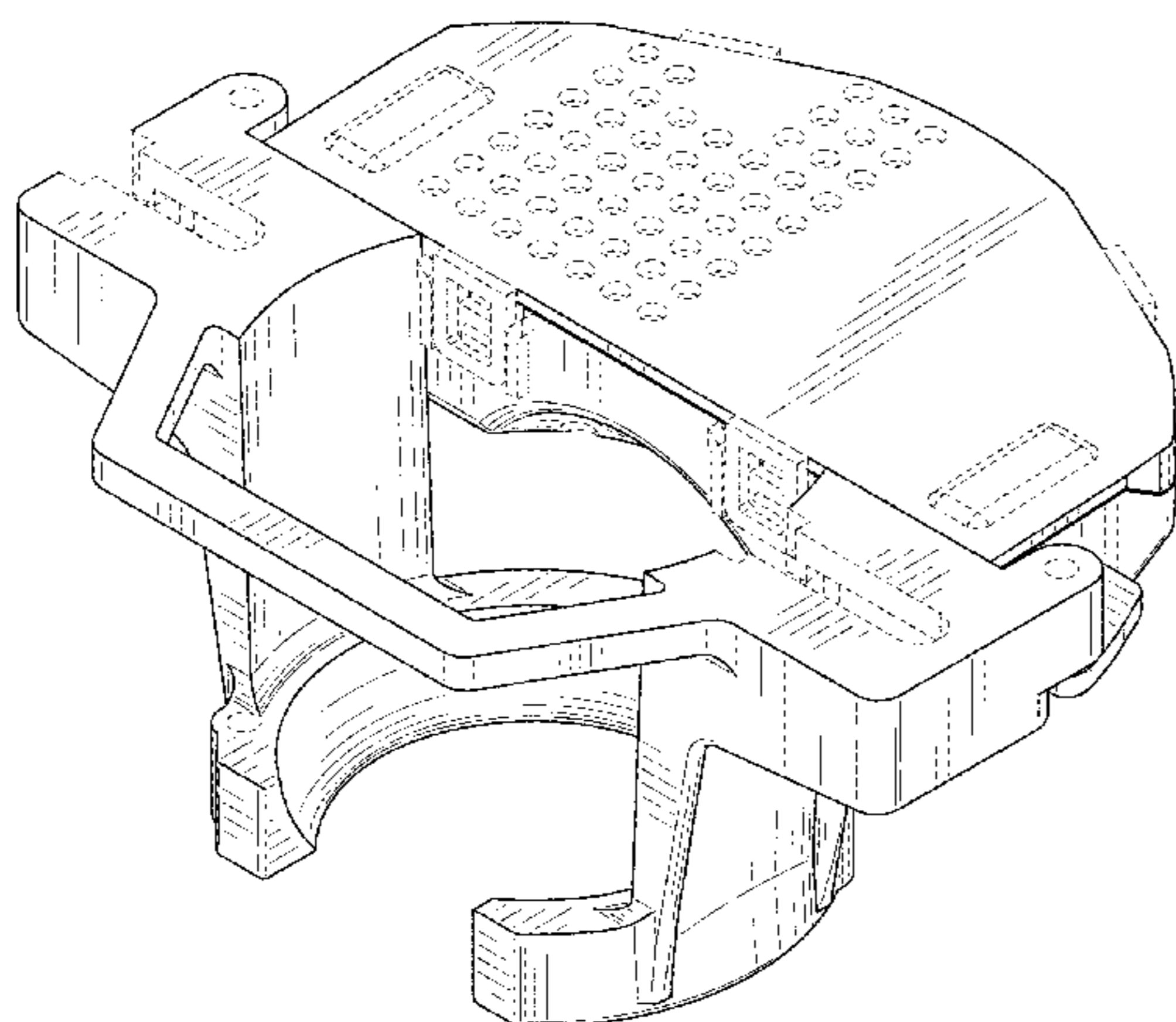
(57) **CLAIM**

The ornamental design for a bracket assembly, as shown and described.

DESCRIPTION

FIG. 1 is a front perspective view of a first embodiment of our bracket assembly;
FIG. 2 is a front view thereof;
FIG. 3 is a back view thereof;
FIG. 4 is a left side view thereof;
FIG. 5 is a right side view thereof;
FIG. 6 is a top view thereof;
FIG. 7 is a bottom view thereof;
FIG. 8 is a rear perspective view thereof;
FIG. 9 is a front perspective view of a second embodiment of our bracket assembly;
FIG. 10 is a front view thereof;
FIG. 11 is a back view thereof;
FIG. 12 is a left side view thereof;
FIG. 13 is a right side view thereof;
FIG. 14 is a top view thereof;
FIG. 15 is a bottom view thereof; and,
FIG. 16 is a rear perspective view thereof.
The dashed lines illustrate portions of the bracket assembly and form no part of the claimed design. The long-short dashed lines illustrate boundary lines and form no part of the claimed design.

1 Claim, 12 Drawing Sheets



(56)

References Cited

U.S. PATENT DOCUMENTS

7,540,461 B2 * 6/2009 Liang F04D 25/088
248/342
8,033,787 B1 * 10/2011 Miller F04D 29/054
416/146 R
D676,951 S * 2/2013 Winkler D23/370
D704,818 S * 5/2014 Allen D23/411
9,453,517 B1 * 9/2016 Burns F04D 25/088
9,897,095 B2 * 2/2018 Botkin F04D 25/088
2011/0033309 A1 * 2/2011 Chen F04D 25/088
416/244 R
2013/0251522 A1 * 9/2013 Oleson F01D 25/28
415/213.1
2015/0090858 A1 * 4/2015 Broughman F04D 25/088
248/674
2015/0176604 A1 * 6/2015 Lin F04D 19/002
248/634
2016/0047391 A1 * 2/2016 McPherson F04D 25/0693
417/423.7
2016/0111816 A1 * 4/2016 Walker F04D 25/0693
2016/0319842 A1 * 11/2016 Botkin F04D 29/601
2017/0204869 A1 * 7/2017 Horng F04D 25/0693
2017/0248148 A1 * 8/2017 Kohen F21V 33/0092
2018/0347590 A1 * 12/2018 Beaman F04D 29/646

* cited by examiner

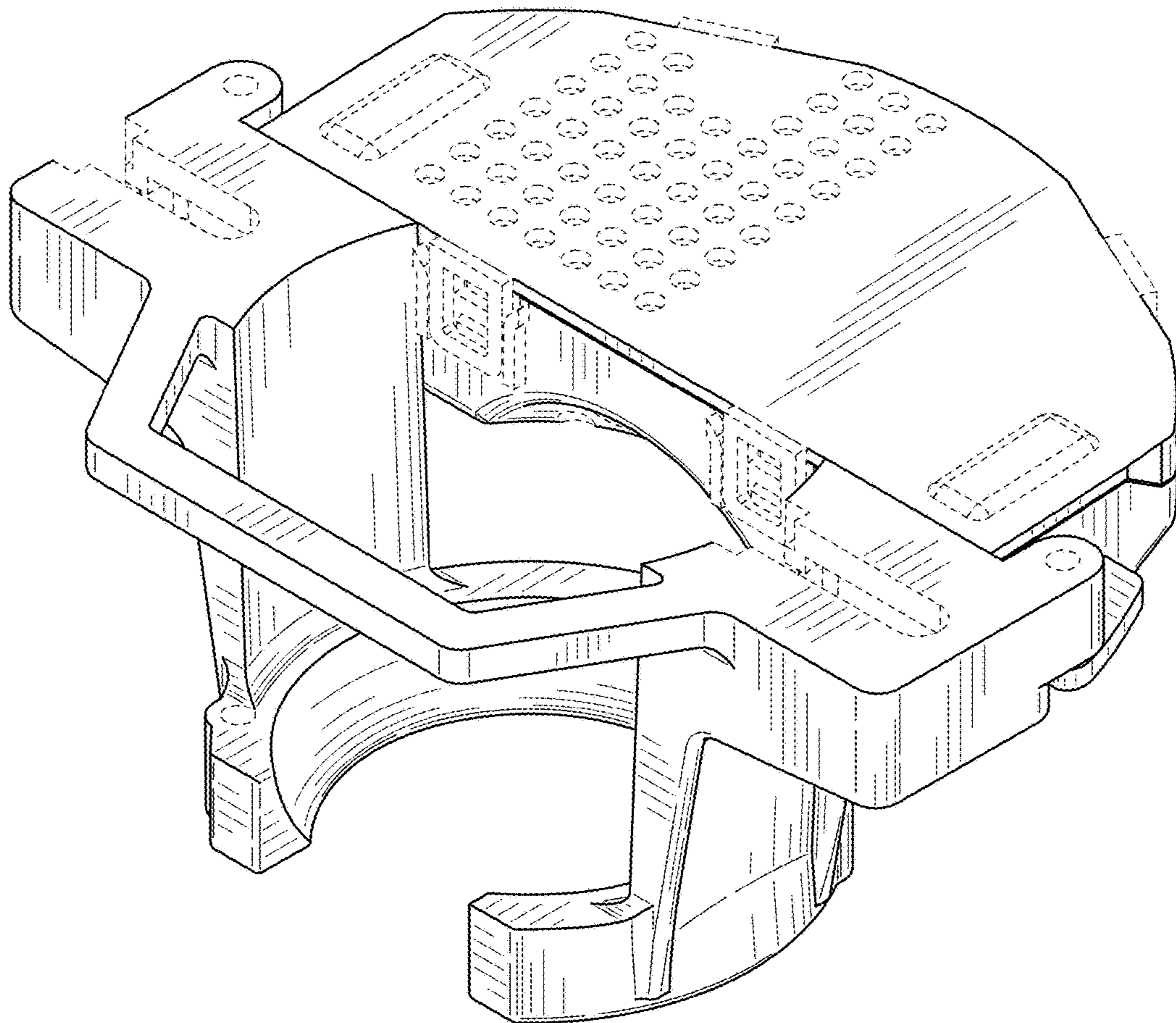


FIG. 1

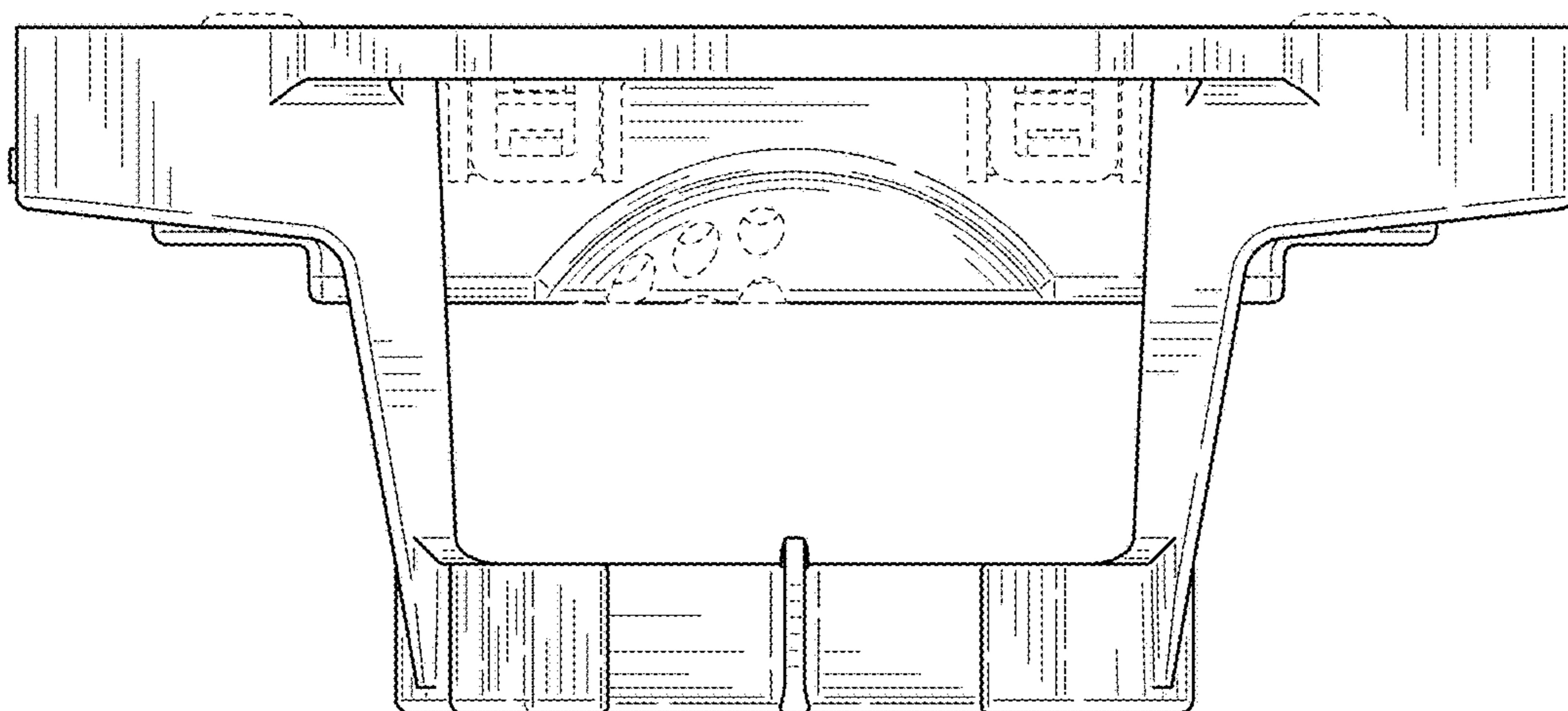


FIG. 2

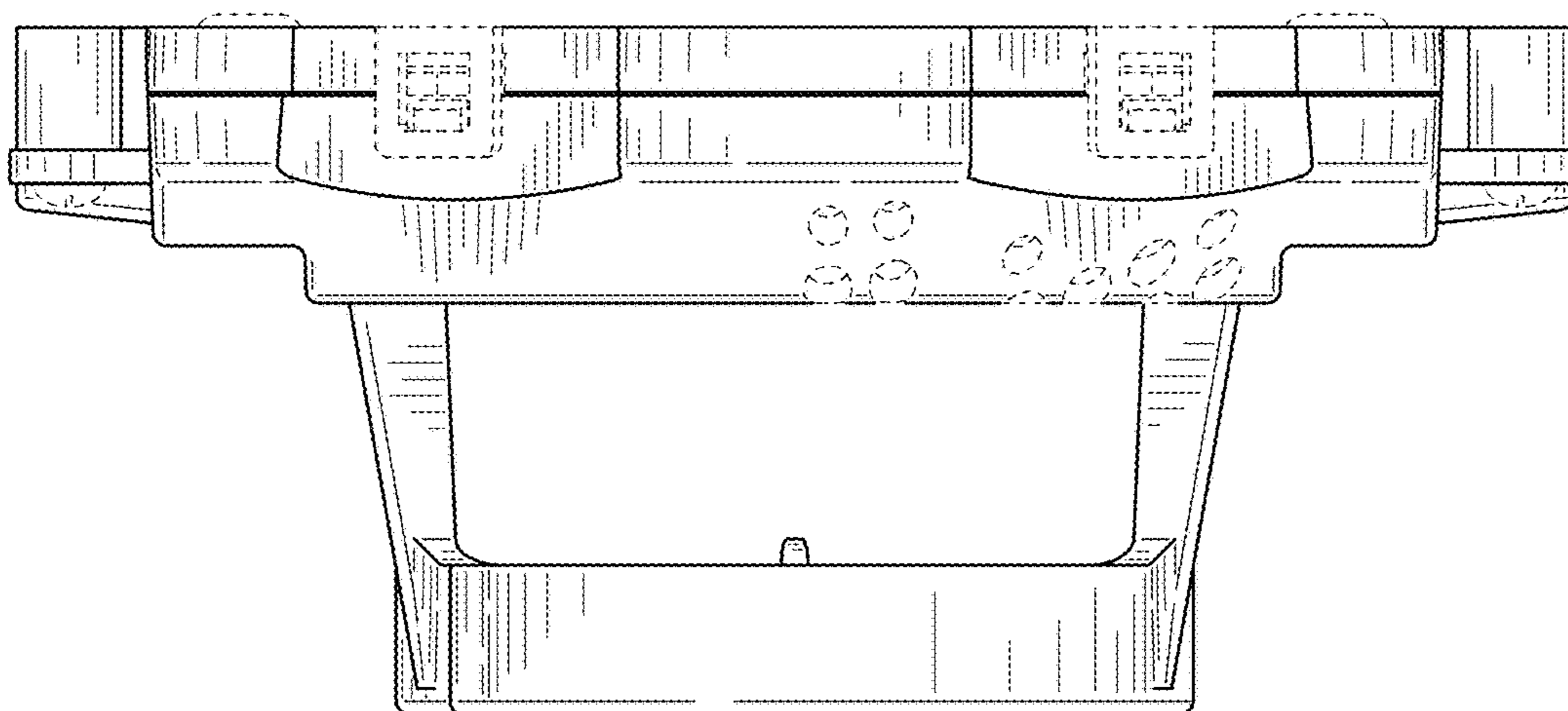


FIG. 3

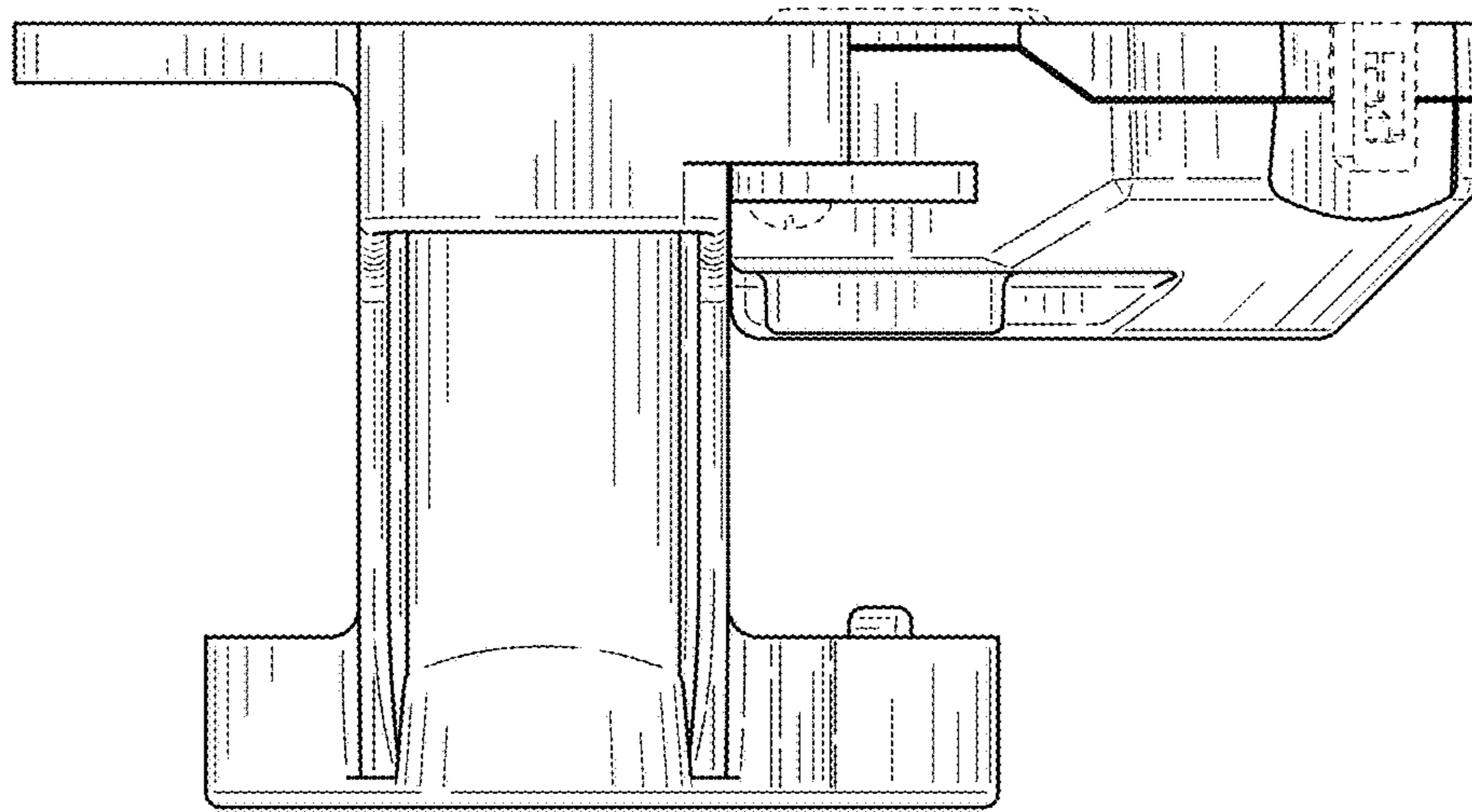


FIG. 4

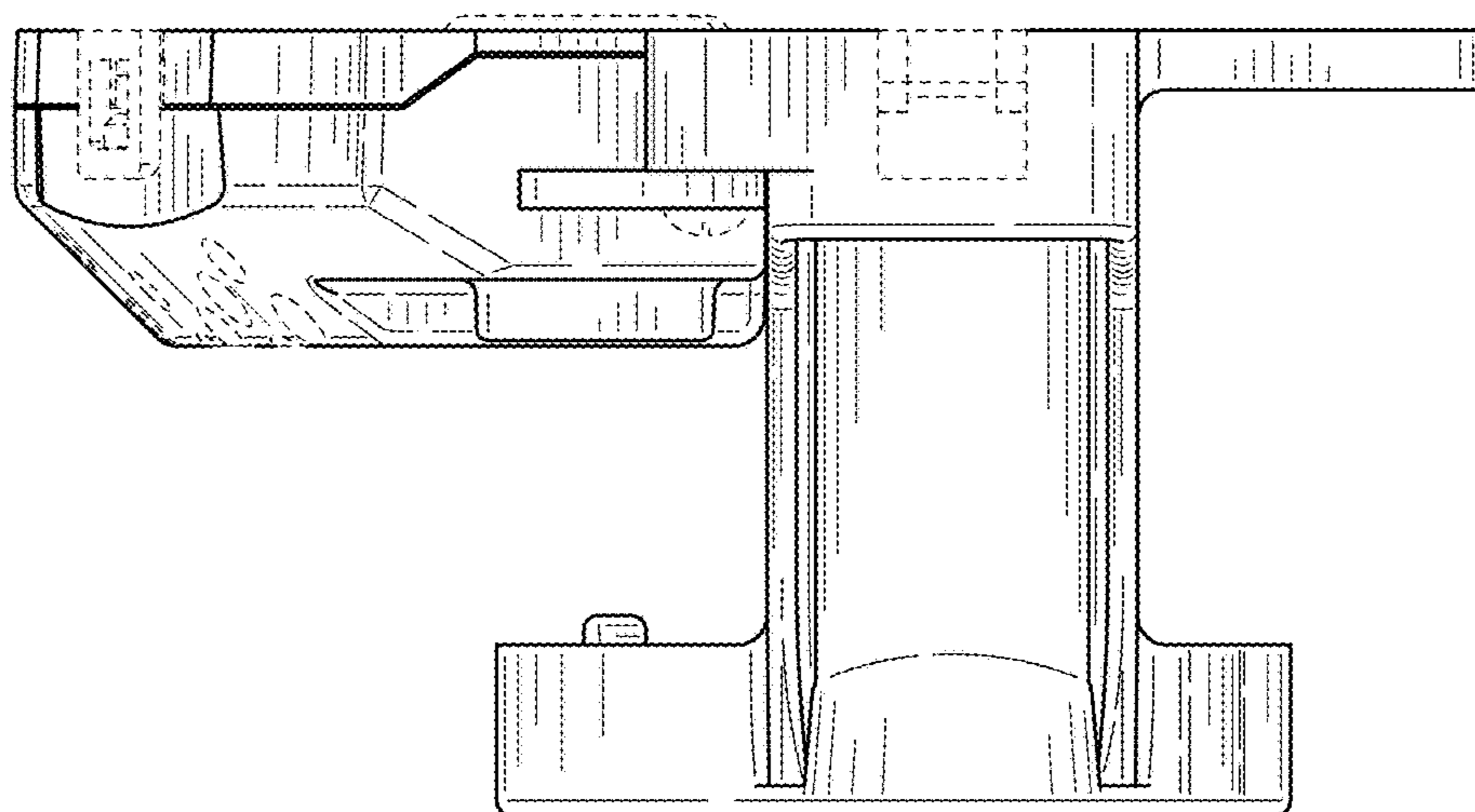


FIG. 5

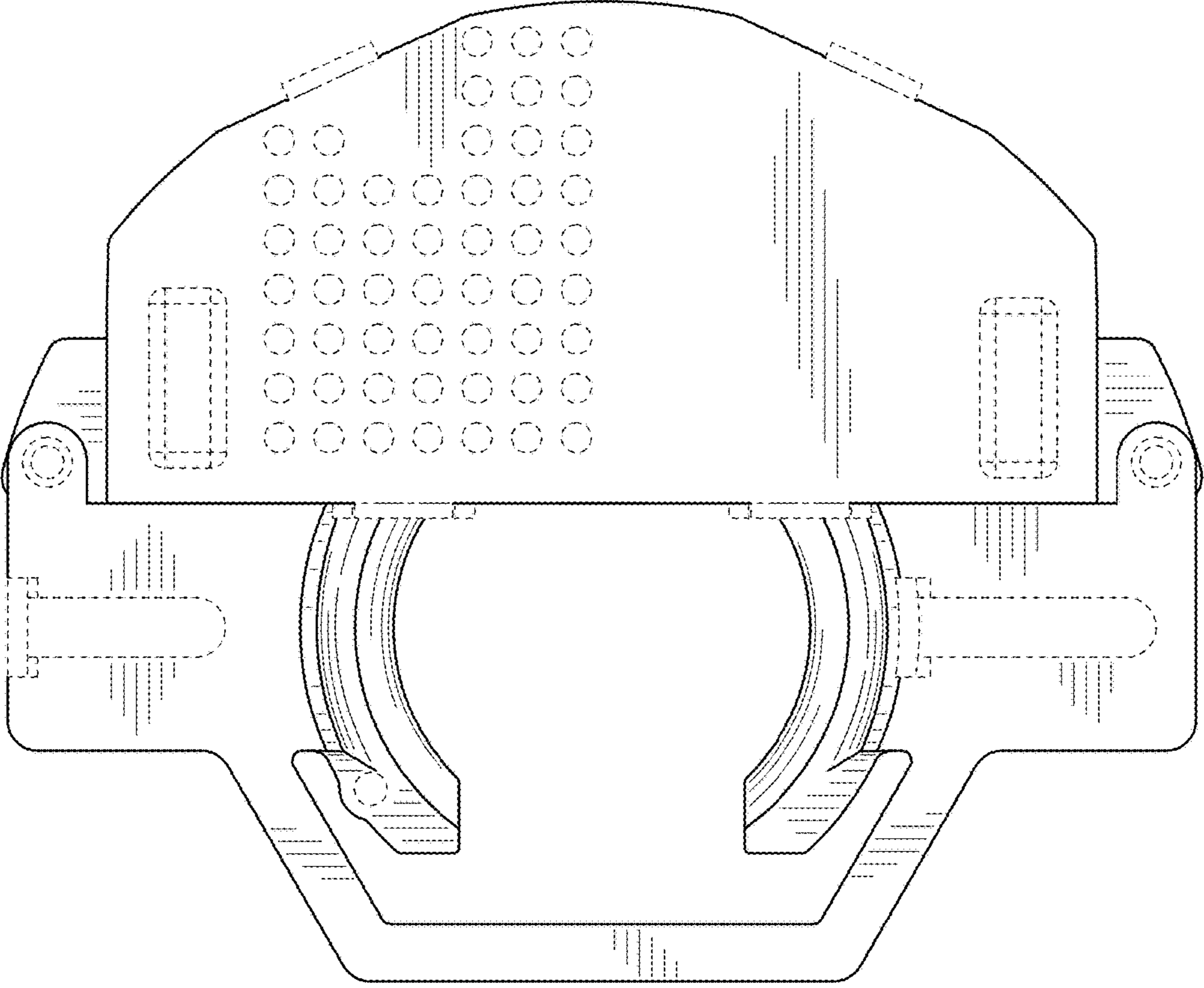


FIG. 6

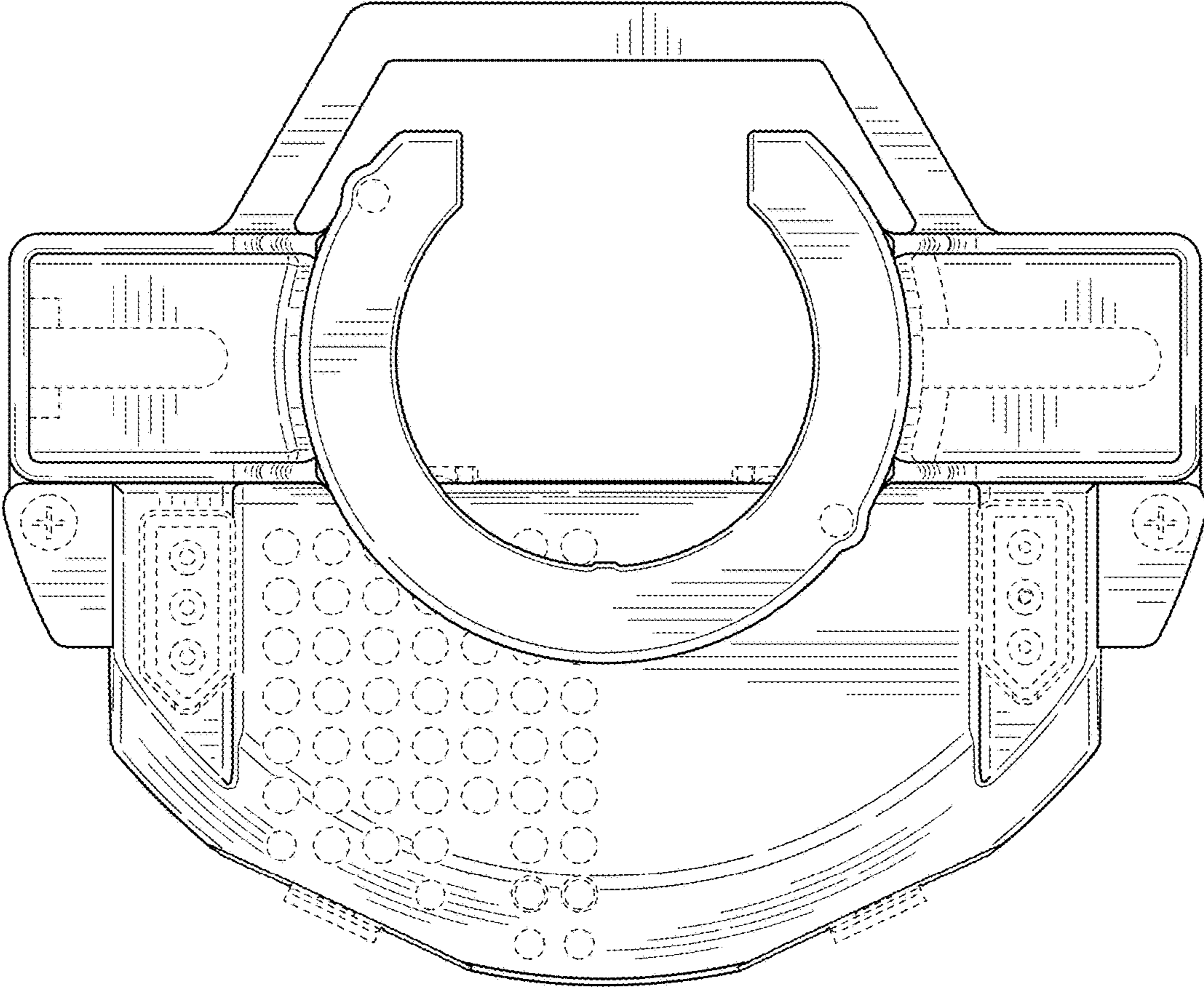


FIG. 7

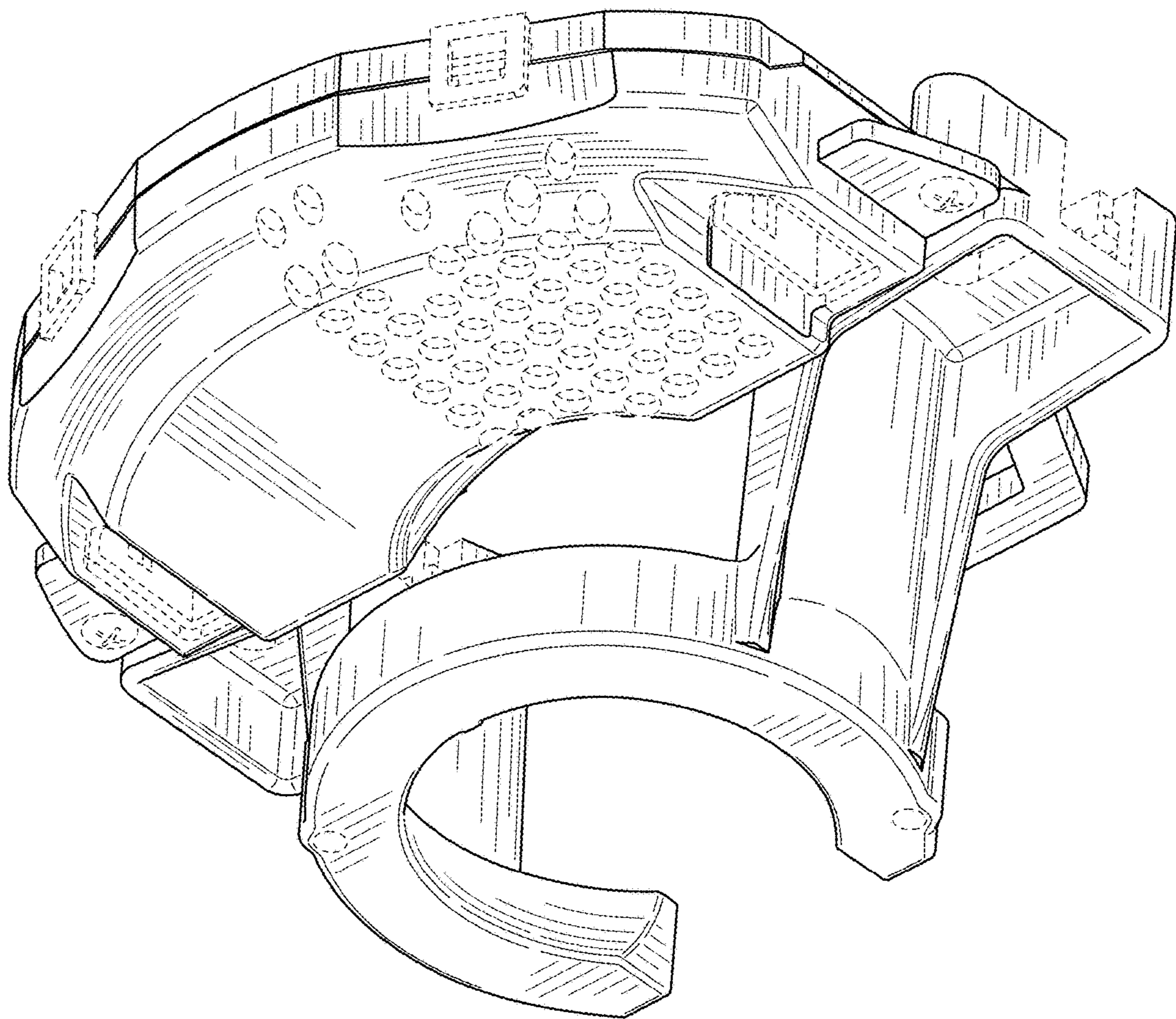


FIG. 8

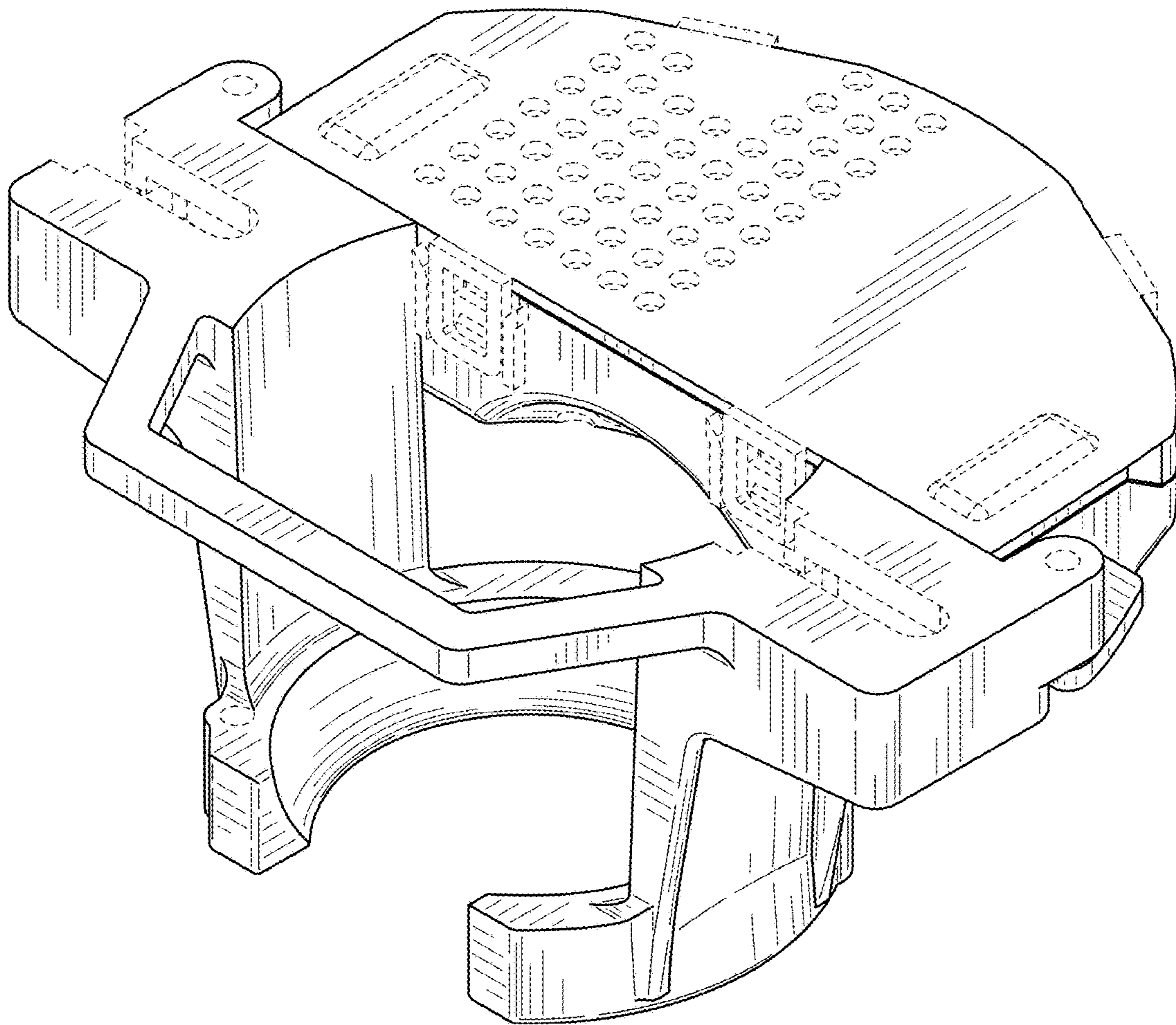


FIG. 9

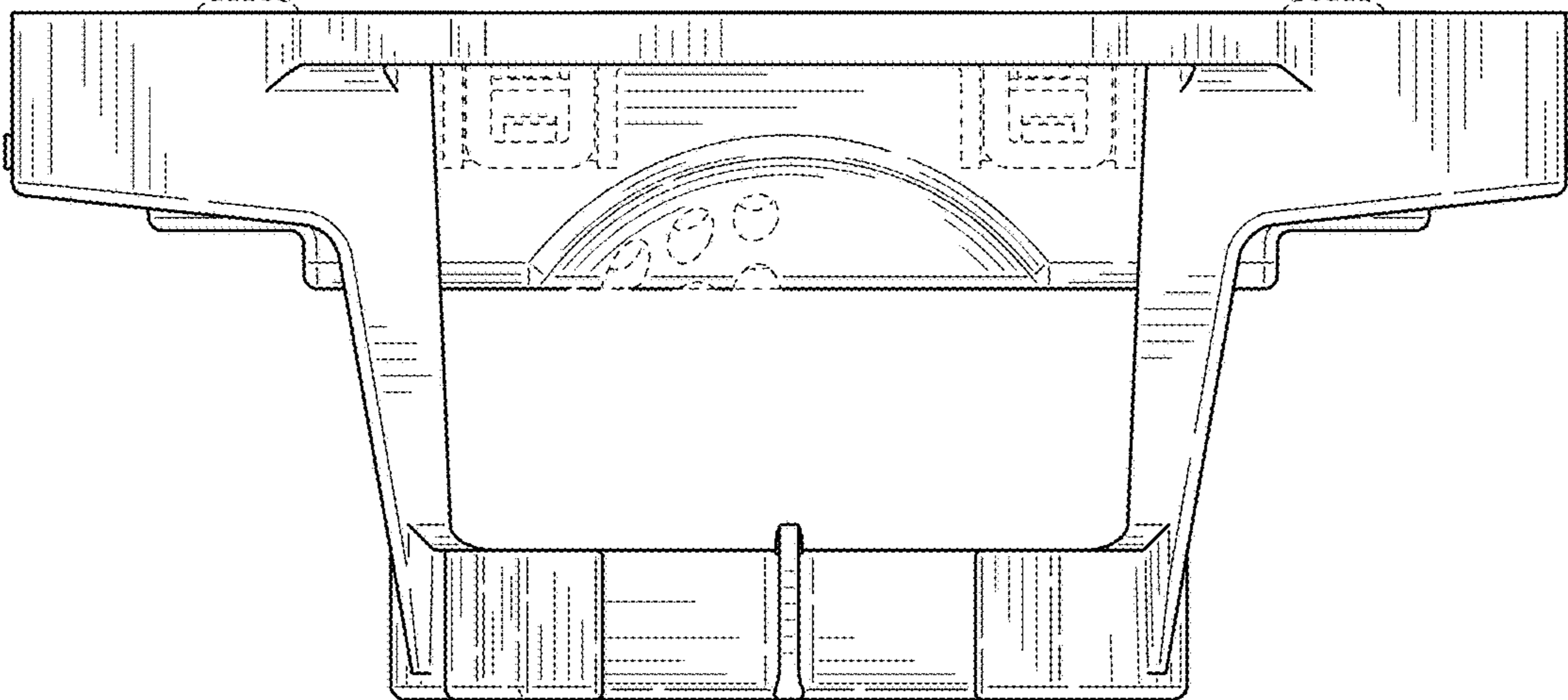


FIG. 10

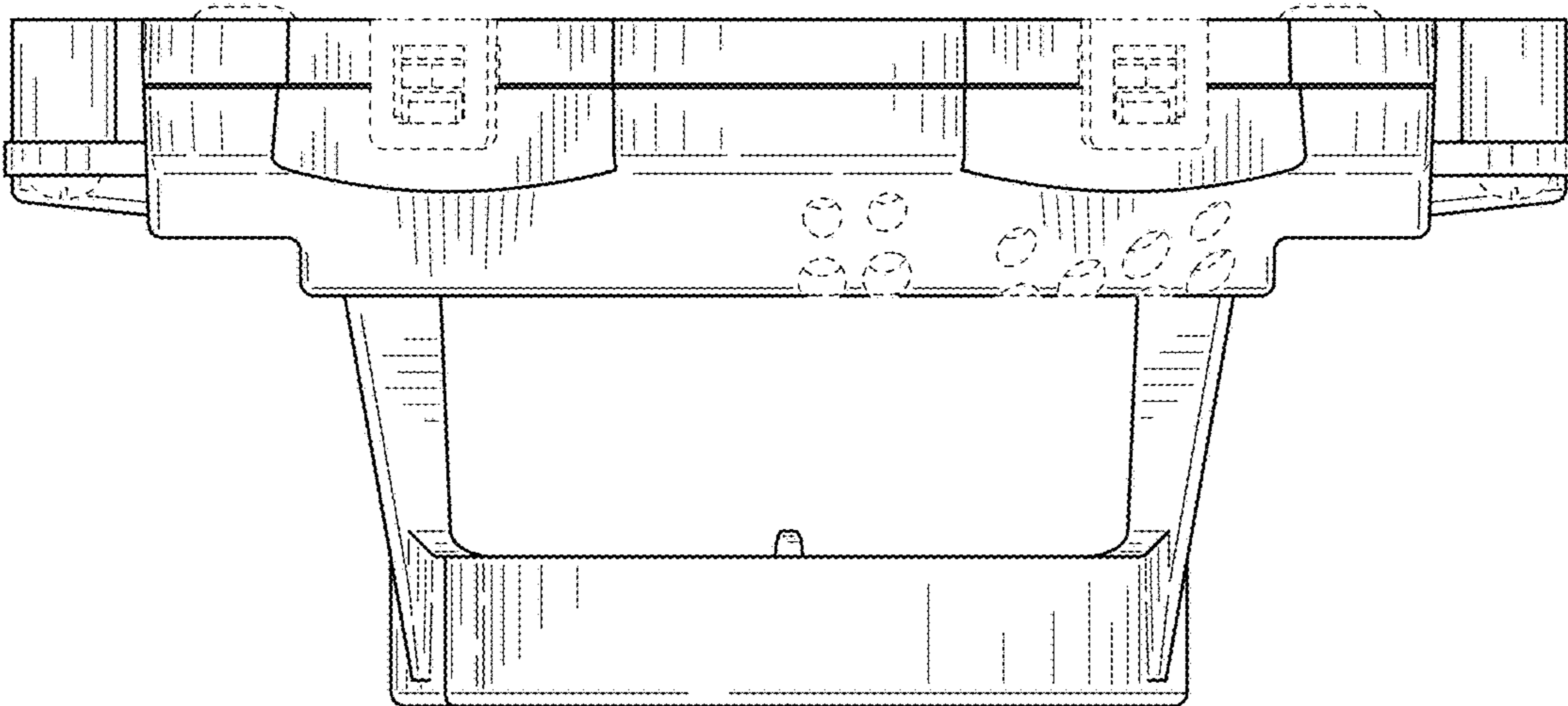


FIG. 11

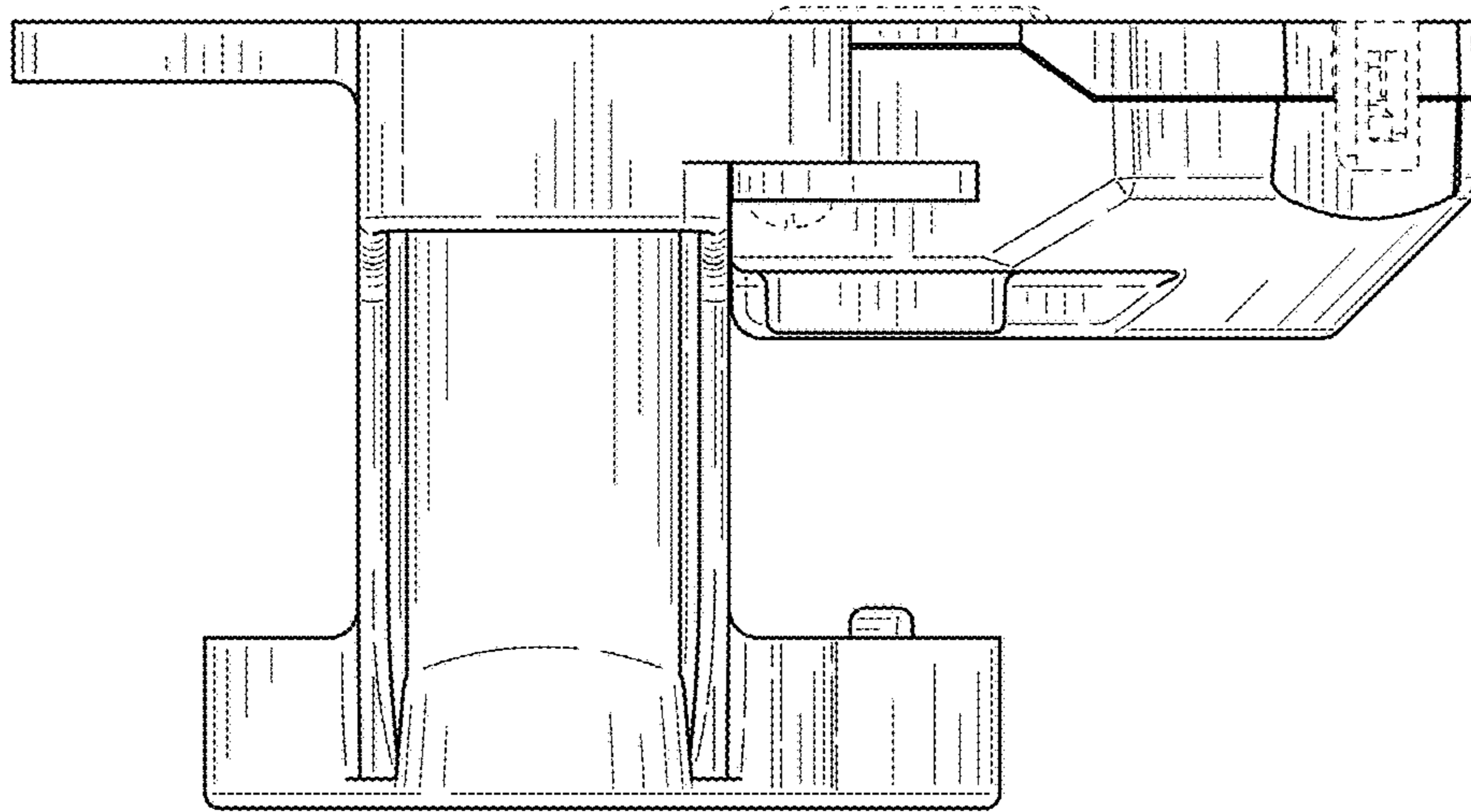


FIG. 12

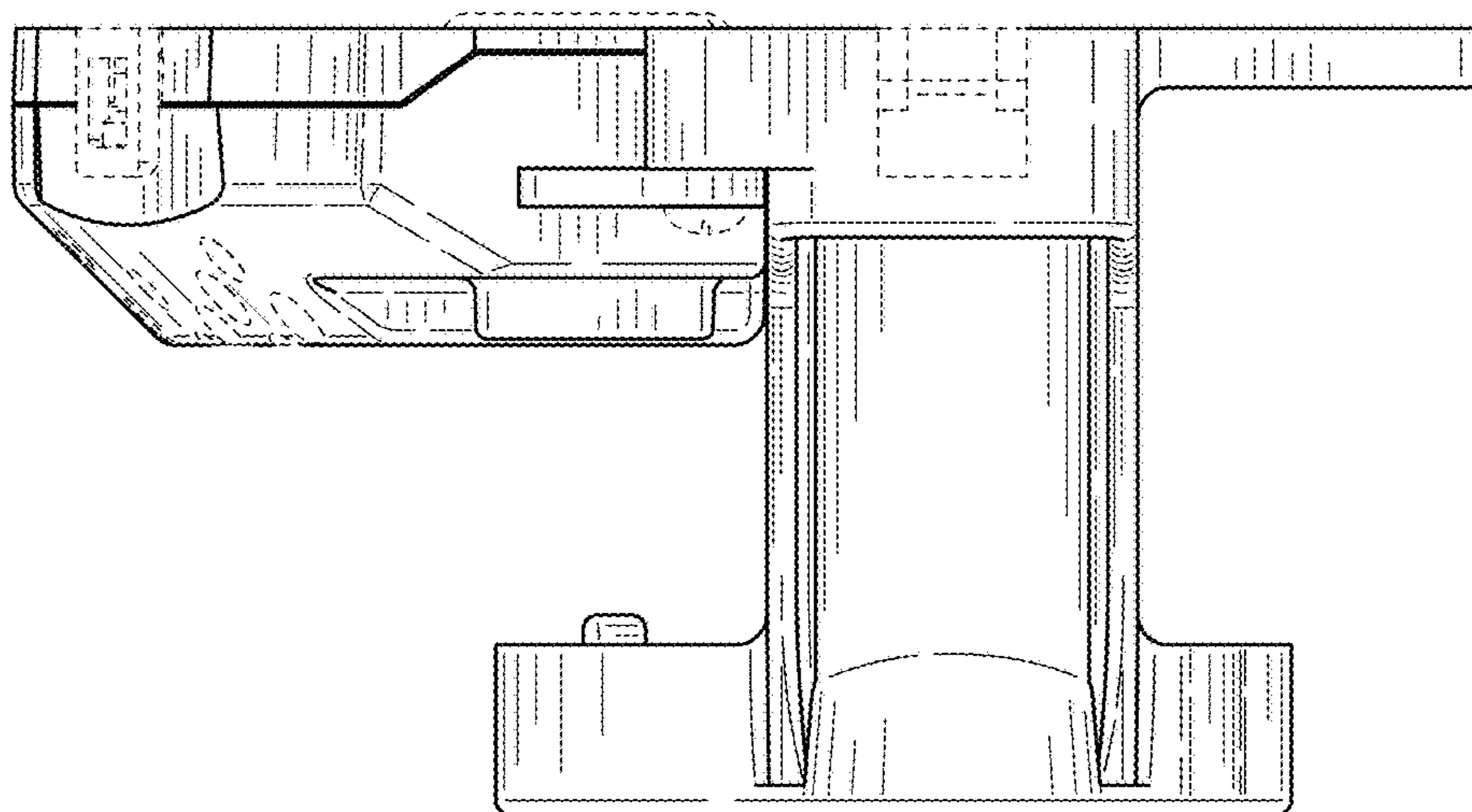


FIG. 13

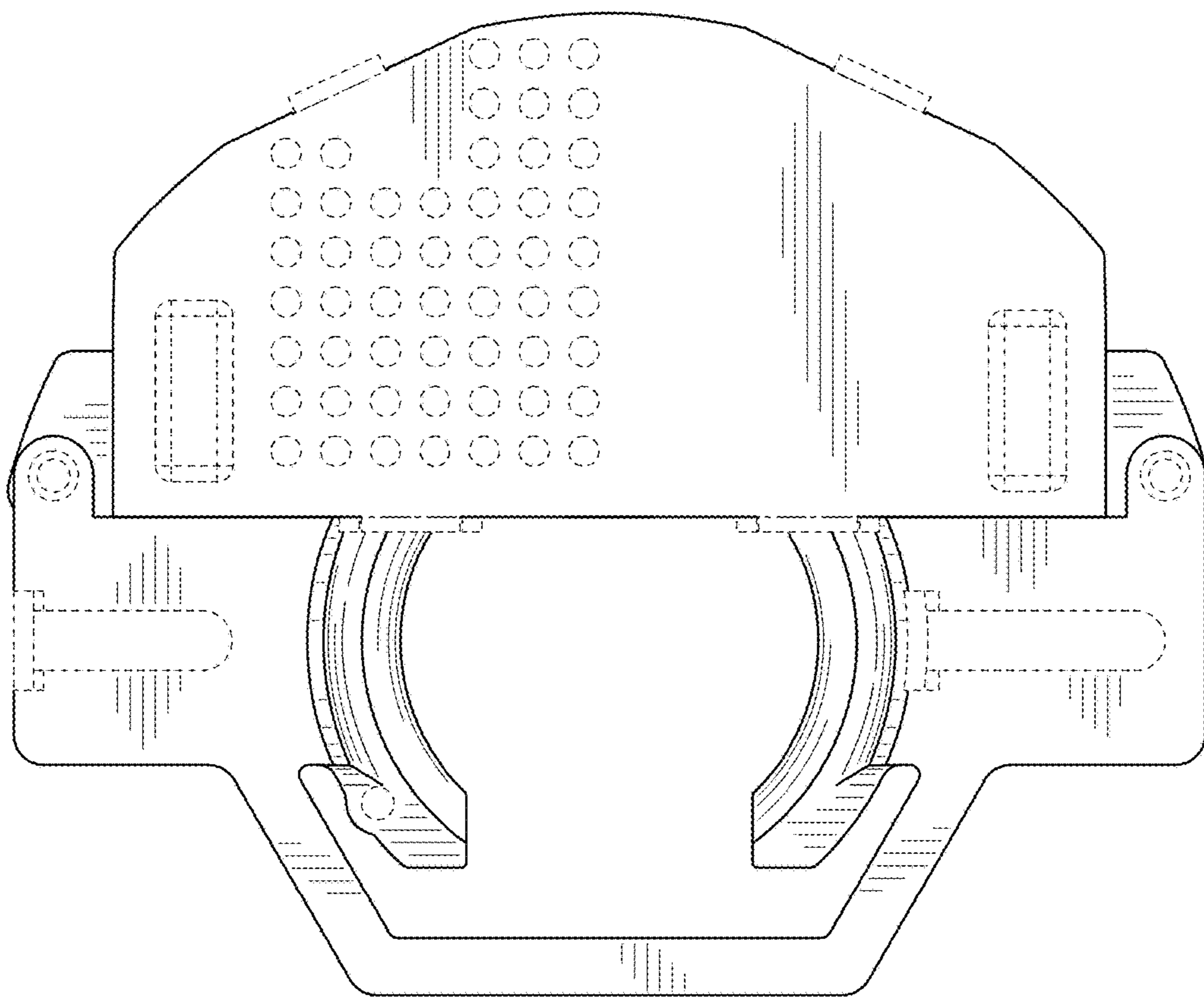


FIG. 14

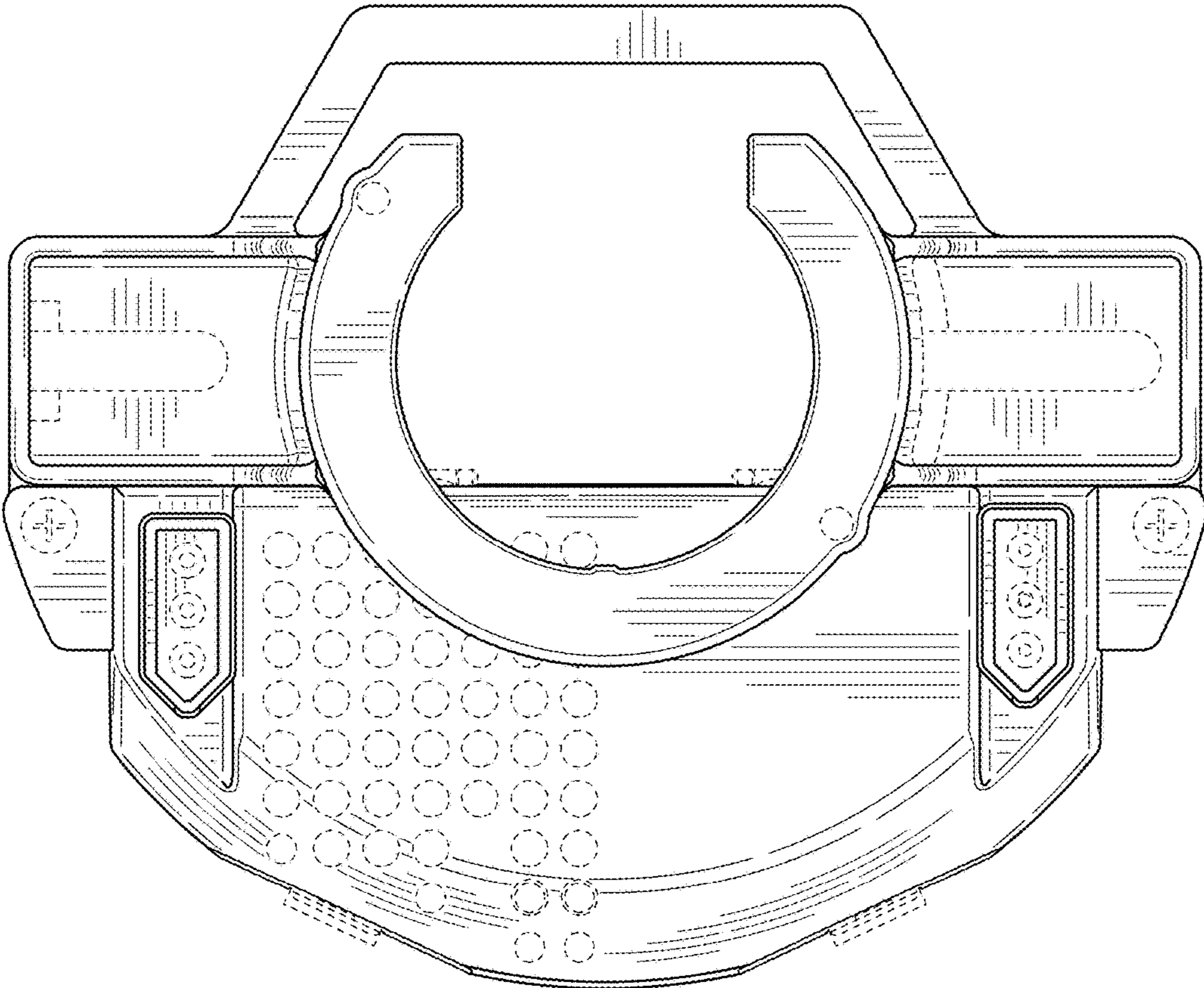


FIG. 15

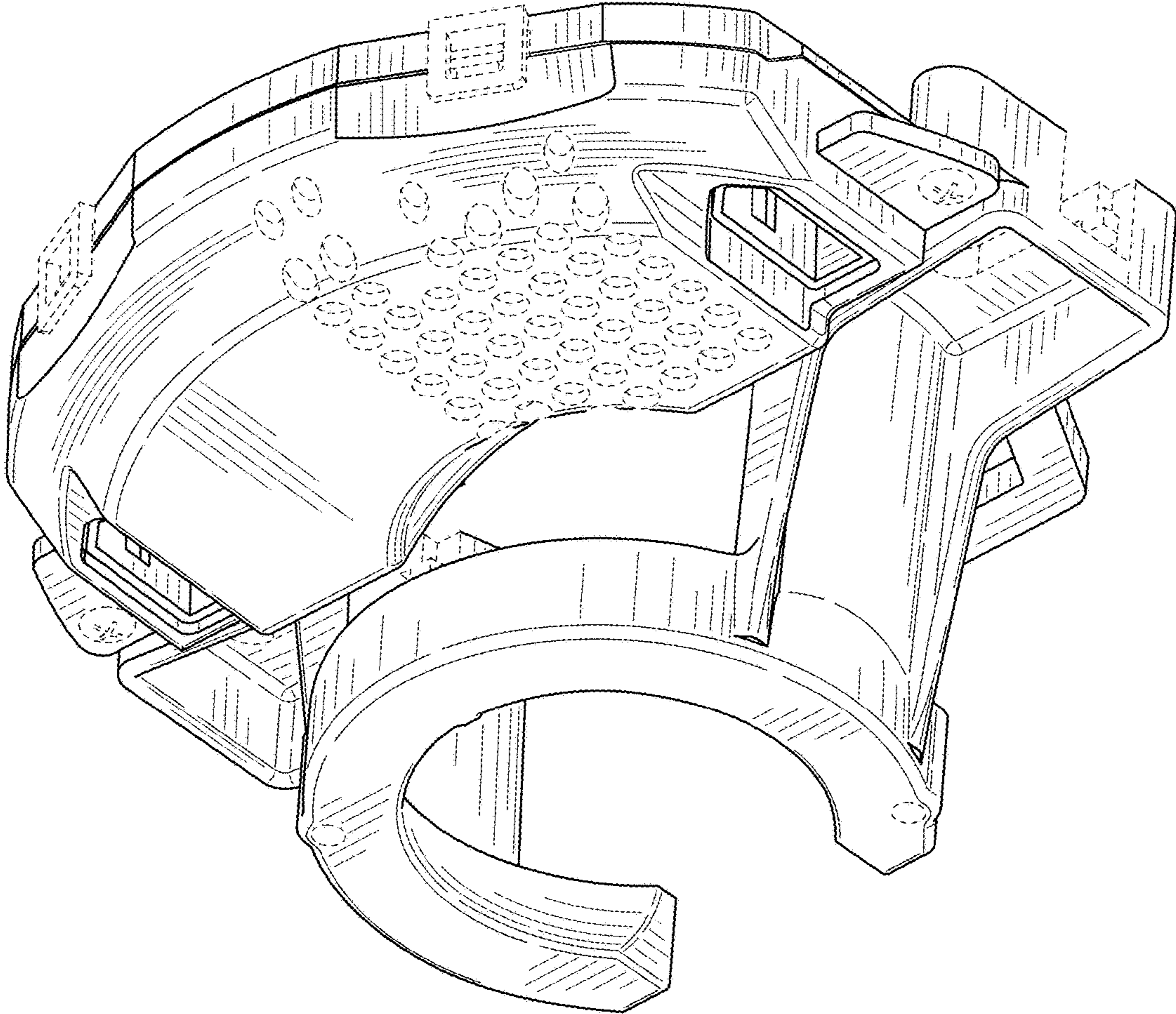


FIG. 16