



US00D865939S

(12) **United States Design Patent** (10) **Patent No.:** **US D865,939 S**
Horng et al. (45) **Date of Patent:** **** Nov. 5, 2019**

(54) **END PLATE FOR A CEILING FAN BLADE**

(71) Applicant: **Sunonwealth Electric Machine Industry Co., Ltd.**, Kaohsiung (TW)

(72) Inventors: **Alex Horng**, Kaohsiung (TW);
Cheng-Wei Lin, Kaohsiung (TW)

(73) Assignee: **Sunonwealth Electric Machine Industry Co., Ltd.**, Kaohsiung (TW)

(**) Term: **15 Years**

(21) Appl. No.: **29/617,930**

(22) Filed: **Sep. 18, 2017**

(30) **Foreign Application Priority Data**

Sep. 4, 2017 (TW) 106305082

(51) **LOC (12) Cl.** **23-03**

(52) **U.S. Cl.**
USPC **D23/411**

(58) **Field of Classification Search**
USPC D23/314, 317, 324, 328, 332-337, 342,
D23/351, 352, 355, 356, 359, 362, 364,
D23/370-376, 378, 379, 381-385,
D23/411-414; D12/214
CPC F04D 25/088; F04D 29/38; F04D 29/384;
F04D 29/386; F21V 33/0096
See application file for complete search history.

(56) **References Cited**

U.S. PATENT DOCUMENTS

D428,984 S * 8/2000 Lee D23/377
7,252,478 B2 * 8/2007 Aynsley F03B 17/063
416/204 R
D672,868 S * 12/2012 Williams D23/377
D717,936 S * 11/2014 Peterson D23/413
D723,678 S * 3/2015 Strecker D23/413
D742,499 S * 11/2015 Wortman D23/386
9,360,020 B2 * 6/2016 Janecek F04D 25/082

D771,230 S * 11/2016 Jones D23/377
D821,560 S * 6/2018 Rasmussen D23/379
D823,452 S * 7/2018 Rasmussen D23/379
D834,696 S * 11/2018 Schulzman D23/377
2016/0290357 A1 * 10/2016 Whitley F04D 29/388
2019/0072097 A1 * 3/2019 Horng F04D 29/681
2019/0072107 A1 * 3/2019 Horng F04D 29/681

OTHER PUBLICATIONS

Big Ass Fans 2025 Silver and Yellow Shop Ceiling Fan, date first available Aug. 24, 2014, site visited Mar. 22, 2019, available at www.amazon.com.*

* cited by examiner

Primary Examiner — Cathron C Brooks

Assistant Examiner — Sharon S Oum

(74) *Attorney, Agent, or Firm* — Alan D. Kamrath; Mayer & Williams PC

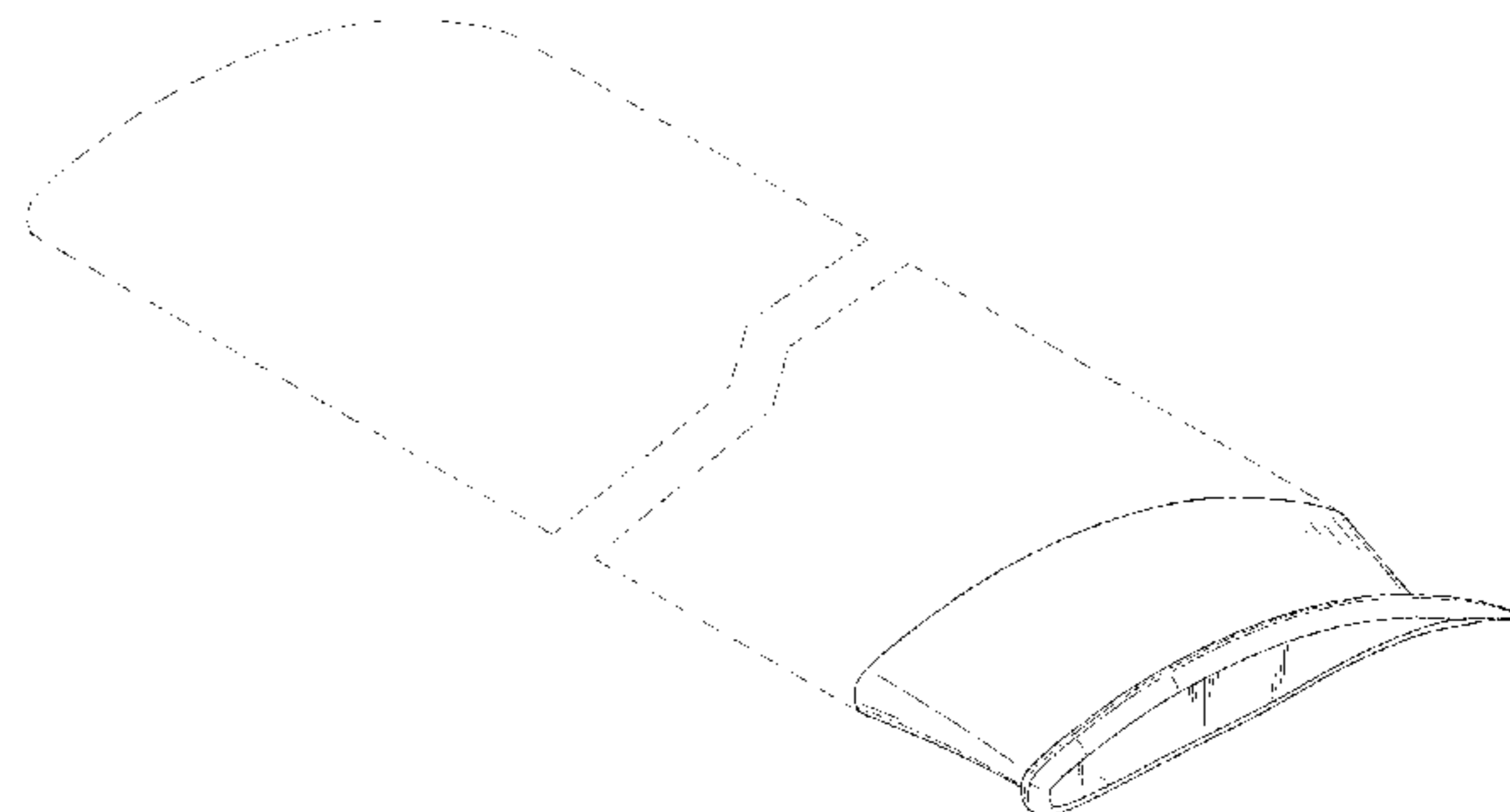
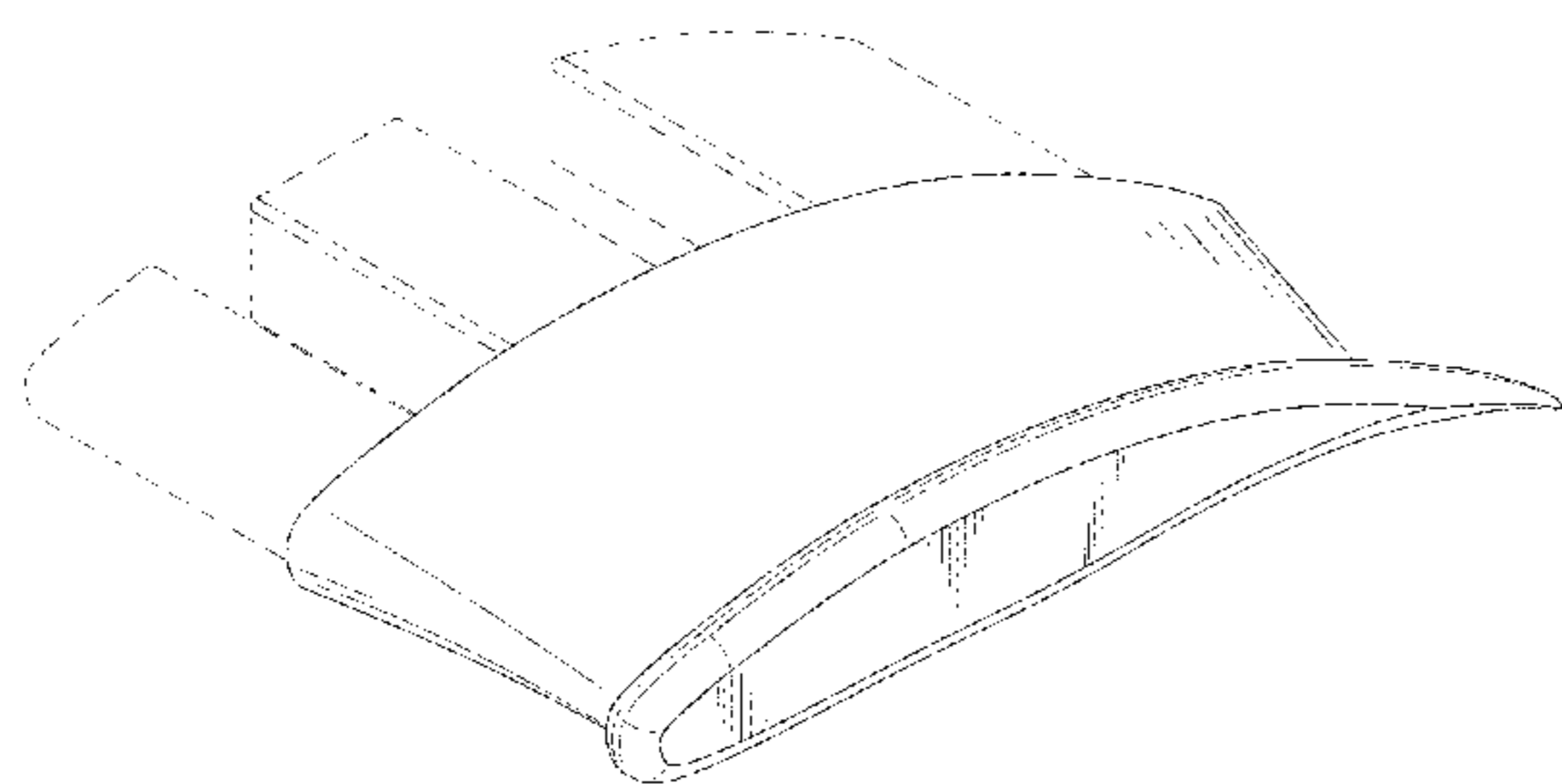
(57) **CLAIM**

The ornamental design for an end plate for a ceiling fan blade, as shown and described.

DESCRIPTION

FIG. 1 is a perspective view of an end plate for a ceiling fan blade showing our design;
FIG. 2 is another perspective view thereof;
FIG. 3 is a front elevational view thereof;
FIG. 4 is a rear elevational view thereof;
FIG. 5 is a left elevational view thereof;
FIG. 6 is a right elevational view thereof;
FIG. 7 is a top plan view thereof;
FIG. 8 is a bottom plan view thereof; and,
FIG. 9 is a perspective view thereof, shown in the environment of a ceiling fan blade.
The broken lines illustrate portions of the end plate for a ceiling fan blade and illustrate environmental structure. None of the broken lines form part of the claimed design.

1 Claim, 6 Drawing Sheets



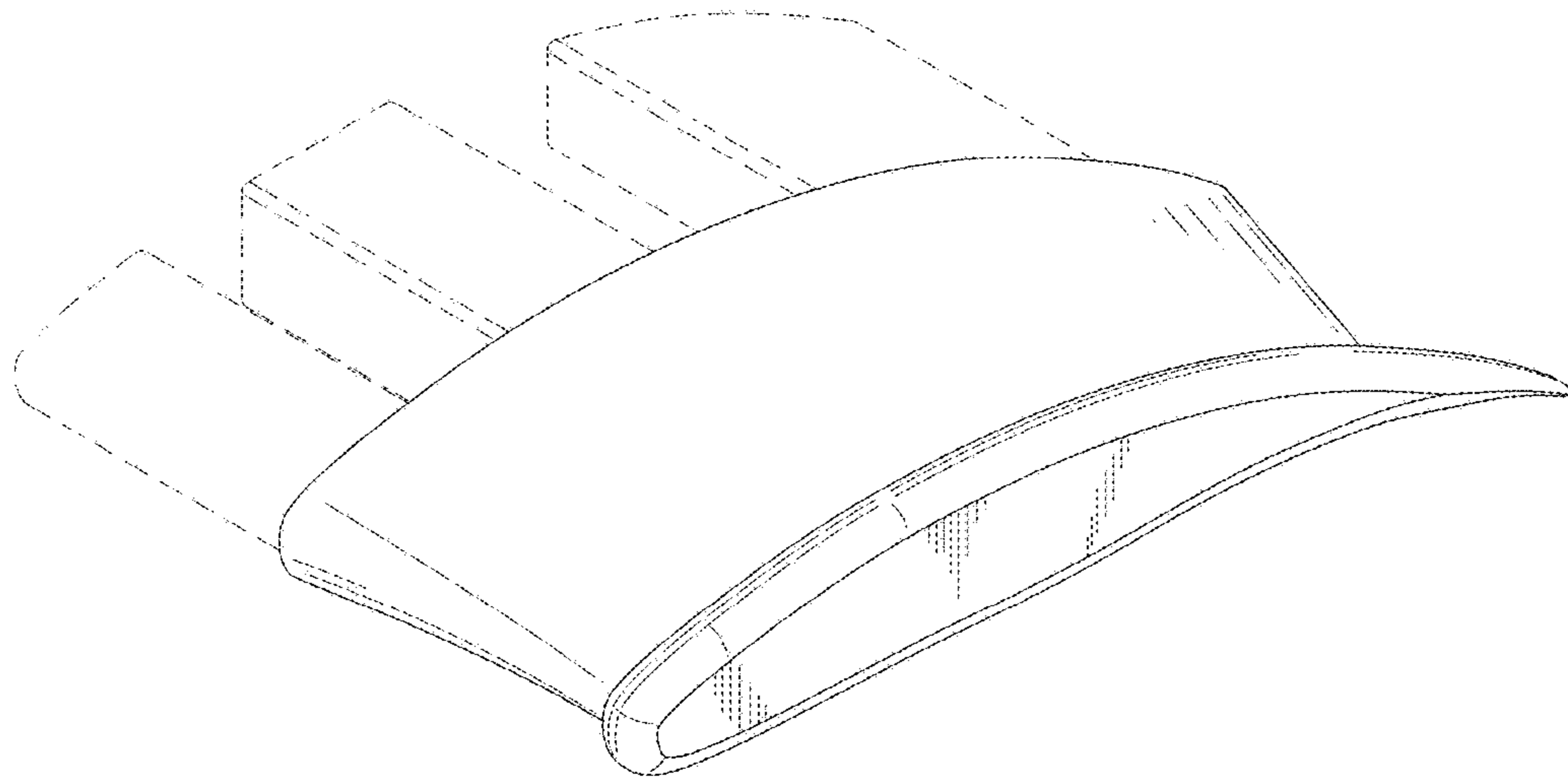


FIG. 1

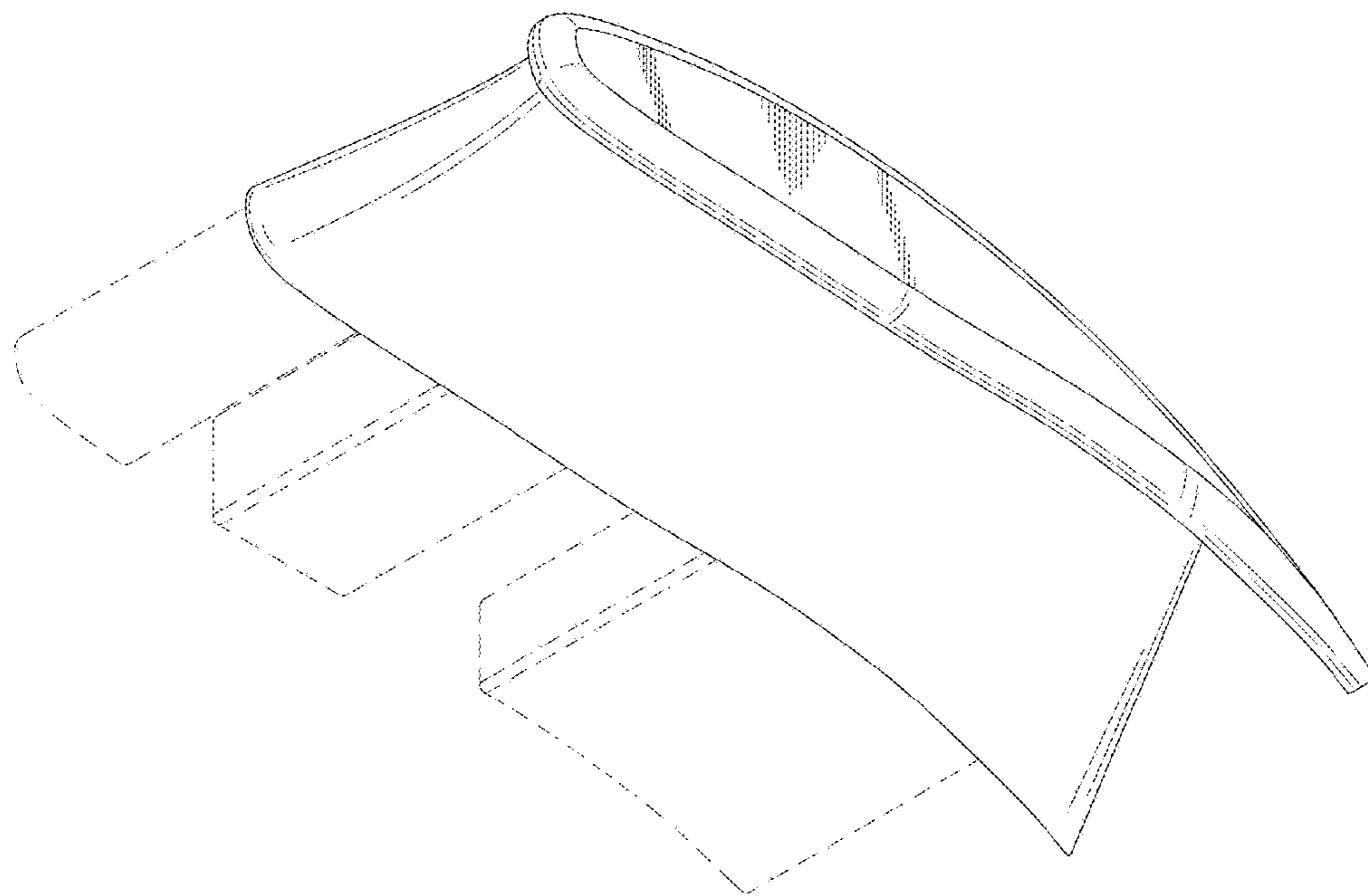


FIG. 2

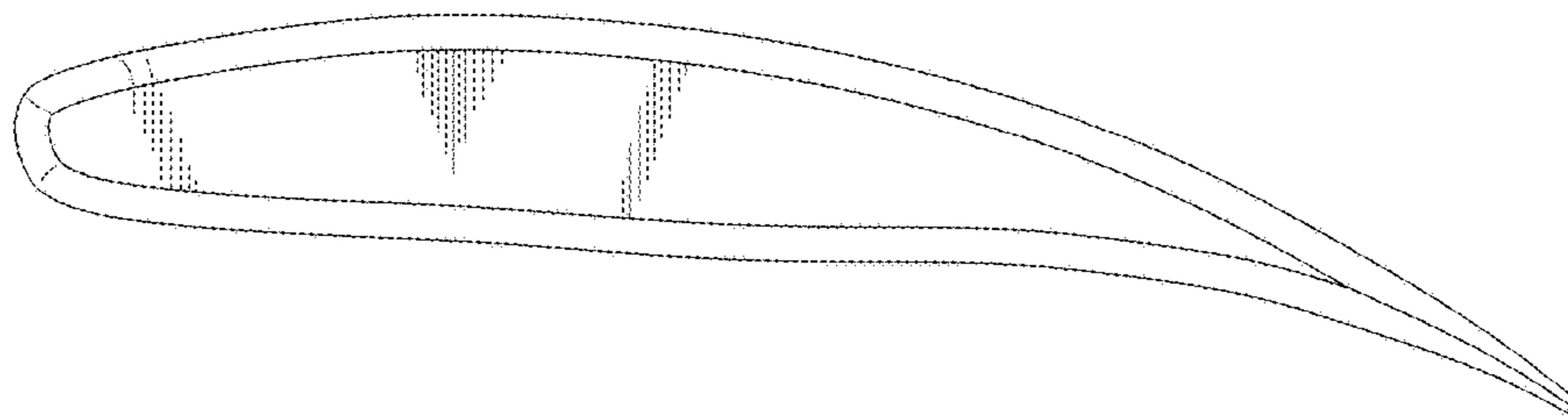


FIG. 3

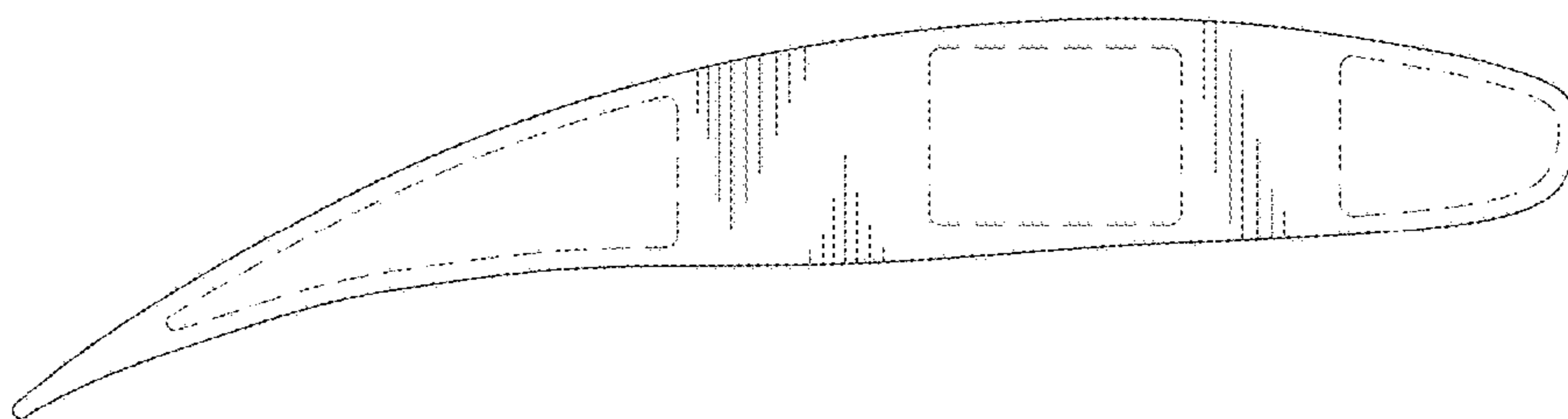


FIG. 4

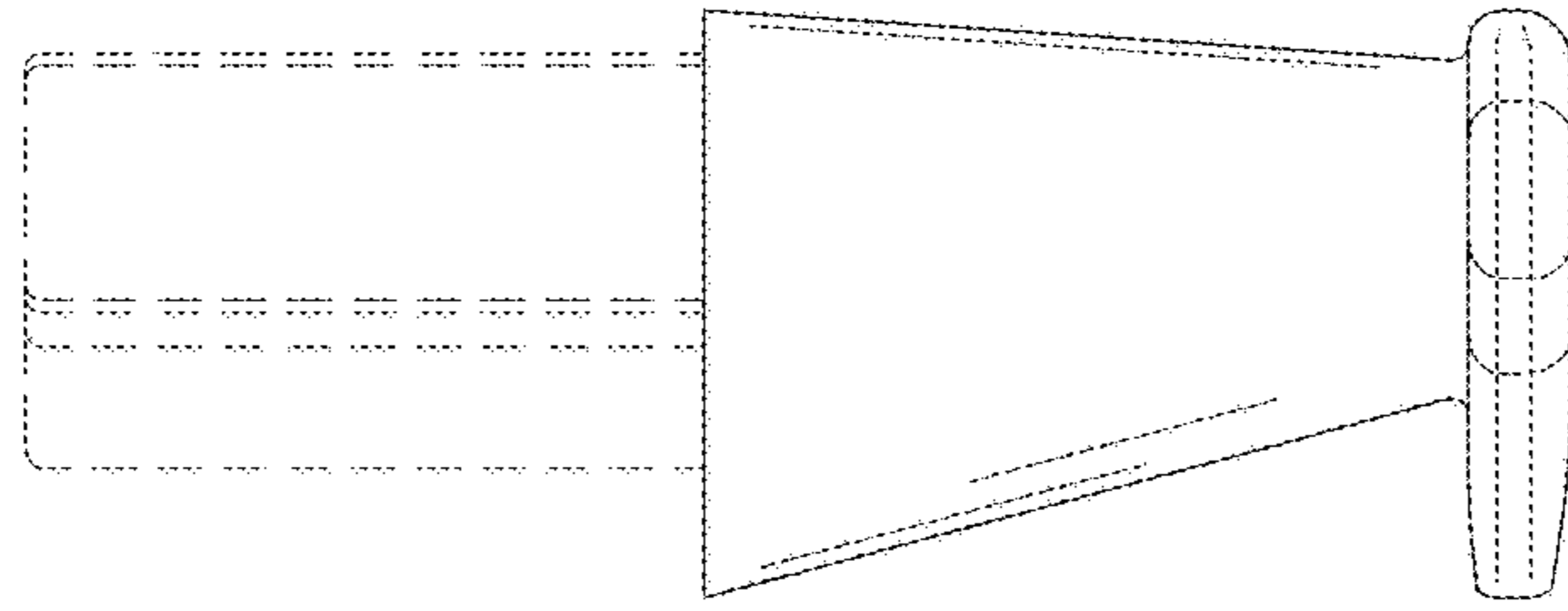


FIG. 5

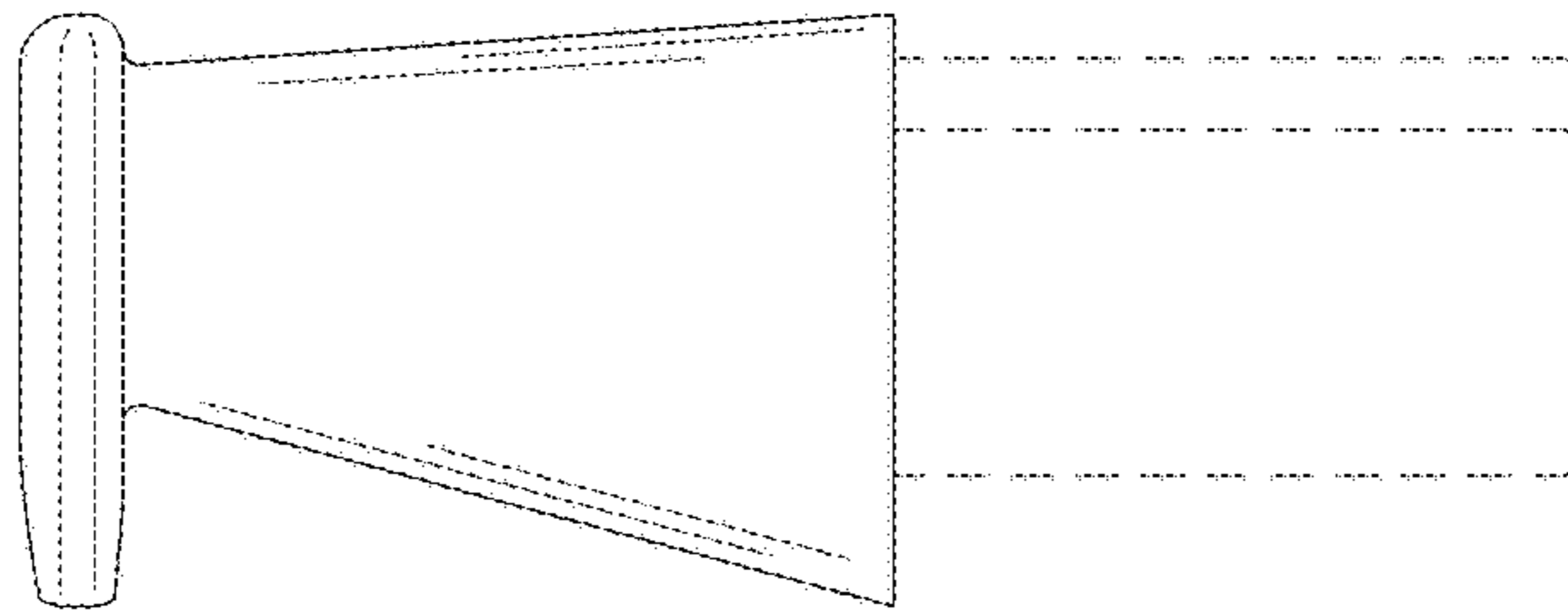


FIG. 6

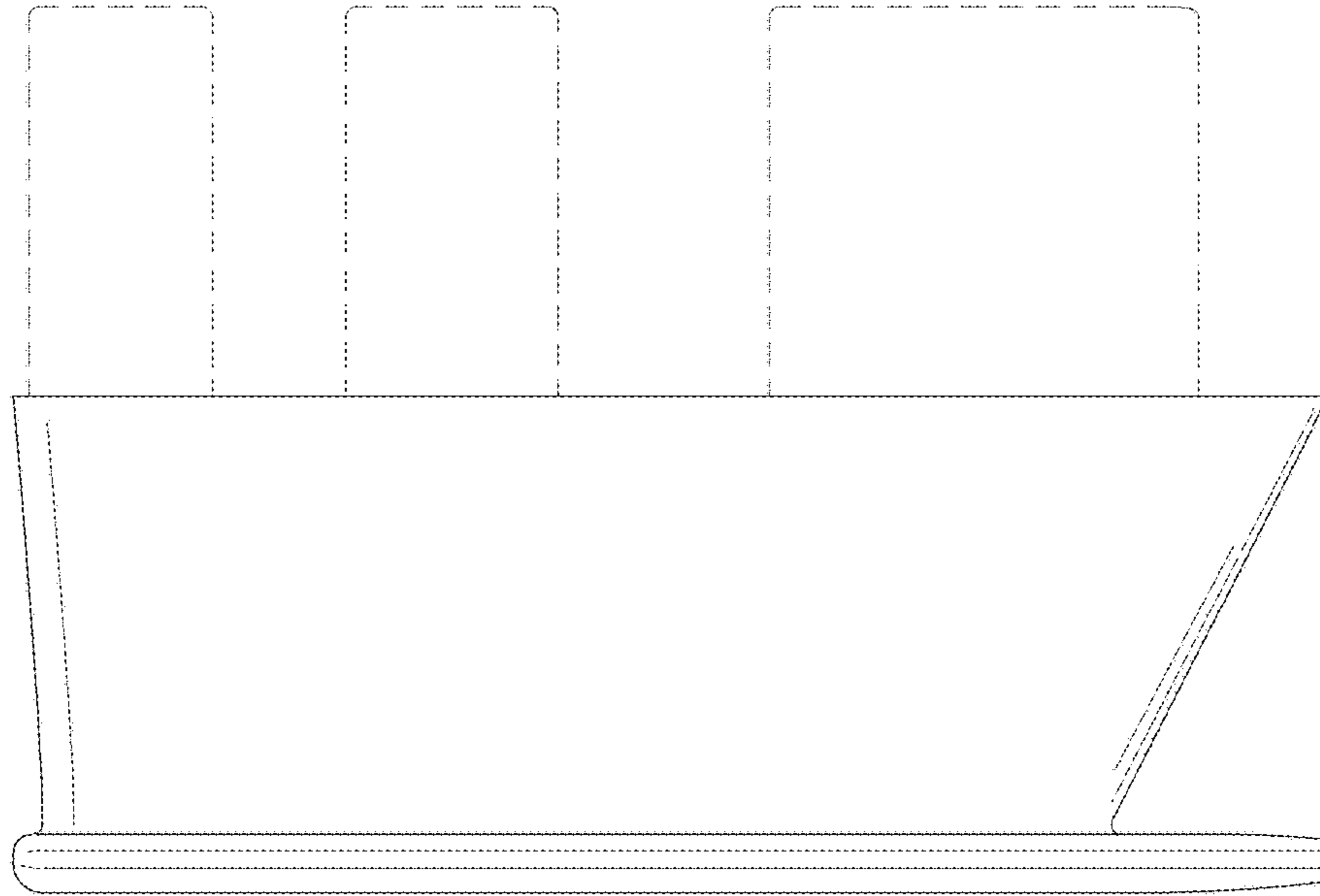


FIG. 7

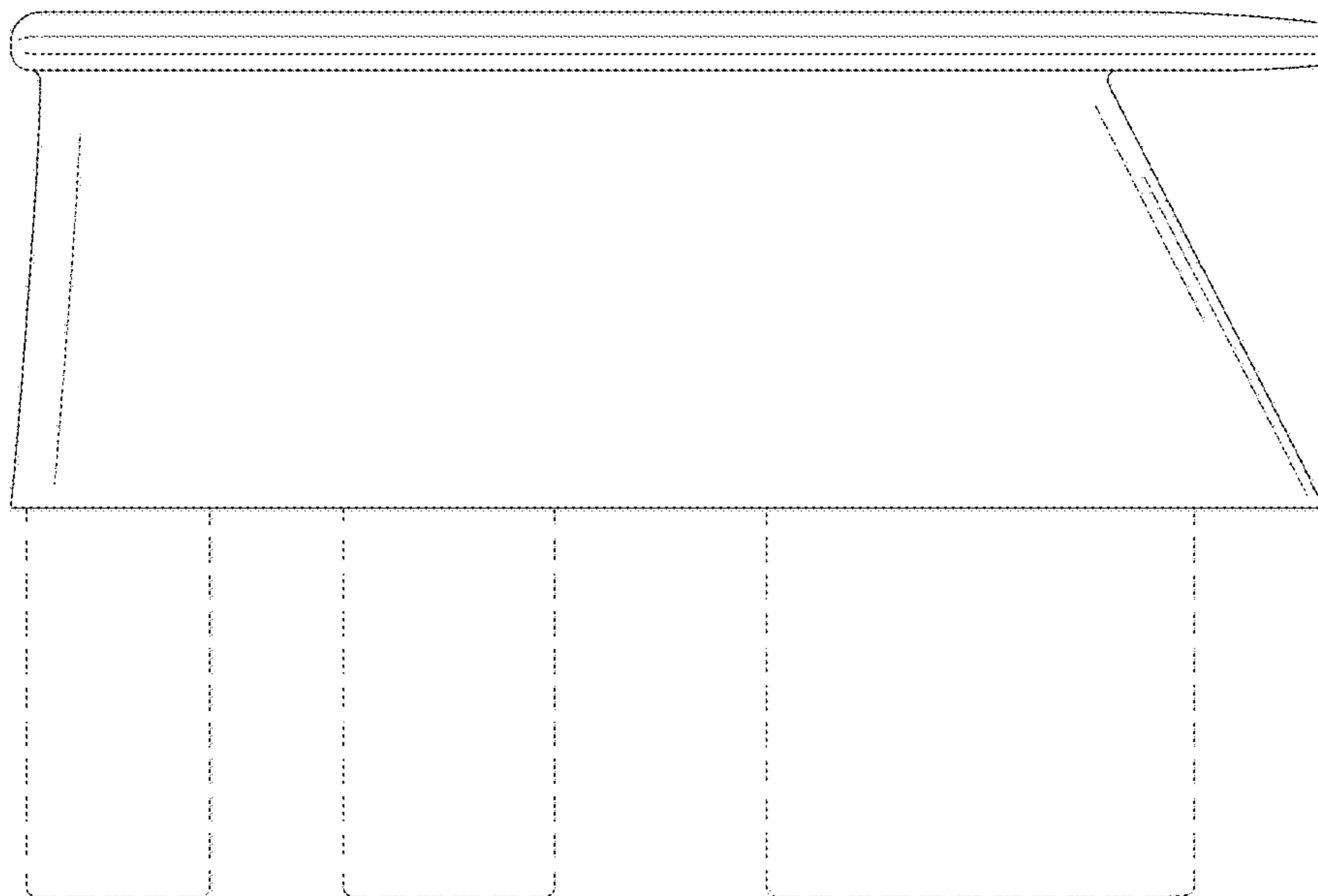


FIG. 8

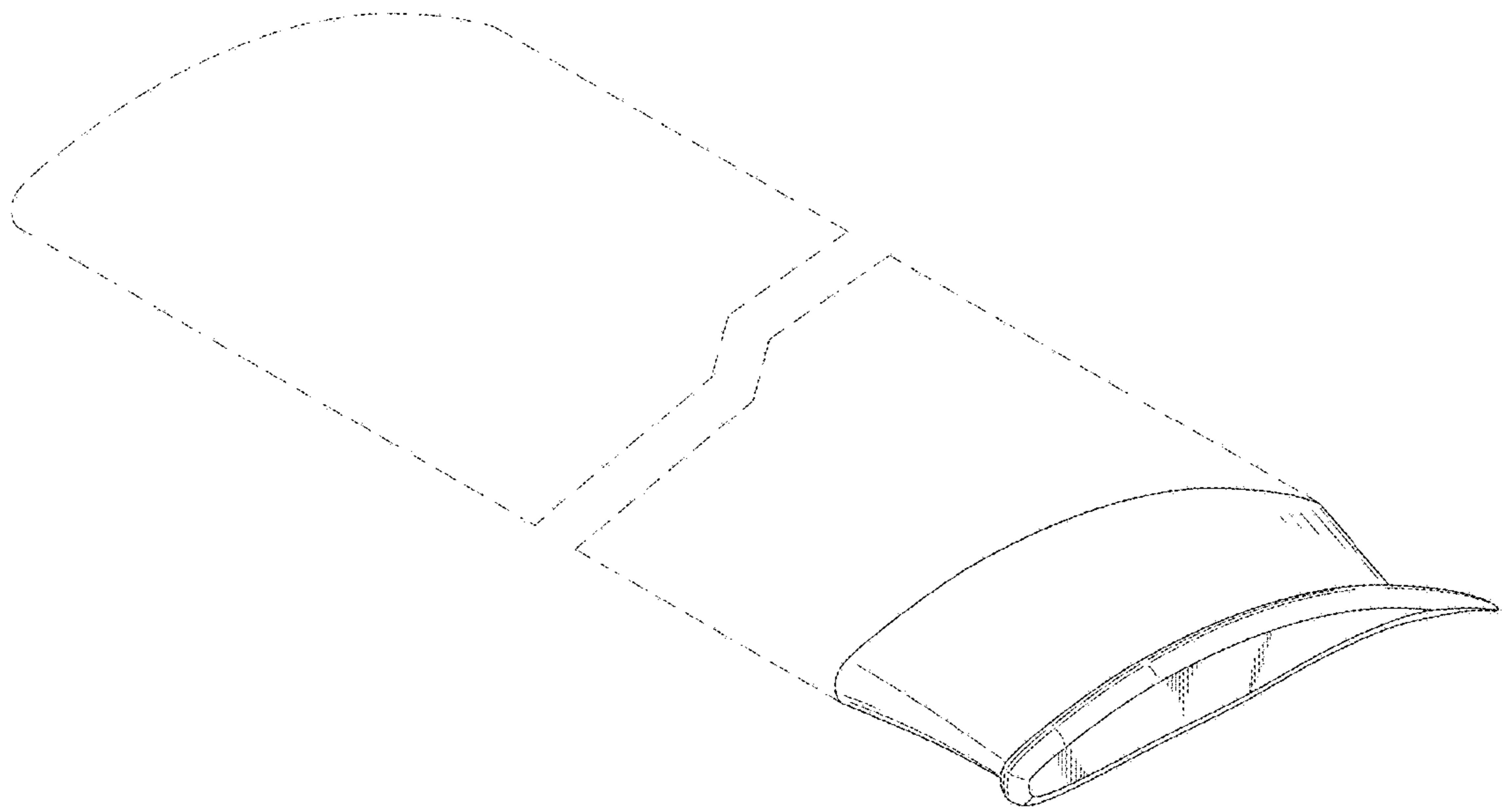


FIG. 9