



US00D865938S

(12) **United States Design Patent** (10) **Patent No.:** **US D865,938 S**  
**McCoy, Jr.** (45) **Date of Patent:** **\*\* Nov. 5, 2019**

- (54) **FAN DRIVE ASSEMBLY**
- (71) Applicant: **LTA Distributing**, Millsboro, DE (US)
- (72) Inventor: **Donald Andrew McCoy, Jr.**, Millsboro, DE (US)
- (73) Assignee: **LTA Distributing**, Millsboro, DE (US)
- (\*\*) Term: **15 Years**
- (21) Appl. No.: **29/578,716**
- (22) Filed: **Sep. 23, 2016**
- (51) **LOC (12) Cl.** ..... **23-04**
- (52) **U.S. Cl.**  
USPC ..... **D23/411**
- (58) **Field of Classification Search**  
USPC ..... D23/370, 386, 411-413; D15/5  
CPC ..... F04B 49/02; F16D 43/06  
See application file for complete search history.

(56) **References Cited**

U.S. PATENT DOCUMENTS

2,725,185	A *	11/1955	Willcox	.....	F04D 25/02 123/41.12
5,496,154	A *	3/1996	Hall, III	.....	F16D 25/02 192/105 B
6,732,681	B1 *	5/2004	Hendricks, Sr.	.....	F01P 3/18 123/41.49
6,967,837	B2 *	11/2005	Shih	.....	G06F 1/183 361/679.02
D629,095	S *	12/2010	Liu	.....	D23/411
D631,150	S *	1/2011	Eimer	.....	D23/411
8,154,865	B2 *	4/2012	Hsieh	.....	G06F 1/20 165/80.3
D665,900	S *	8/2012	Yen	.....	D23/411
D684,252	S *	6/2013	Okada	.....	D23/411
D684,679	S *	6/2013	Okada	.....	D23/370
D716,934	S *	11/2014	Hertreiter	.....	D23/365

(Continued)

Primary Examiner — Janice Hallmark

(74) *Attorney, Agent, or Firm* — Miles & Stockbridge, PC

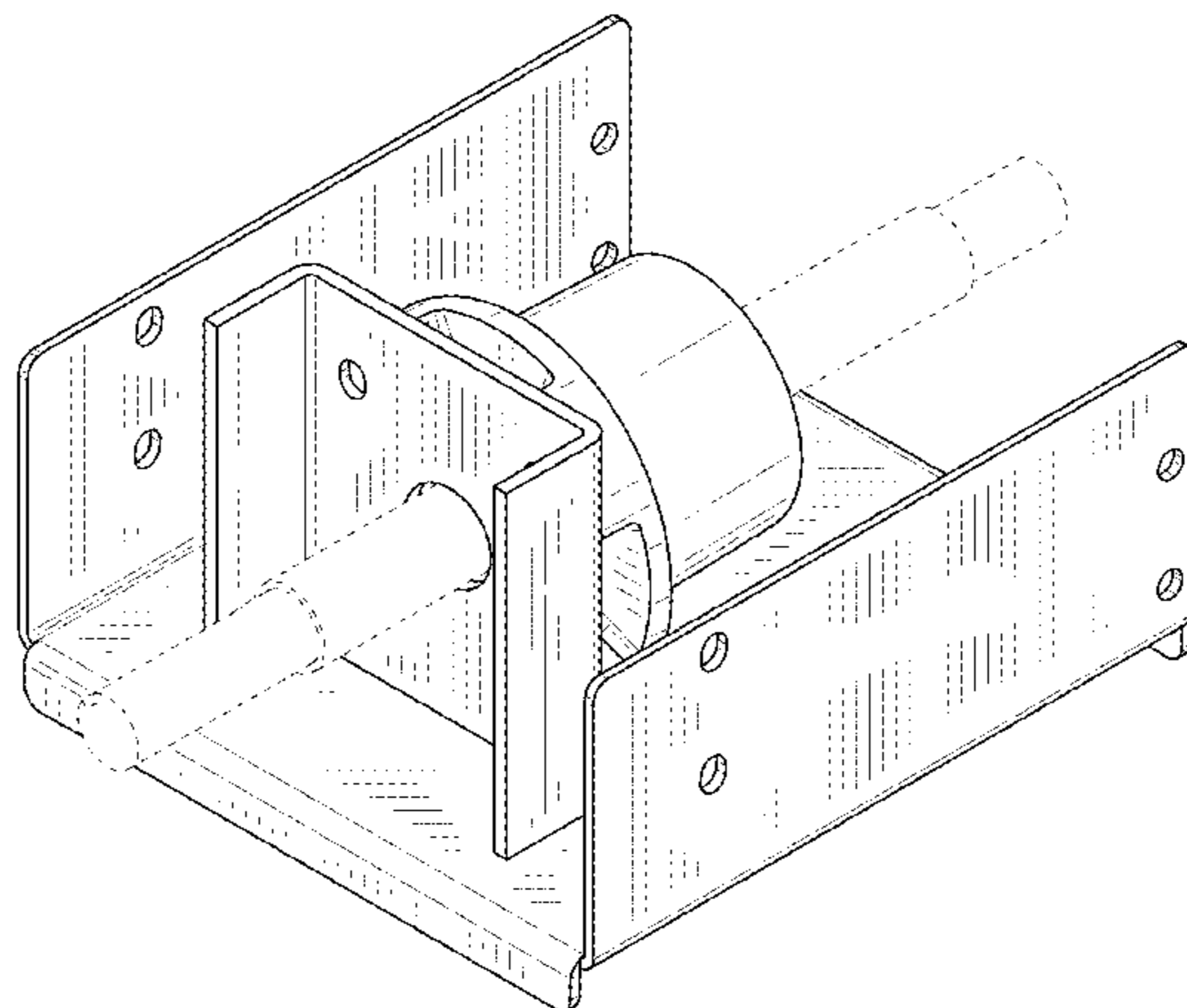
(57) **CLAIM**

The ornamental design for a fan drive assembly, as shown and described.

**DESCRIPTION**

FIG. 1 is a fully-assembled perspective view of the fan drive assembly showing my new design;  
 FIG. 2 is an exploded perspective view of the fan drive assembly of FIG. 1;  
 FIG. 3 is a front view of the bracket of the fan drive assembly of FIG. 1;  
 FIG. 4 is a rear view of the bracket of the fan drive assembly of FIG. 1;  
 FIG. 5 is a left side view of the bracket of the fan drive assembly of FIG. 1;  
 FIG. 6 is a right side view of the bracket of the fan drive assembly of FIG. 1;  
 FIG. 7 is a top view of the bracket of the fan drive assembly of FIG. 1;  
 FIG. 8 is a bottom view of the bracket of the fan drive assembly of FIG. 1.  
 FIG. 9 is a front view of the housing of the fan drive assembly of FIG. 1;  
 FIG. 10 is a rear view of the housing of the fan drive assembly of FIG. 1;  
 FIG. 11 is a right side view of the housing of the fan drive assembly of FIG. 1;  
 FIG. 12 is a left side view of the housing of the fan drive assembly of FIG. 1;  
 FIG. 13 is a bottom view of the housing of the fan drive assembly of FIG. 1; and,  
 FIG. 14 is a top view of the housing of the fan drive assembly of FIG. 1.  
 The broken lines in FIGS. 1 and 2, depicting a shaft and a bearing in association with the claimed design, are included to show visible environmental structure only and form no part of the claimed design.

**1 Claim, 8 Drawing Sheets**



(56)

**References Cited**

U.S. PATENT DOCUMENTS

D726,897 S \* 4/2015 Hatz ..... D23/411  
D732,156 S \* 6/2015 Penlesky ..... D23/411  
D792,570 S \* 7/2017 Williams ..... D23/386  
D792,577 S \* 7/2017 Gajewski ..... D23/411  
2006/0034698 A1\* 2/2006 Jenks ..... F04D 29/263  
416/244 R  
2011/0309696 A1\* 12/2011 Stoehling ..... H02K 5/24  
310/51  
2013/0251511 A1\* 9/2013 Coffin ..... F02C 7/36  
415/122.1  
2014/0165762 A1\* 6/2014 Coffin ..... B23P 15/14  
74/467  
2014/0196471 A1\* 7/2014 Otto ..... F16H 1/2809  
60/796  
2016/0123233 A1\* 5/2016 Cigal ..... F01D 25/164  
60/226.1  
2016/0169235 A1\* 6/2016 Ignatovich ..... F04D 19/002  
415/122.1

\* cited by examiner

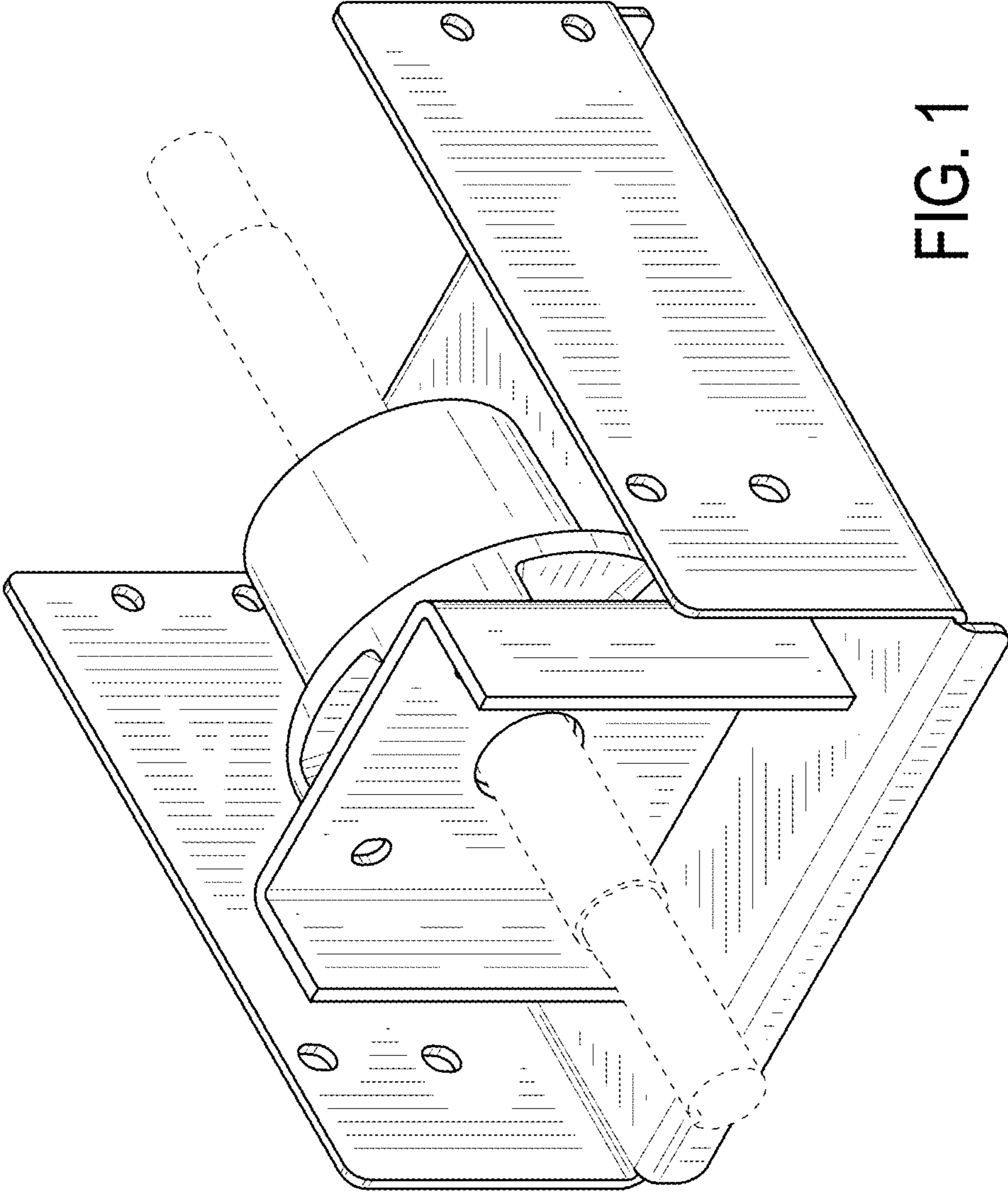


FIG. 1

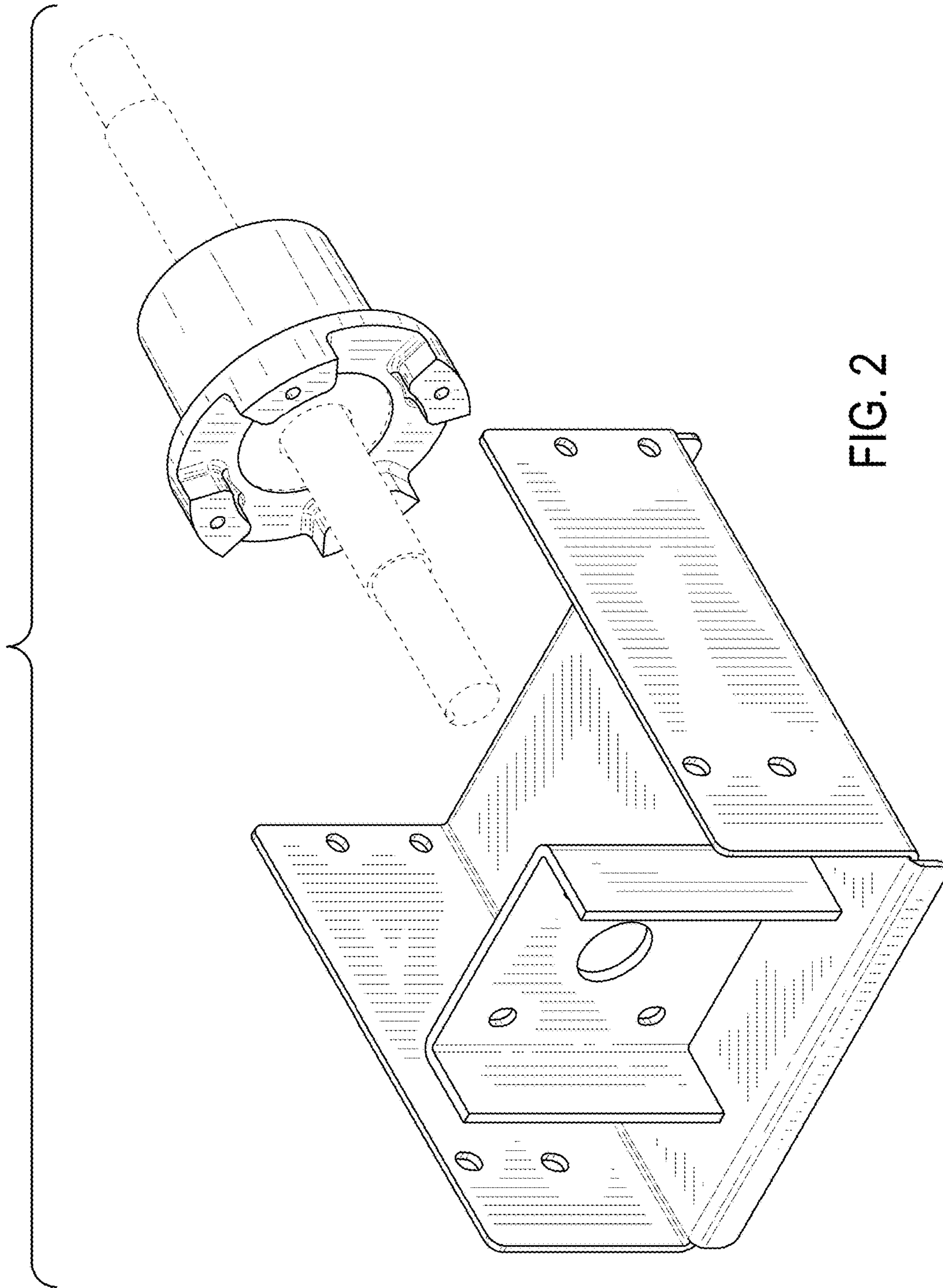


FIG. 2



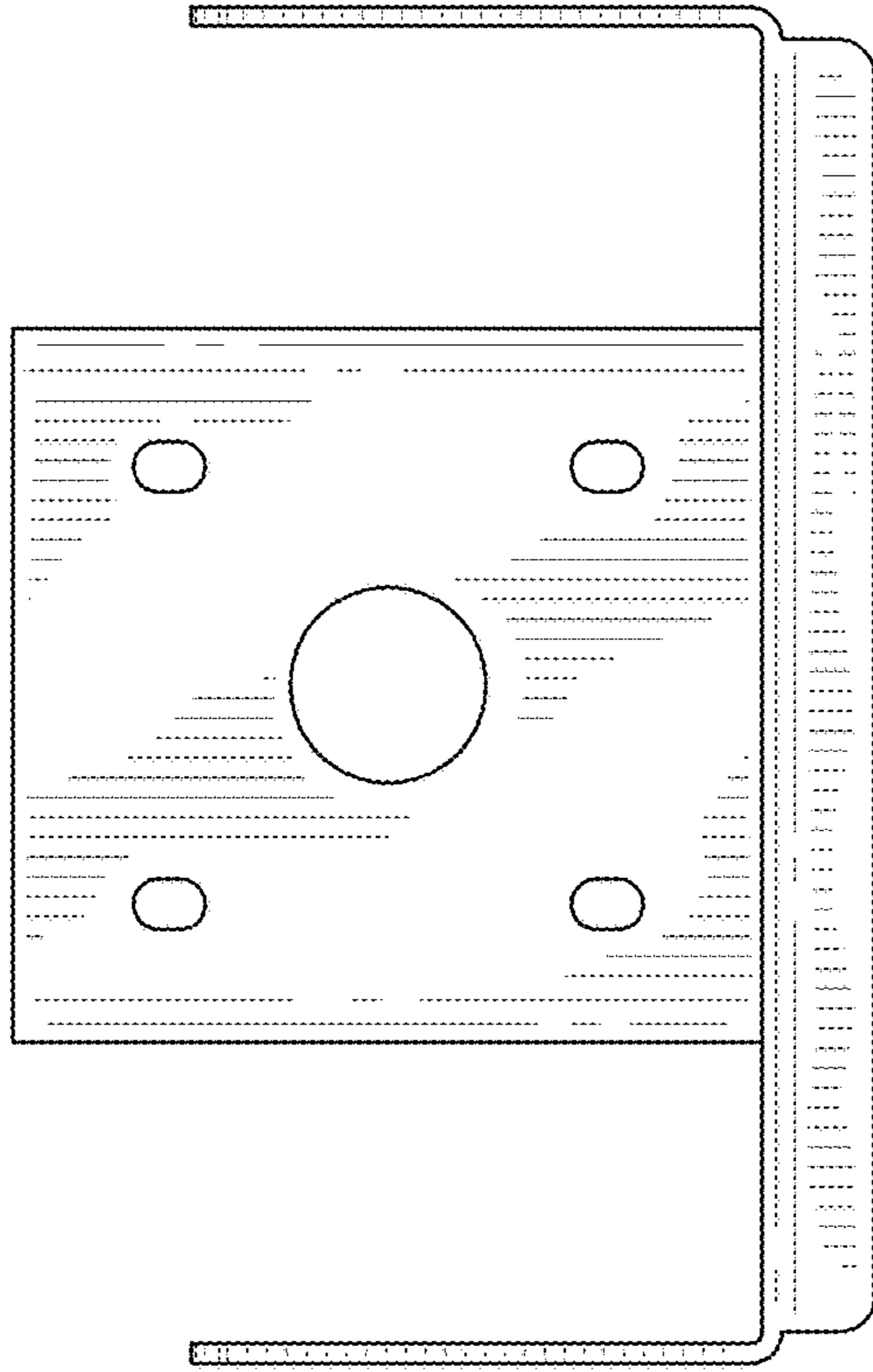


FIG. 4

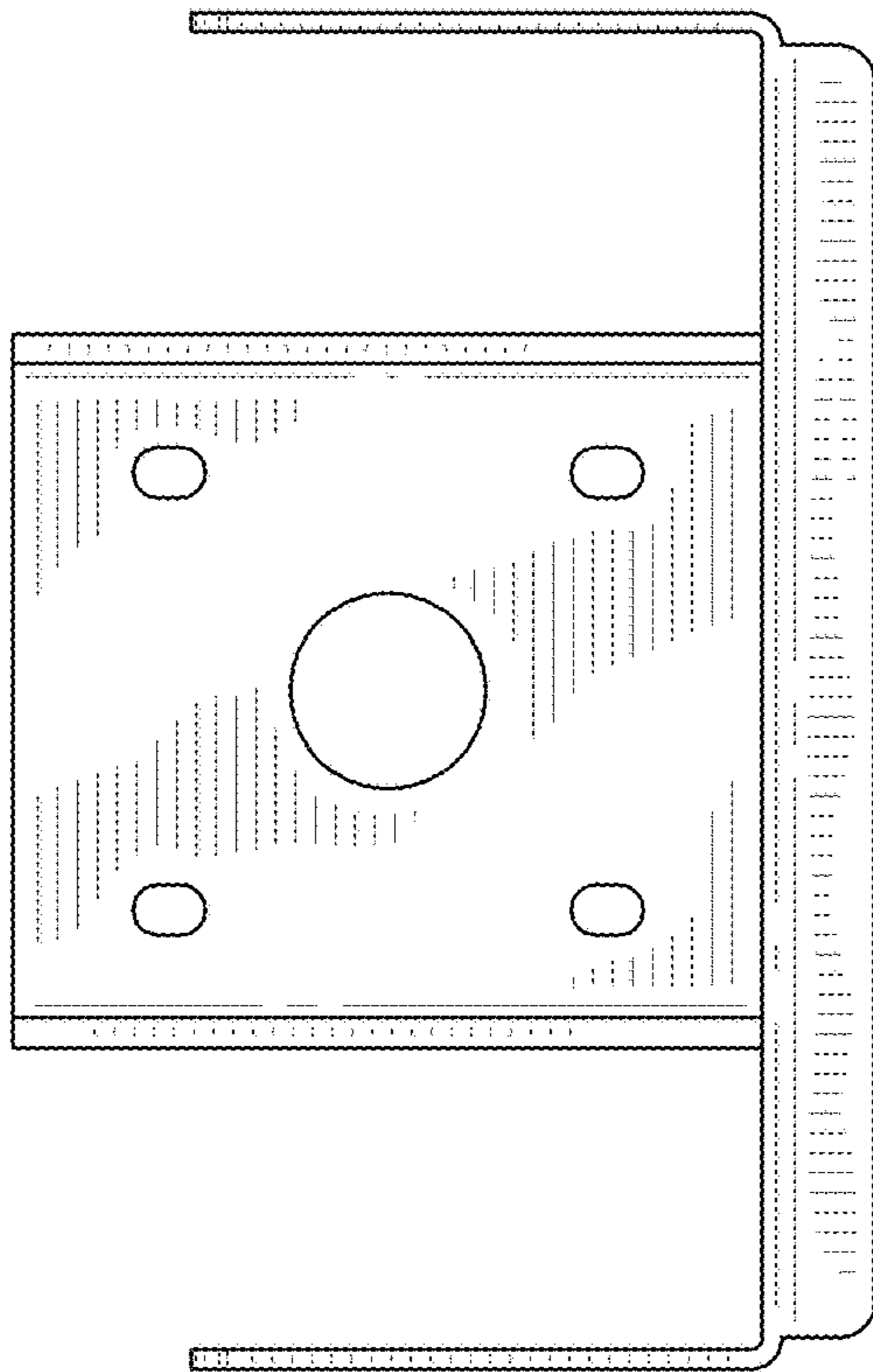


FIG. 3

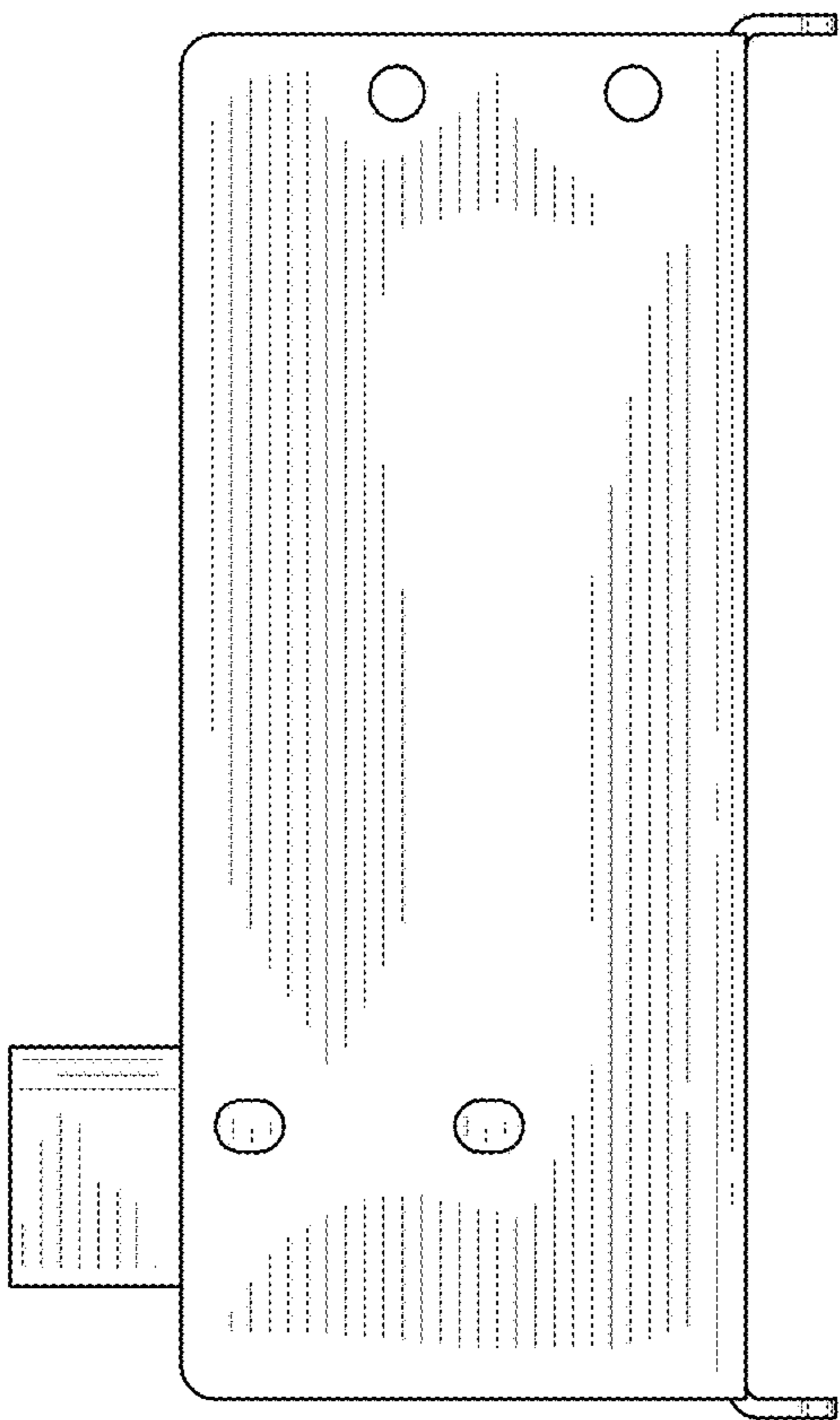


FIG. 5

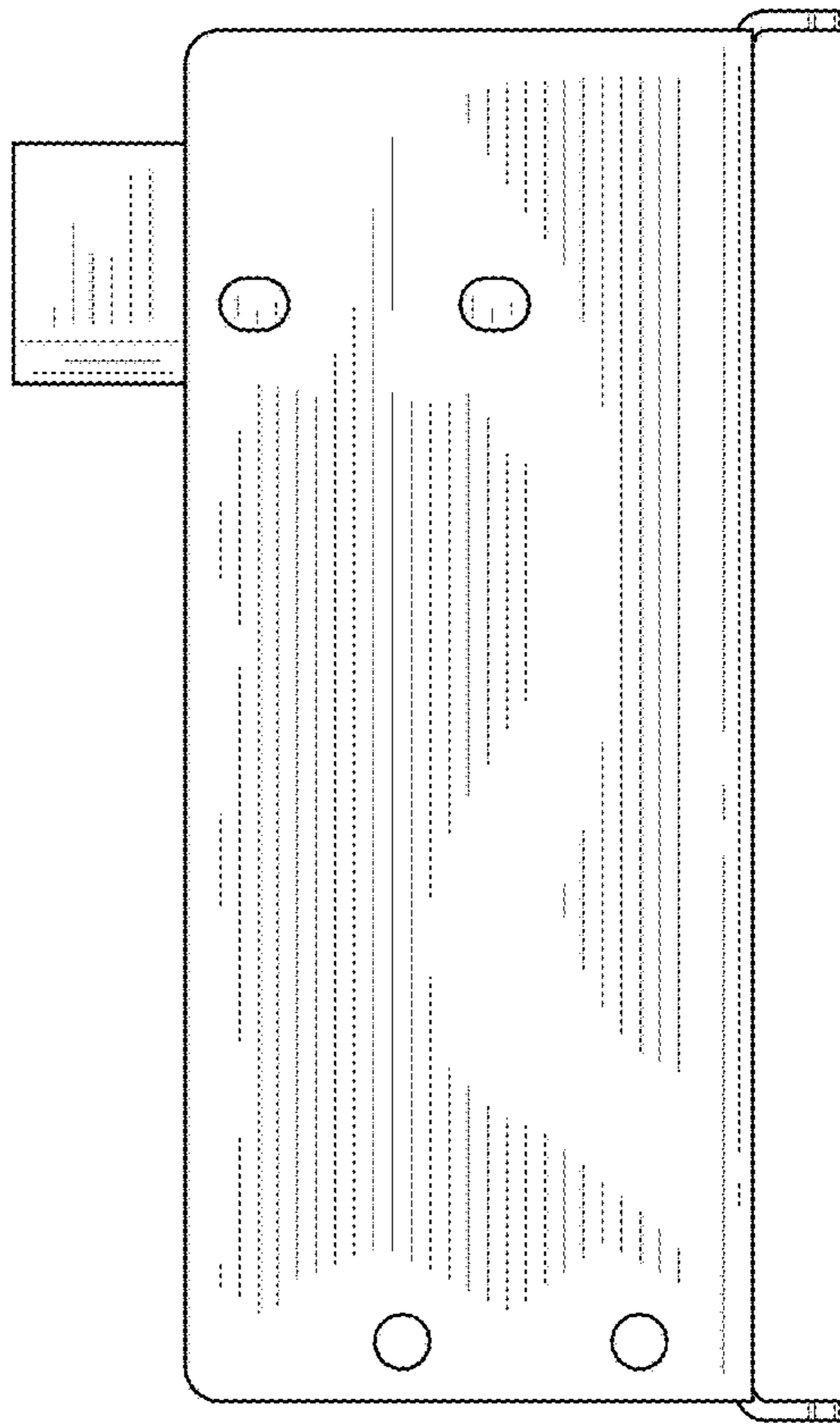


FIG. 6

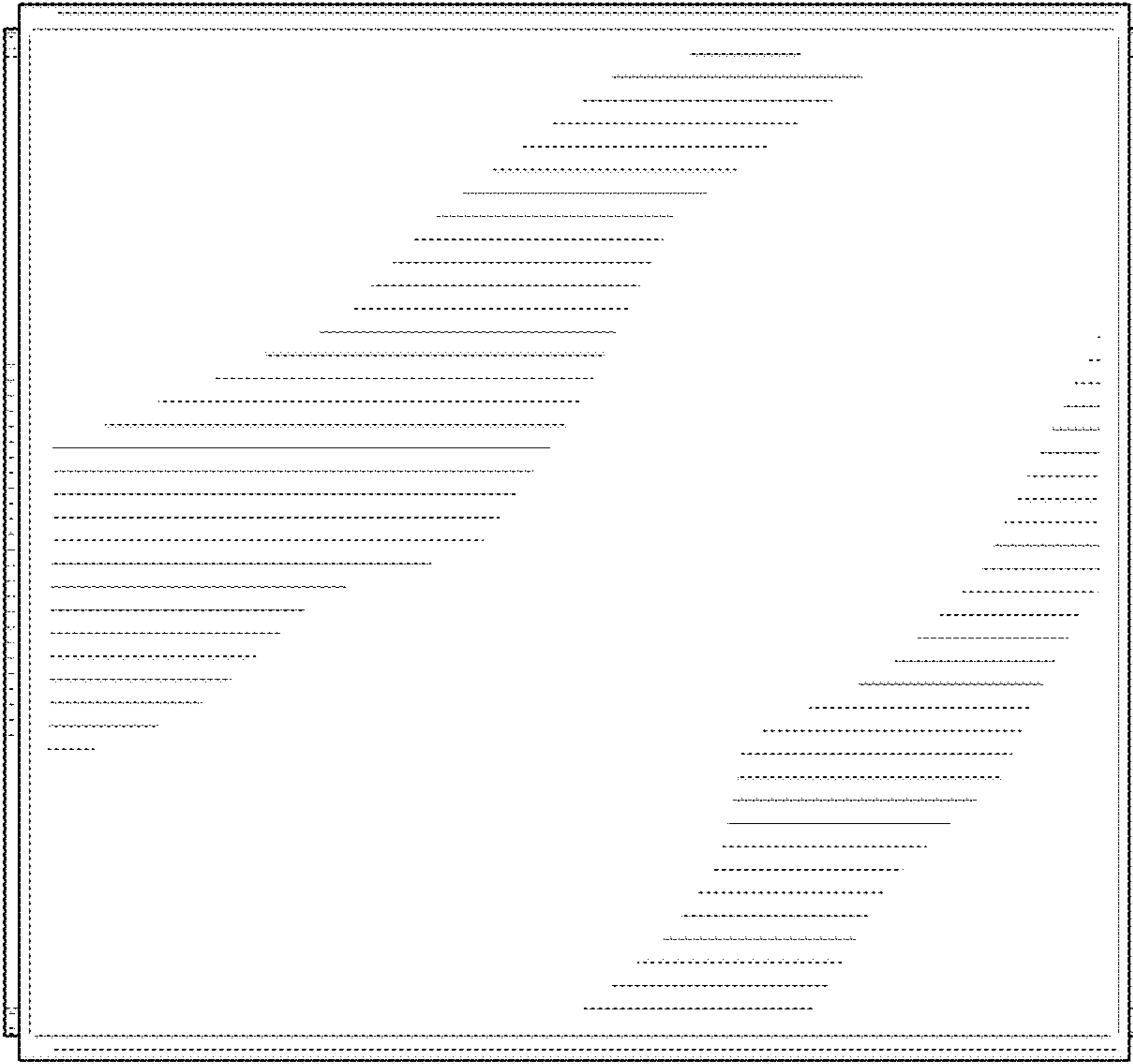


FIG. 8

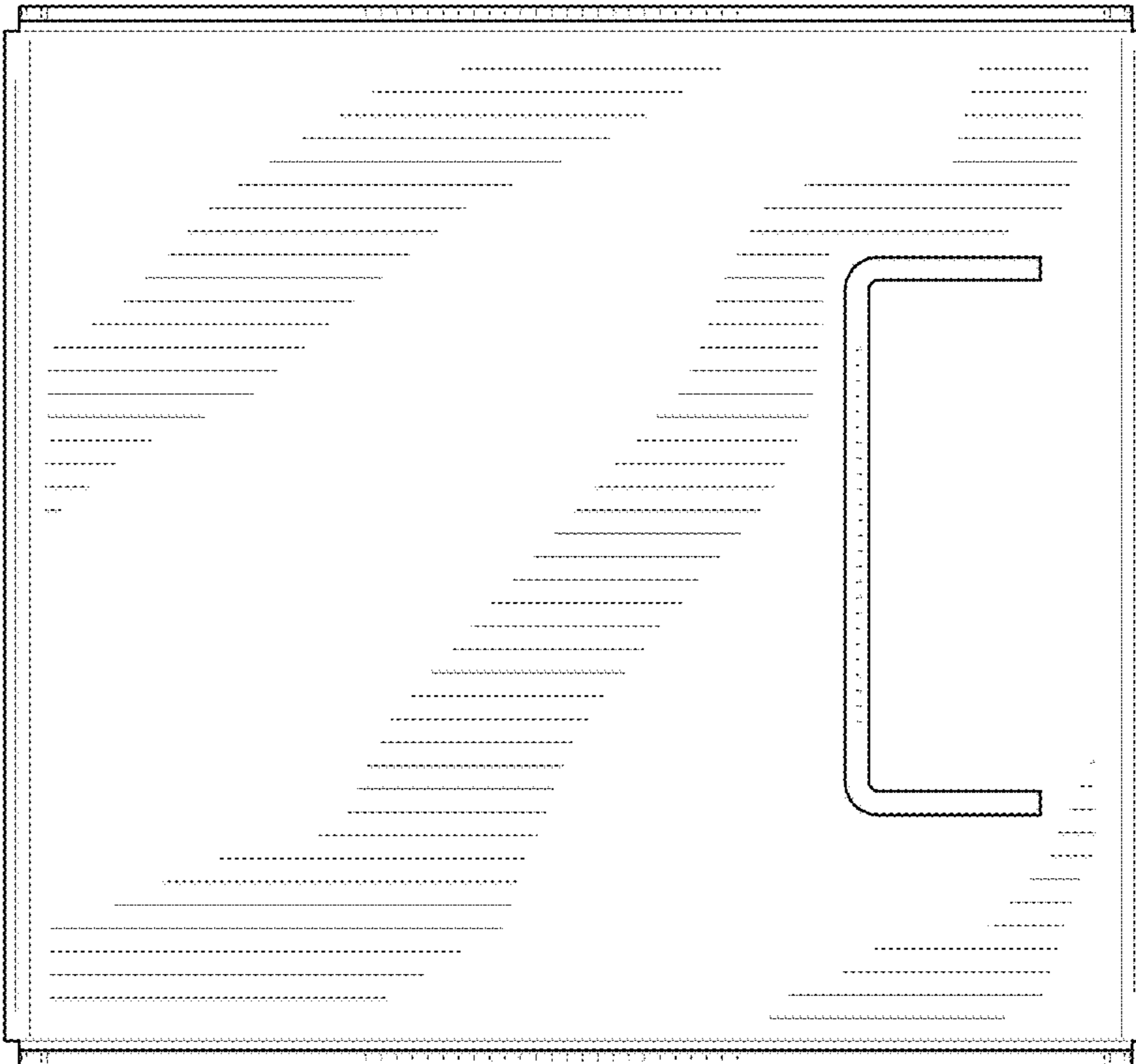


FIG. 7

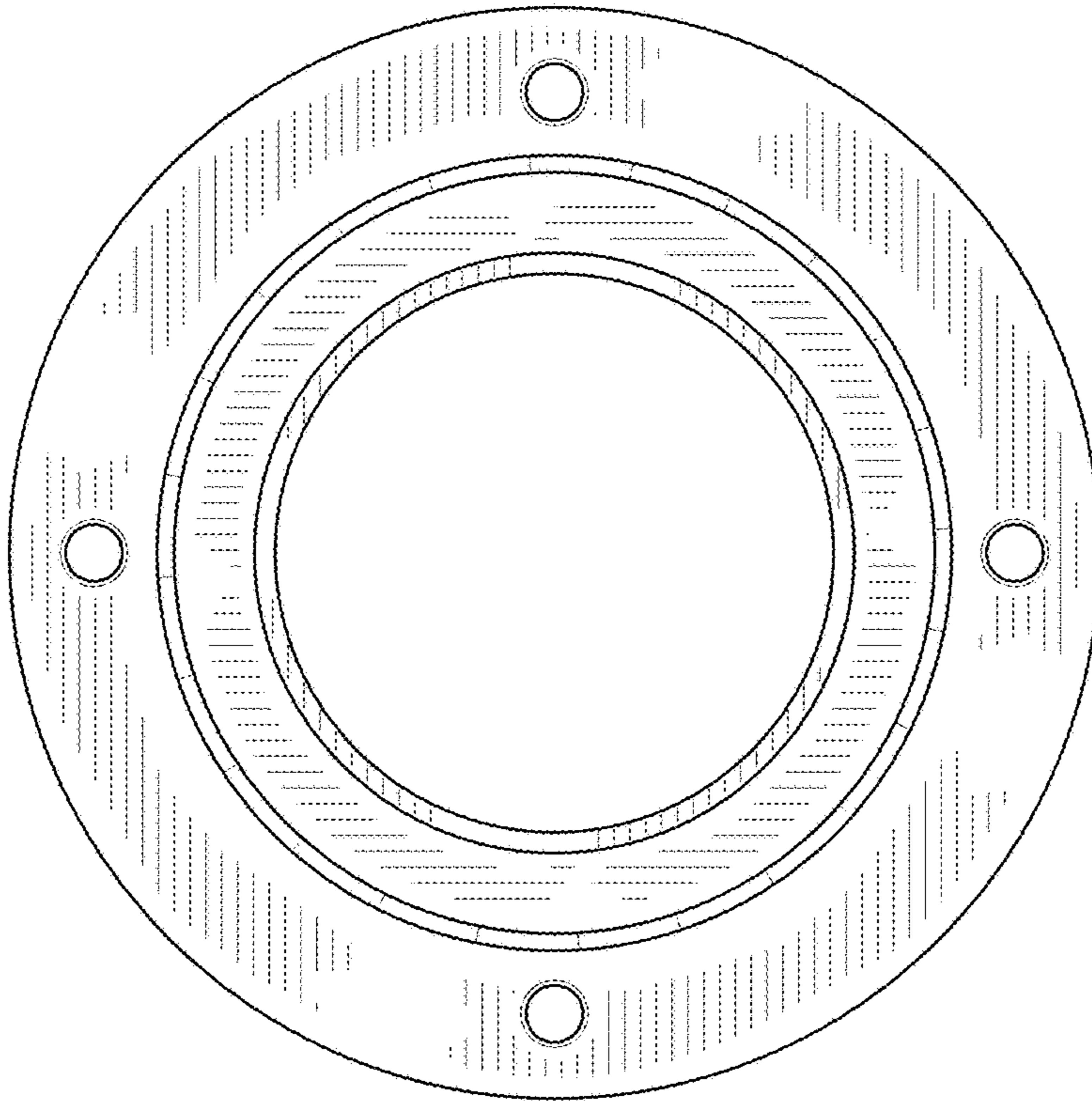


FIG. 10

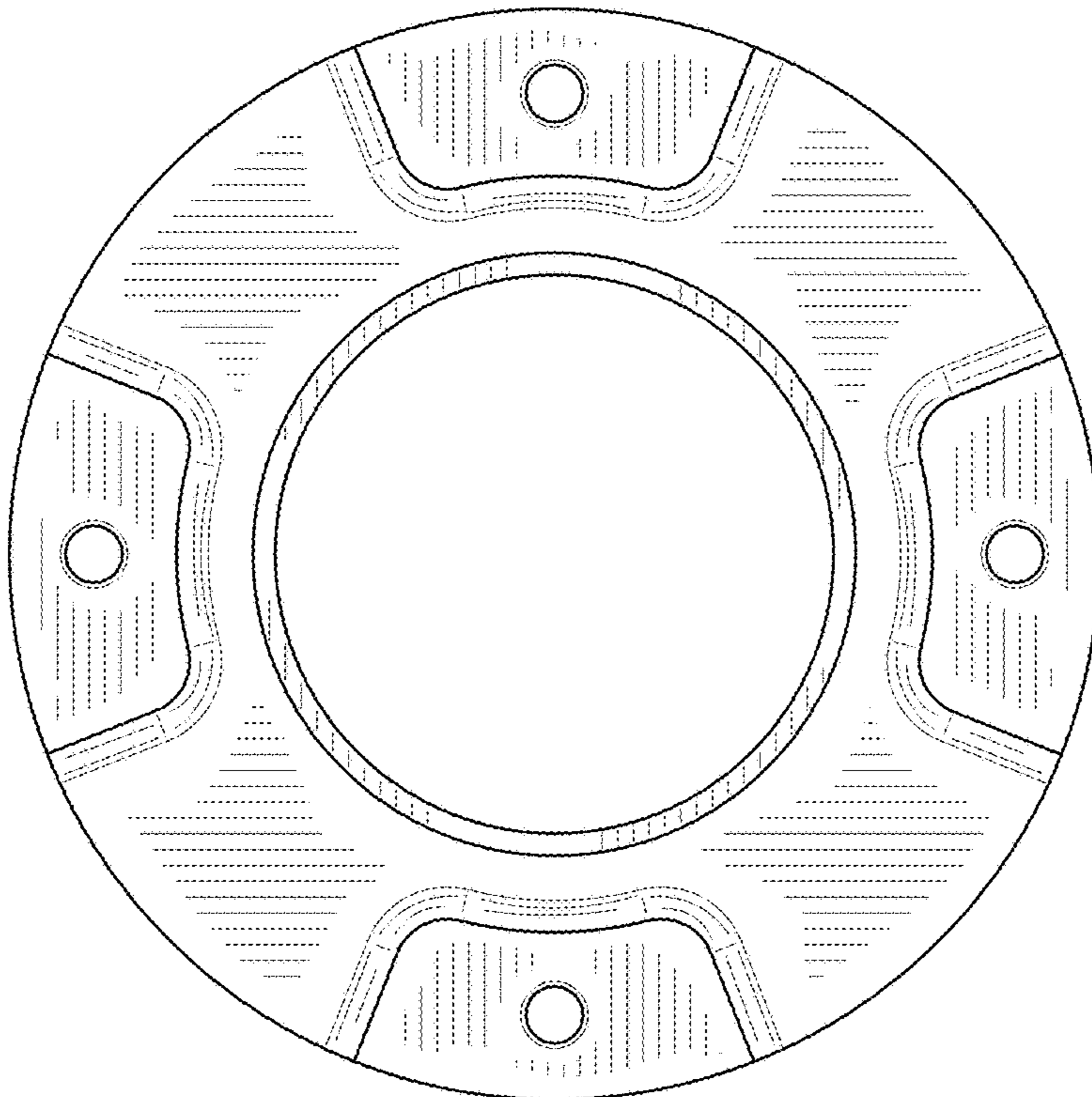


FIG. 9



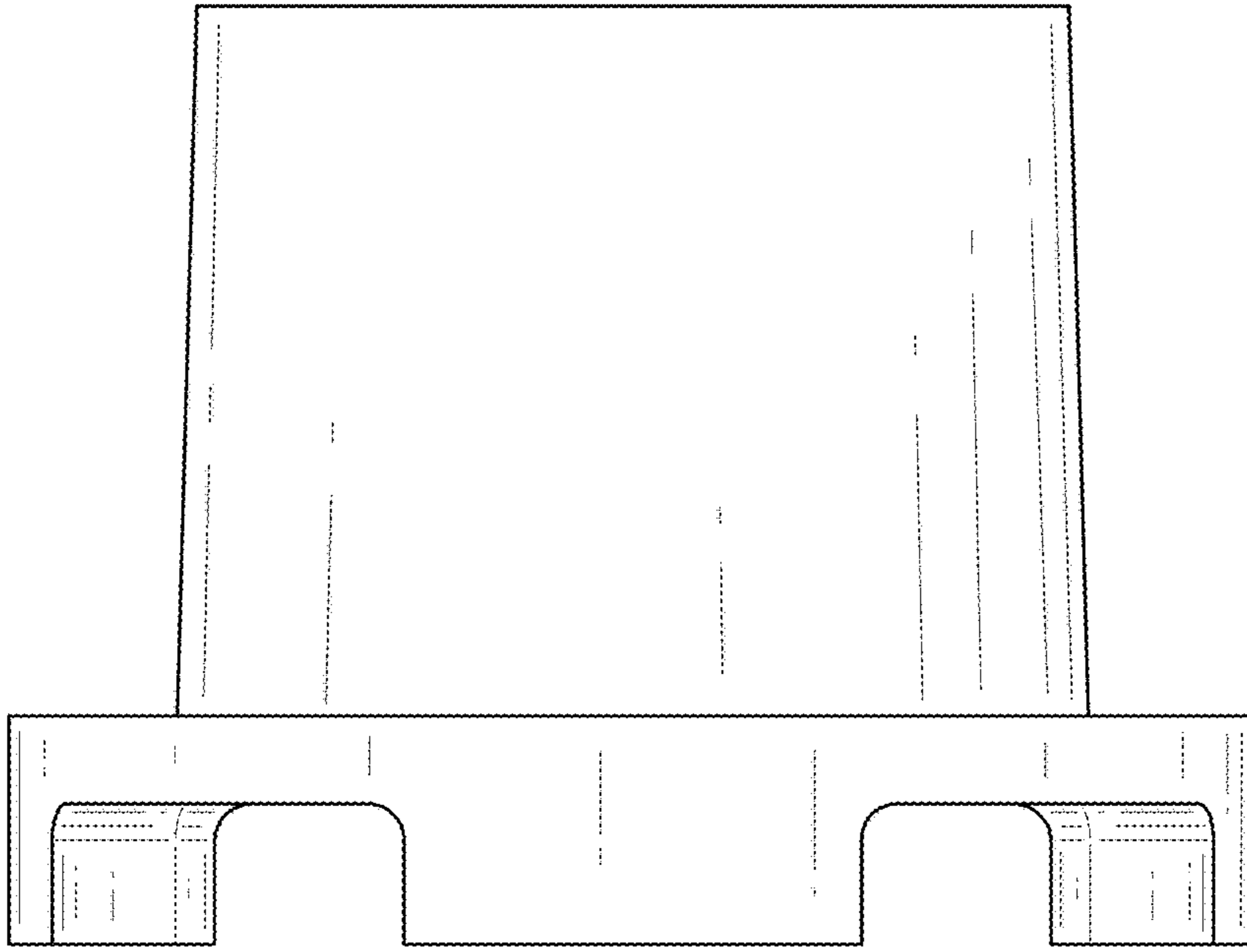


FIG. 11

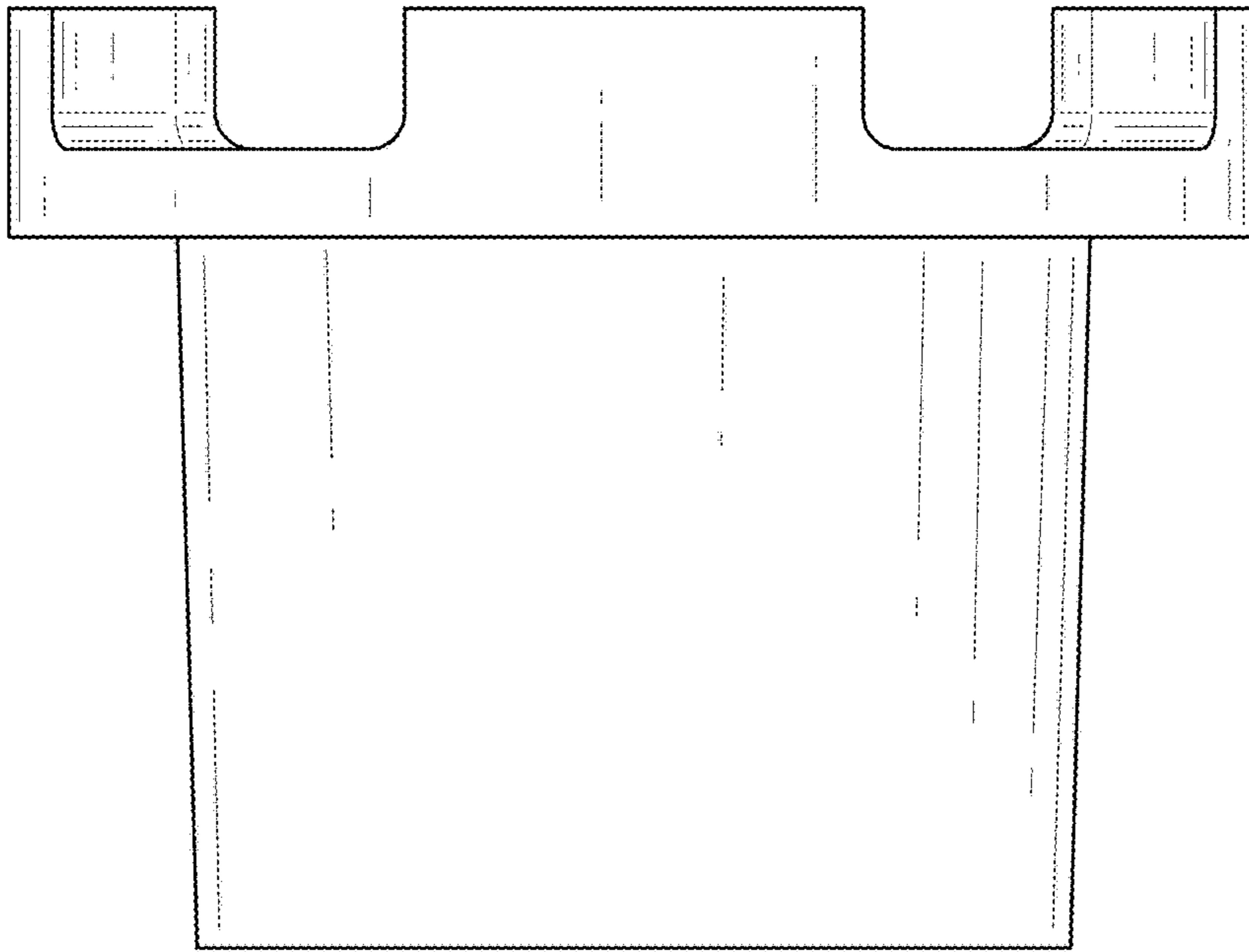


FIG. 12

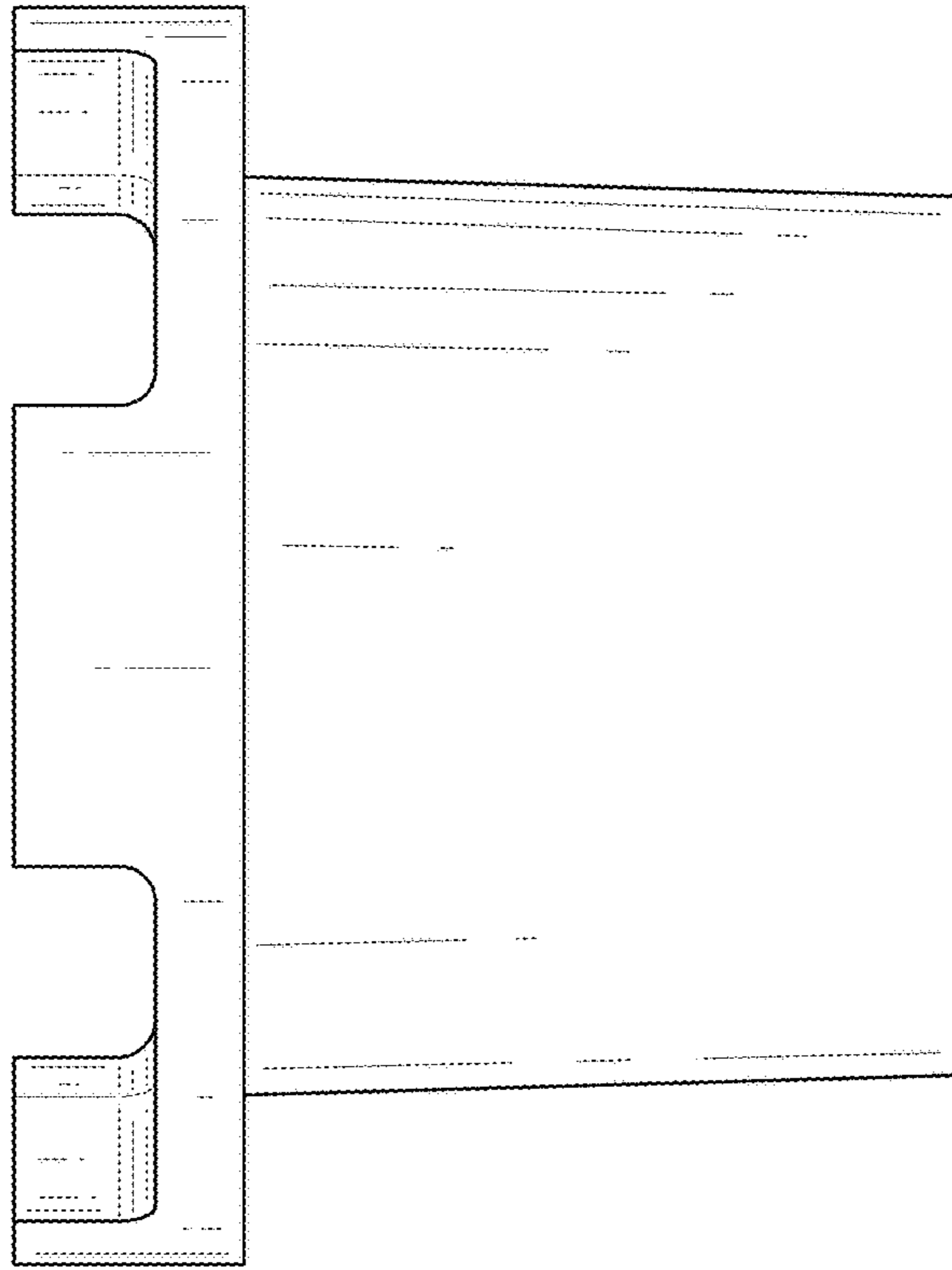


FIG. 13

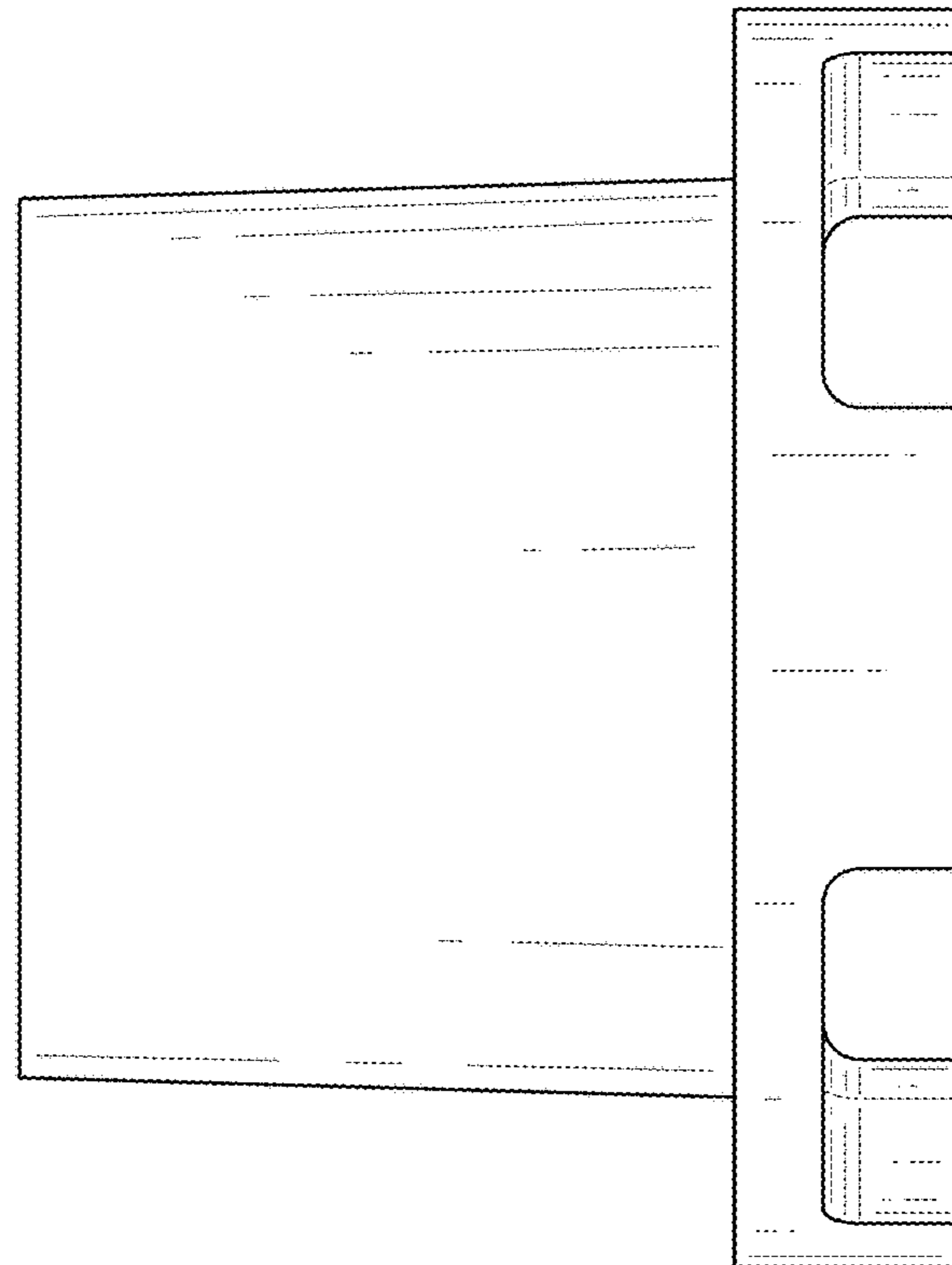


FIG. 14