



US00D865935S

(12) **United States Design Patent**  
**Hu**

(10) **Patent No.:** **US D865,935 S**

(45) **Date of Patent:** **\*\* Nov. 5, 2019**

(54) **PORTABLE AROMA DIFFUSER**

(71) Applicants: **SHENZHEN QIANHAI PATUOXUN NETWORK AND TECHNOLOGY CO., LTD**, Shenzhen (CN);  
**SHENZHEN QIWEISHIDAI TECHNOLOGY CO., LTD**, Shenzhen (CN)

(72) Inventor: **Zaihui Hu**, Shenzhen (CN)

(73) Assignees: **SHENZHENQIANHAIPATUOXUN NETWORKANDTECHNOLOGY CO.,LTD**, Shenzhen (CN);  
**SHENZHEN QIWEISHIDAI TECHNOLOGY CO., LTD**, Shenzhen (CN)

(\*\*) Term: **15 Years**

(21) Appl. No.: **29/699,371**

(22) Filed: **Jul. 25, 2019**

(51) **LOC (12) Cl.** ..... **28-99**

(52) **U.S. Cl.**  
USPC ..... **D23/366**

(58) **Field of Classification Search**  
USPC ..... D23/314, 325, 333-336, 355-367,  
D23/386-388  
CPC ... A61L 9/03; A61L 9/012; A61L 9/20; B01D  
53/007; B01D 53/885; A45D 33/025  
See application file for complete search history.

(56) **References Cited**

**U.S. PATENT DOCUMENTS**

D308,570 S *	6/1990	Twito .....	D23/354
D441,441 S *	5/2001	Upton .....	D23/366
D447,554 S *	9/2001	Briggs .....	D23/416
D476,725 S *	7/2003	Dushek .....	D23/365
D479,591 S *	9/2003	Brown .....	D23/366
D487,308 S *	3/2004	Engerant .....	D23/366
D491,289 S *	6/2004	Krieger .....	D26/26
D575,860 S *	8/2008	Wu .....	D23/366

D601,281 S *	9/2009	Howard .....	D26/26
D603,497 S *	11/2009	Choi .....	D23/364
D606,642 S *	12/2009	Weggelaar .....	D23/366
D626,206 S *	10/2010	Orihara .....	D23/366
D673,254 S *	12/2012	Browder .....	D23/366
D676,123 S *	2/2013	Hideharu .....	D23/370
D754,836 S *	4/2016	Park .....	D23/385
D765,826 S *	9/2016	Harris .....	D23/386
D773,629 S *	12/2016	Crisa' .....	D23/372
D799,018 S *	10/2017	Kim .....	D23/366
D802,024 S *	11/2017	Aoki .....	D15/5
D811,568 S *	2/2018	Terasaki .....	D23/351

(Continued)

**OTHER PUBLICATIONS**

Mofur Aroma Diffuser reference [Sep. 5, 2019] found online [Sep. 5, 2019]—<https://www.aliexpress.com/item/1975941623.html>.\*

(Continued)

*Primary Examiner* — Lakiya G Rogers

*Assistant Examiner* — John A Voytek

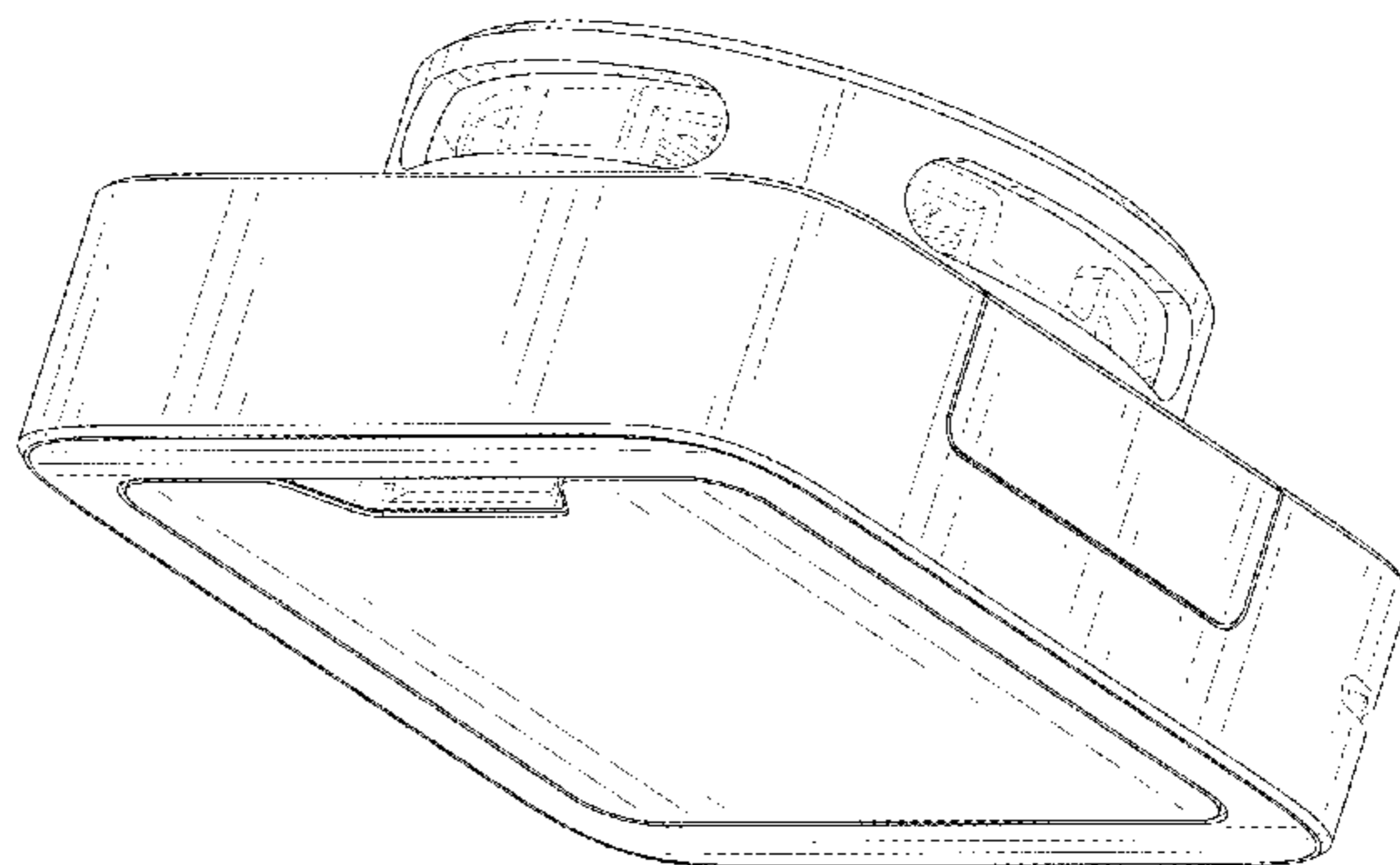
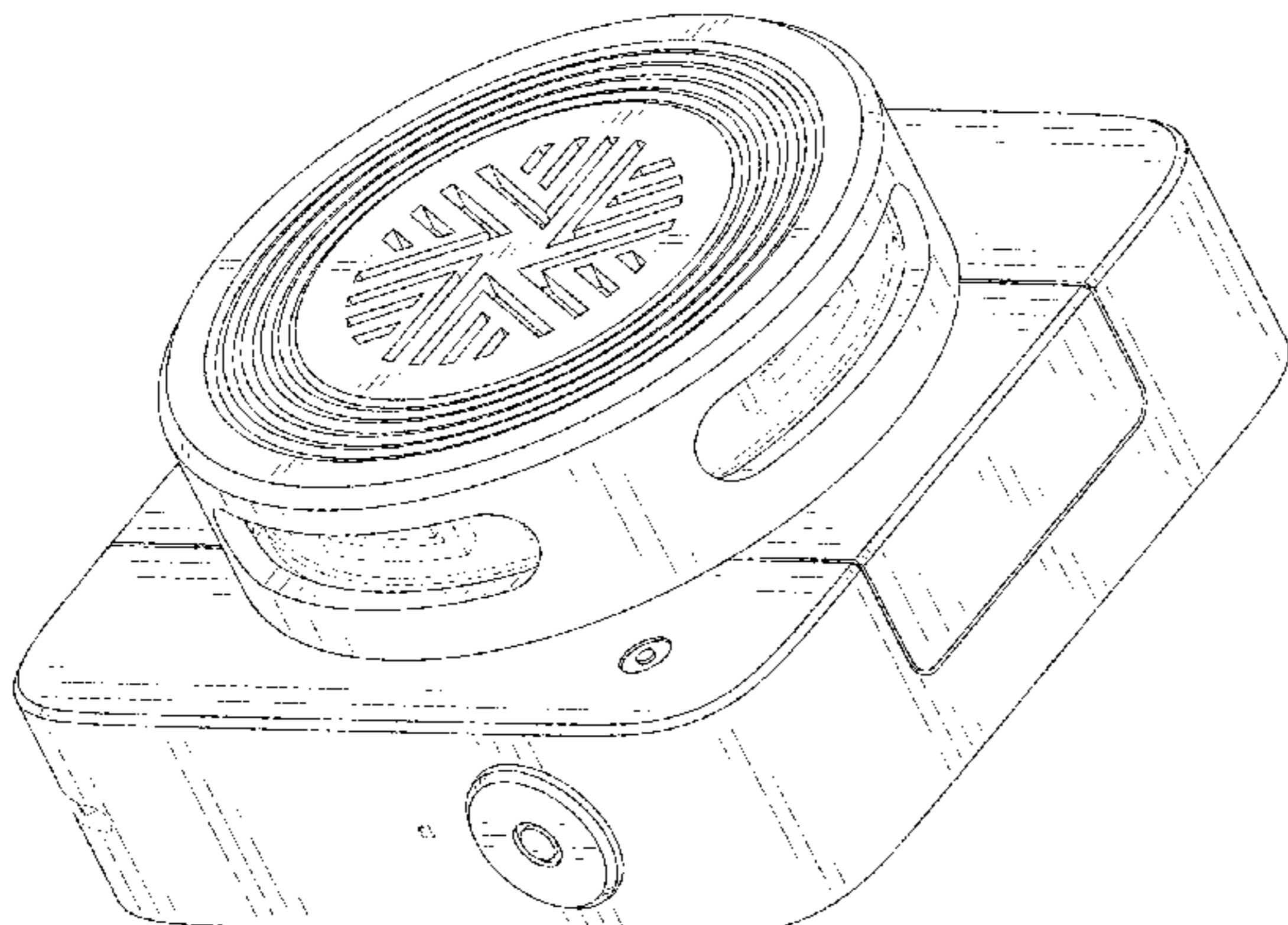
(57) **CLAIM**

The ornamental design for a portable aroma diffuser, as shown and described.

**DESCRIPTION**

FIG. 1 is a perspective view of a portable aroma diffuser showing my new design;  
FIG. 2 is another perspective view thereof;  
FIG. 3 is a front elevational view thereof;  
FIG. 4 is a rear elevational view thereof;  
FIG. 5 is a left side elevational view thereof;  
FIG. 6 is a right side elevational view thereof;  
FIG. 7 is a top plan view thereof; and,  
FIG. 8 is a bottom plan view thereof.  
The broken lines in the drawings depict portions of the portable aroma diffuser that form no part of the claimed design.

**1 Claim, 8 Drawing Sheets**



(56)

**References Cited**

## U.S. PATENT DOCUMENTS

D817,701 S \* 5/2018 Ho ..... D7/391  
D818,568 S \* 5/2018 Ediger ..... D23/335  
D834,236 S \* 11/2018 Amato ..... D26/89  
D840,061 S \* 2/2019 Kolenda ..... D26/26  
D841,713 S \* 2/2019 Miyashita ..... D15/199  
D855,785 S \* 8/2019 Kim ..... D23/364  
D858,872 S \* 9/2019 White ..... D27/186  
2019/0117820 A1\* 4/2019 Dam ..... A61L 9/20

## OTHER PUBLICATIONS

“OMJNH Portable humidifier with ultrasonic Oil Diffuser LED Night Light for Travel, Office, Hotel, Home,” Retrieved Jul. 24, 2019]. Retrieved from Internet, <https://www.amazon.com/OMJNH-Portable-humidifier-ultrasonic-Diffuser/dp/B07VDHFVZ3>.

“HoMedics BRT-150 Brethe Air Revitalizer”, Retrieved Jul. 24, 2019]. Retrieved from Internet, <https://www.amazon.com/Homedics-BRT-150-Brethe-Air-Revitalizer/dp/B000QTUK3C>.

“U.S. JACLEAN Aroma Globe Air Washer and Room Revitalizer Aromatizer with Scented Aroma Oils (Original)”, Retrieved Jul. 24, 2019]. Retrieved from Internet, <https://www.amazon.com/Easy-Comforts-Aroma-Globe-Diffuser/dp/B00FE4Q4R0>.

“Prolux White Water Based Air Purifier Humidifier and Aromatherapy Diffuser with LED Screen”, Retrieved Jul. 24, 2019]. Retrieved from Internet, <https://www.amazon.com/Prolux-Purifier-Humidifier-Aromatherapy-Diffuser/dp/B077NPNCW1>.

“EcoGecko Color Wheel Air Cleaner, Humidifier, Revitalizer with 12 LED 7 Color Lights—Plus Included Lavender Oil”, Retrieved Jul. 24, 2019]. Retrieved from Internet, <https://www.amazon.com/EcoGecko-Humidifier-Revitalizer-included-Lavender/dp/B01MZ0QFF6>.

\* cited by examiner

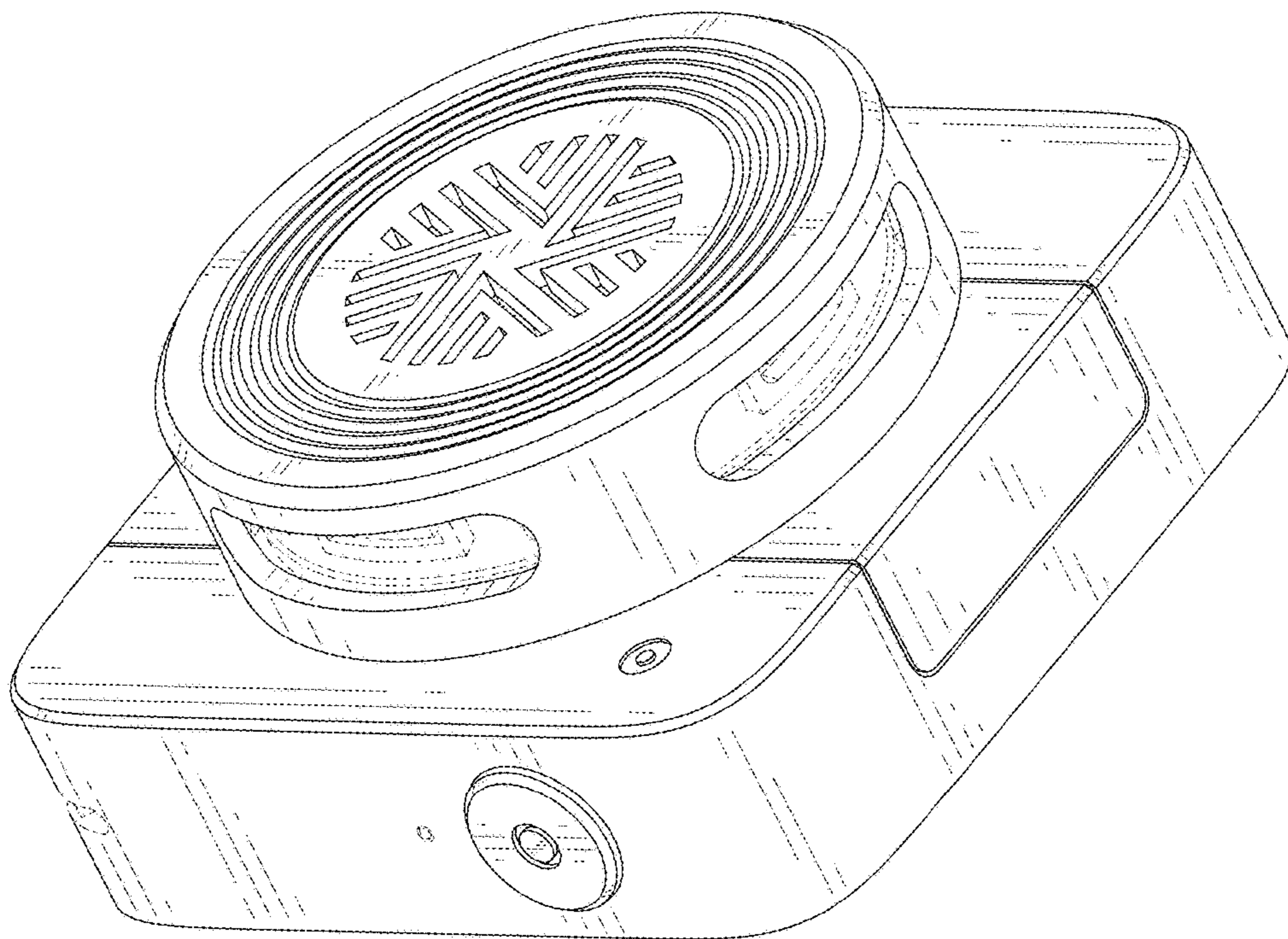


FIG. 1

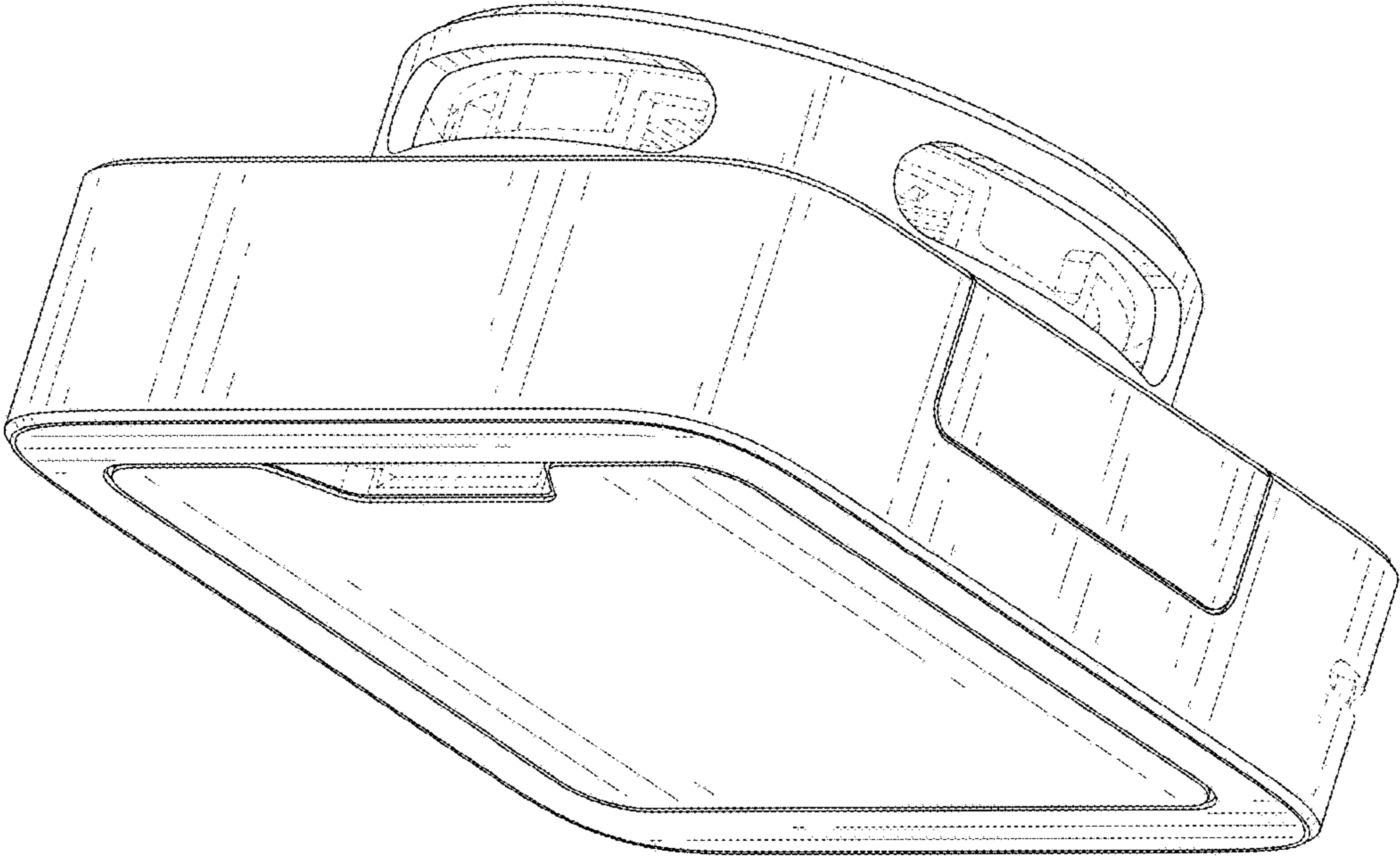


FIG. 2

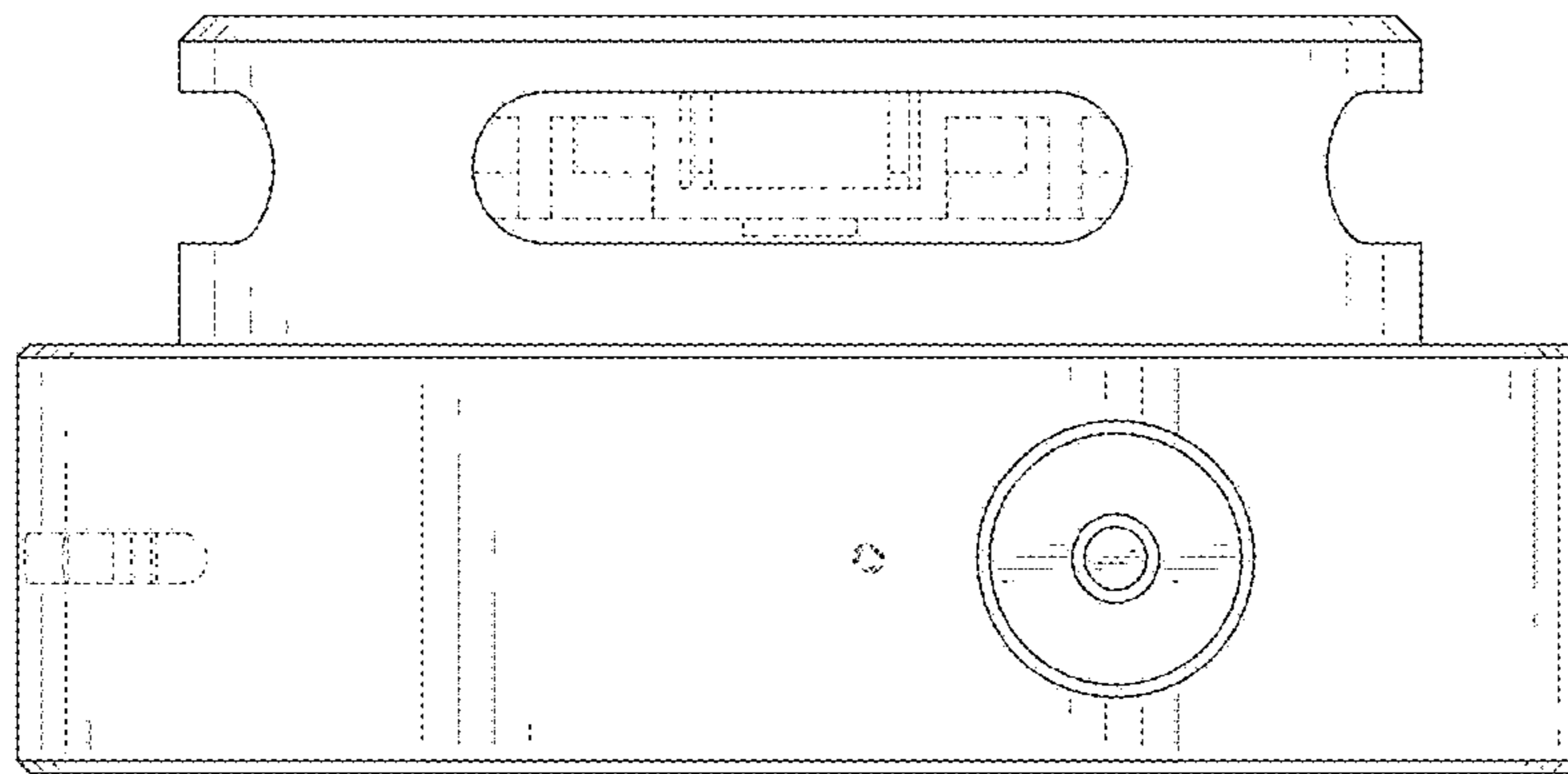


FIG. 3

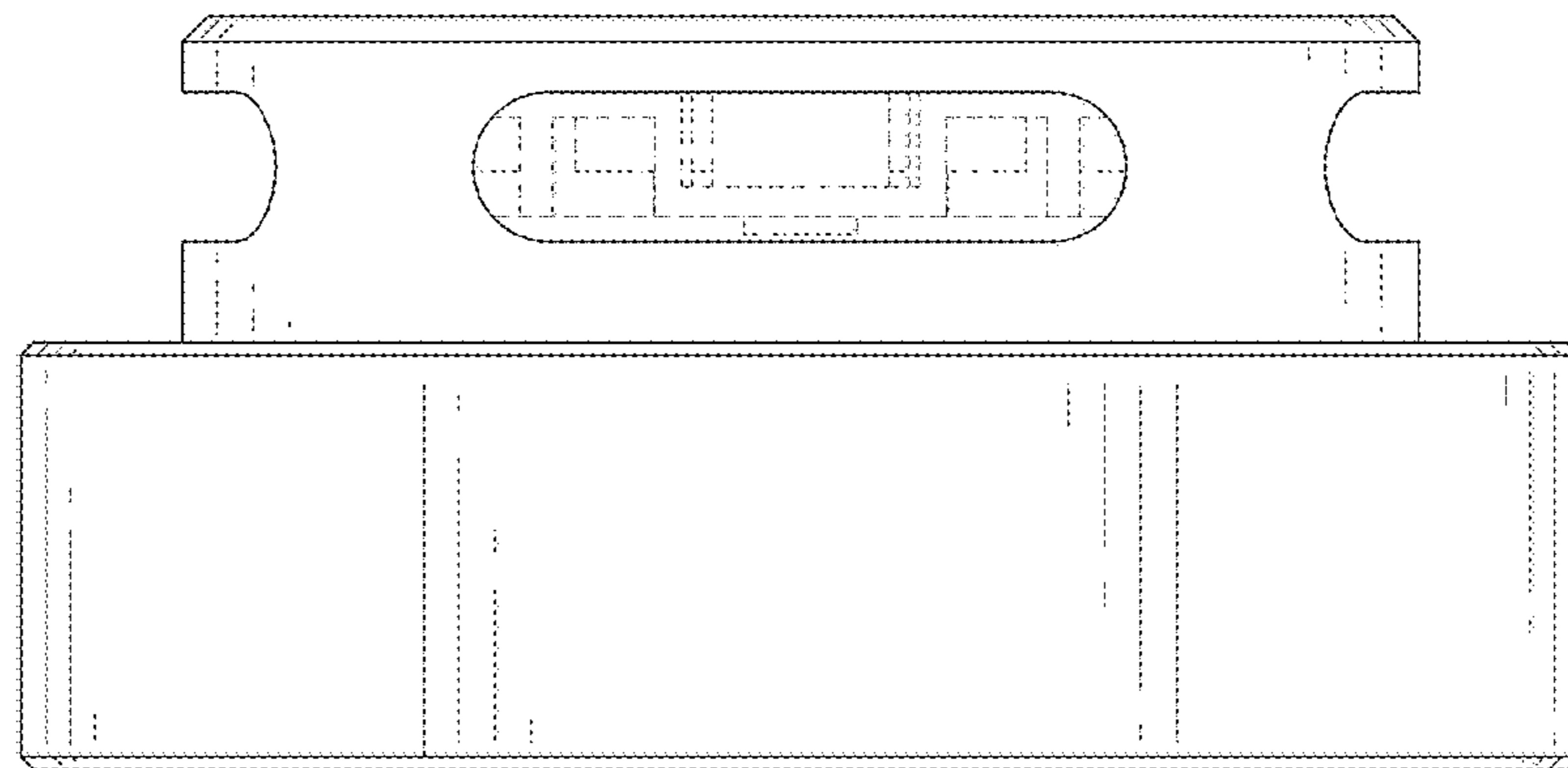


FIG. 4

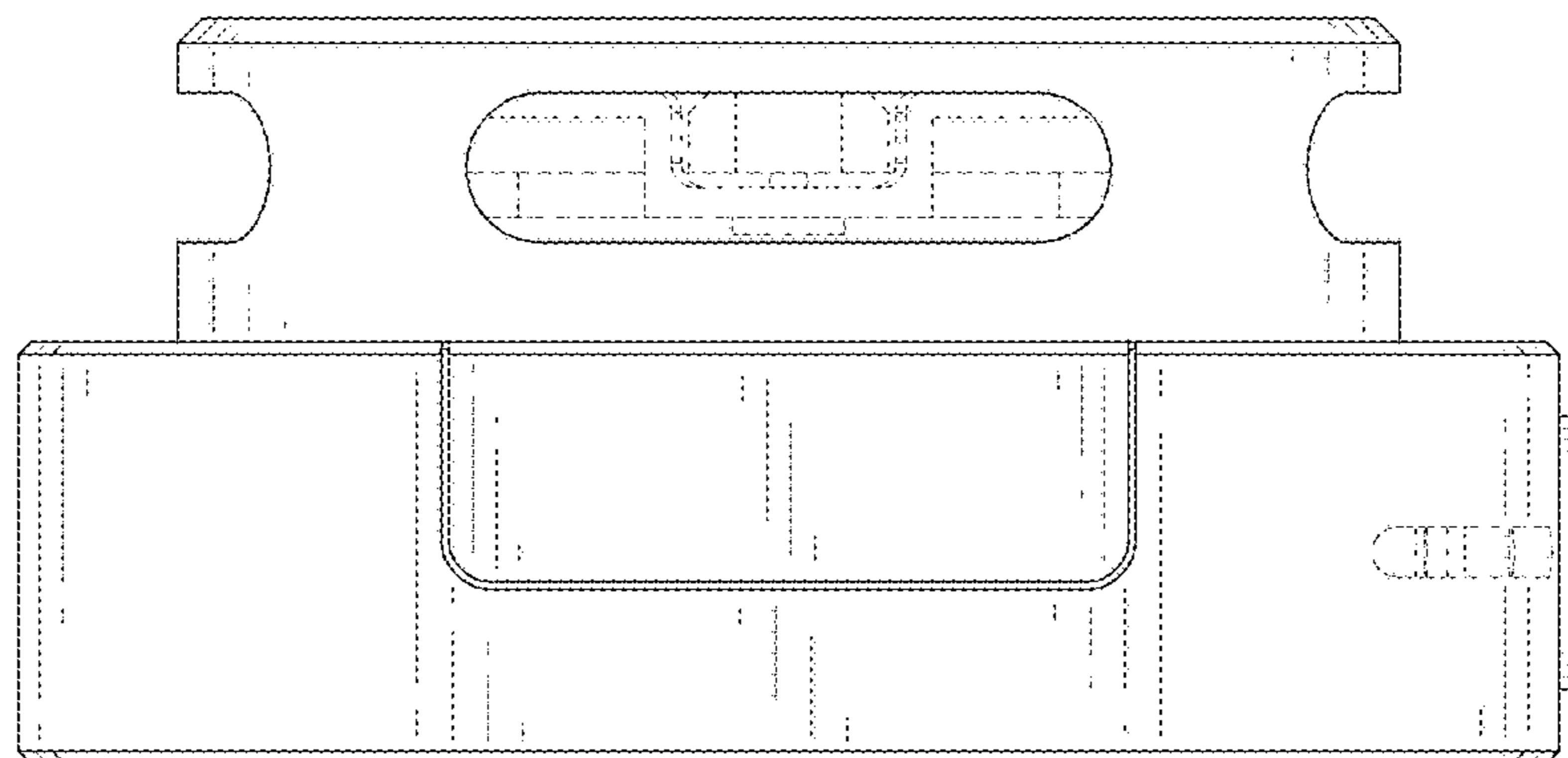


FIG. 5

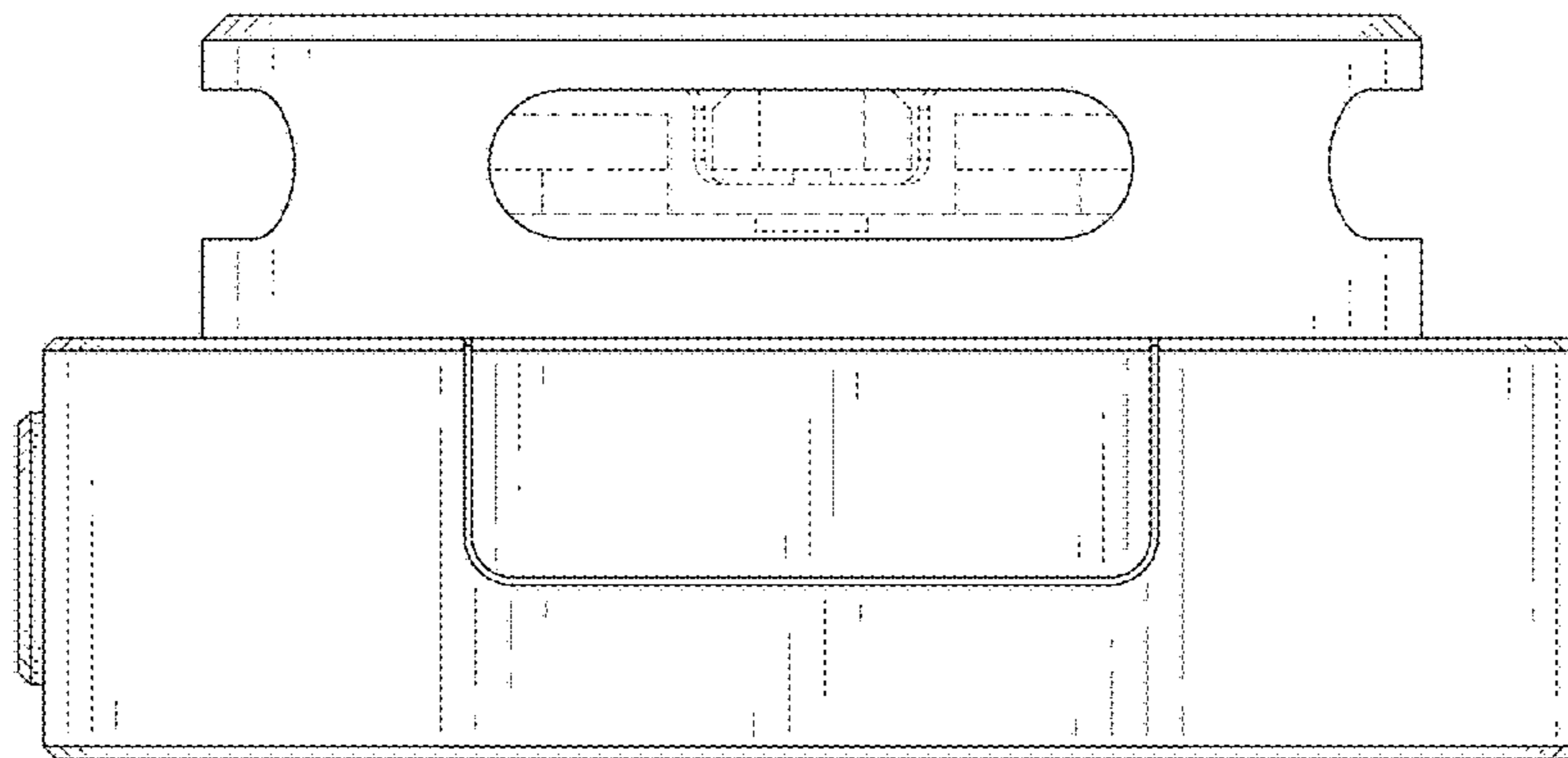


FIG. 6



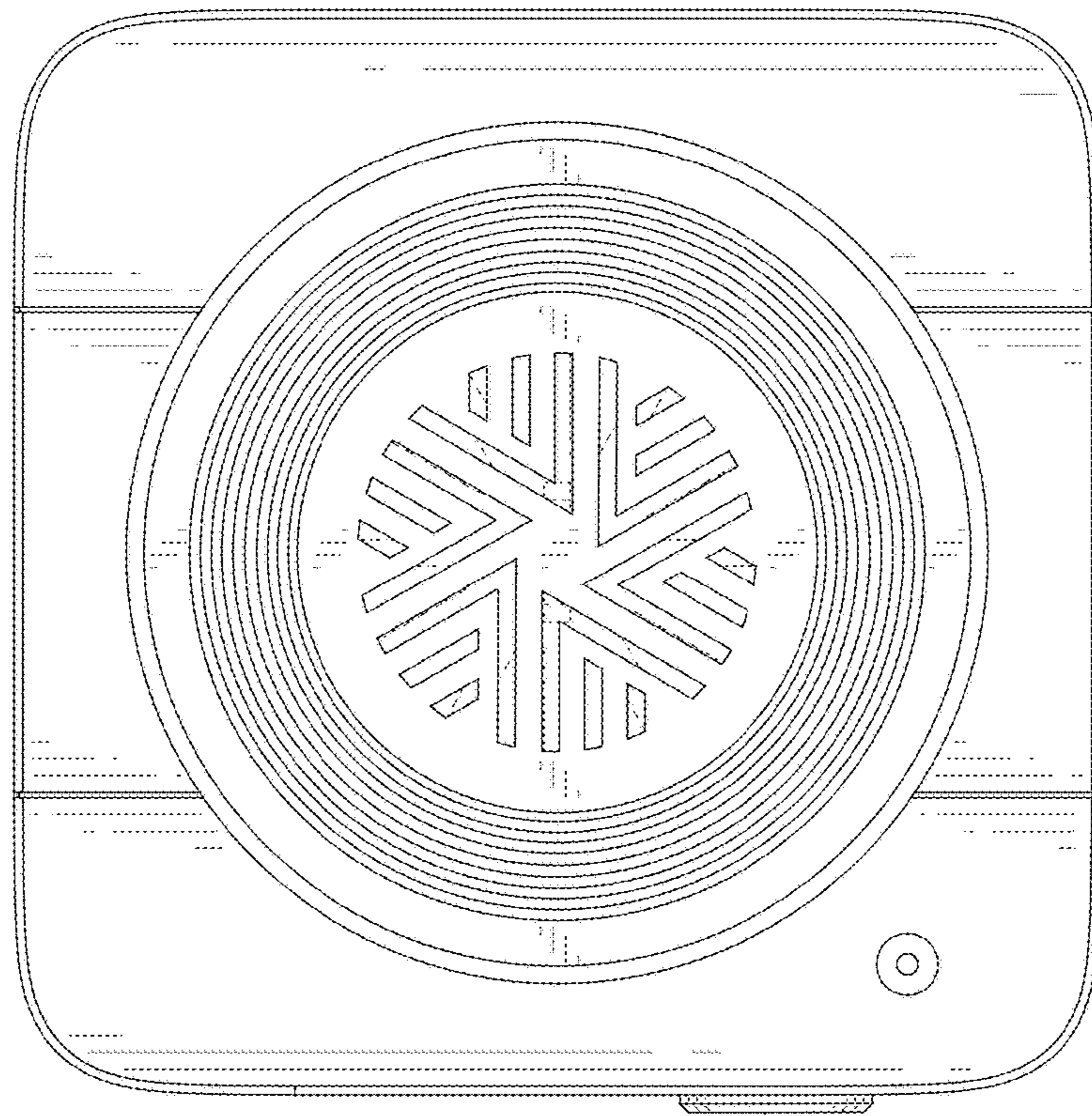


FIG. 7

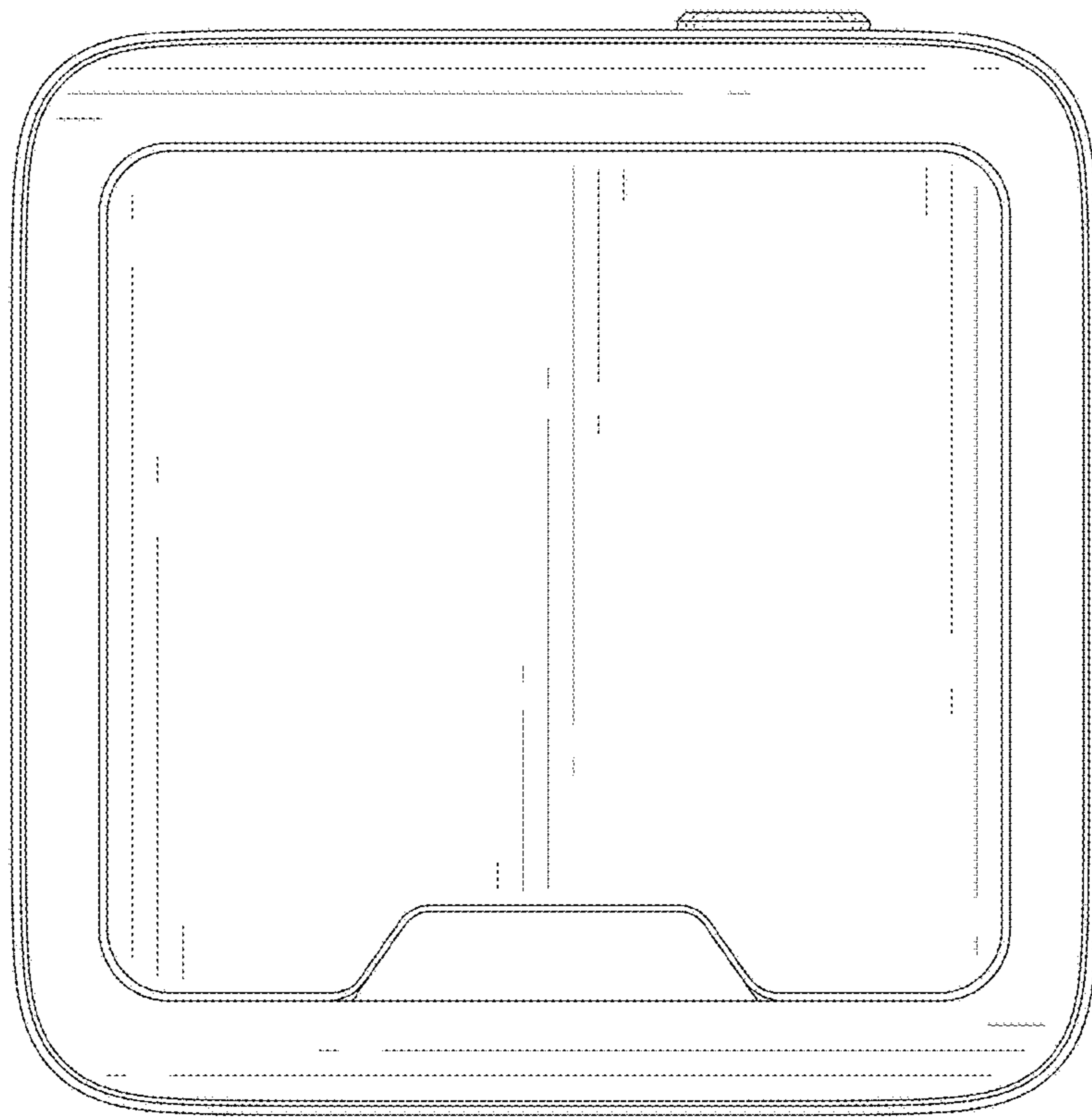


FIG. 8