



US00D865929S

(12) **United States Design Patent** (10) **Patent No.:** **US D865,929 S**
Hughes (45) **Date of Patent:** **** Nov. 5, 2019**

(54) **MODULAR FIRE PIT**
(71) Applicant: **Chad Hughes**, Portland, OR (US)
(72) Inventor: **Chad Hughes**, Portland, OR (US)
(**) Term: **15 Years**
(21) Appl. No.: **29/654,468**
(22) Filed: **Jun. 25, 2018**
(51) **LOC (12) Cl.** **23-03**
(52) **U.S. Cl.**
USPC **D23/332**
(58) **Field of Classification Search**
USPC D23/332, 314, 343, 348, 350, 346, 335;
D7/332-337, 402-405, 352
CPC F24C 1/16; F24C 5/00; A47J 33/00; A47J
37/0763; A47J 37/07; F24B 1/18; F24B
1/182; F24B 1/1808; F24B 1/181; F24B
1/195; F24B 1/191
See application file for complete search history.

D575,389 S * 8/2008 Lazzara D23/403
D595,833 S * 7/2009 Lazzara D23/403
9,651,191 B1 * 5/2017 Grisham A47C 9/10
D791,294 S * 7/2017 Grisham D23/343
D806,462 S * 1/2018 Zhang D7/332
9,970,661 B2 * 5/2018 Calvin F24B 1/205
D843,781 S * 3/2019 Jaggard D7/402
2004/0250807 A1 * 12/2004 Reiner F24C 1/16
126/9 R
2012/0204852 A1 * 8/2012 Boucher A47J 37/0763
126/30
2016/0195276 A1 * 7/2016 Calvin F24B 1/205
126/9 B
2016/0309662 A1 * 10/2016 Green A47J 37/0763
2017/0234545 A1 * 8/2017 Barford F24C 1/16
126/29

* cited by examiner

Primary Examiner — Michelle E. Wilson

Assistant Examiner — Ania Aman

(74) *Attorney, Agent, or Firm* — Harpman & Harpman

(57) **CLAIM**

The ornamental design for a modular fire pit, as shown and described.

(56) **References Cited**

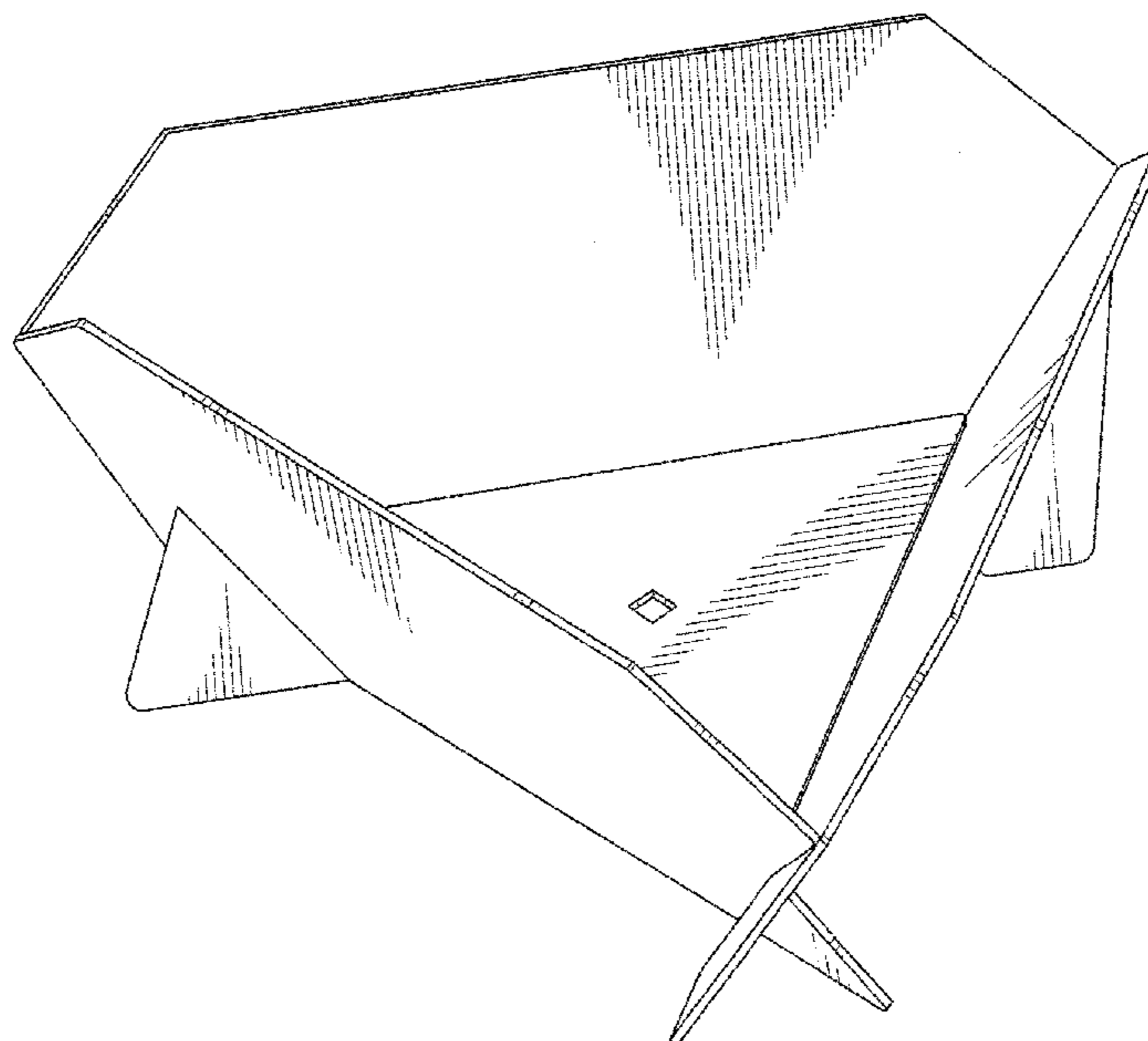
U.S. PATENT DOCUMENTS

D185,516 S * 6/1959 Smith D7/332
D194,964 S * 4/1963 Hanger D23/350
4,186,716 A * 2/1980 Baker A47J 37/0763
126/29
4,877,010 A * 10/1989 Hait F24C 1/16
126/9 A
4,896,650 A * 1/1990 Hait A47J 37/0763
126/152 B
4,938,202 A * 7/1990 Hait F24C 1/16
126/38
D546,114 S * 7/2007 Reiner F24C 1/16
D7/332

DESCRIPTION

FIG. 1 is a front perspective view of my new design.
FIG. 2 is a front elevational view thereof.
FIG. 3 is a rear elevational view thereof.
FIG. 4 is a right side elevational view thereof.
FIG. 5 is a left side elevational view thereof.
FIG. 6 is a top plan view thereof; and,
FIG. 7 is a bottom plan view thereof.

1 Claim, 5 Drawing Sheets



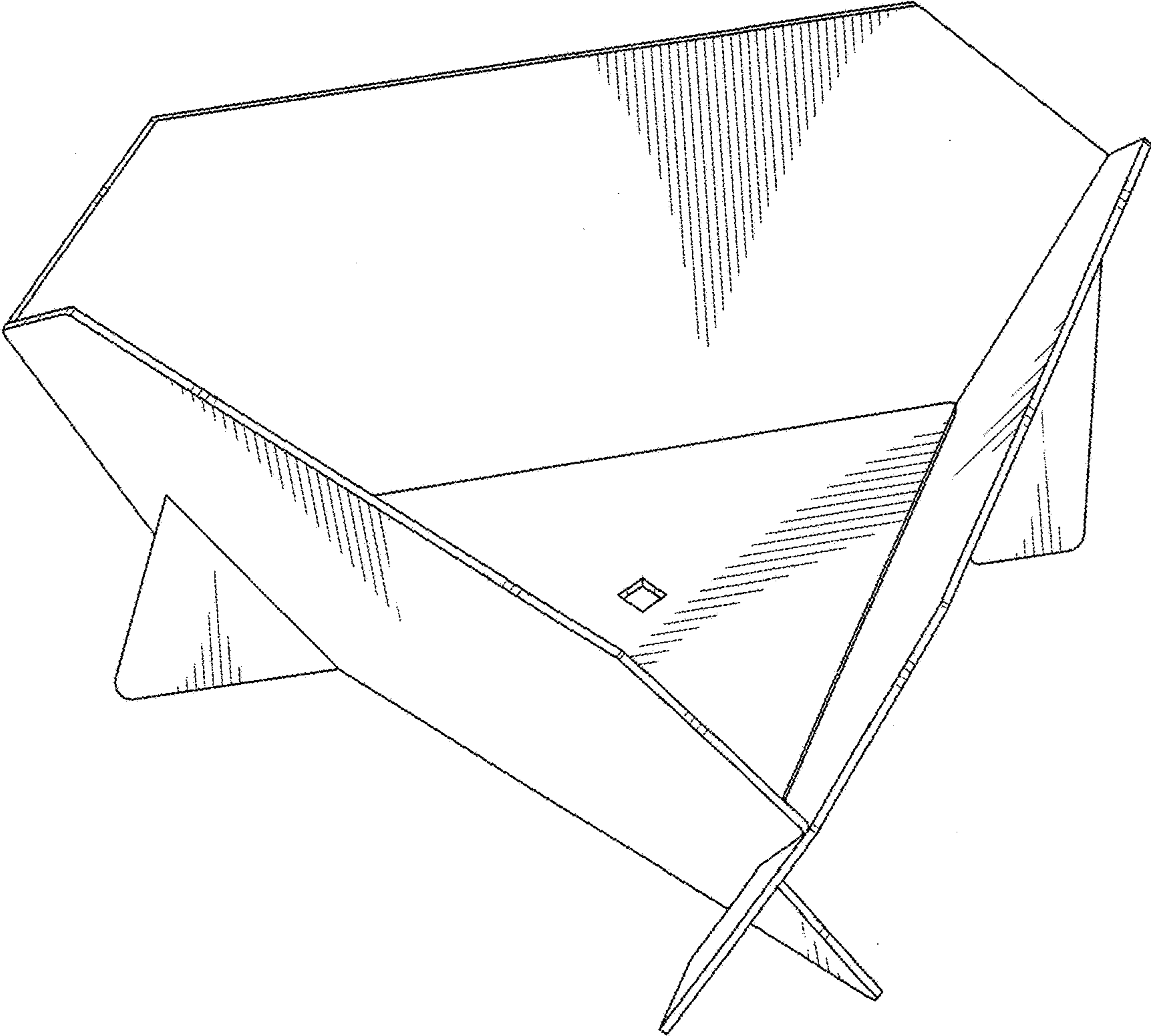


FIG. 1

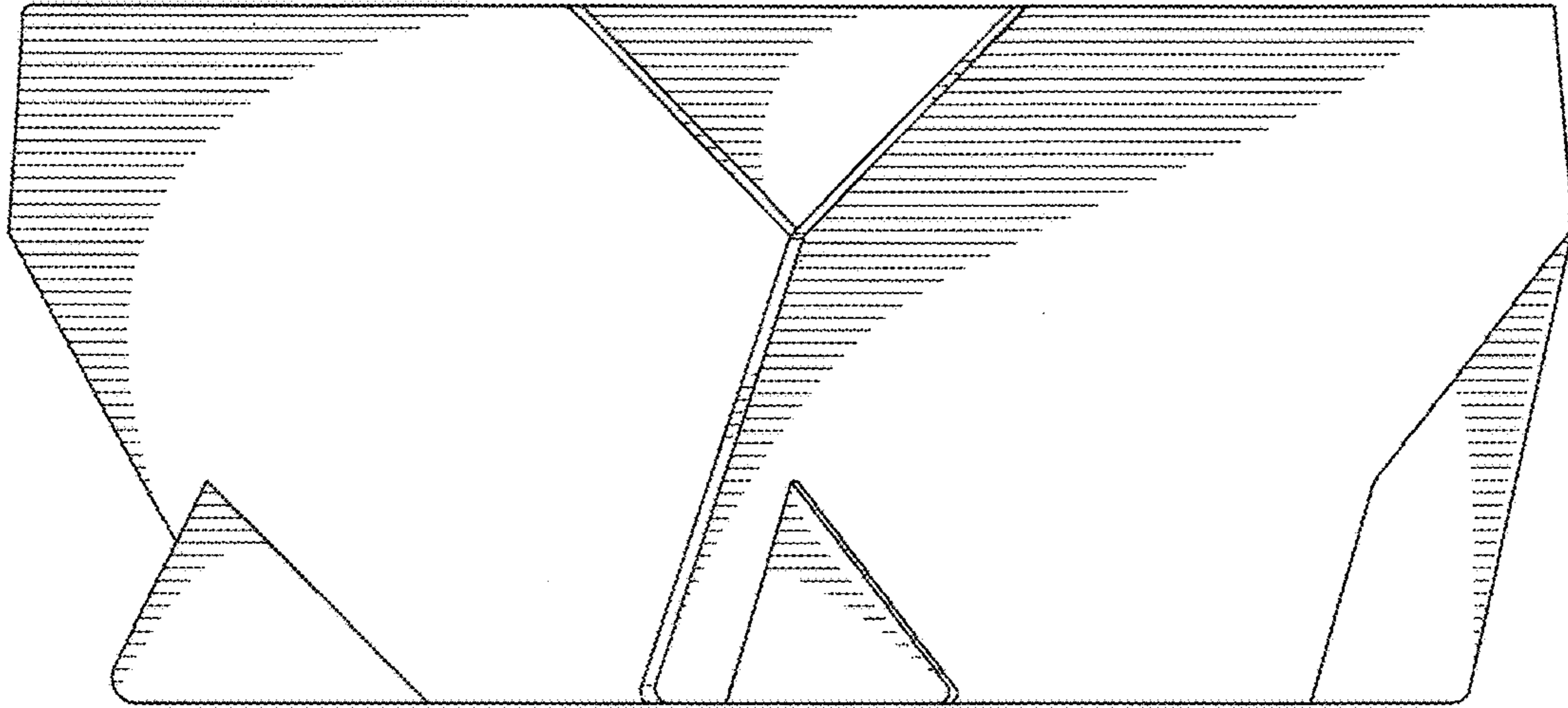


FIG. 2

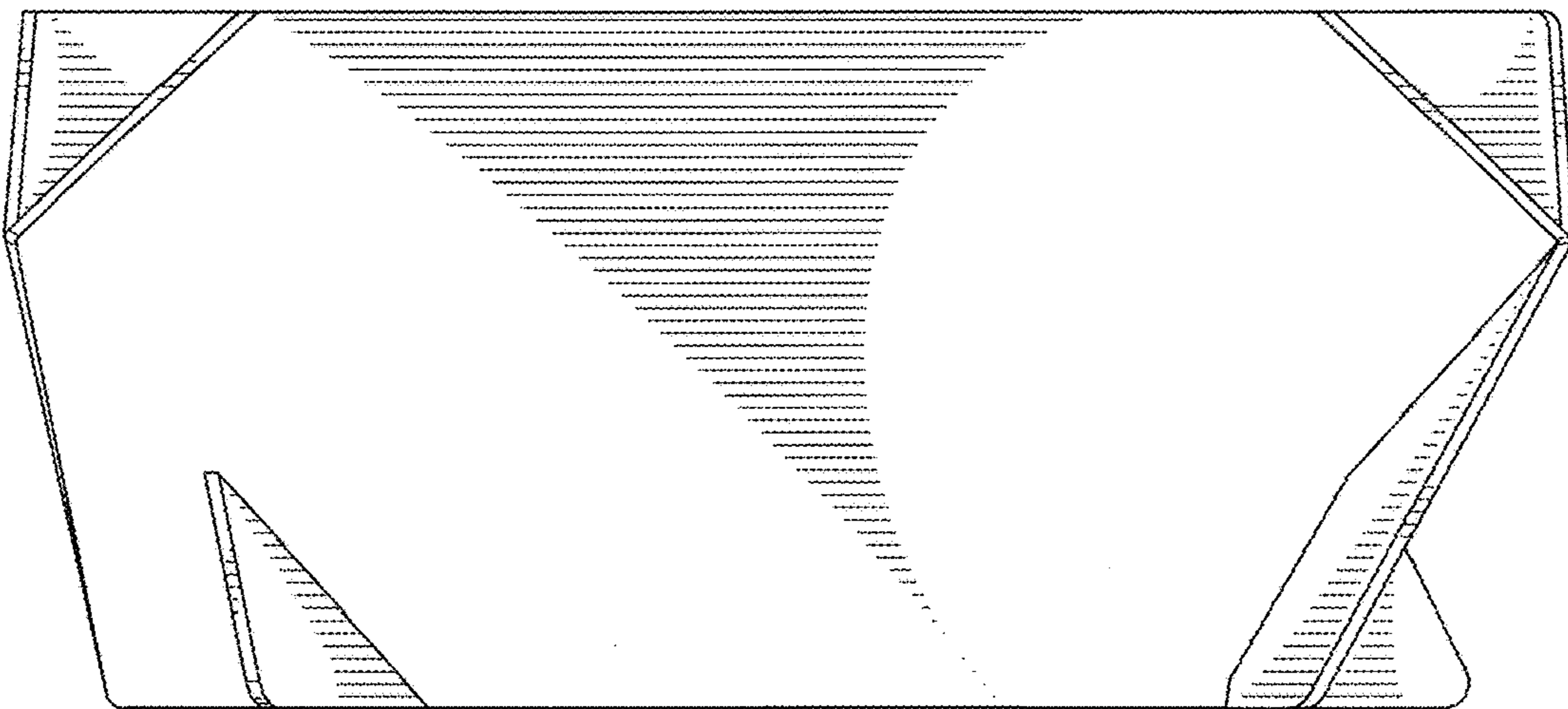


FIG. 3

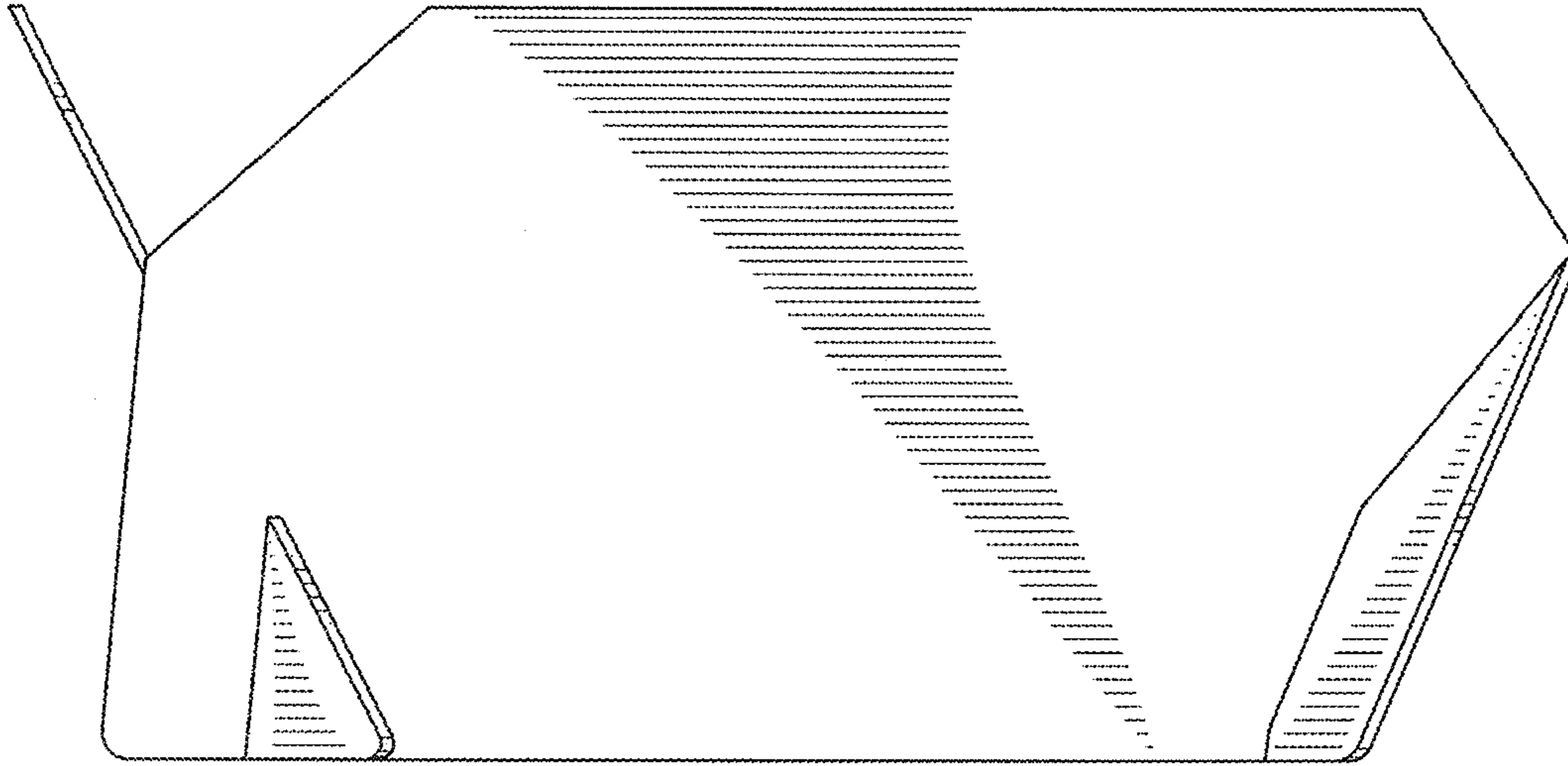


FIG. 4

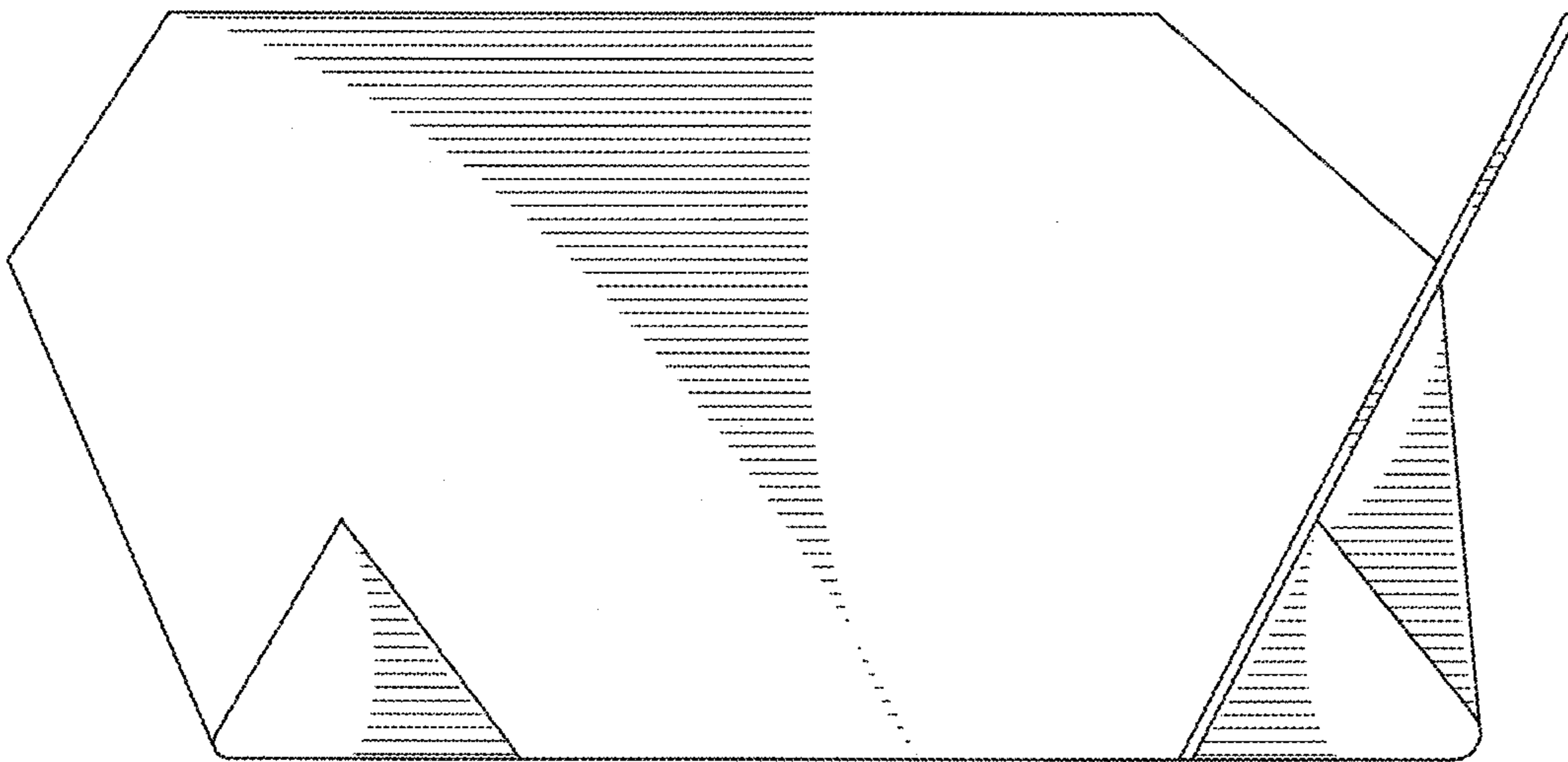


FIG. 5

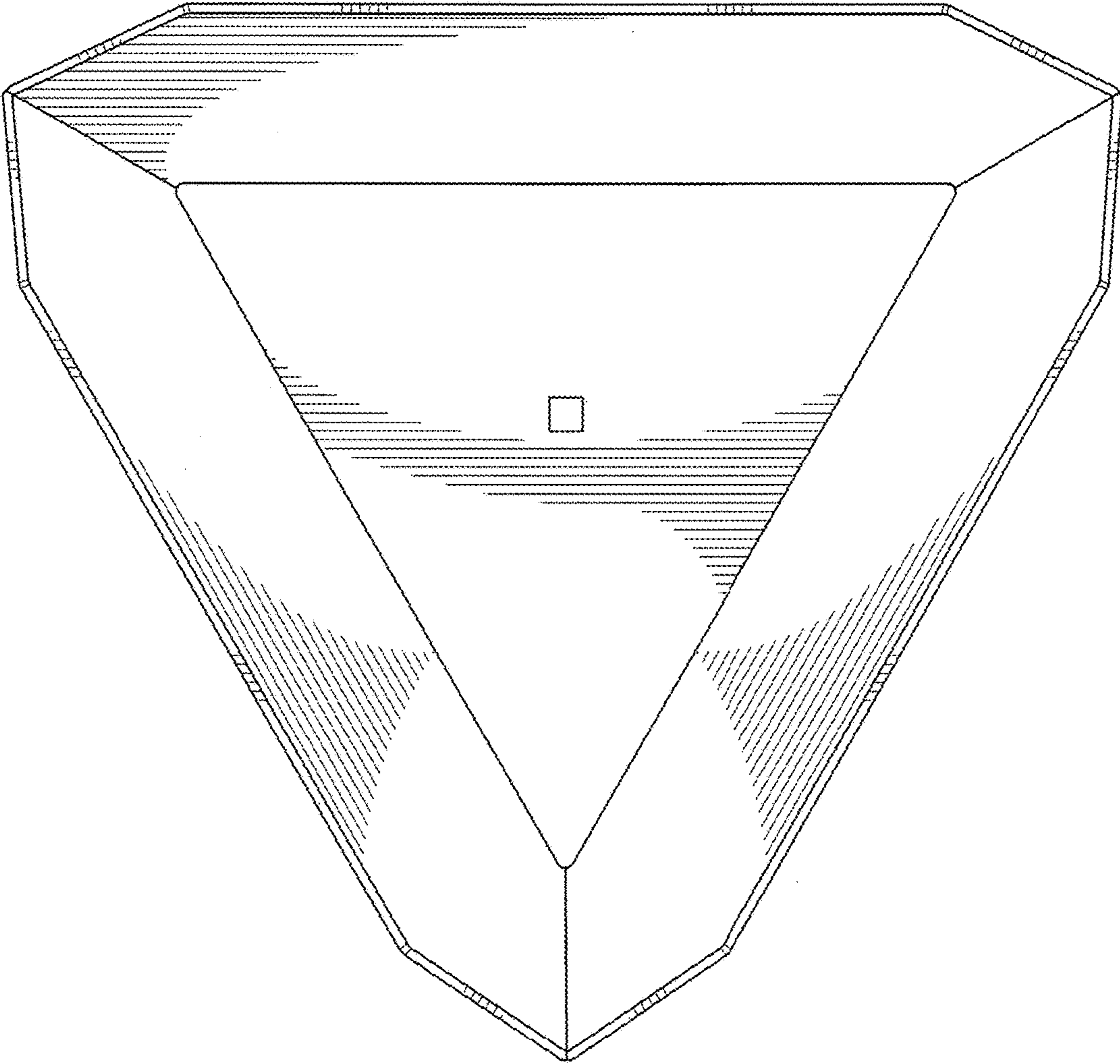


FIG. 6

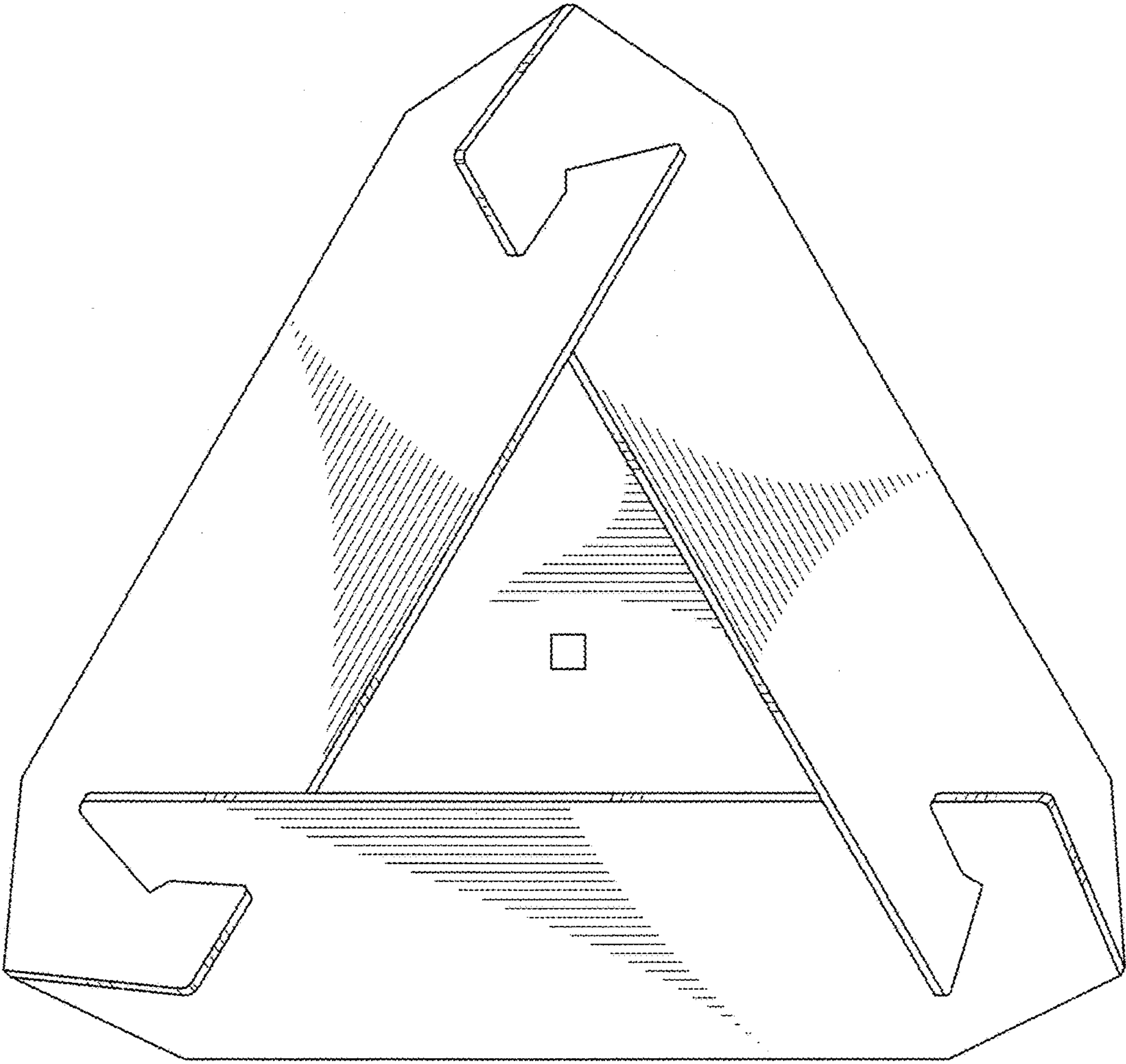


FIG. 7