



US00D865927S

(12) **United States Design Patent** (10) **Patent No.:** **US D865,927 S**
Baek et al. (45) **Date of Patent:** **** Nov. 5, 2019**

(54) **AIR CONDITIONER**

(56) **References Cited**

(71) Applicant: **LG ELECTRONICS INC.**, Seoul (KR)

U.S. PATENT DOCUMENTS

(72) Inventors: **Seungho Baek**, Seoul (KR); **Jaeyong Park**, Seoul (KR); **Hyein Jung**, Seoul (KR); **Gangui Cho**, Seoul (KR); **Inhyeuk Choi**, Seoul (KR)

D157,824 S *	3/1950	Wright	D23/333
D164,772 S *	10/1951	Hahl	D23/333
D389,235 S *	1/1998	Jane	D23/333
D550,204 S *	9/2007	Kaneda	D14/216
D652,021 S *	1/2012	Miyawaki	D14/216
D688,361 S *	8/2013	Wulf	D23/333
D688,778 S *	8/2013	Wulf	D23/333
D688,779 S *	8/2013	Wulf	D23/333
D689,174 S *	9/2013	Wulf	D23/333
D689,175 S *	9/2013	Wulf	D23/333
D726,892 S *	4/2015	Chan	D23/333

(73) Assignee: **LG ELECTRONICS INC.**, Seoul (KR)

(**) Term: **15 Years**

(Continued)

(21) Appl. No.: **35/505,743**

Primary Examiner — Khawaja Anwar

(22) Filed: **Mar. 22, 2018**

(74) *Attorney, Agent, or Firm* — Birch, Stewart, Kolash & Birch, LLP

(80) **Hague Agreement Data**

Int. Filing Date: **Mar. 22, 2018**

Int. Reg. No.: **DM/100490**

Int. Reg. Date: **Mar. 22, 2018**

Int. Reg. Pub. Date: **Sep. 28, 2018**

(57) **CLAIM**

The ornamental design for an air conditioner, as shown and described.

(30) **Foreign Application Priority Data**

Sep. 22, 2017 (KR) 30-2017-0044688

(51) **LOC (12) Cl.** **23-04**

(52) **U.S. Cl.**
USPC **D23/325**

(58) **Field of Classification Search**

USPC D23/352, 333, 335, 341, 342, 357, 353, D23/354, 355, 356, 359, 364, 365, 370

CPC .. F24F 11/30; F24F 11/52; F24F 11/62; F24F 2110/00; F24F 2110/10; F24F 11/58; F24F 11/61; F24F 11/63; F24F 11/46; F24F 11/523; F24F 11/56; F24F 11/59; F24F 11/64; F24F 11/65; F24F 11/89; F24F 1/00075; F24F 2110/20; F24F 2110/40; F24F 2120/20; F24F 2140/50; F24F 2140/60

See application file for complete search history.

DESCRIPTION

1. Air conditioner

1.1 : Perspective

1.2 : Front

1.3 : Back

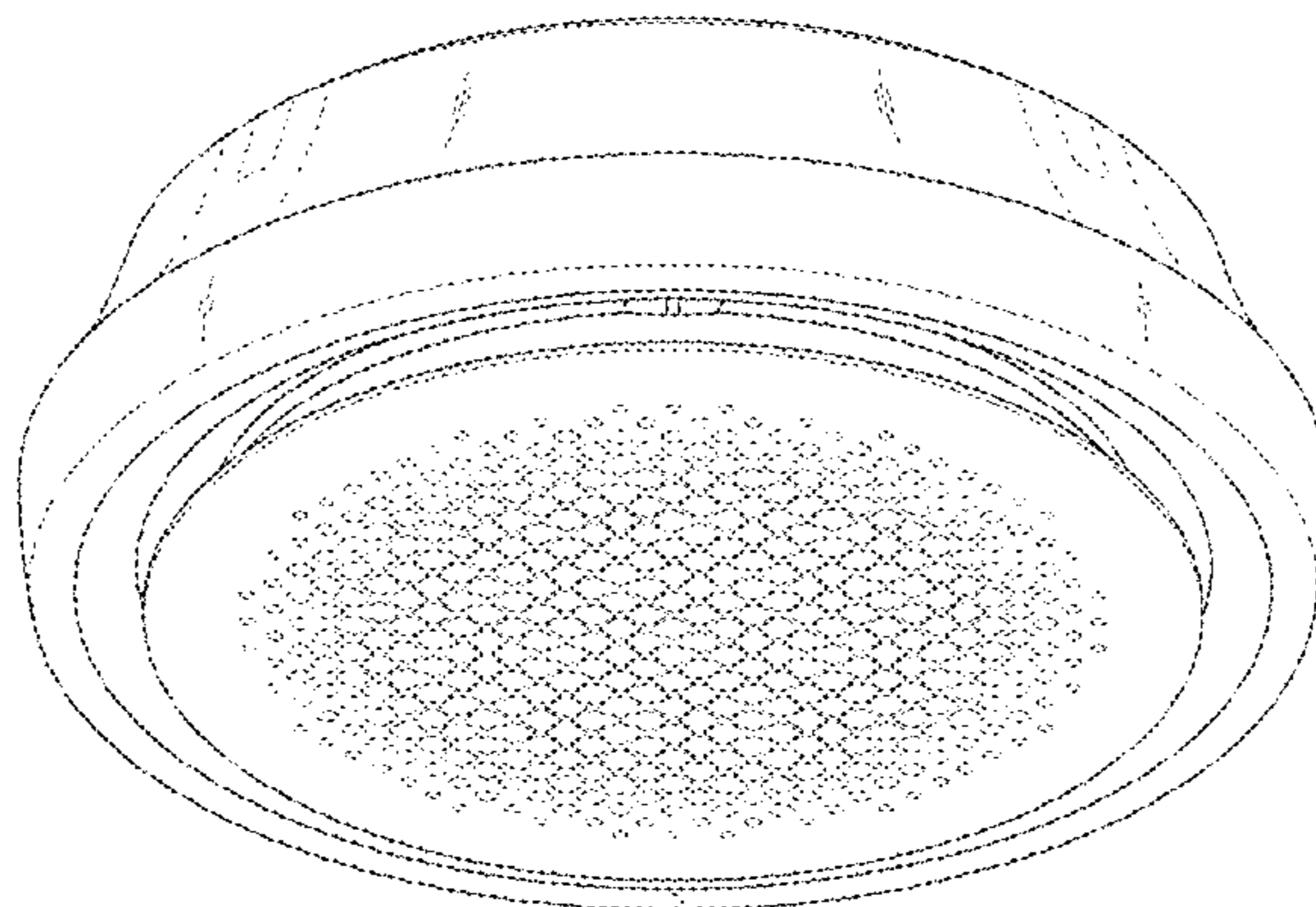
1.4 : Left

1.5 : Top

1.6 : Bottom

The broken lines depict portions of the air conditioner that form no part of the claimed design; reproduction 1.1 is a bottom perspective view of the air conditioner; reproduction 1.2 is a front view thereof; reproduction 1.3 is a back view thereof; reproduction 1.4 is a left view thereof where the right view is a mirror image; reproduction 1.5 is a top view thereof; reproduction 1.6 is a bottom view thereof; this is a design for an air conditioner which can be installed on the ceiling.

1 Claim, 6 Drawing Sheets



(56)

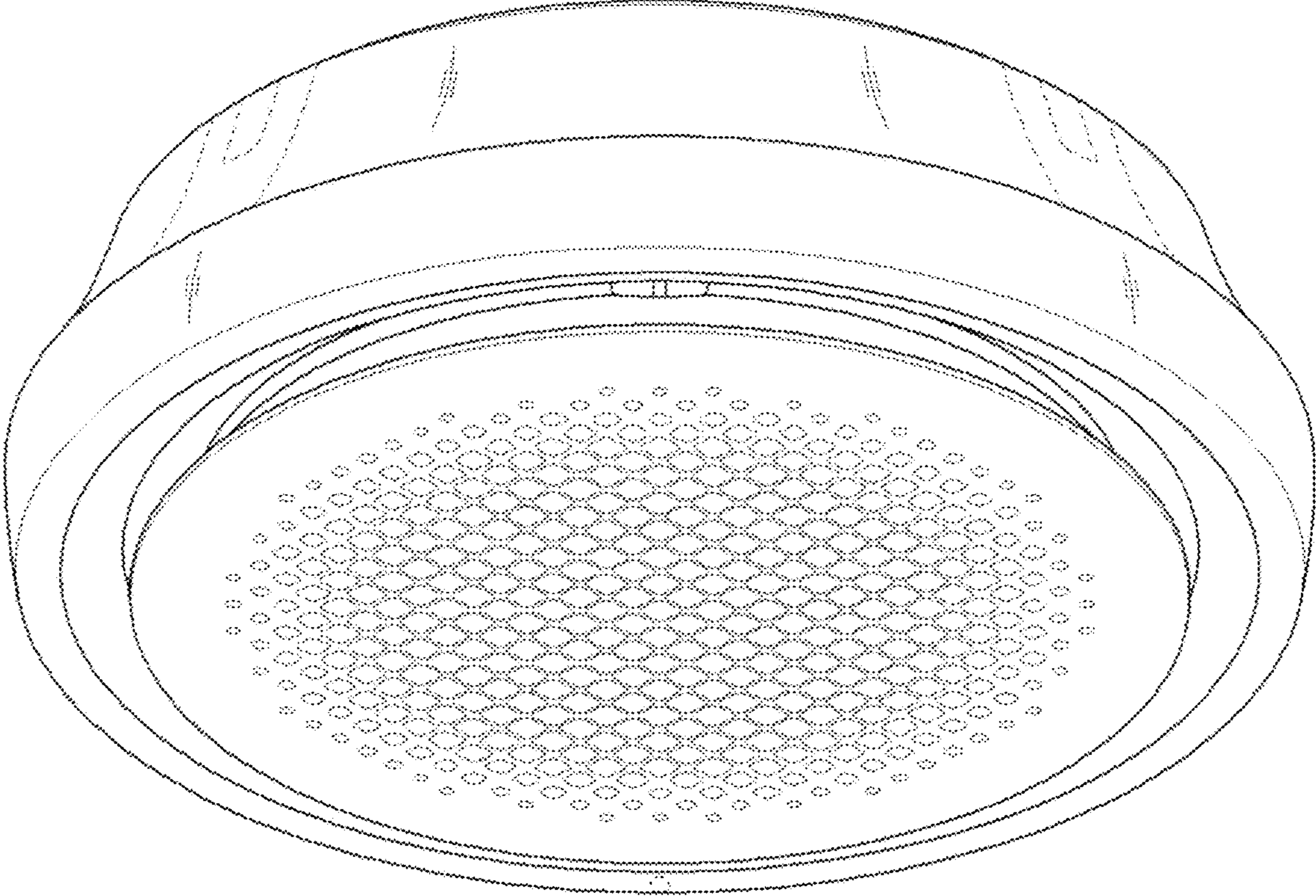
References Cited

U.S. PATENT DOCUMENTS

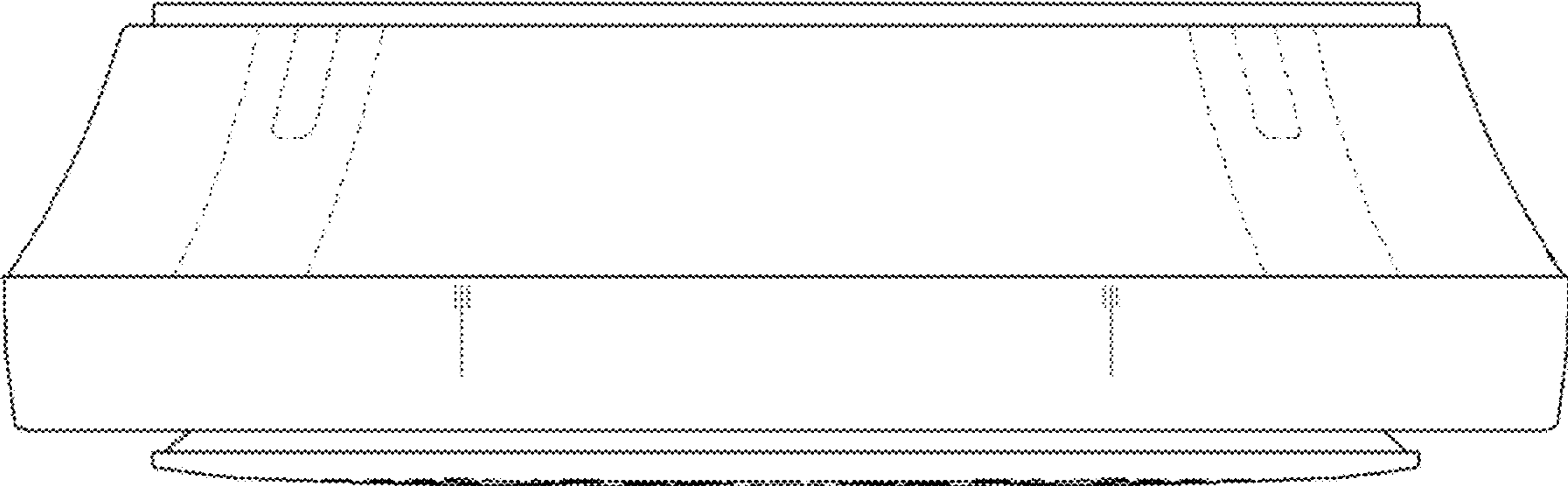
D735,836 S *	8/2015	Yamagishi	D23/259
D788,896 S *	6/2017	Shin	D23/351
D819,796 S *	6/2018	Shin	D23/351
D820,962 S *	6/2018	Shin	D23/351
D836,759 S *	12/2018	Baek	D23/352
D837,353 S *	1/2019	Baek	D23/352

* cited by examiner

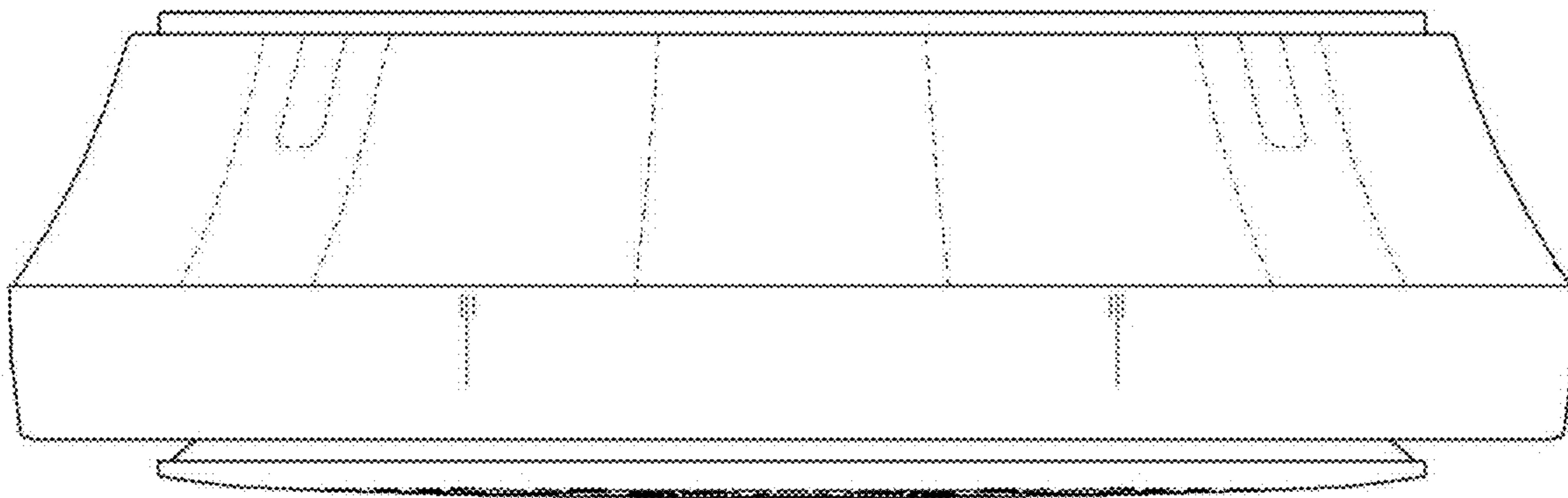
1.1



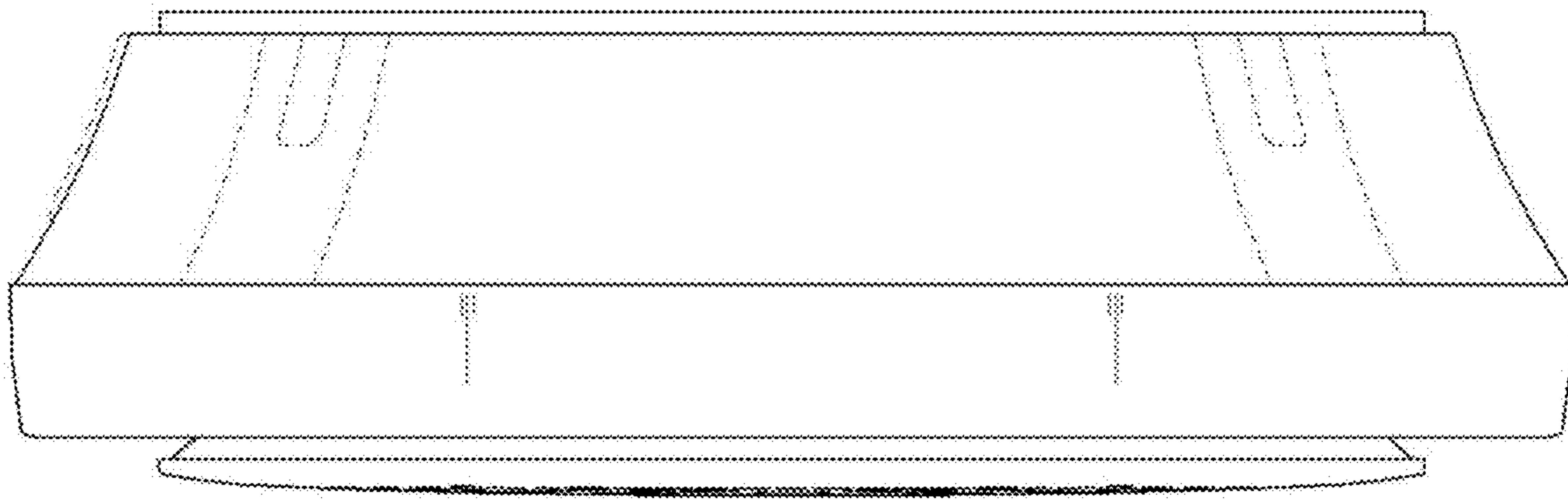
1.2



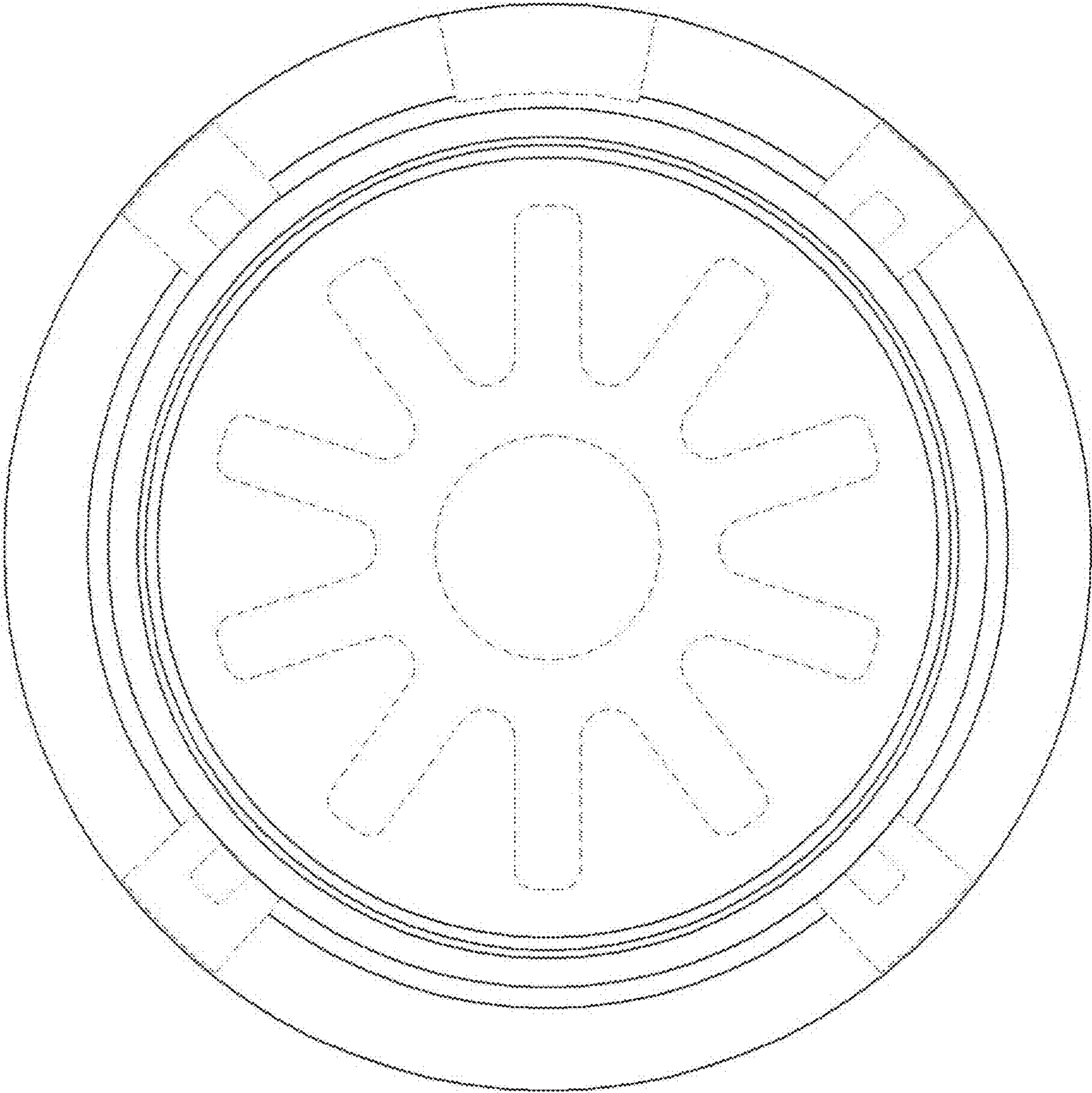
1.3



1.4



1.5



1.6

