



US00D865923S

(12) **United States Design Patent** (10) **Patent No.:** **US D865,923 S**  
**Wieser et al.** (45) **Date of Patent:** **\*\* Nov. 5, 2019**

- (54) **BASIN**
- (71) Applicant: **Bradley Fixtures Corporation**,  
Menomonee Falls, WI (US)
- (72) Inventors: **Matthias Wieser**, Wendlingen (DE);  
**Pablo Bernal Ruesta**, Stuttgart (DE);  
**Alexander Hoffart**, Bindlach (DE);  
**Andreas Dimitriadis**, Lorch (DE)
- (73) Assignee: **Bradley Fixtures Corporation**,  
Menomonee Falls, WI (US)

(\*\*) Term: **15 Years**

(21) Appl. No.: **29/681,151**

(22) Filed: **Feb. 22, 2019**

**Related U.S. Application Data**

- (60) Continuation of application No. 29/608,028, filed on Jun. 19, 2017, which is a division of application No. 29/562,620, filed on Apr. 27, 2016, now abandoned.
- (51) **LOC (12) Cl.** ..... **23-02**
- (52) **U.S. Cl.**  
USPC ..... **D23/284**
- (58) **Field of Classification Search**  
USPC ..... D23/284–292, 293.1, 303, 308; D9/425;  
D8/1; D11/155, 156; D3/304  
CPC ..... A47K 1/04; A47B 77/06; A47J 47/20  
See application file for complete search history.

(56) **References Cited**

**U.S. PATENT DOCUMENTS**

- D687,530 S \* 8/2013 McGuire ..... D23/308
- D721,426 S \* 1/2015 Bartlett ..... D23/290

- D735,837 S \* 8/2015 Bartlett ..... D23/290
- D735,838 S \* 8/2015 Bartlett ..... D23/290
- D745,120 S \* 12/2015 Adkison ..... D23/284
- D745,122 S \* 12/2015 Schonherr ..... D23/284
- D745,646 S \* 12/2015 Schonherr ..... D23/284
- D813,996 S \* 3/2018 Wieser ..... D23/284
- D840,005 S \* 2/2019 Wieser ..... D23/290

\* cited by examiner

*Primary Examiner* — Lakiya G Rogers

*Assistant Examiner* — John A Voytek

(74) *Attorney, Agent, or Firm* — Boyle Fredrickson, S.C.

(57) **CLAIM**

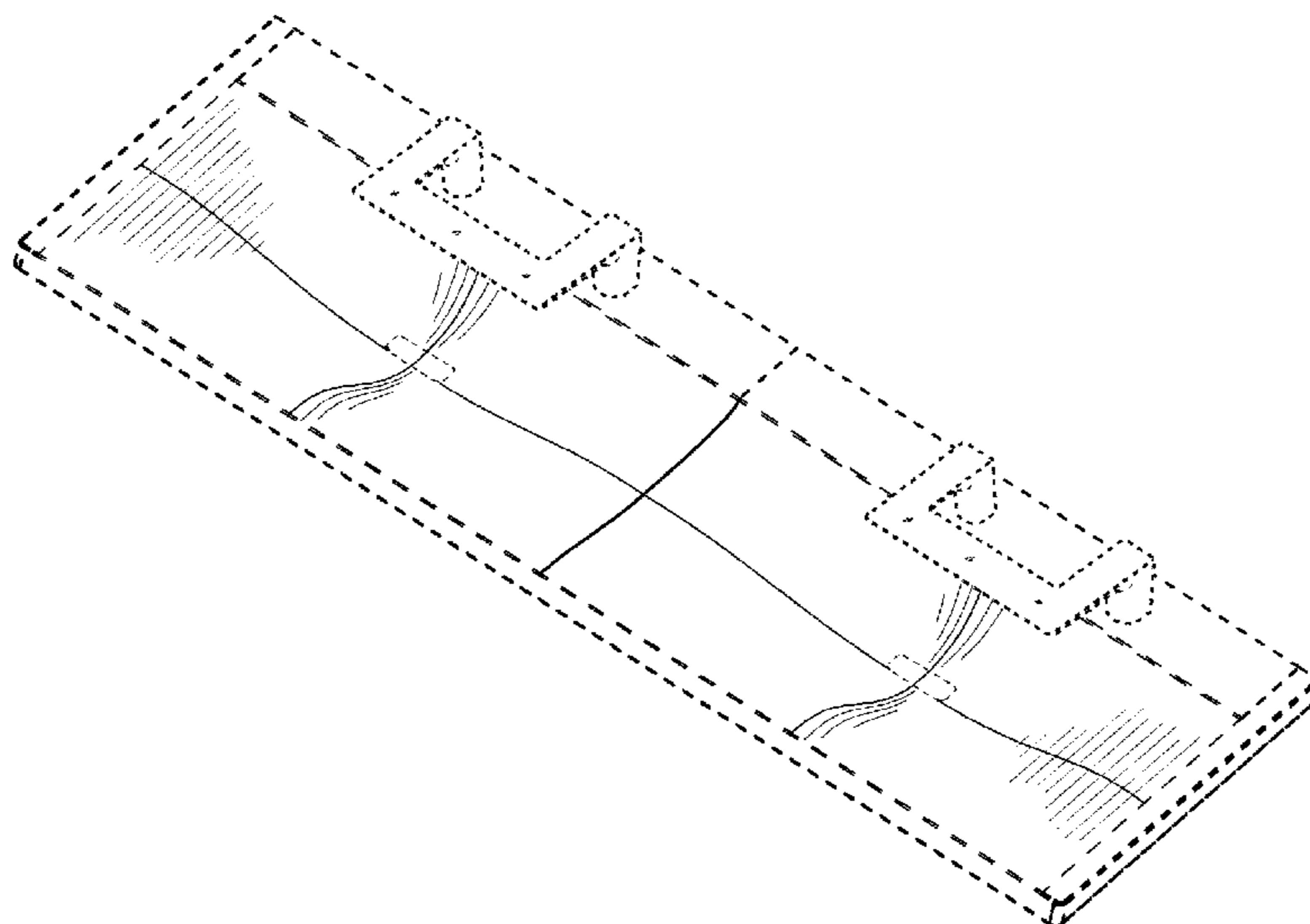
The ornamental design for a basin, substantially, as shown and described.

**DESCRIPTION**

FIG. 1 is a raised perspective view of an embodiment of a basin;  
 FIG. 2 is a rear perspective view of the basin of the embodiment as shown in FIG. 1;  
 FIG. 3 is a front view of the basin of the embodiment as shown in FIG. 1;  
 FIG. 4 is a rear view of the basin of the embodiment as shown in FIG. 1;  
 FIG. 5 is a top view of the basin of the embodiment as shown in FIG. 1; and,  
 FIG. 6 is a side view of the basin of the embodiment as shown in FIG. 1.

The broken lines shown in the drawings form no part of the claimed design. The surface shading illustrated in the drawings is provided merely to highlight the contour of the design and is not part of the claimed design. All surfaces not shown form no part of the claimed design.

**1 Claim, 2 Drawing Sheets**



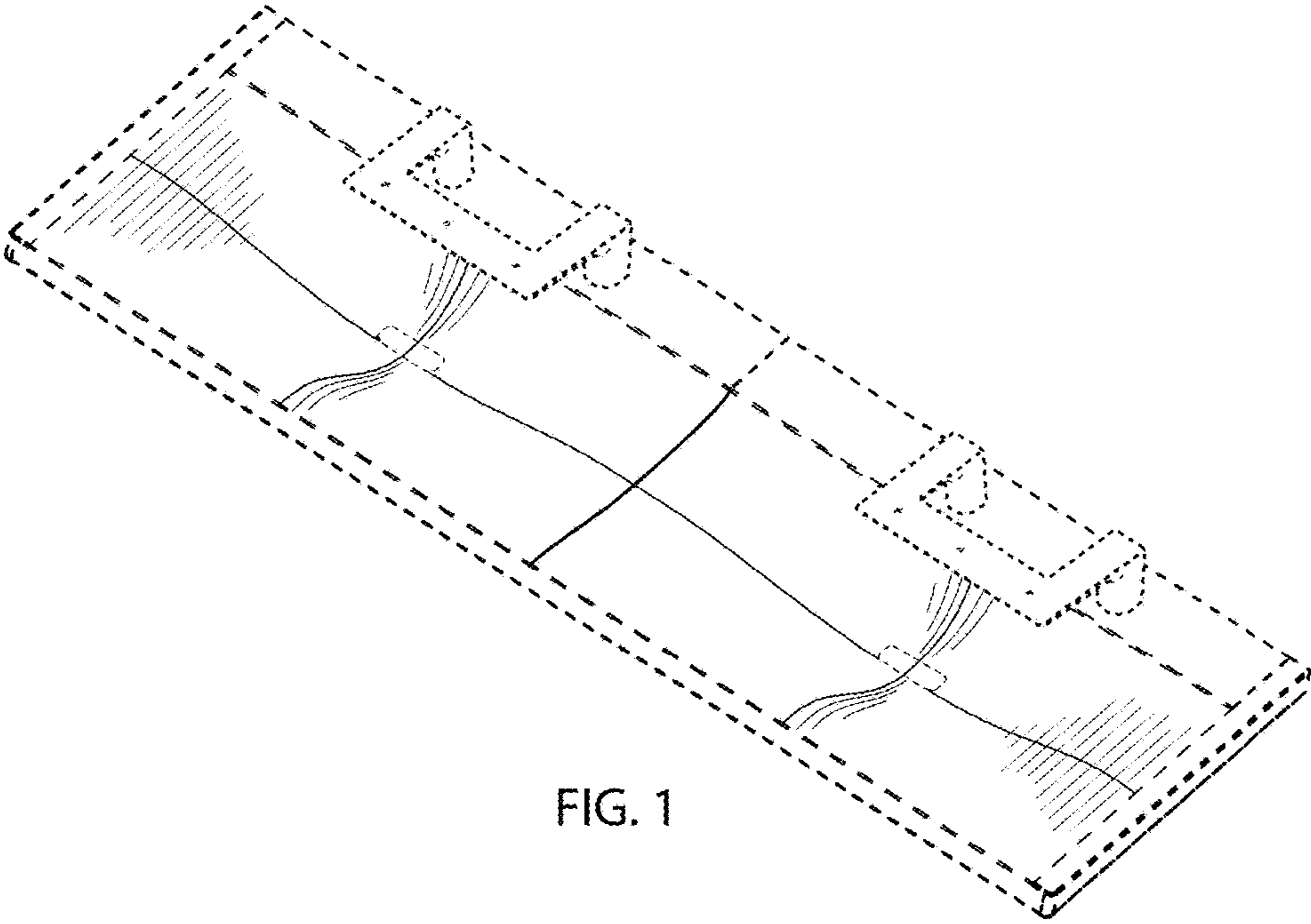


FIG. 1

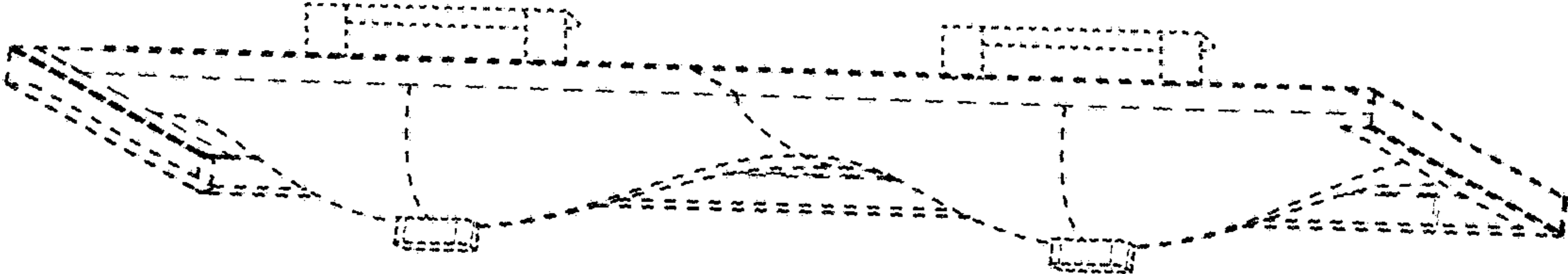


FIG. 2

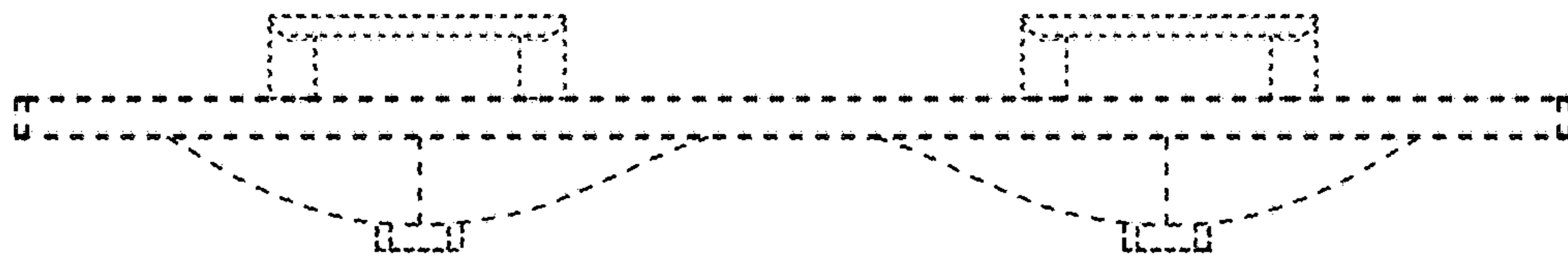


FIG. 3

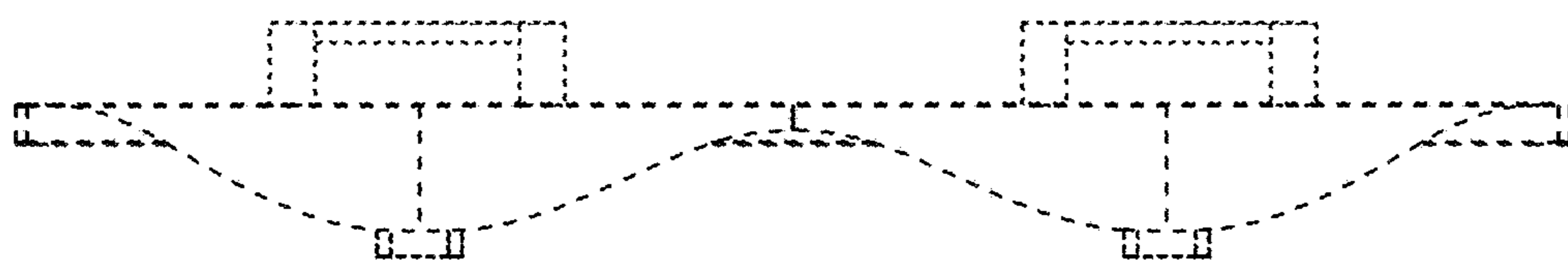


FIG. 4

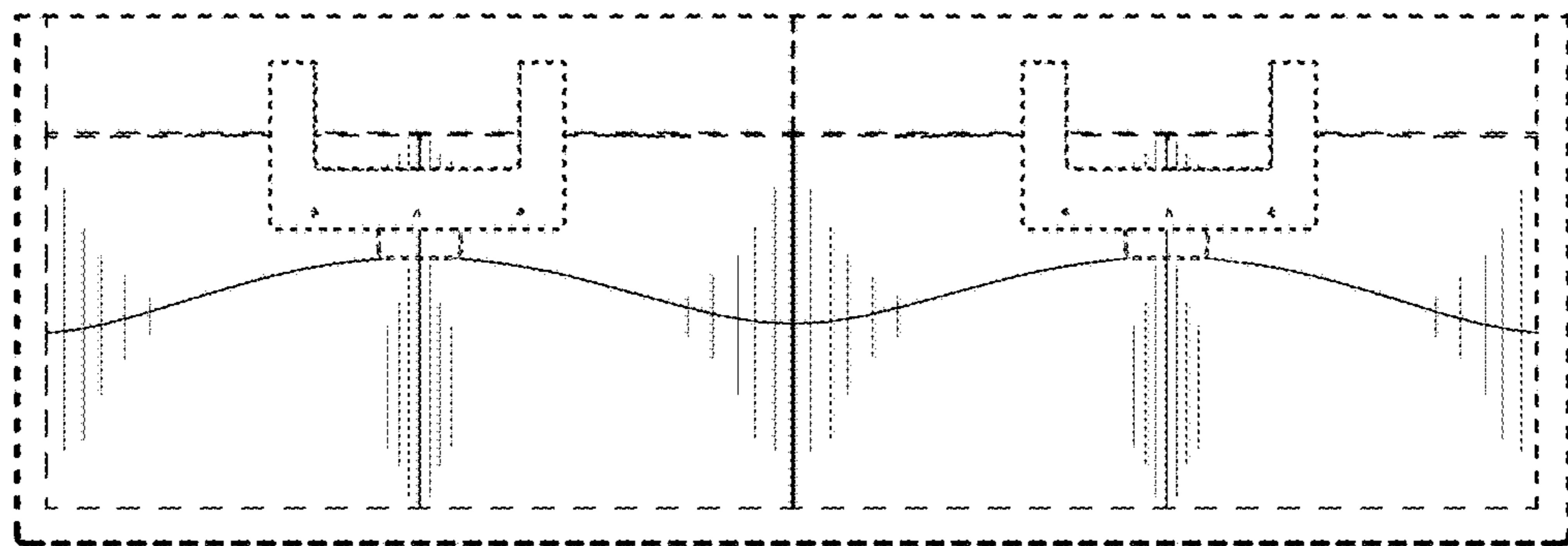


FIG. 5

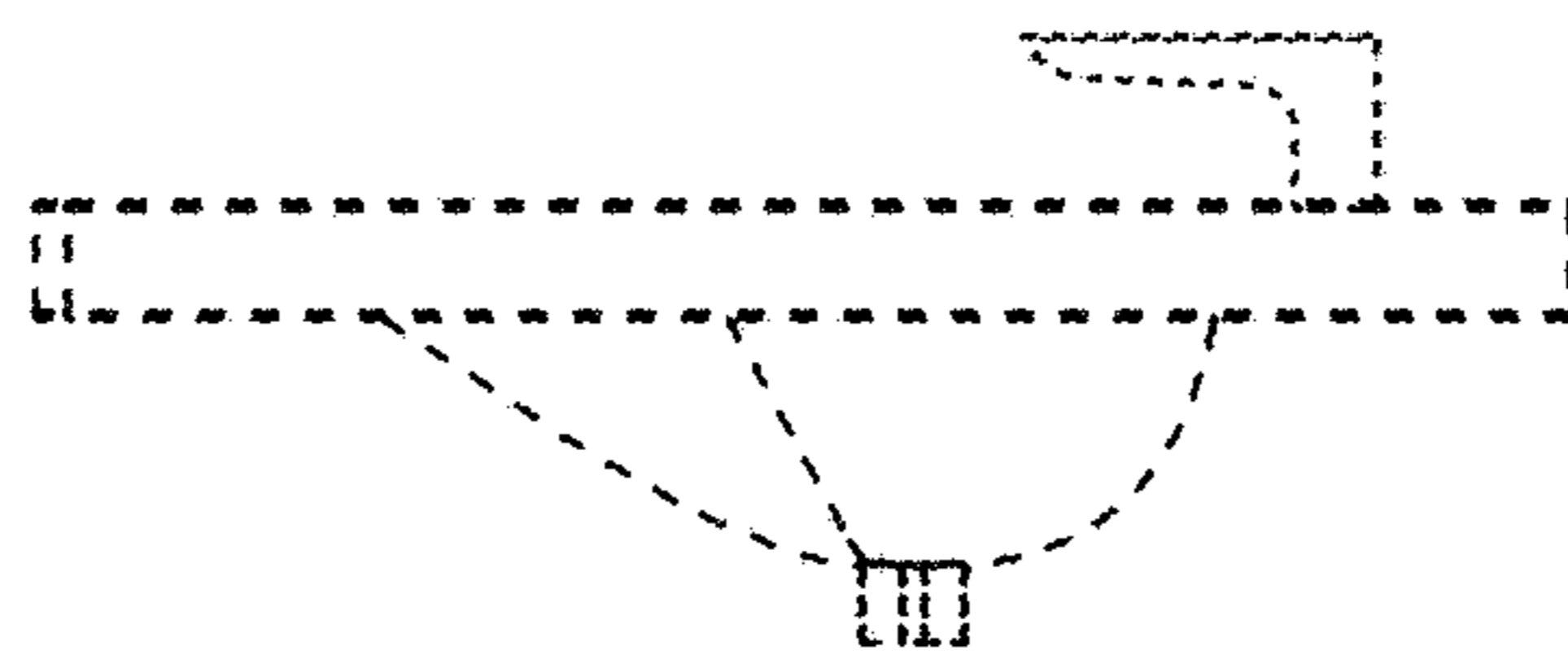


FIG. 6