



US00D865922S

(12) **United States Design Patent**  
**Dufermont**

(10) **Patent No.:** **US D865,922 S**  
(45) **Date of Patent:** **\*\* Nov. 5, 2019**

(54) **SHOWER CUBICLE**

(71) Applicant: **Philippe Dufermont**, Liria (ES)

(72) Inventor: **Philippe Dufermont**, Liria (ES)

(\*\*) Term: **15 Years**

(21) Appl. No.: **35/505,882**

(22) Filed: **Oct. 2, 2018**

(80) **Hague Agreement Data**

Int. Filing Date: **Oct. 2, 2018**

Int. Reg. No.: **DM/103161**

Int. Reg. Date: **Oct. 2, 2018**

Int. Reg. Pub. Date: **Oct. 19, 2018**

(51) **LOC (12) Cl.** ..... **23-02**

(52) **U.S. Cl.**  
USPC ..... **D23/283**

(58) **Field of Classification Search**

USPC ..... D23/275, 283, 303, 304, 305, 315, 316

CPC ..... A61K 2300/00; A61K 8/37; A61K 8/466;

A61K 31/716; A61K 33/06; A61K 33/08;

A61K 33/24; A61K 33/26; A61K 33/30;

A61K 33/34; A61K 8/33; A61K 8/347;

A61K 8/35; A61K 8/361; A61K 8/42;

A61K 8/602; A61K 2800/524; A61K

8/06; A61K 8/19; A61K 8/34; A61K

8/345; A61K 8/375; A61K 8/41; A61K

8/442; A61K 8/463; A61K 8/4926; A61K

8/494; A61K 8/4946; A61K 8/498; A61K

8/731; A61K 8/891; A61K 8/97; A61K

2800/10; A61K 2800/21; A61K 2800/28;

A61K 2800/30; A61K 2800/412; A61K

2800/592; A61K 2800/5922; A61K

2800/594; A61K 2800/60; A61K 2800/87;

A61K 2800/88; A61K 2800/884; A61K

31/05; A61K 31/085; A61K 31/09; A61K

31/7028; A61K 33/10; A61K 36/28;

A61K 36/8984; A61K 36/9068; A61K

45/06; A61K 47/14; A61K 47/26; A61K

49/223; A61K 8/02; A61K 8/0204; A61K  
8/0208; A61K 8/046; A61K 8/062; A61K  
8/064; A61K 8/11; A61K 8/23; A61K  
8/24; A61K 8/25; A61K 8/29; A61K  
8/31; A61K 8/342; A61K 8/36; A61K  
8/365; A61K 8/368; A61K 8/40; A61K  
8/411; A61K 8/43; A61K 8/44;  
(Continued)

(56) **References Cited**

U.S. PATENT DOCUMENTS

D374,918 S \* 10/1996 Casden ..... D23/283

D498,829 S \* 11/2004 Helmetsie ..... D23/283

(Continued)

*Primary Examiner* — Khawaja Anwar

(57) **CLAIM**

The ornamental design for a shower cubicle, as shown and described.

**DESCRIPTION**

1. Shower cubicle

1.1 : Perspective rear view of cubicle

1.2 : Perspective front view of cubicle

1.3 : Front view of cubicle at 90° cylinder rotation

1.4 : Front view of cubicle at 180° cylinder rotation

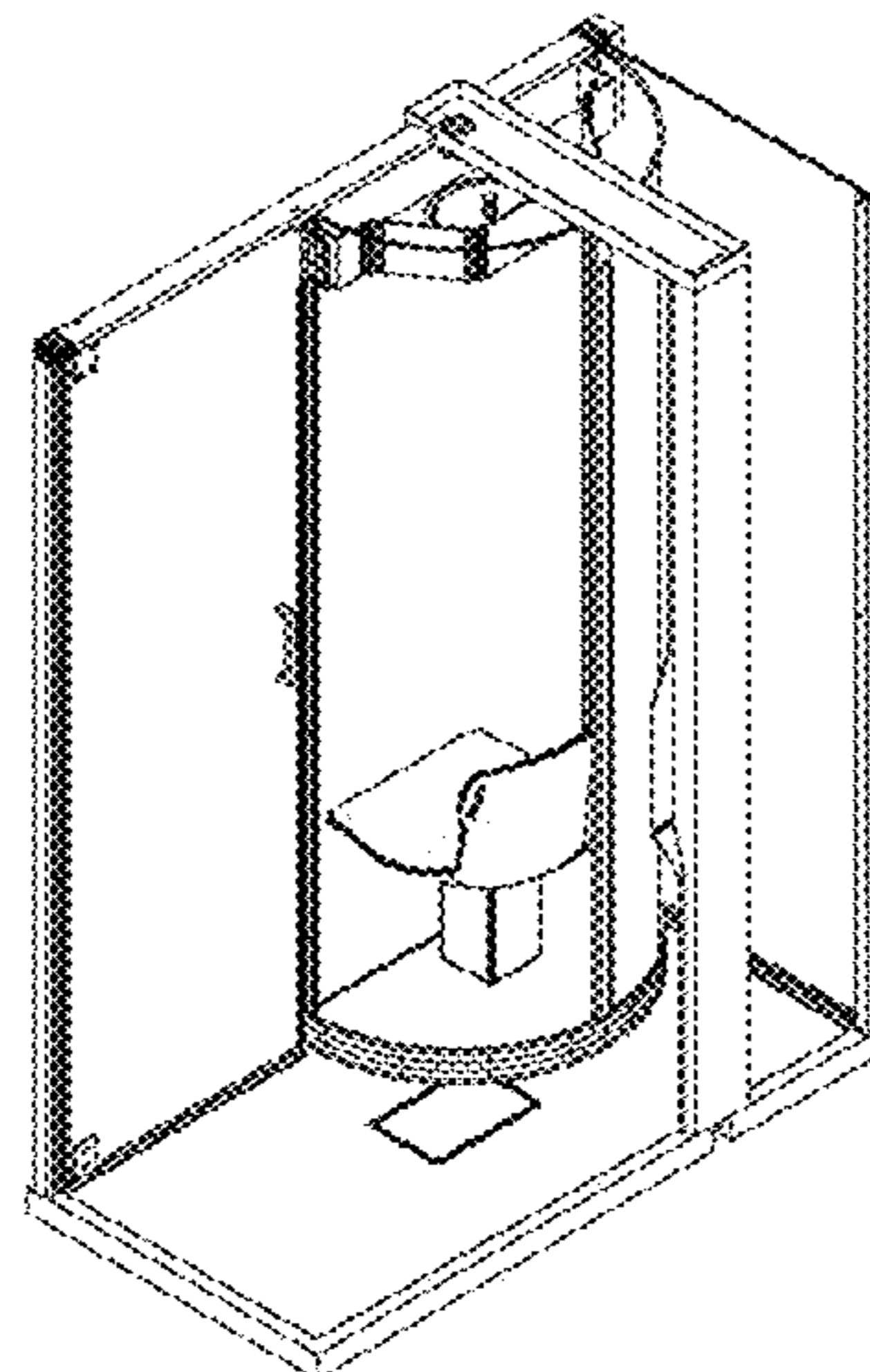
1.5 : Upper level of cubicle

1.6 : Upper level of cubicle at 180° cylinder rotation

1.7 : Exploded view of seat on shower tray

Shower cubicle equipped with a rotating hollow cylinder closed at its base and with a frontal opening for access to an interior seat adjustable in height; the cylinder rotates 180° as it is connected to a radial arm of a rotating upper axis geared to an engine and mounted on the horizontal section of an inverted “L” vertical support, the vertical section of which is attached to the rear wall of the cubicle, while the lower axis of rotation of the cylinder is coupled to the tubing of a fixed plate housed in the base of the shower tray.

**1 Claim, 7 Drawing Sheets**



(58) **Field of Classification Search**

CPC ..... A61K 8/445; A61K 8/46; A61K 8/4933;  
A61K 8/4953; A61K 8/496; A61K  
8/4966; A61K 8/4973; A61K 8/55; A61K  
8/585; A61K 8/60; A61K 8/8105; A61K  
8/8147; A61K 8/84; A61K 8/86; A61K  
8/894; A61K 8/92; A61K 8/9783; A61K  
8/9789; A61K 8/9794; A61K 9/0014;  
A61K 9/0053; A61K 9/06; A61K 9/12

See application file for complete search history.

(56) **References Cited**

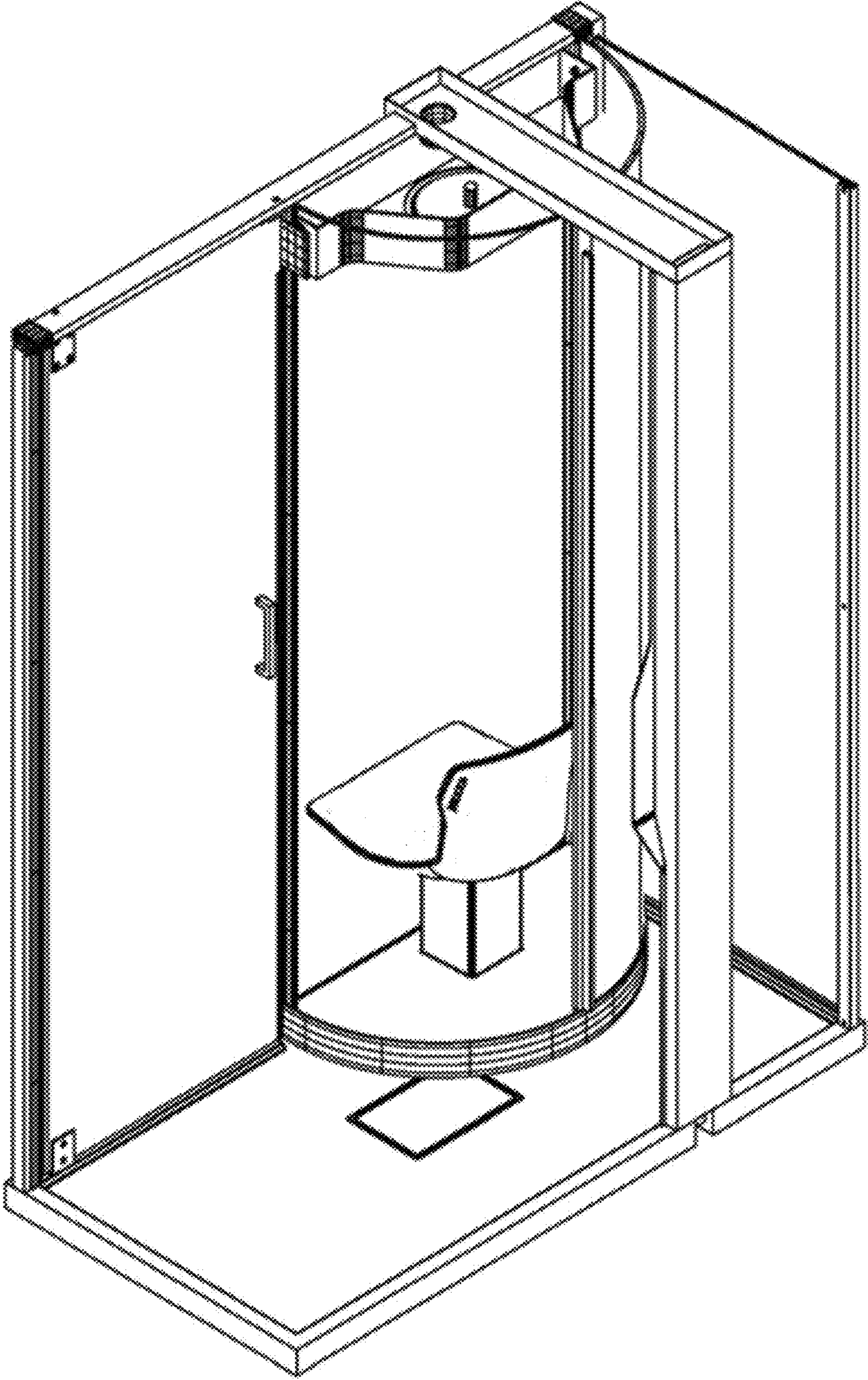
U.S. PATENT DOCUMENTS

D532,089 S *	11/2006	Hisey .....	D23/283
D621,010 S *	8/2010	Hoernig .....	D23/283
D665,891 S *	8/2012	Reedy .....	D23/283
D666,703 S *	9/2012	Reedy .....	D23/283
D682,997 S *	5/2013	Lapping .....	D23/283
D752,724 S *	3/2016	Coats .....	D23/283
D822,182 S *	7/2018	Acers .....	D23/283

\* cited by examiner

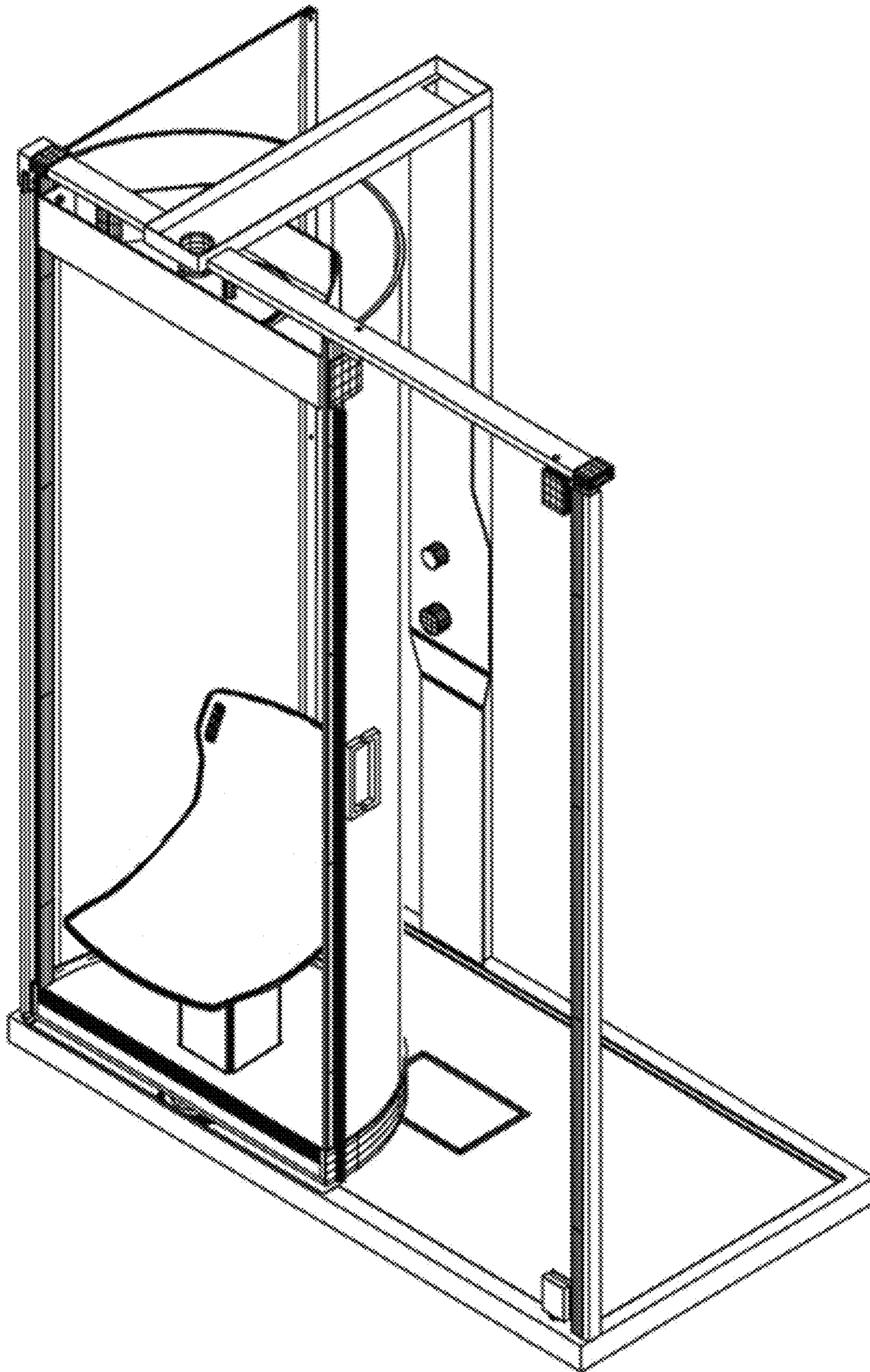


1.1

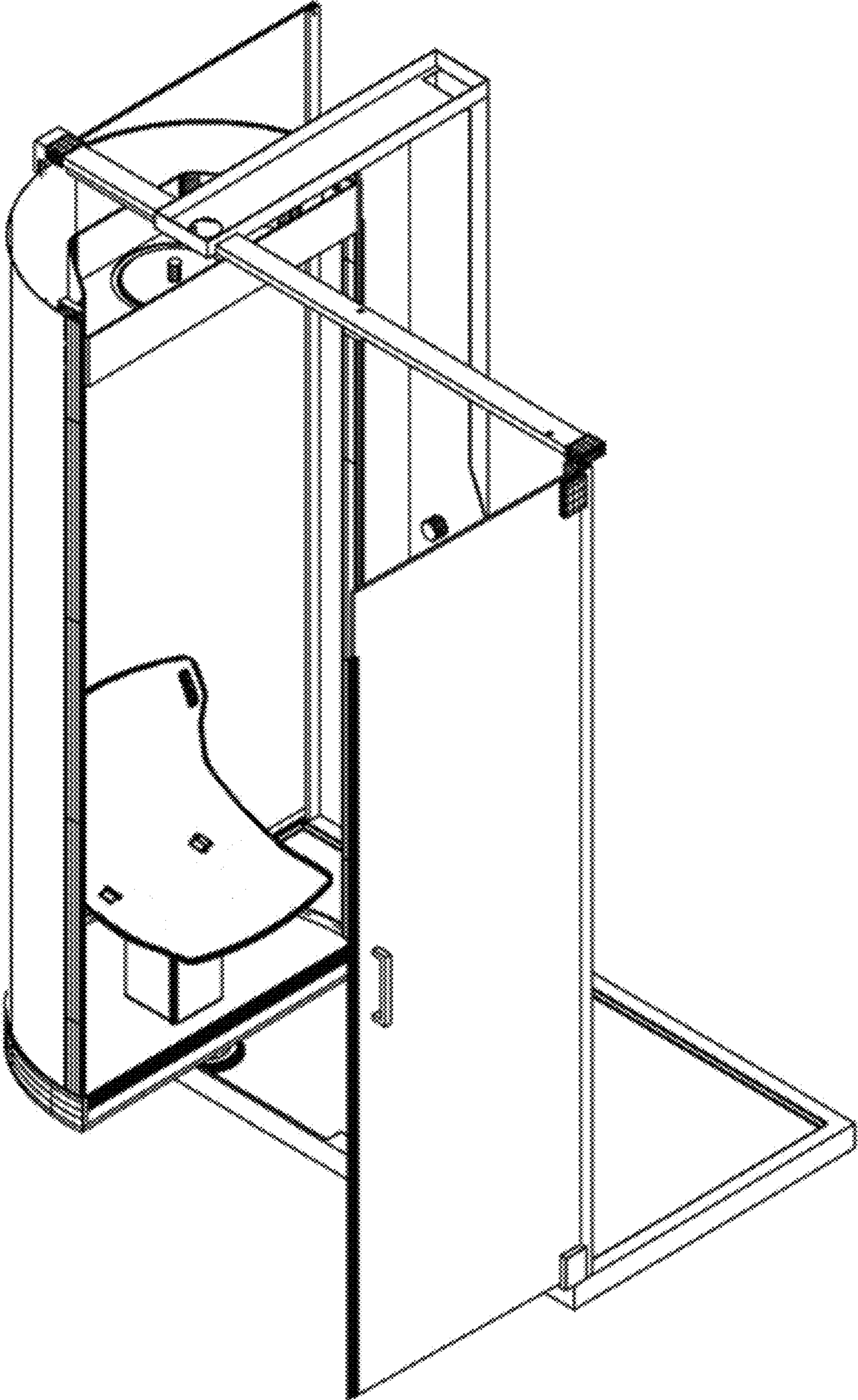




1.2

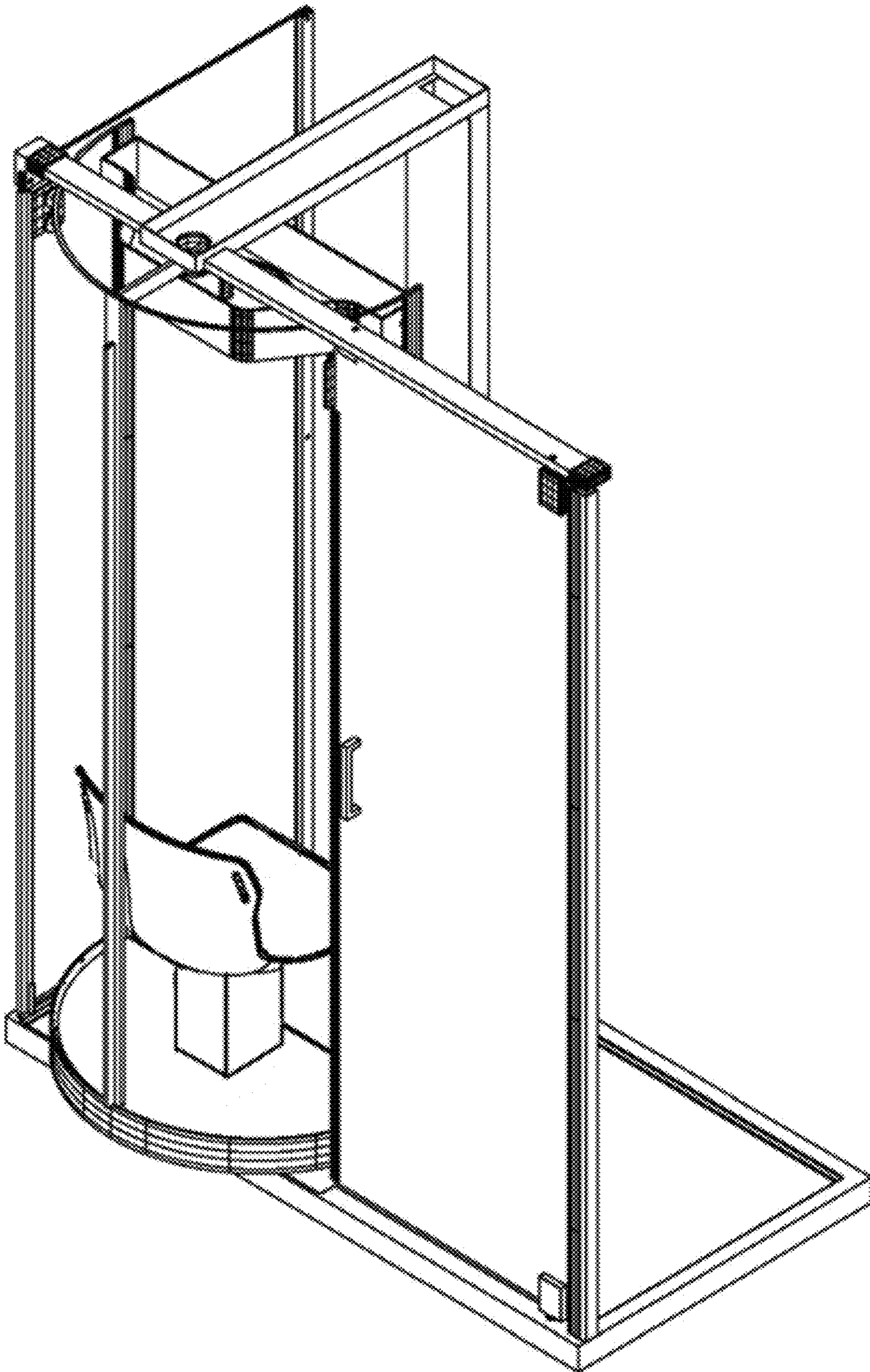


1.3

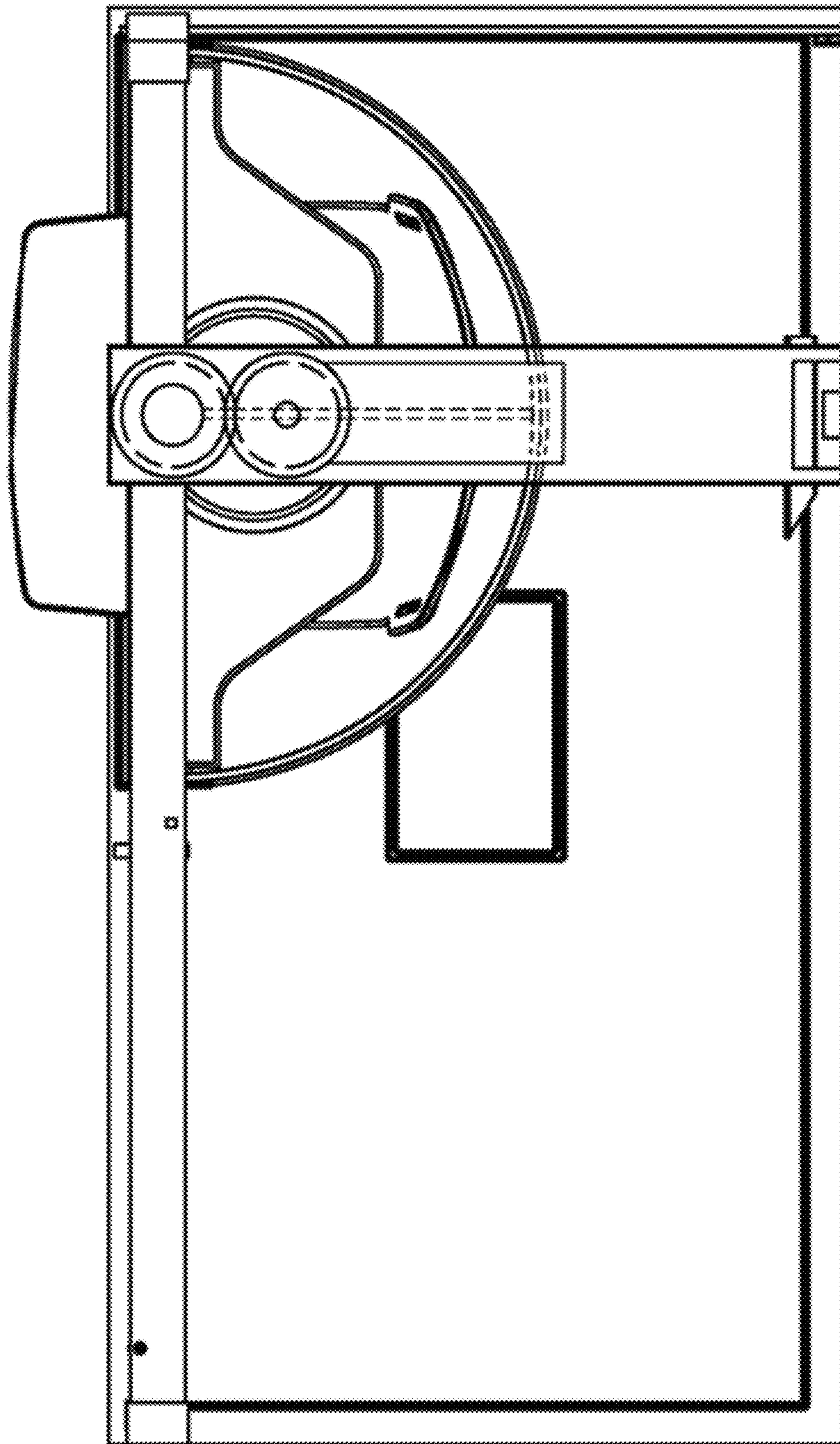




1.4

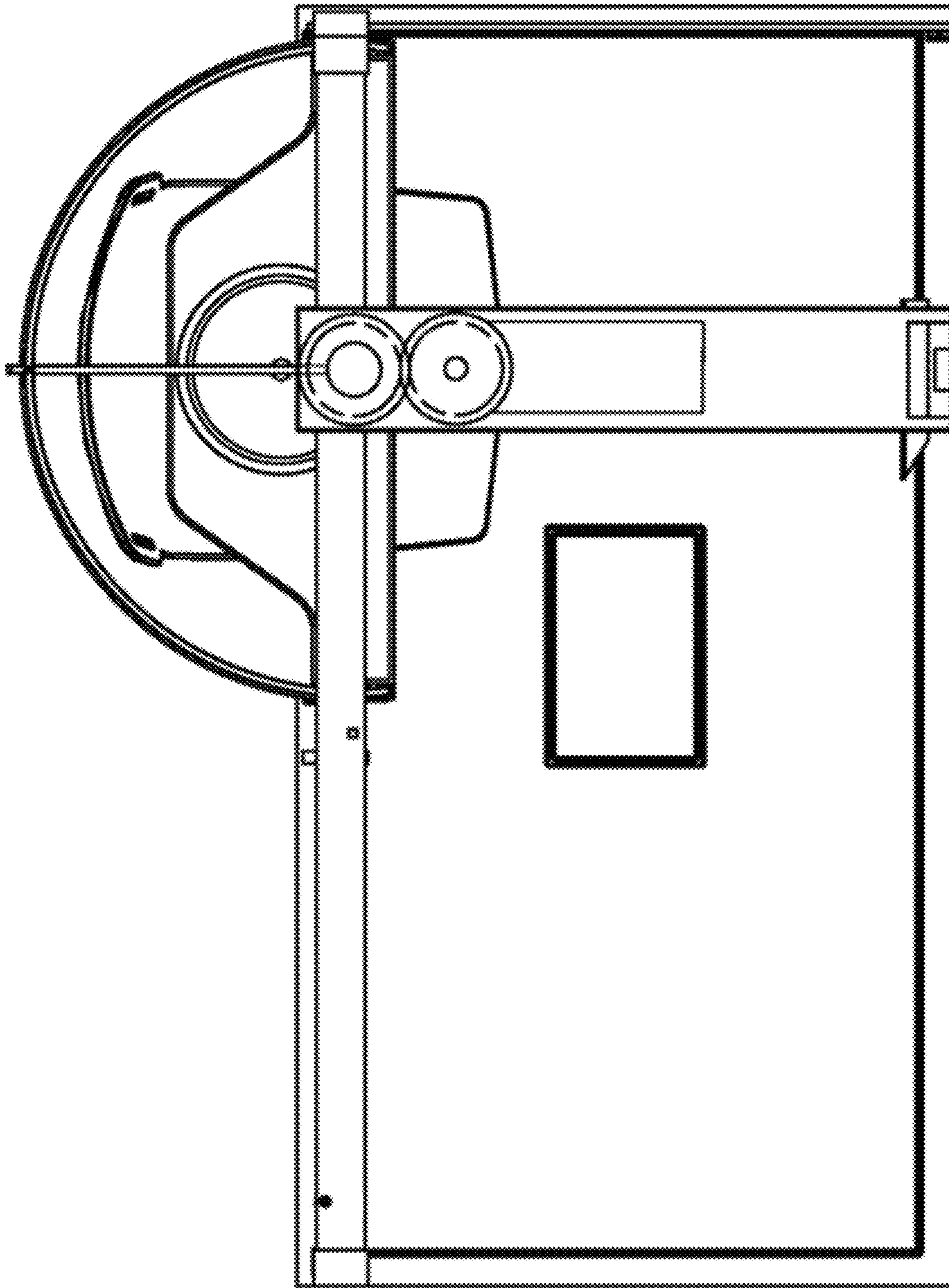


1.5





1.6





1.7

