



US00D865919S

(12) **United States Design Patent**
Lippka

(10) **Patent No.:** **US D865,919 S**

(45) **Date of Patent:** **** Nov. 5, 2019**

(54) **PIPE COUPLING**

(71) Applicant: **Tyco Fire Products LP**, Lansdale, PA (US)

(72) Inventor: **Sandra M. Lippka**, Warwick, RI (US)

(73) Assignee: **Tyco Fire Products LP**, Lansdale, PA (US)

(**) Term: **15 Years**

(21) Appl. No.: **29/632,434**

(22) Filed: **Jan. 8, 2018**

(51) **LOC (12) Cl.** **23-01**

(52) **U.S. Cl.**
USPC **D23/262**

(58) **Field of Classification Search**
USPC 285/112, 179, 340, 367, 373, 404, 285/410-412, 414-415, 420; 404/44, 46, 404/57, 290, 296, 309, 343-344; D23/259-260, 262-266
CPC . F16L 21/02; F16L 21/04; F16L 21/06; F16L 21/08; F16L 21/002; F16L 21/005; F16L 21/022; F16L 3/1041; F16L 3/1075
See application file for complete search history.

(56) **References Cited**

U.S. PATENT DOCUMENTS

D142,057 S	8/1945	Baxter
D189,229 S	11/1960	Bowne
D488,852 S	4/2004	Pampinella
D577,423 S	9/2008	Dole
D597,635 S	8/2009	Dole
D598,076 S	8/2009	Dole
D600,325 S	9/2009	Porter et al.
D600,784 S	9/2009	Henry et al.
D602,127 S	10/2009	Shah et al.
D605,734 S	12/2009	Henry et al.

D605,735 S	12/2009	Shah et al.
D605,736 S	12/2009	Porter et al.
D616,532 S	5/2010	Madara et al.

(Continued)

Primary Examiner — Eric L Goodman

Assistant Examiner — Amy C Wierenga

(74) *Attorney, Agent, or Firm* — Foley & Lardner LLP

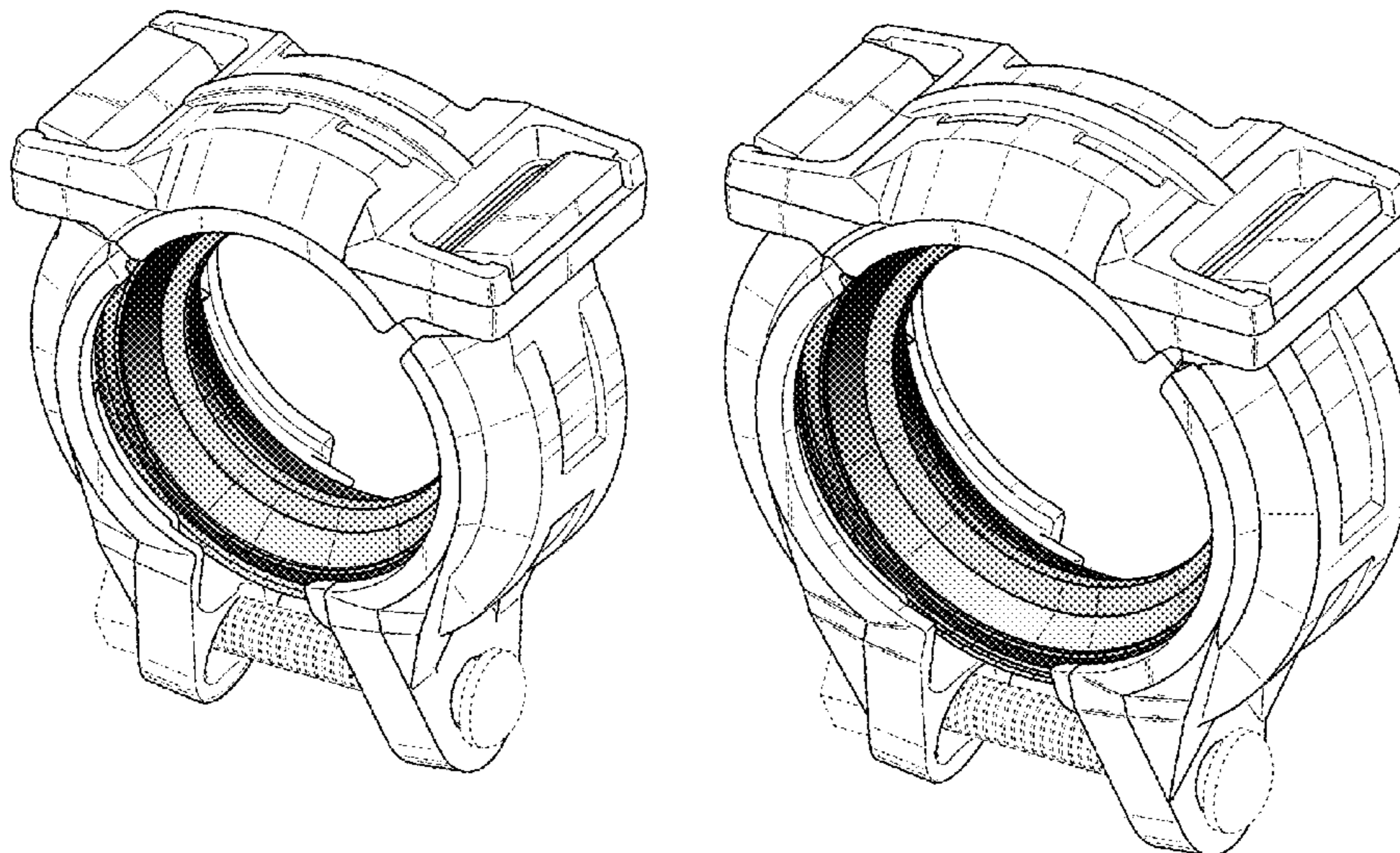
(57) **CLAIM**

The ornamental design for a pipe coupling, as shown and described.

DESCRIPTION

FIG. 1 is a perspective view showing a pipe coupling in accordance with a first embodiment of my new design; FIG. 2 is a front elevational view of the first embodiment; FIG. 3 is a rear elevational view of the first embodiment; FIG. 4 is a right side elevational view of the first embodiment; FIG. 5 is a left side elevational view of the first embodiment; FIG. 6 is a top plan view of the first embodiment; FIG. 7 is a bottom plan view of the first embodiment; FIG. 8 is a perspective view showing a pipe coupling in accordance with a second embodiment of my new design; FIG. 9 is a front elevational view of the second embodiment; FIG. 10 is a rear elevational view of the second embodiment; FIG. 11 is a right side elevational view of the second embodiment; FIG. 12 is a left side elevational view of the second embodiment; FIG. 13 is a top plan view of the second embodiment; and, FIG. 14 is a bottom plan view of the second embodiment. The solid gray surface shading represents a contrast in appearance. The broken lines shown in the drawings depict portions of the pipe coupling that form no part of the claim.

1 Claim, 10 Drawing Sheets



(56)

References Cited

U.S. PATENT DOCUMENTS

D616,533 S 5/2010 Bowman et al.
 D618,312 S 6/2010 Madara et al.
 D618,314 S 6/2010 Bowman et al.
 D625,785 S * 10/2010 Madara D23/262
 D625,786 S * 10/2010 Bowman D23/262
 D629,074 S 12/2010 Shah et al.
 D629,076 S * 12/2010 Madara D23/262
 D629,080 S 12/2010 Dole et al.
 D629,082 S 12/2010 Dole et al.
 D650,889 S 12/2011 Van Walraven
 D680,630 S 4/2013 Beagen, Jr.
 D813,025 S 3/2018 Yesavage et al.
 D823,443 S * 7/2018 Bancroft D23/262
 2012/0139236 A1 * 6/2012 Novitsky B21D 41/00
 285/399
 2014/0327238 A1 * 11/2014 Bowman F16L 17/04
 285/112
 2015/0176728 A1 * 6/2015 Bowman F16L 21/065
 285/309
 2016/0186902 A1 6/2016 Lee
 2017/0328500 A1 * 11/2017 Bowman F16L 23/036
 2017/0328505 A1 * 11/2017 Sith F16L 17/04
 2018/0156362 A1 * 6/2018 Takeda F16L 3/1075
 2018/0163905 A1 * 6/2018 Ohnemus F16L 17/04
 2018/0209567 A1 * 7/2018 Brandt F16L 17/04
 2018/0347732 A1 * 12/2018 Kang F16L 17/04

* cited by examiner

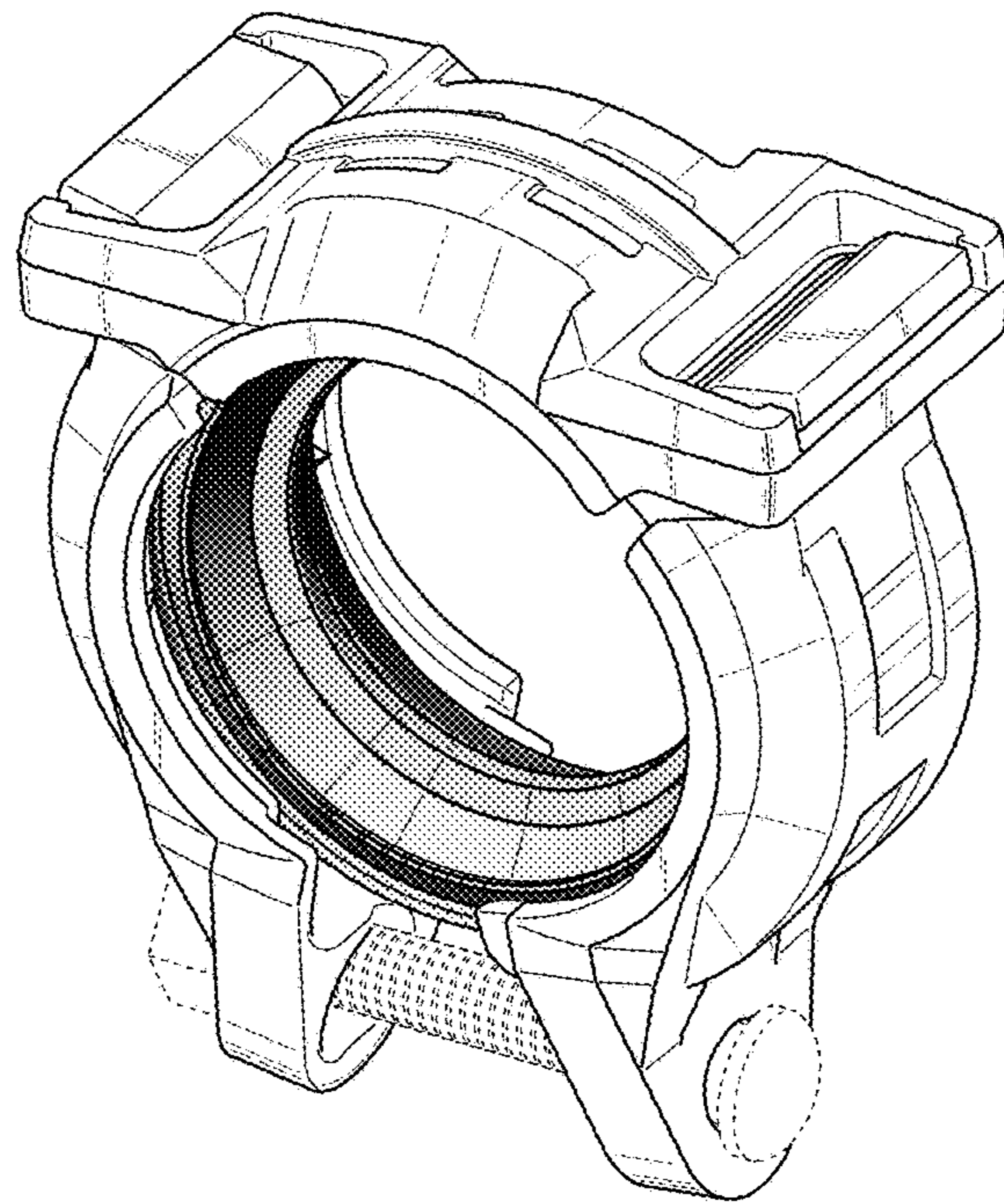


Fig. 1

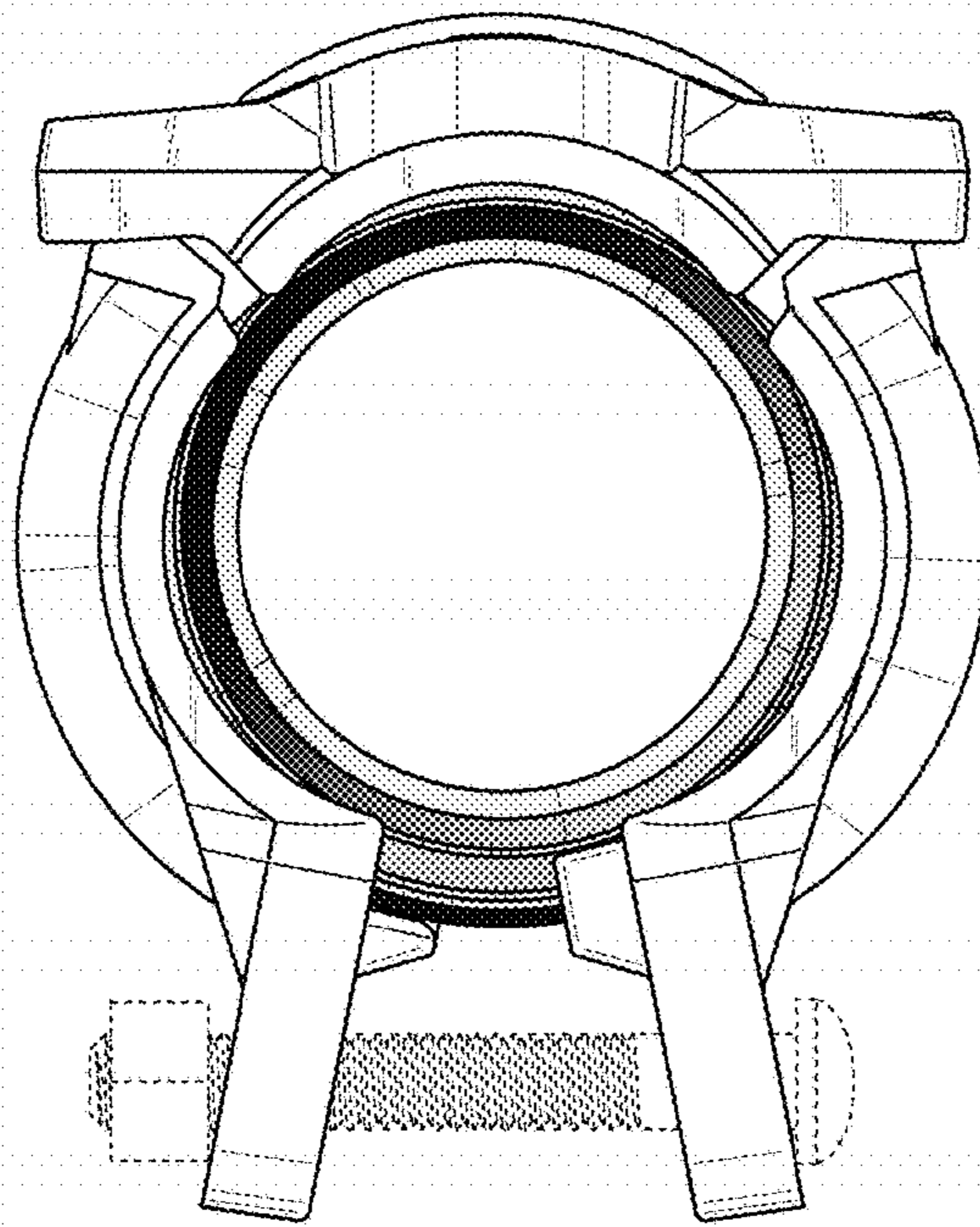


Fig. 2

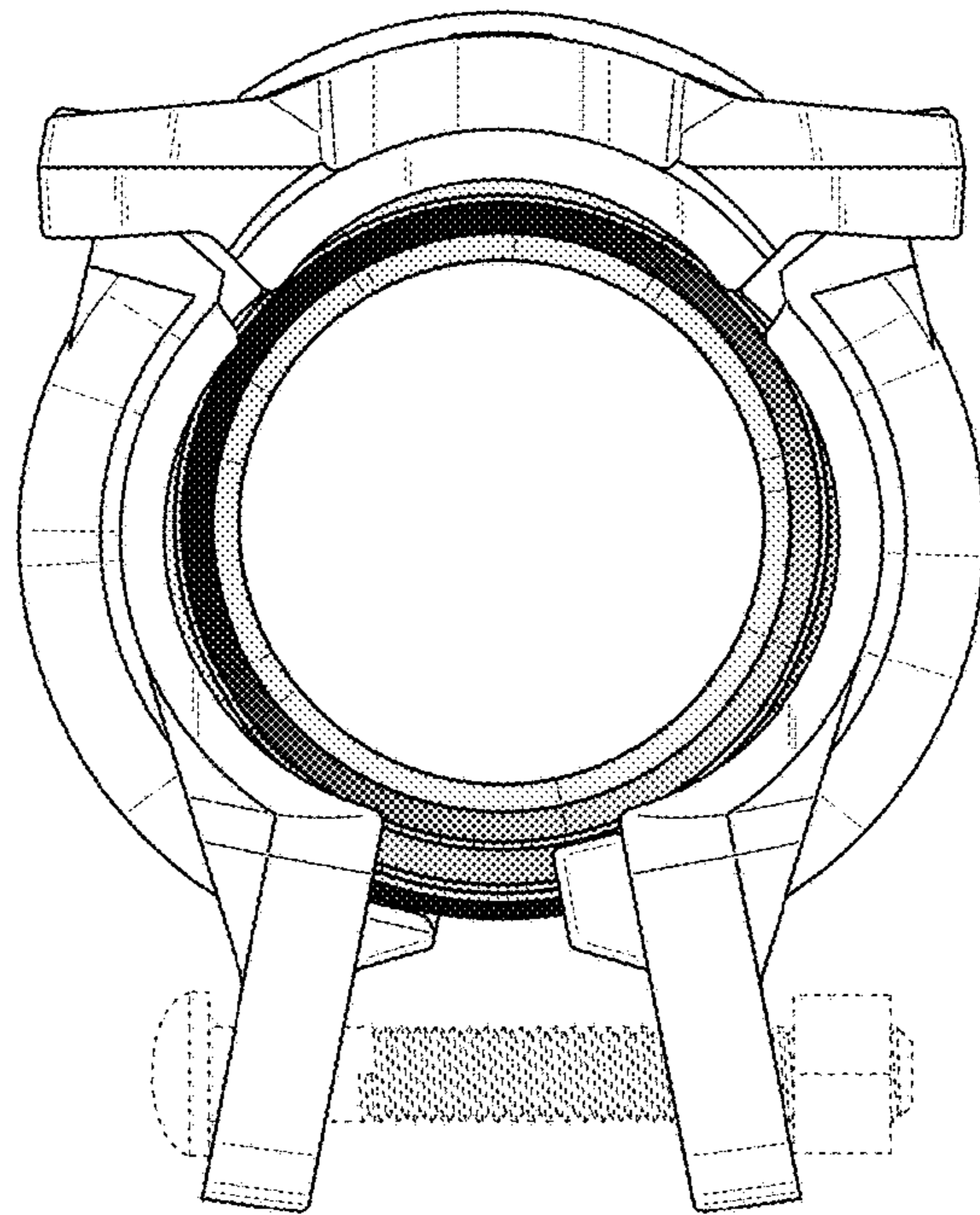


Fig. 3

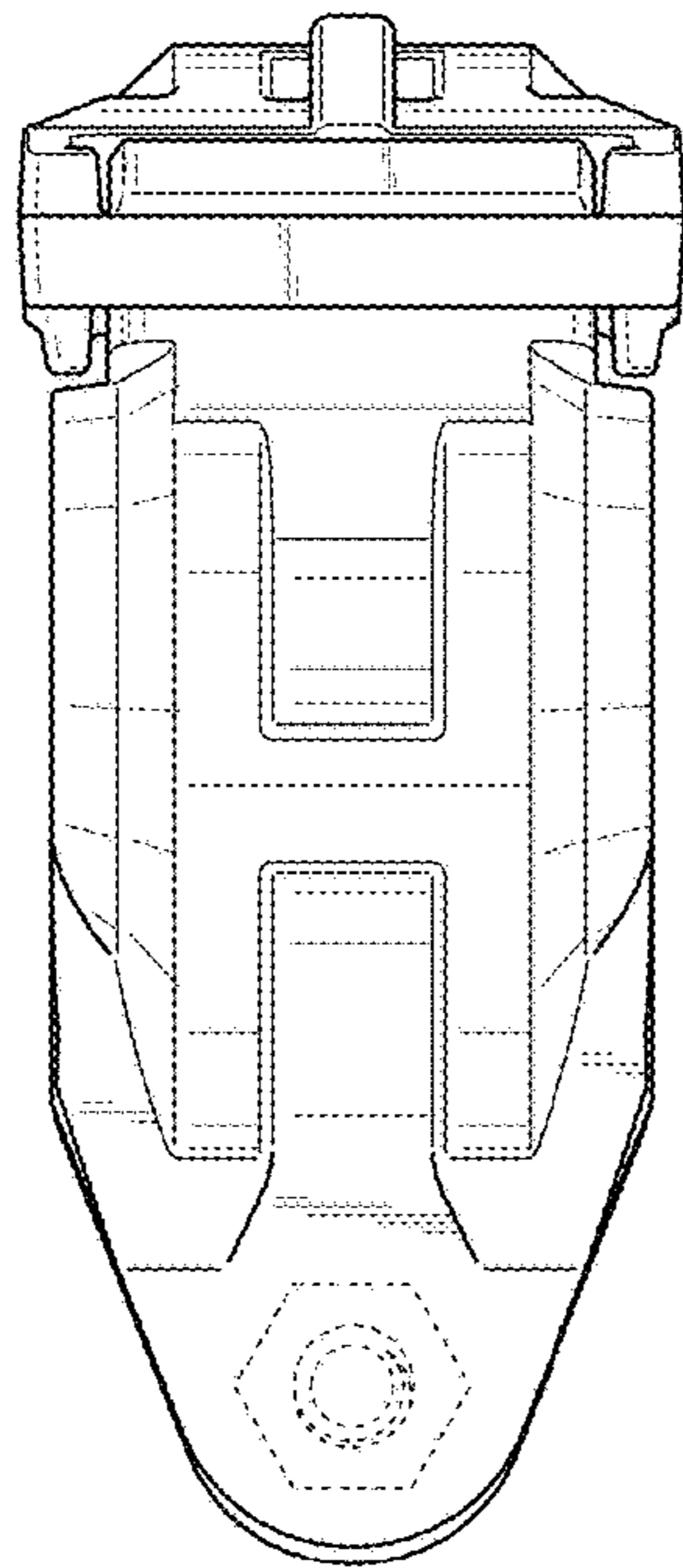


Fig. 4

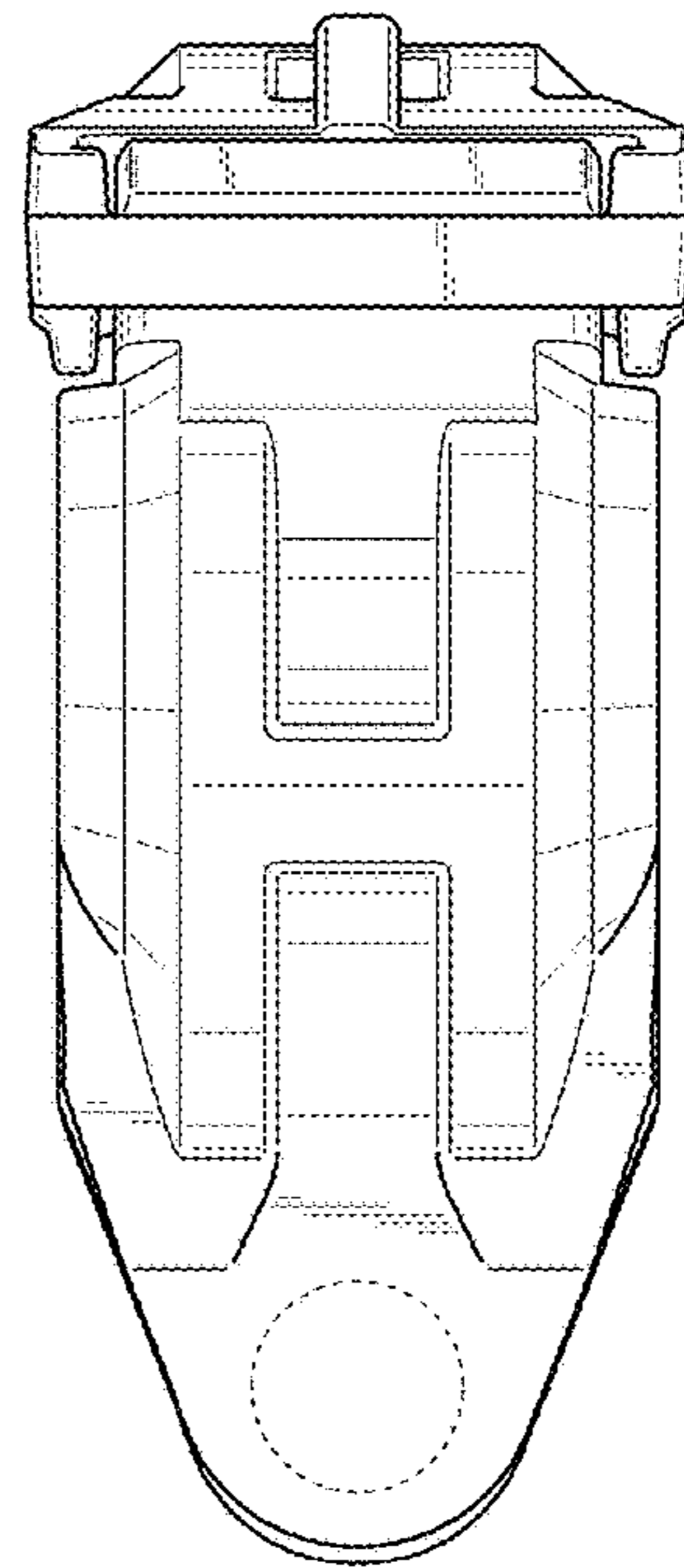


Fig. 5

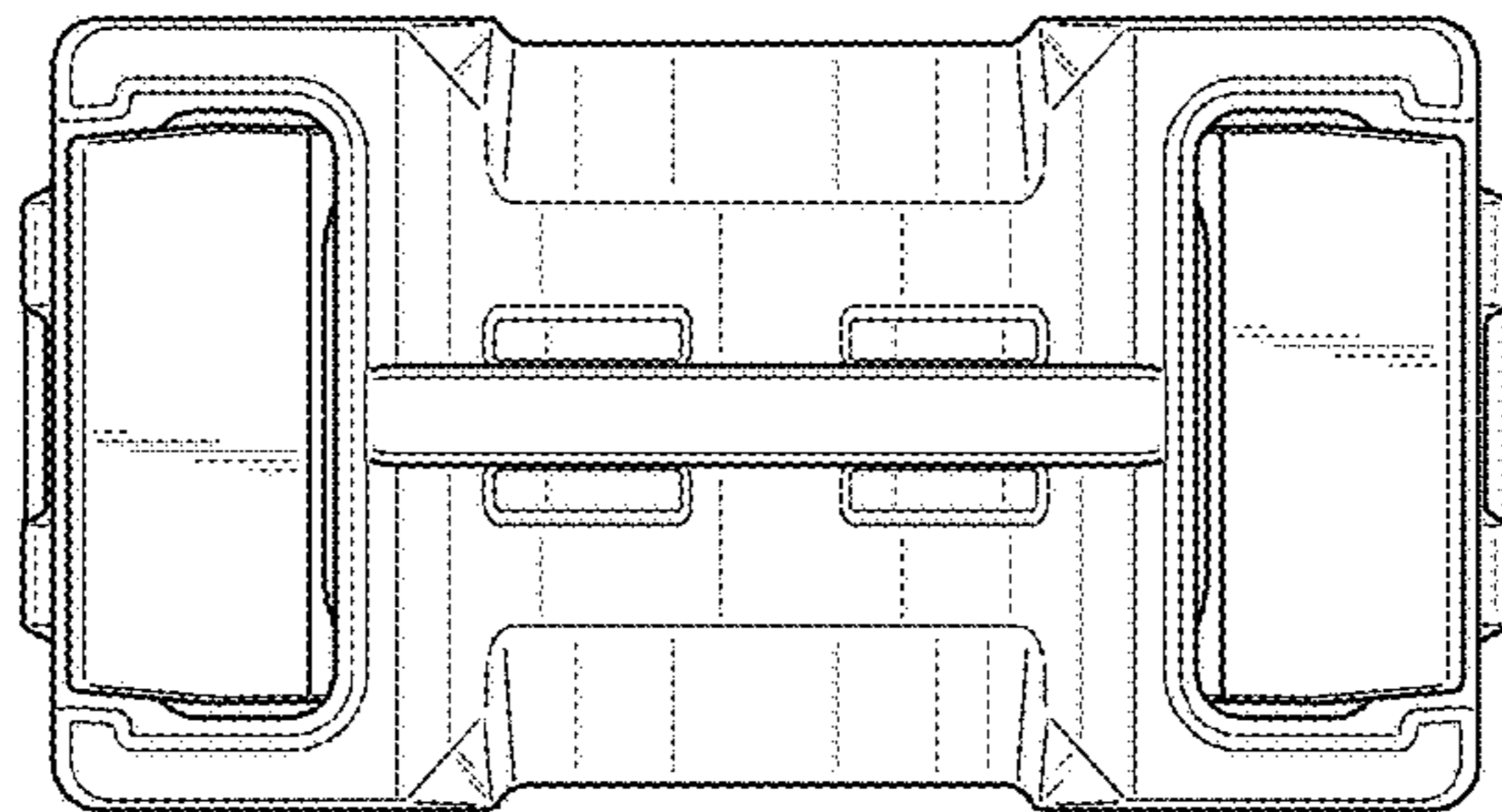


Fig. 6

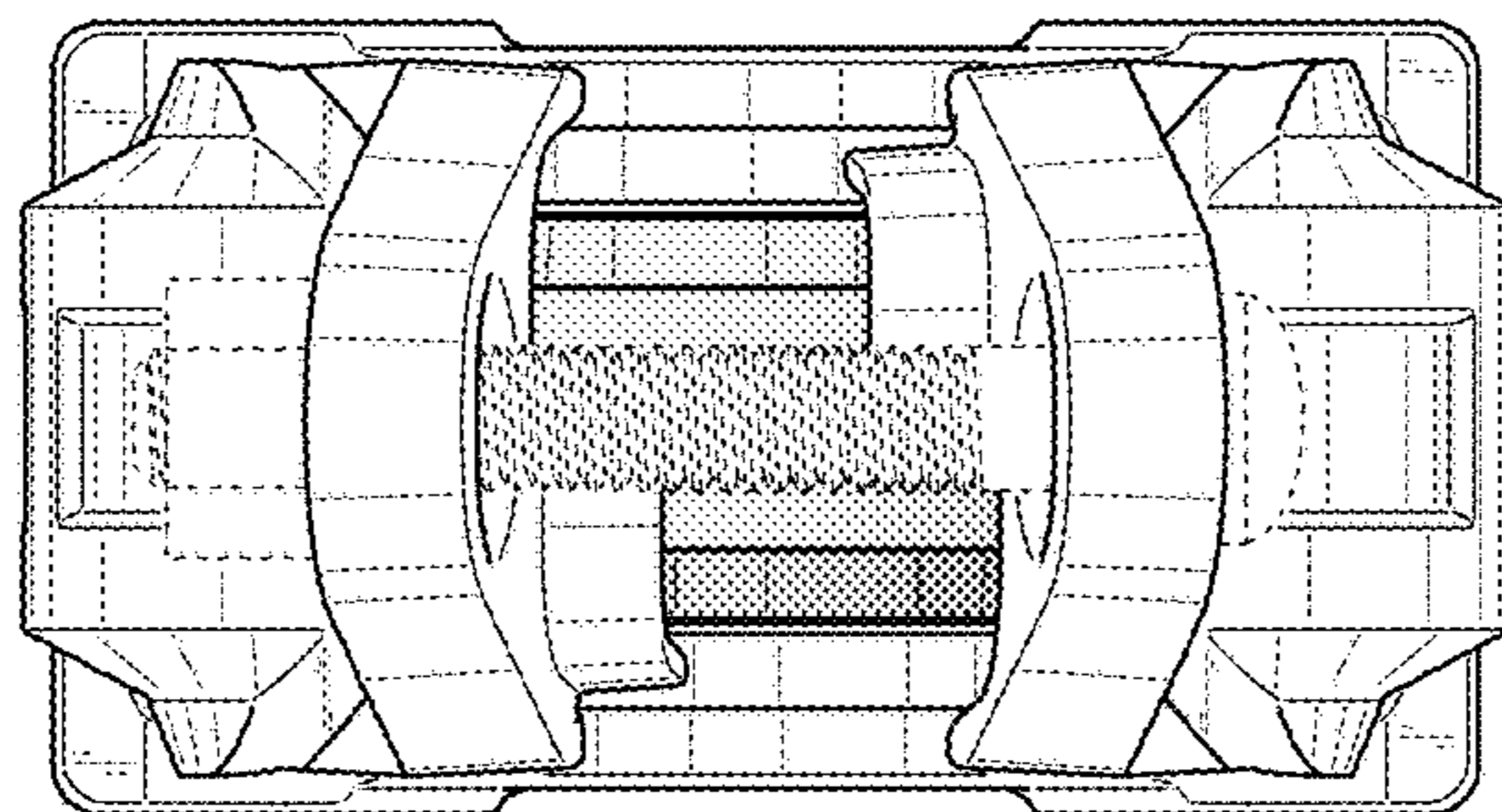


Fig. 7

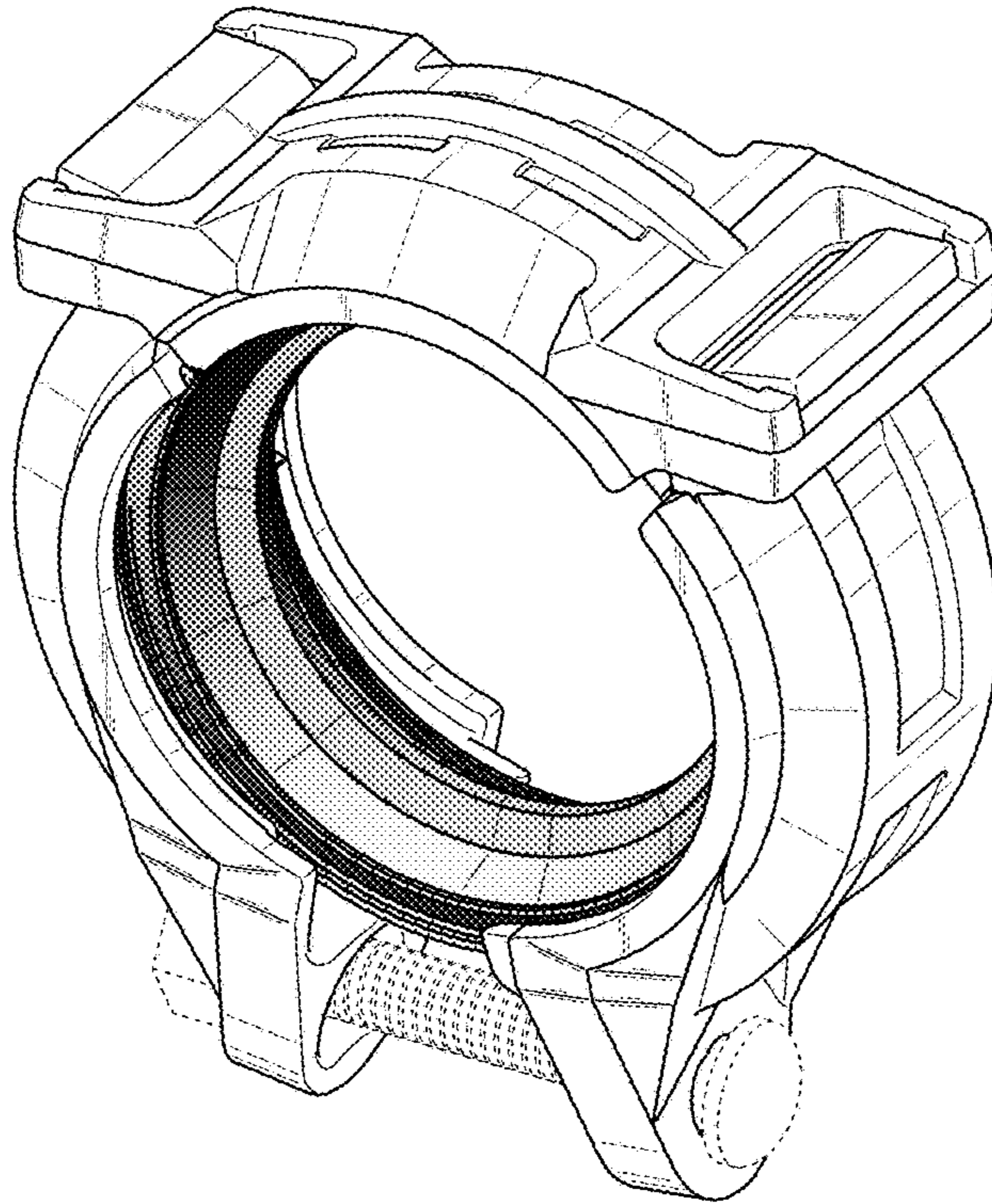


Fig. 8

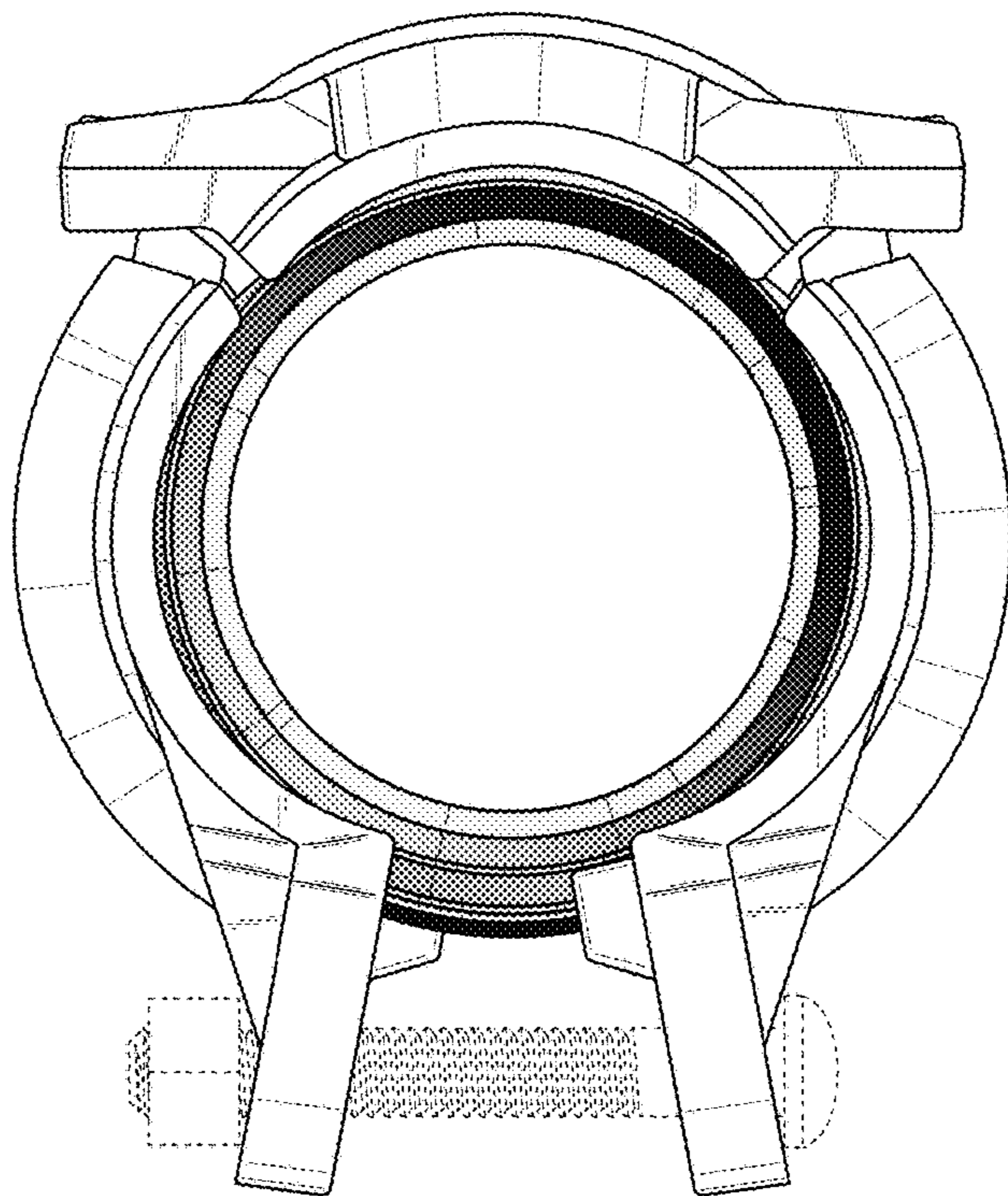


Fig. 9

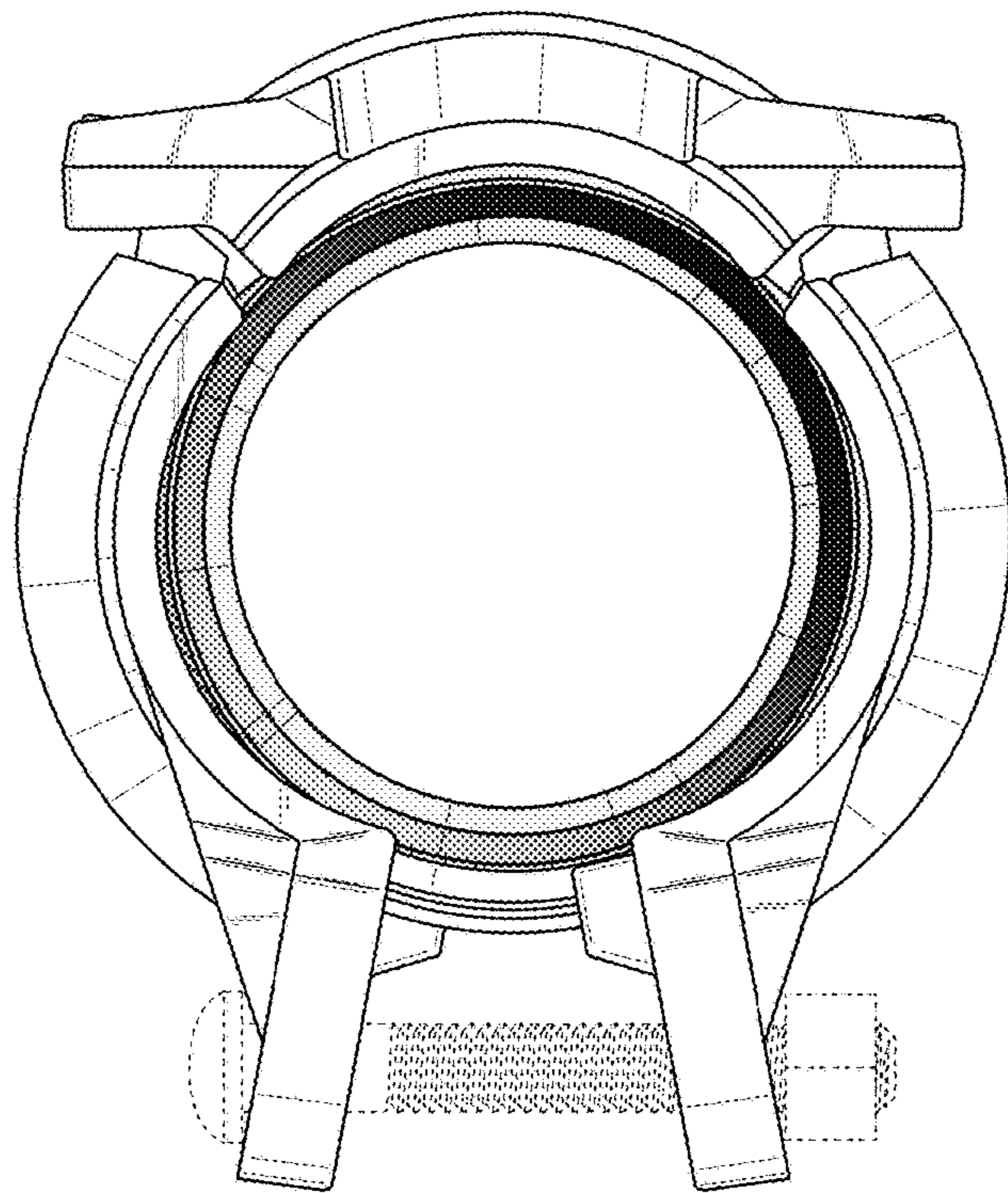


Fig. 10

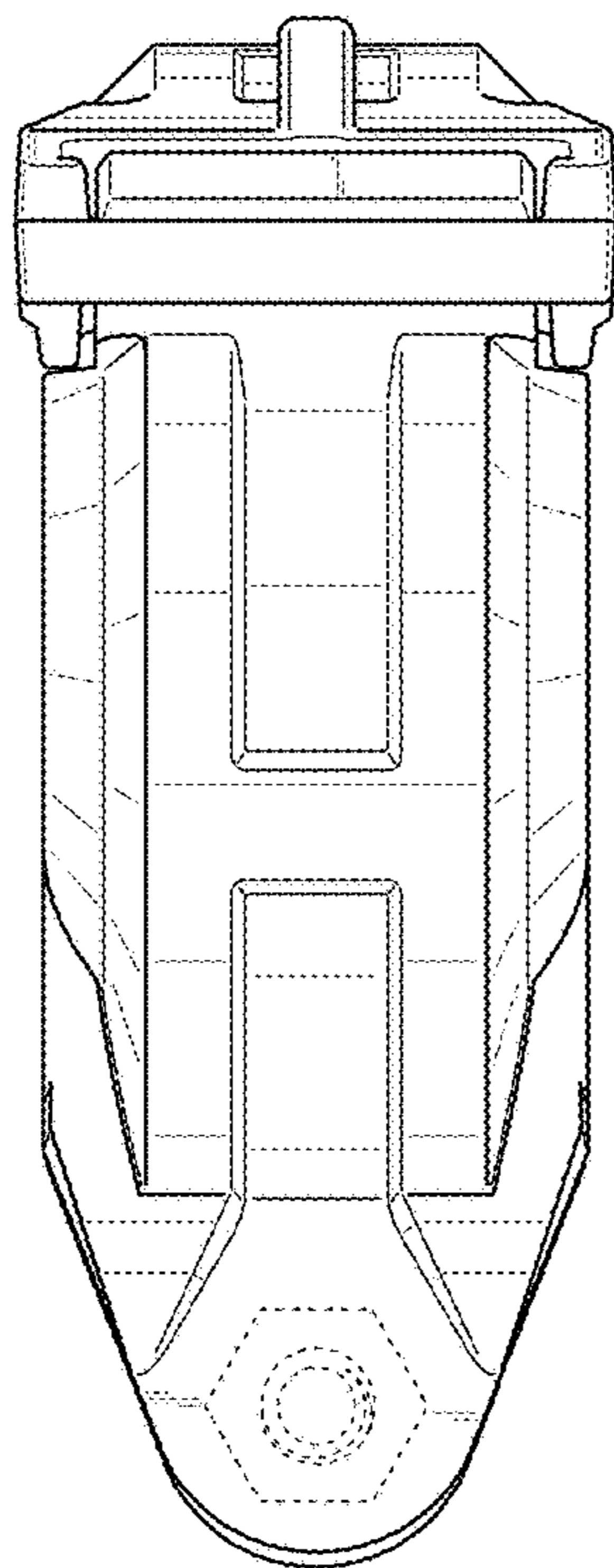


Fig. 11

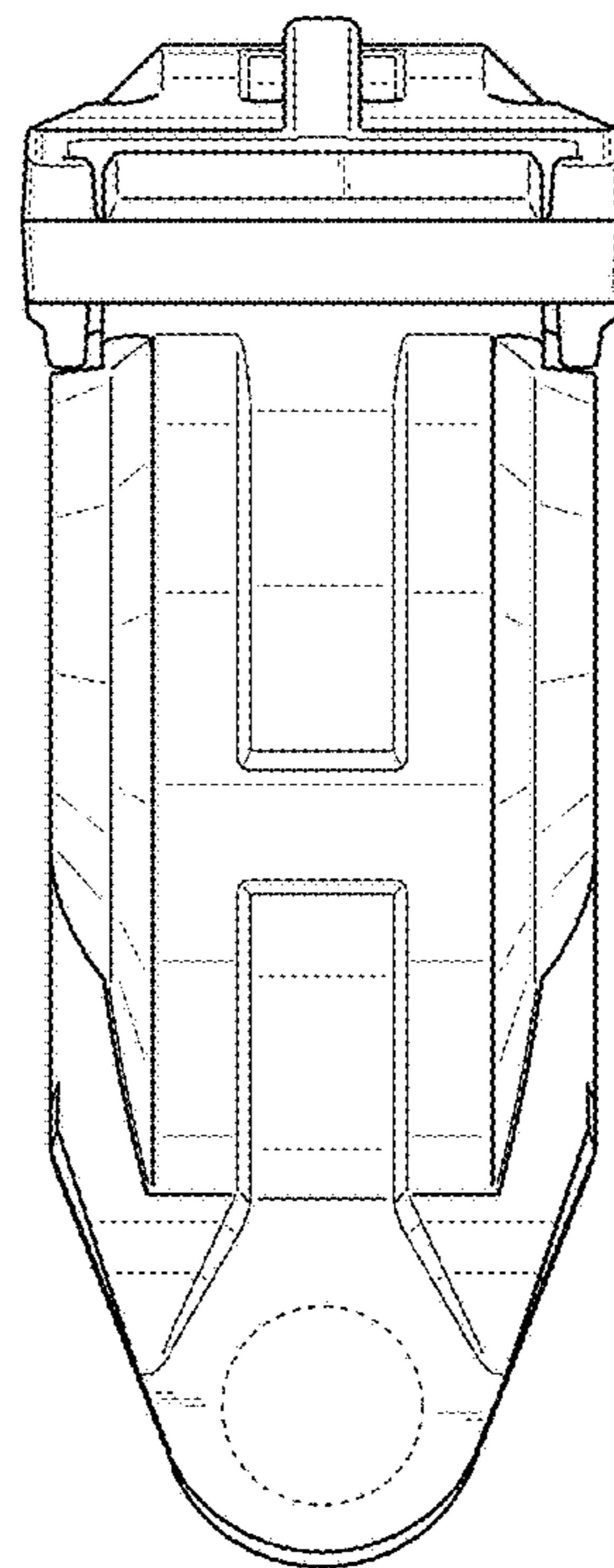


Fig. 12

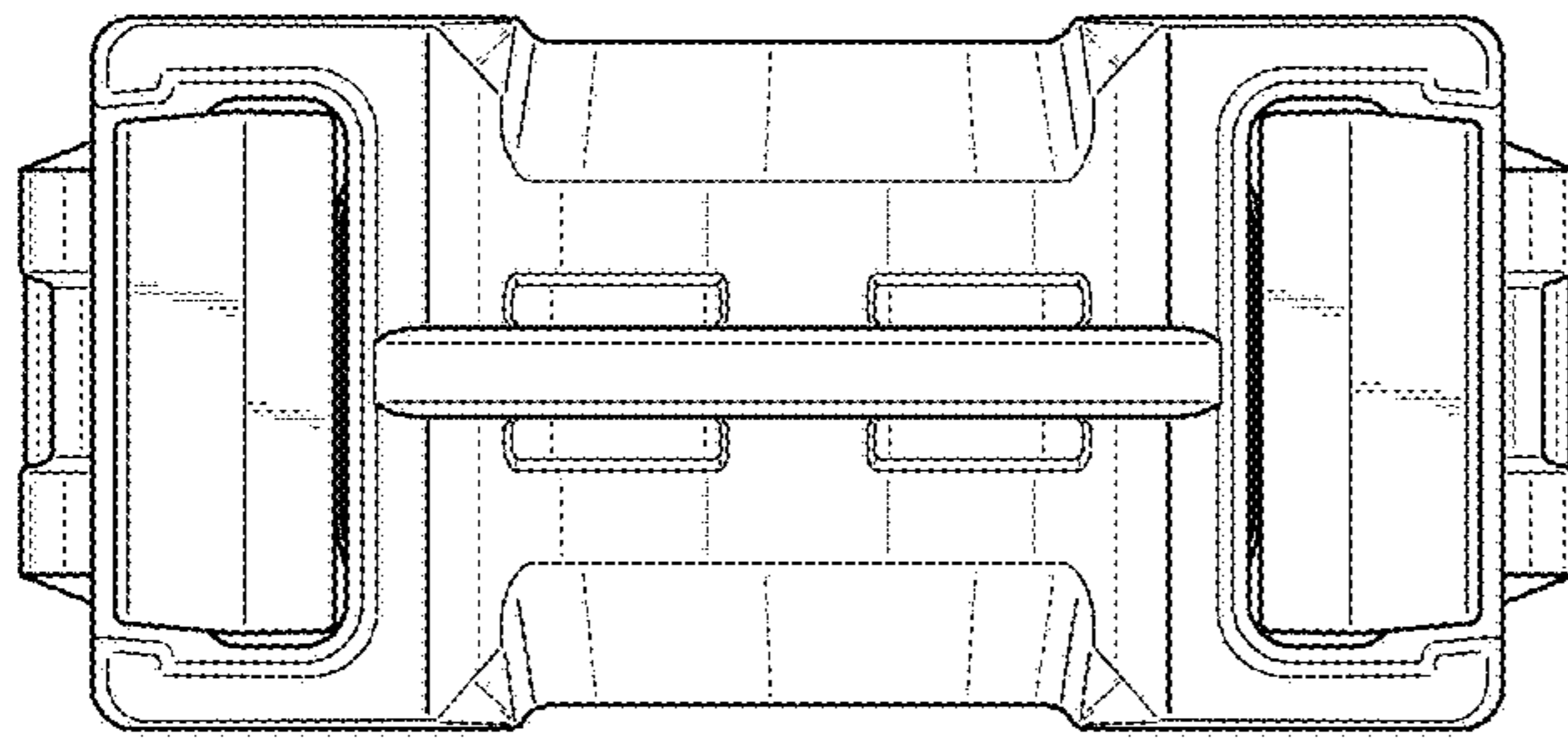


Fig. 13

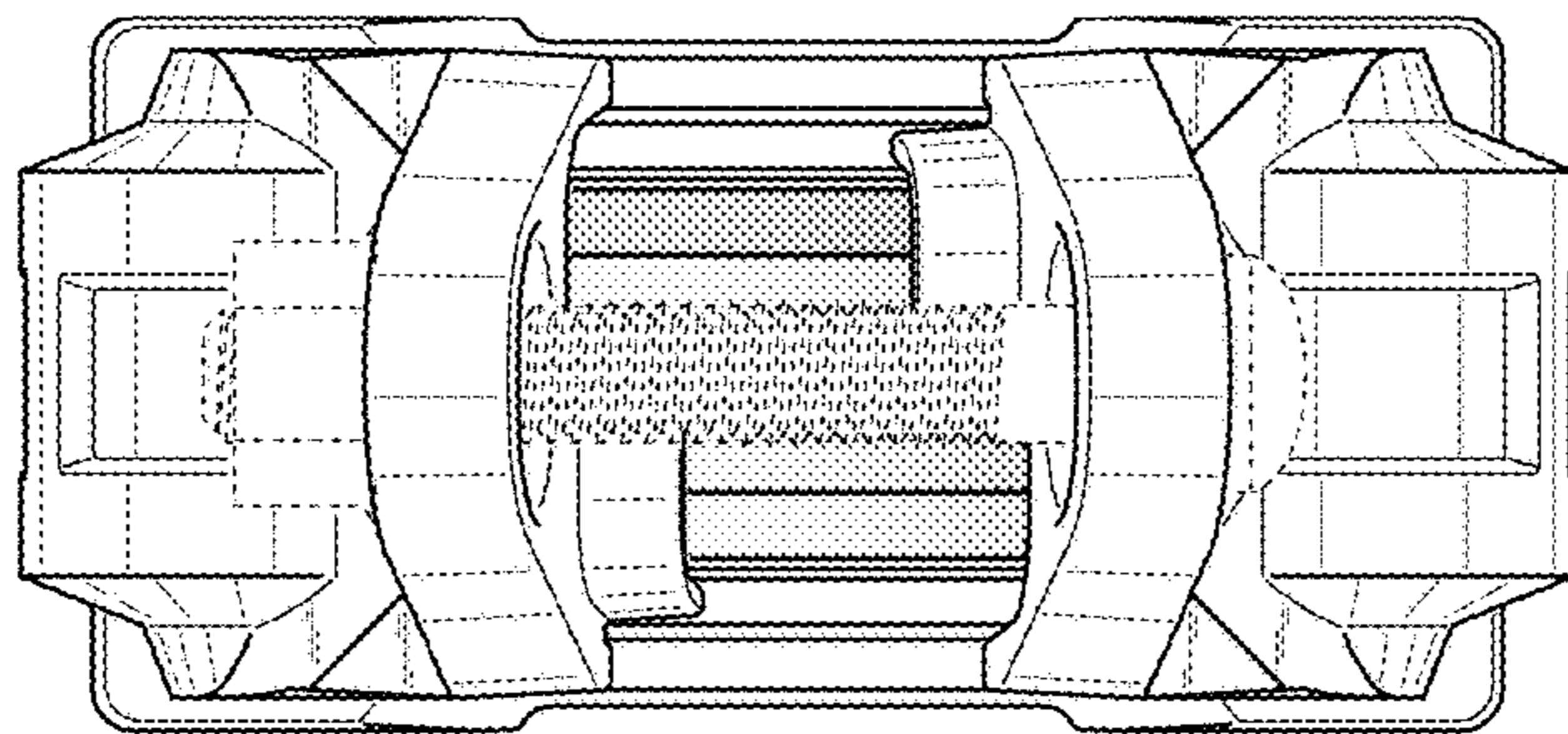


Fig. 14