



US00D865918S

(12) **United States Design Patent**
Knapp

(10) **Patent No.:** **US D865,918 S**

(45) **Date of Patent:** **** Nov. 5, 2019**

(54) **COUPLING ASSEMBLY**

(71) Applicant: **SpringSeal, Inc.**, Ravenna, OH (US)

(72) Inventor: **Mark Knapp**, Ravenna, OH (US)

(73) Assignee: **Springseal, Inc.**, Ravenna, OH (US)

(**) Term: **15 Years**

(21) Appl. No.: **29/613,496**

(22) Filed: **Aug. 10, 2017**

Related U.S. Application Data

(60) Continuation of application No. 14/249,608, filed on Apr. 10, 2014, now Pat. No. 9,752,711, which is a (Continued)

(51) **LOC (12) Cl.** **23-01**

(52) **U.S. Cl.**
USPC **D23/262**

(58) **Field of Classification Search**
USPC D23/292, 269, 264-266, 262; 285/110, 285/179, 235, 260, 319, 369, 417, 423, (Continued)

(56) **References Cited**

U.S. PATENT DOCUMENTS

2,201,372 A 5/1940 Miller
2,230,725 A 2/1941 Nathan
(Continued)

FOREIGN PATENT DOCUMENTS

CA 1091719 12/1980
CH 643644 A5 6/1984
(Continued)

OTHER PUBLICATIONS

Extended European Search Report for Patent Application No. 058537341 dated Sep. 24, 1999, (25 pages).
(Continued)

Primary Examiner — Eric L Goodman

Assistant Examiner — Amy C Wierenga

(74) *Attorney, Agent, or Firm* — Tarolli, Sundheim, Covell & Tummino LLP; John A. Yirga, Esq.

(57) **CLAIM**

The ornamental design for a coupling assembly, as shown and described.

DESCRIPTION

FIG. 1 is an upper left perspective view of a coupling assembly shown in a position of use, coupling a first pipe to a second pipe, an upper right perspective view being the same;

FIG. 2 is a lower left perspective view of FIG. 1, a lower right perspective view being the same;

FIG. 3 is a front elevation view of FIG. 1, a rear elevation view being the same;

FIG. 4 is a left side elevation view of FIG. 1, a right side elevation view being the same;

FIG. 5 is an exploded perspective view of FIG. 1;

FIG. 6 is cross-section view of a first half of FIG. 1 taken along lines 6-6 of FIG. 1, other half cross-sections being mirror images thereof;

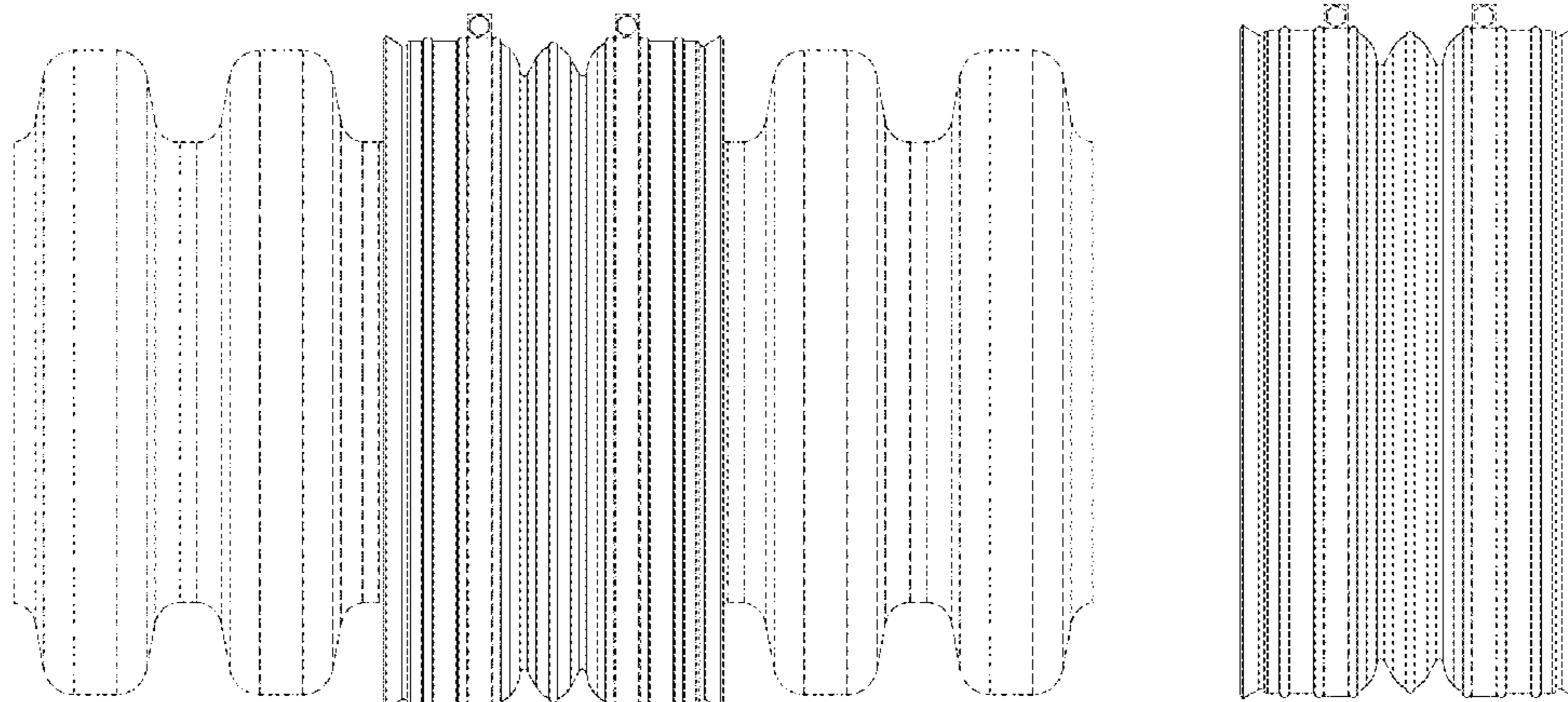
FIG. 7 is an upper left perspective view of a coupling assembly, an upper right perspective view being the same; FIG. 8 is a lower left perspective view of FIG. 7, a lower right perspective view being the same;

FIG. 9 is a front elevation view of FIG. 7, a rear elevation view being the same;

FIG. 10 is a left side elevation view of FIG. 7, a right side elevation view being the same;

FIG. 11 is an exploded perspective view of FIG. 7; and, FIG. 12 is cross-section view of a first half of FIG. 7 taken along lines 12-12 of FIG. 7, other half cross-sections being mirror images thereof.

1 Claim, 11 Drawing Sheets



Related U.S. Application Data

division of application No. 12/471,576, filed on May 26, 2009, now Pat. No. 8,727,387.

(58) **Field of Classification Search**

USPC 285/903, 921, 18, 229, 236, 252, 294.1, 285/323, 337, 373

CPC F16L 15/00; F16L 15/001; F16L 2201/60; F16L 37/084; F16L 21/00; F16L 21/02; F16L 21/06; F16L 21/08; F16L 21/03; F16L 25/12; F16L 25/0045; F16L 25/0054; F16L 17/025

See application file for complete search history.

(56) **References Cited**

U.S. PATENT DOCUMENTS

2,259,940 A 10/1941 Nathan
 2,578,933 A 12/1951 Hunter et al.
 2,702,716 A 2/1955 Basolo
 2,731,280 A * 1/1956 Goodliffe F16L 21/005
 220/321
 2,953,398 A 9/1960 Haugen et al.
 3,031,200 A 4/1962 Hamer
 3,081,102 A 3/1963 Murray et al.
 3,118,682 A 1/1964 Fredd
 3,368,830 A 2/1968 French
 3,380,763 A 4/1968 Schmunk
 3,386,745 A 6/1968 Hein
 3,390,890 A 7/1968 Kurtz
 3,445,120 A 5/1969 Barr
 3,469,854 A 9/1969 Linwood
 3,501,179 A * 3/1970 Felton F16L 25/0036
 138/109
 3,695,639 A 10/1972 Shire et al.
 3,796,447 A 3/1974 De Putter
 3,813,107 A 5/1974 Ditcher
 3,856,315 A 12/1974 Stansbury
 3,861,721 A 1/1975 Berghofer
 3,865,386 A 2/1975 Wilke
 3,887,674 A 6/1975 Oostenbrink
 3,955,834 A 5/1976 Ahlrot
 4,018,461 A 4/1977 Bram
 4,036,513 A 7/1977 Loftus et al.
 4,059,293 A 11/1977 Sipler
 4,097,074 A 6/1978 Nagao et al.
 4,140,742 A 2/1979 Fischer
 4,141,576 A 2/1979 Lupke et al.
 4,173,362 A 11/1979 Glover et al.
 4,174,985 A 11/1979 Buidry
 4,186,949 A * 2/1980 Bartha F16L 27/108
 285/226
 4,188,040 A 2/1980 Wolf et al.
 4,223,895 A 9/1980 Roberts, Jr. et al.
 4,298,206 A 11/1981 Kojima
 4,333,662 A 6/1982 Jones
 4,365,818 A 12/1982 Tolliver
 4,371,179 A 2/1983 Bohman
 4,380,348 A * 4/1983 Swartz F16L 25/14
 285/236
 4,387,900 A 6/1983 Ditcher et al.
 4,394,024 A 7/1983 Delhaes
 4,395,159 A 7/1983 Karuks et al.
 4,487,421 A 12/1984 Housas et al.
 4,518,177 A * 5/1985 Deakins F16L 21/005
 248/62
 4,538,837 A 9/1985 Cronk
 4,552,914 A 11/1985 Sterling
 4,564,220 A 1/1986 Sills et al.
 4,566,704 A 1/1986 Van Dongeren
 4,575,128 A 3/1986 Sundquist
 4,585,026 A 4/1986 Norton
 4,602,792 A 7/1986 Andrick
 4,602,793 A 7/1986 Andrick
 4,630,848 A 12/1986 Twist et al.

4,641,858 A 2/1987 Roux
 4,642,269 A 2/1987 Kohyama et al.
 4,702,502 A 10/1987 Shade et al.
 4,711,474 A 12/1987 Patrick
 4,743,422 A 5/1988 Kalris-Nielsen et al.
 4,772,154 A 9/1988 Carouille
 4,795,166 A 1/1989 Imler
 4,818,209 A 4/1989 Peterson et al.
 4,826,028 A 5/1989 Vassallo et al.
 4,834,398 A 5/1989 Guzowski et al.
 4,946,206 A 8/1990 Roe et al.
 4,969,653 A 11/1990 Breen
 5,013,052 A 5/1991 Butler et al.
 5,039,137 A 8/1991 Cankovic et al.
 5,045,635 A 9/1991 Kaplo et al.
 5,058,907 A 10/1991 Percebois et al.
 5,064,207 A 11/1991 Bengtsson
 5,067,751 A 11/1991 Walworth et al.
 5,106,129 A 4/1992 Camacho et al.
 5,114,162 A 5/1992 Ditcher
 5,143,381 A 9/1992 Temple
 5,163,717 A * 11/1992 Wise F16L 25/0036
 285/236
 5,163,718 A 11/1992 Cannon
 5,169,161 A 12/1992 Jones
 5,180,196 A 1/1993 Skinner
 5,288,087 A 2/1994 Bertoido
 5,324,083 A 6/1994 Vogelsang
 5,326,138 A 7/1994 Claes et al.
 5,346,662 A 9/1994 Black et al.
 5,360,851 A 11/1994 Feder et al.
 5,383,693 A * 1/1995 Shade F16L 21/005
 277/607
 5,407,236 A 4/1995 Schwarz et al.
 5,415,436 A 5/1995 Claes et al.
 5,431,458 A * 7/1995 Schaub F16L 21/005
 285/236
 5,542,717 A 8/1996 Rea et al.
 5,566,955 A 10/1996 Preisendoerfer
 5,573,279 A 11/1996 Rea et al.
 5,577,741 A 11/1996 Sink
 5,603,532 A 2/1997 Guest
 5,626,349 A 5/1997 Sutherland et al.
 5,679,303 A 10/1997 Hayashi et al.
 5,687,976 A 11/1997 Andrick et al.
 5,722,702 A 3/1998 Washburn
 5,733,491 A 3/1998 Grosset et al.
 5,735,528 A 4/1998 Olsson
 5,806,593 A 9/1998 Surles
 5,813,705 A 9/1998 Dole
 5,961,161 A * 10/1999 Sponer F16L 17/04
 24/279
 5,973,061 A 10/1999 Feder et al.
 5,988,695 A 11/1999 Corbett, Jr.
 5,992,469 A 11/1999 Hegler
 5,996,635 A 12/1999 Hegler
 6,082,741 A 7/2000 Gregoire et al.
 6,126,173 A 10/2000 Westhoff et al.
 6,126,209 A 10/2000 Goddard
 6,170,683 B1 1/2001 Mattsson et al.
 6,193,285 B1 2/2001 Proctor
 6,237,966 B1 5/2001 Kearns
 6,326,309 B2 12/2001 Corbett, Jr.
 6,343,623 B2 2/2002 Hegler
 6,359,073 B1 3/2002 Babb et al.
 6,367,802 B1 4/2002 Knapp
 6,458,301 B1 10/2002 Hendrix
 6,476,141 B1 11/2002 Chang et al.
 6,550,775 B2 4/2003 Knapp
 6,620,369 B1 9/2003 Mead
 6,726,219 B2 4/2004 Bivens
 6,739,632 B1 5/2004 Thomas et al.
 6,877,780 B2 * 4/2005 Potts F16L 21/005
 285/367
 6,938,933 B2 9/2005 Starita
 6,994,381 B1 * 2/2006 Shade F16L 21/022
 285/231
 7,207,606 B2 4/2007 Owen et al.
 D576,260 S * 9/2008 Chan D23/269

(56)

References Cited

U.S. PATENT DOCUMENTS

7,434,850 B2 * 10/2008 Duininck F16L 25/0045
285/374

7,469,905 B2 12/2008 Knapp

D609,789 S * 2/2010 Milnes D23/262

D643,912 S * 8/2011 Bowman D23/269

8,651,532 B2 * 2/2014 Felber F16L 21/005

8,727,387 B2 * 5/2014 Knapp F16L 17/025
285/369

8,801,049 B2 * 8/2014 Knapp F16L 17/025
285/369

D787,026 S * 5/2017 Filer D23/262

9,752,711 B2 9/2017 Knapp

2001/0052702 A1 12/2001 Starita

2001/0054820 A1 12/2001 Starita

2002/0074741 A1 6/2002 Knapp

2003/0020276 A1 1/2003 Steele

2004/0007875 A1 * 1/2004 Bishop F16L 21/06
285/369

2004/0041347 A1 3/2004 Beach et al.

2004/0072949 A1 4/2004 Ding et al.

2004/0108722 A1 6/2004 Starita

2004/0113327 A1 6/2004 Starita

2004/0207201 A1 10/2004 Starita

2005/0099003 A1 5/2005 Tarara

2005/0104376 A1 * 5/2005 Presby F16L 21/06
285/369

2005/0167982 A1 8/2005 Starita

2006/0267343 A1 11/2006 Wright

2006/0279084 A1 12/2006 Collins

2007/0001456 A1 1/2007 Diez et al.

2007/0075544 A1 4/2007 Duininck et al.

2007/0290455 A1 12/2007 Knapp et al.

2009/0065968 A1 3/2009 Knapp

2009/0295153 A1 * 12/2009 Knapp F16L 17/025
285/331

2010/0117360 A1 * 5/2010 Chan F16L 21/005
285/373

2012/0274065 A1 * 11/2012 Knapp F16L 17/025
285/417

FOREIGN PATENT DOCUMENTS

DE 3113320 2/1982

DE 3728034 A1 3/1989

DE 3826622 2/1990

DE 3909381 12/1990

DE 4003283 A1 8/1991

DE 4207849 9/1993

DE 4241622 6/1994

DE 19628639 1/1998

EP 192597 A2 8/1986

EP 03111296 4/1989

GB 2218768 11/1989

GB 2331137 5/1999

JP 02113193 4/1990

JP 04277394 10/1992

JP 06109174 4/1994

JP 06109193 4/1994

JP 06221482 8/1994

JP 2620177 6/1997

WO WO 00/53695 9/2000

OTHER PUBLICATIONS

International Preliminary Report on Patentability and Written Opinion on PCT/US2009/045114, dated Jul. 1, 2009. (6 pages).

International Search Report for PCT/US2009/45114 dated Jul. 1, 2009. (2 pages).

Two-page advertisement entitled "Cost-Effective Watertight Seals for Corrugated Pipe", print out from NPC, Inc. website on Mar. 11, 2008. <http://npc.com/products/pipe-connectors/pipe-adaptor.htm>.

Two-page advertisement showing "Watertite Joint Design", print out from CPP Engineering, LLC website on Mar. 11, 2008. <http://www.cpp-engineering.com/WatertiteJointDesign.htm>.

One-page advertisement entitled "No-Hub Couplings", print out from Fernco, Inc. website on Dec. 1, 2009. <http://www.fernco.com/plumbing/shielded--couplings/no-hub-couplings>.

* cited by examiner

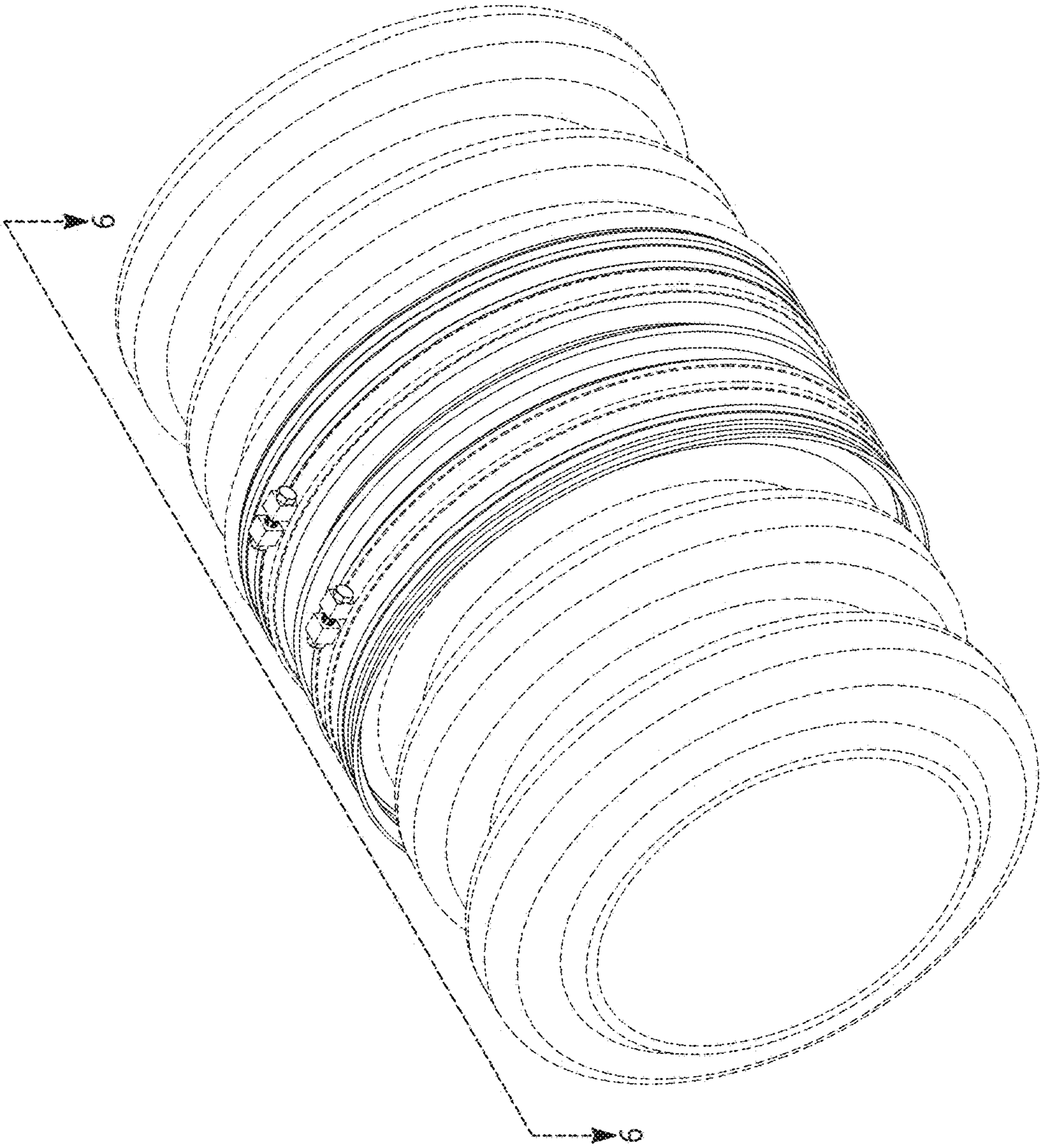


FIG. 1

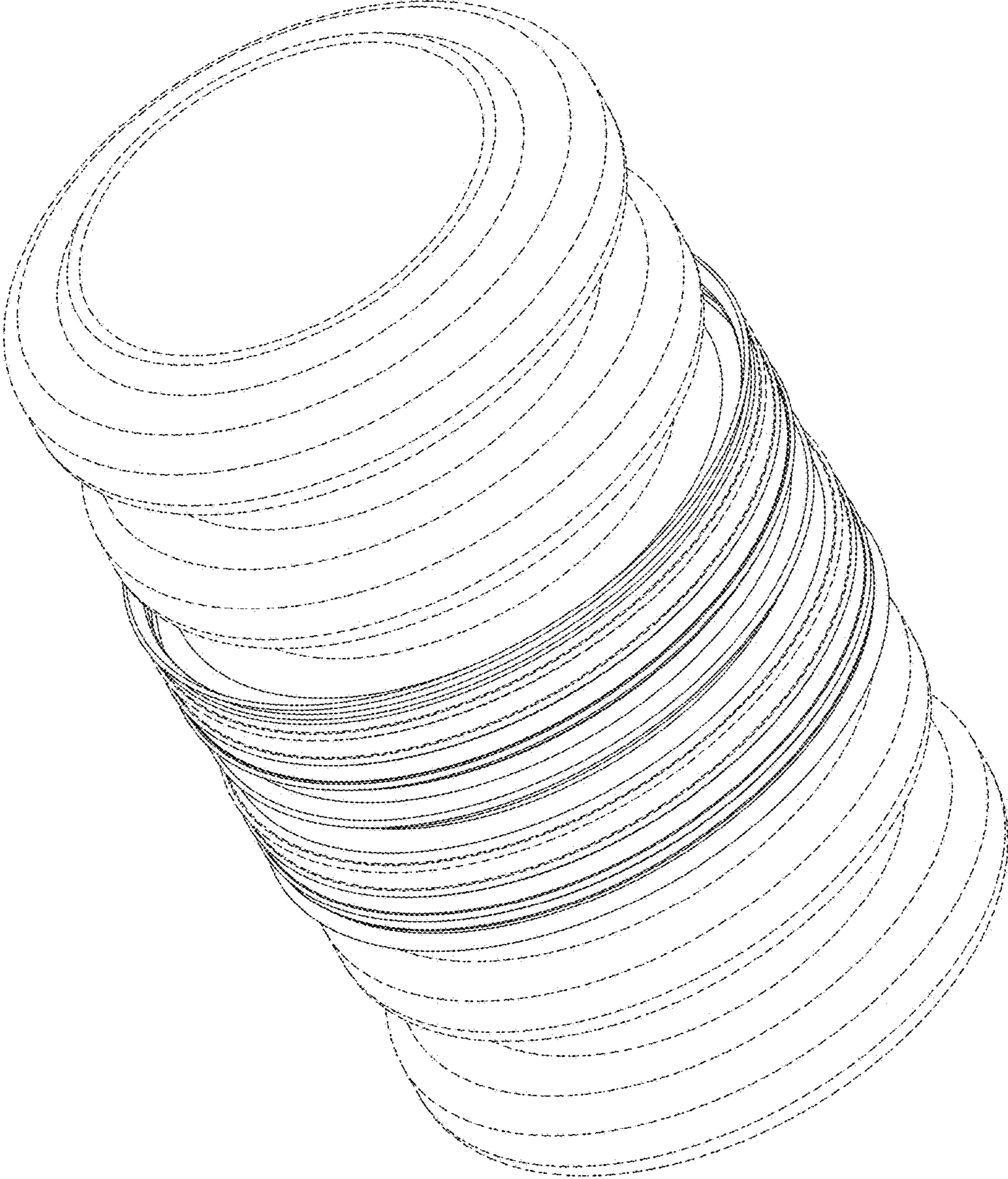


FIG. 2

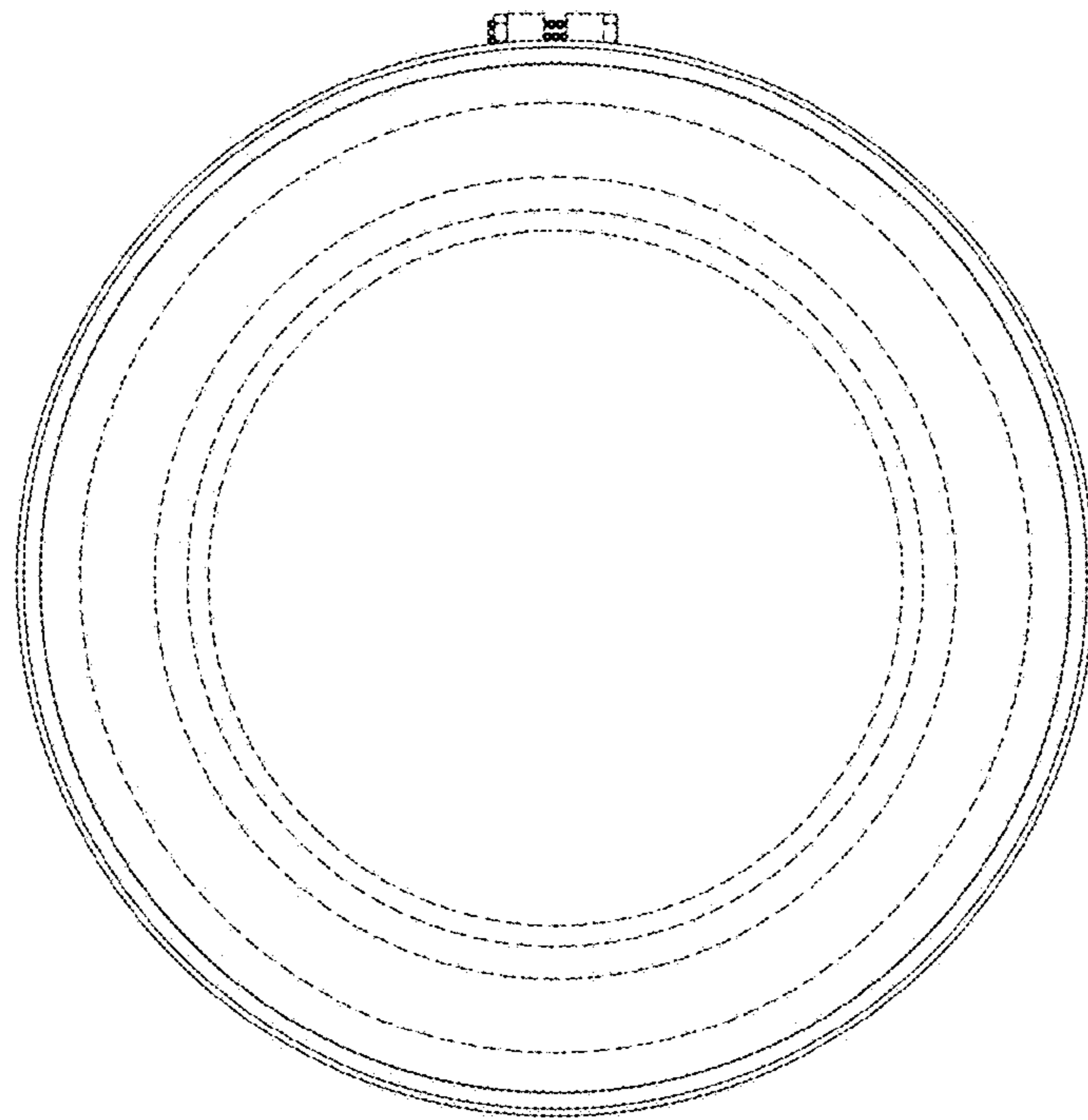


FIG. 3

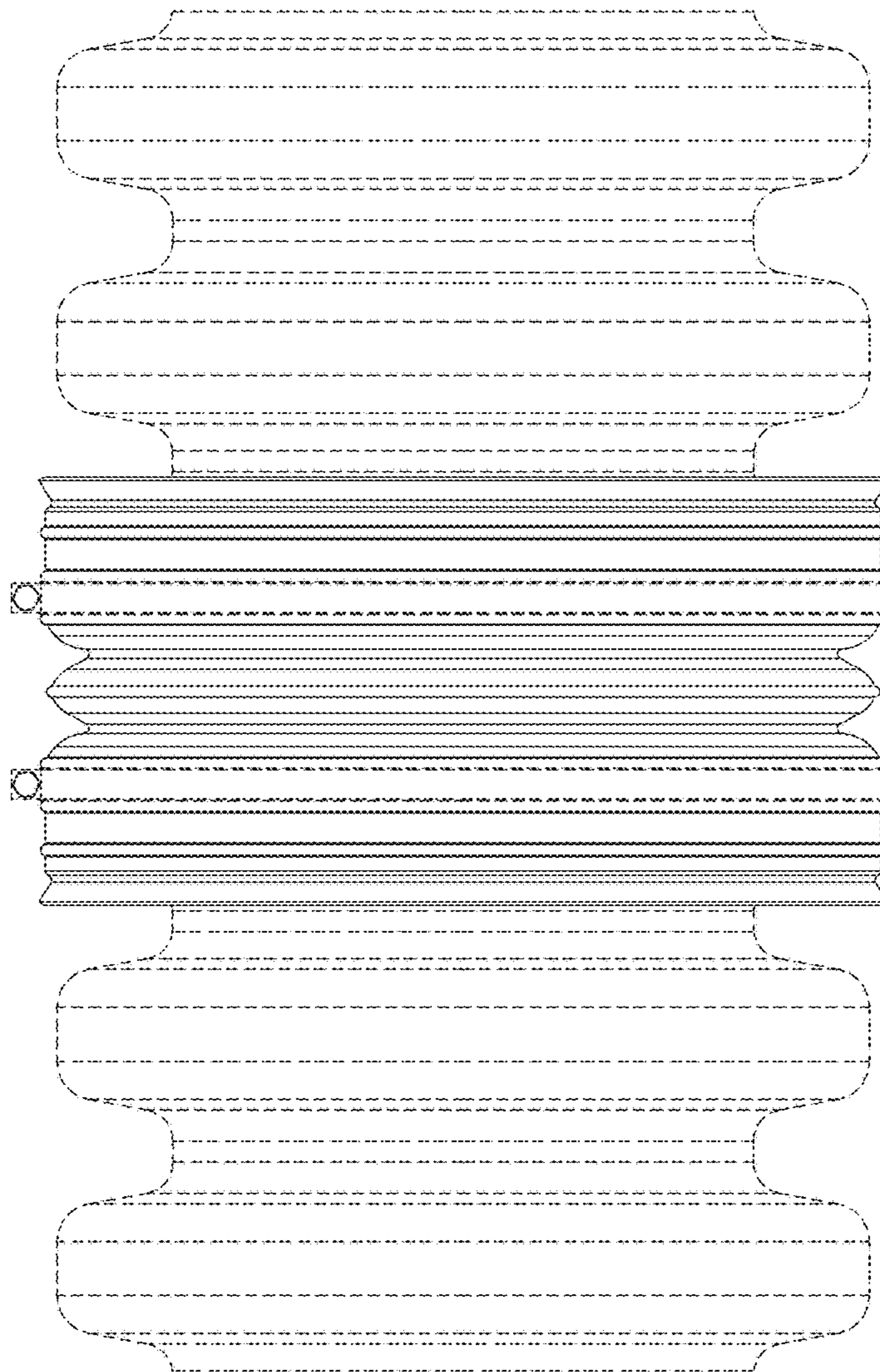


FIG. 4

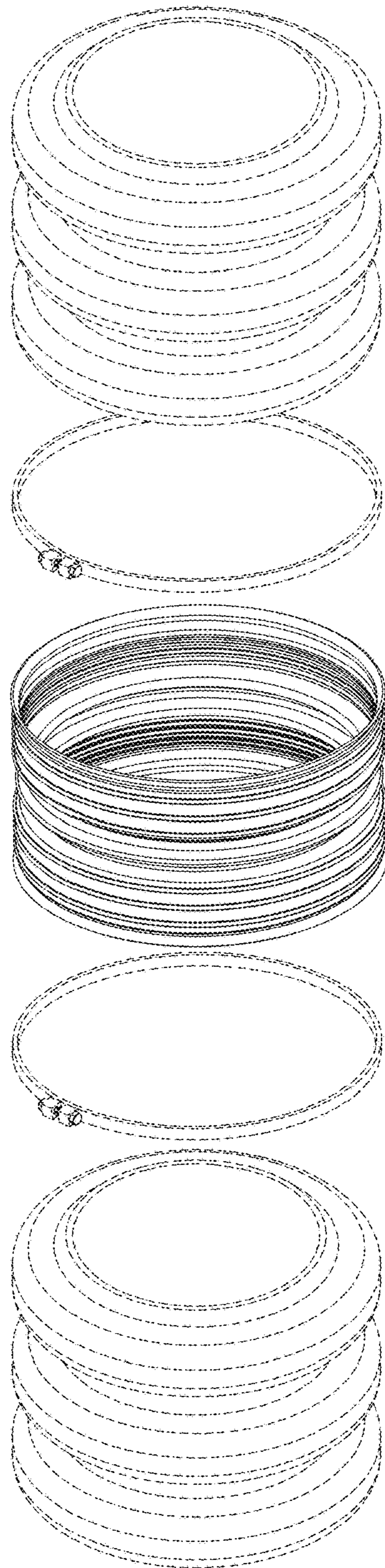


FIG. 5

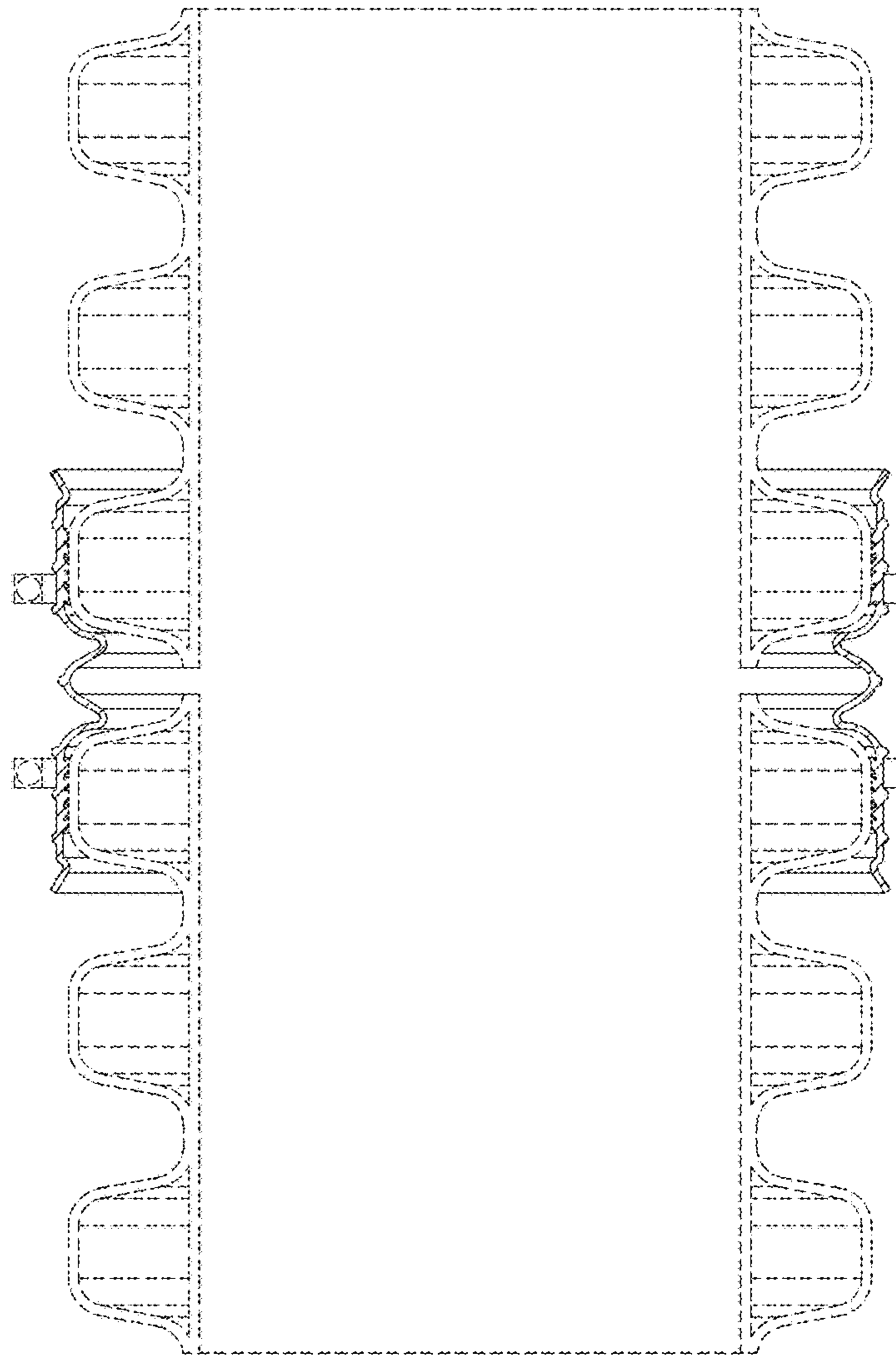


FIG. 6

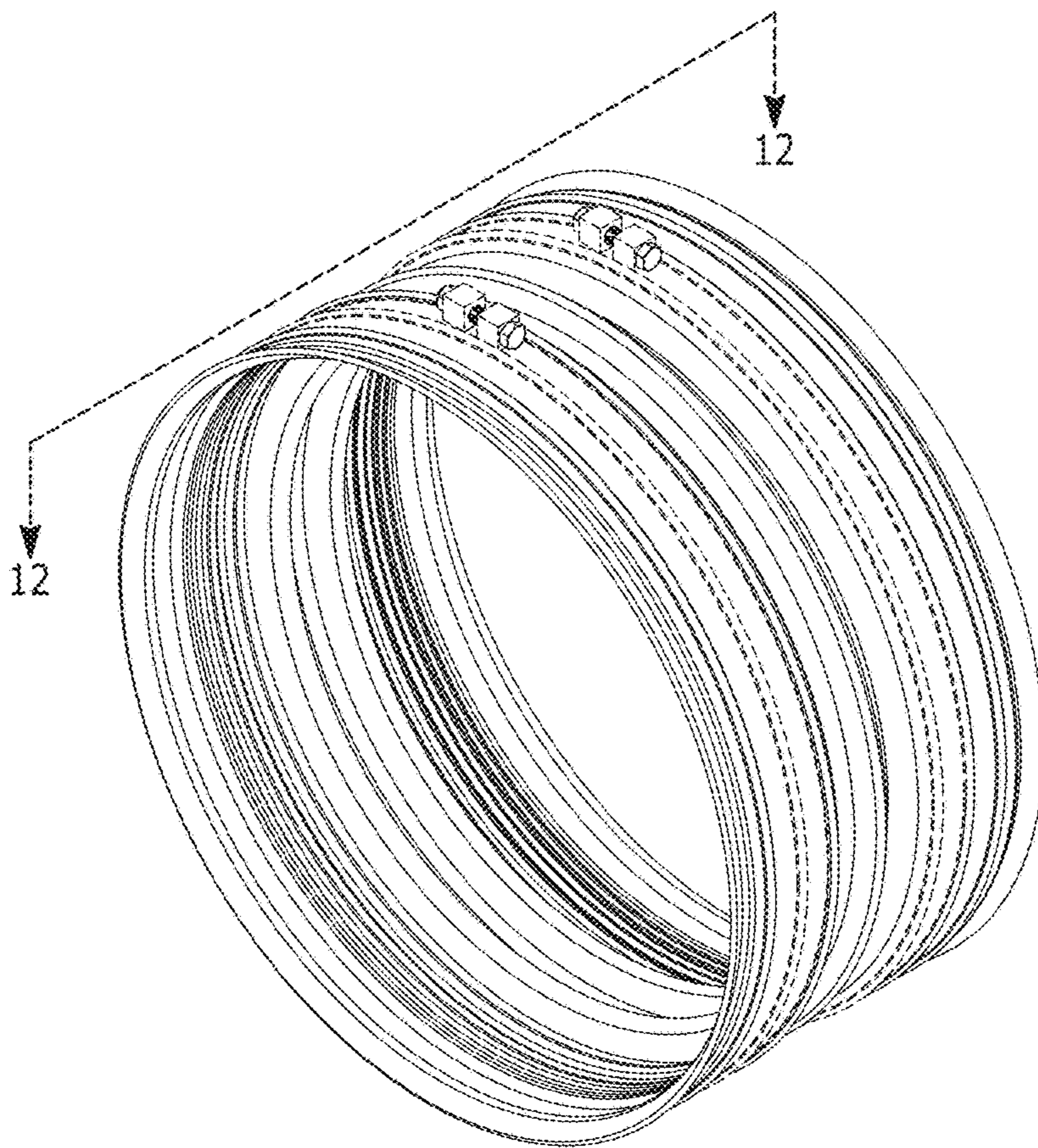


FIG. 7

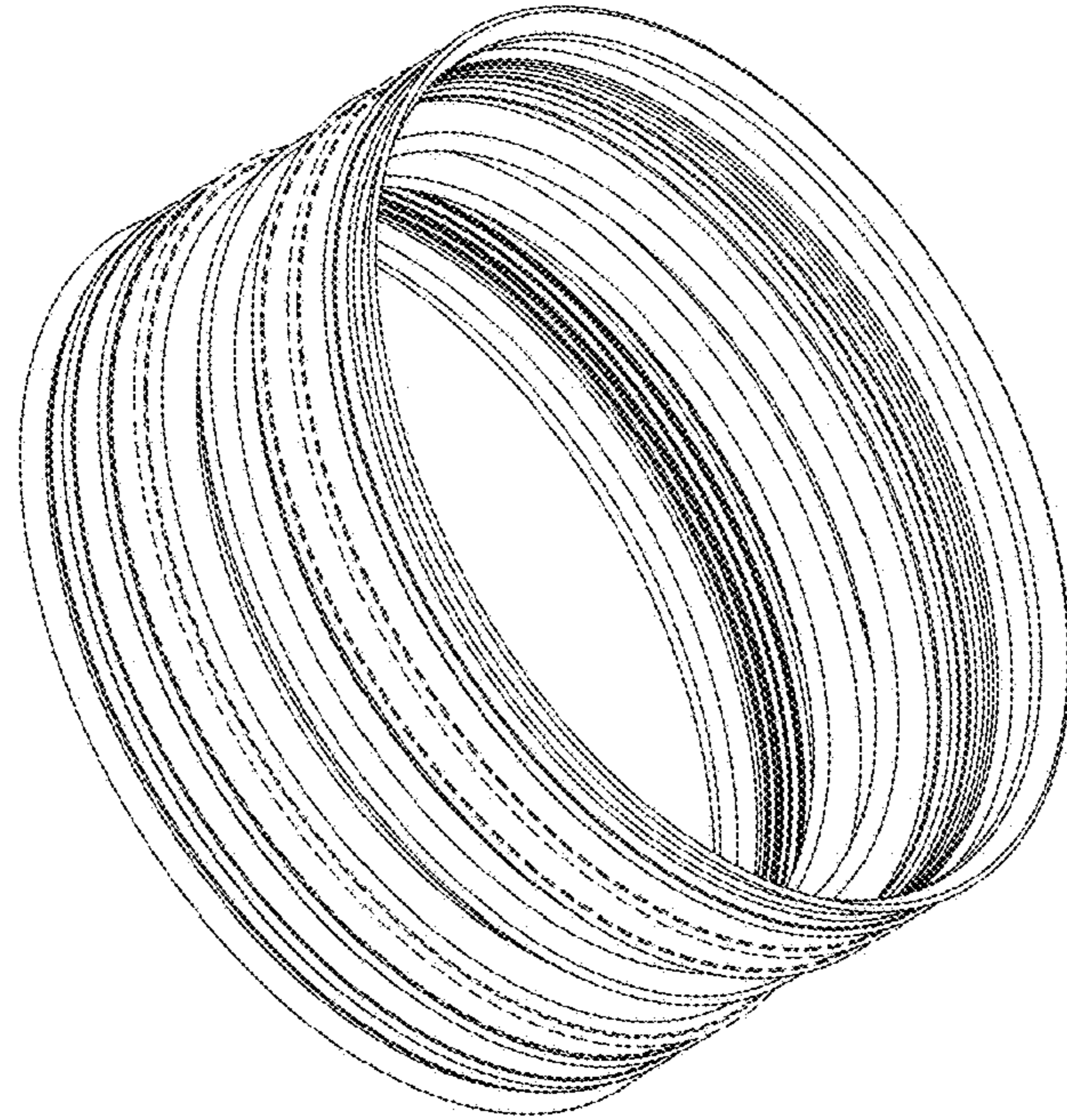


FIG. 8

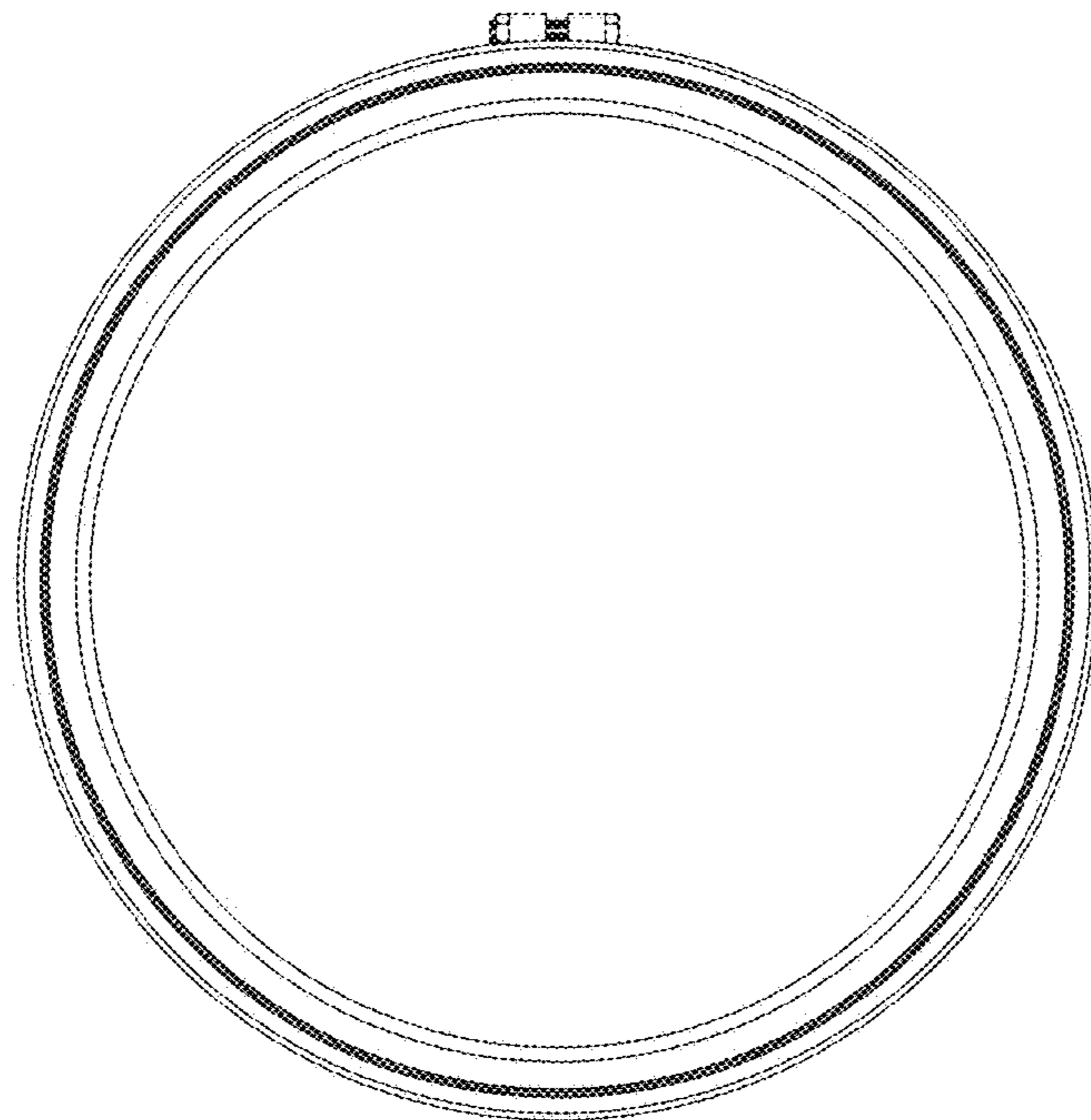


FIG. 9

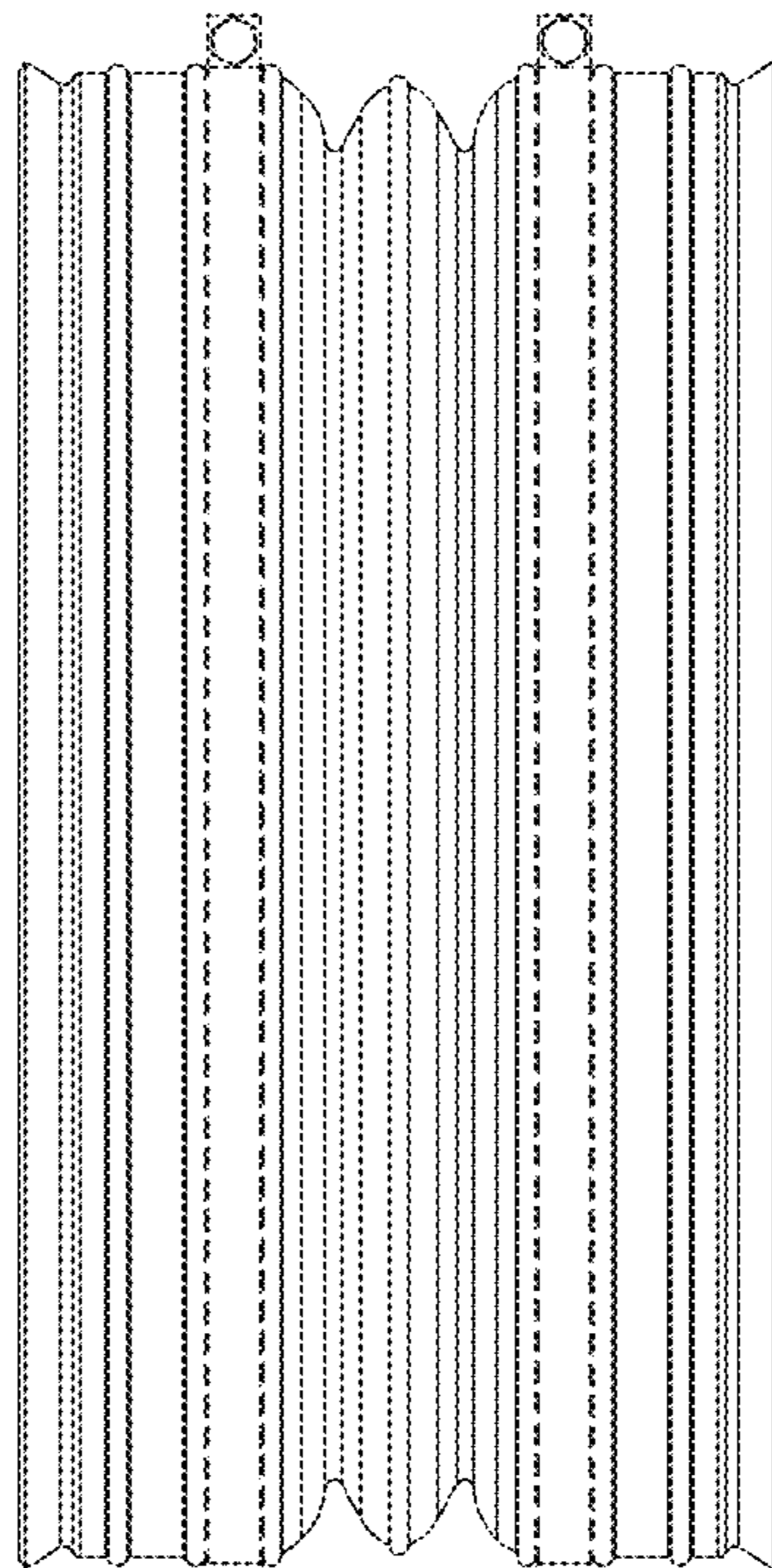


FIG. 10

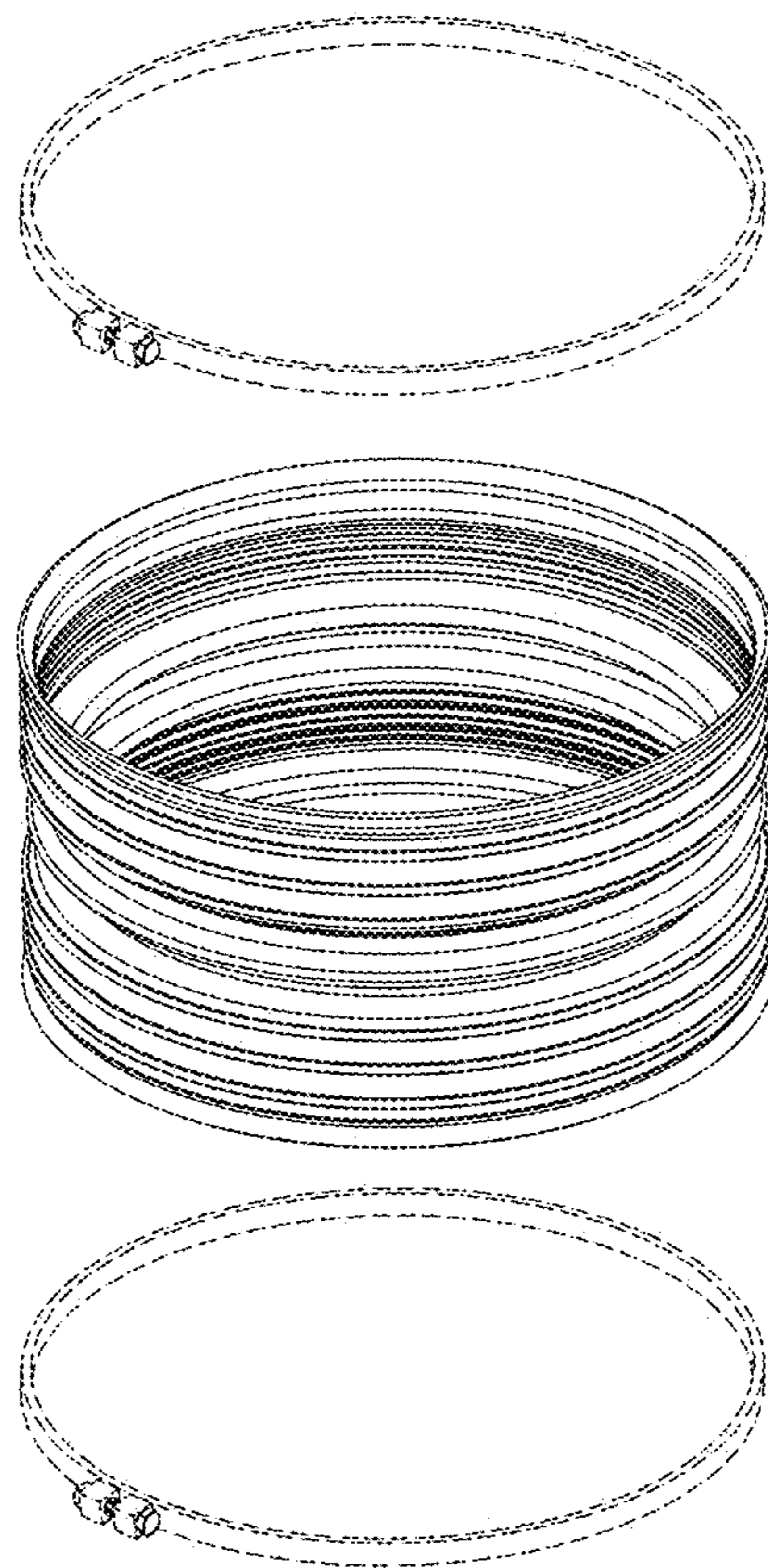


FIG. 11

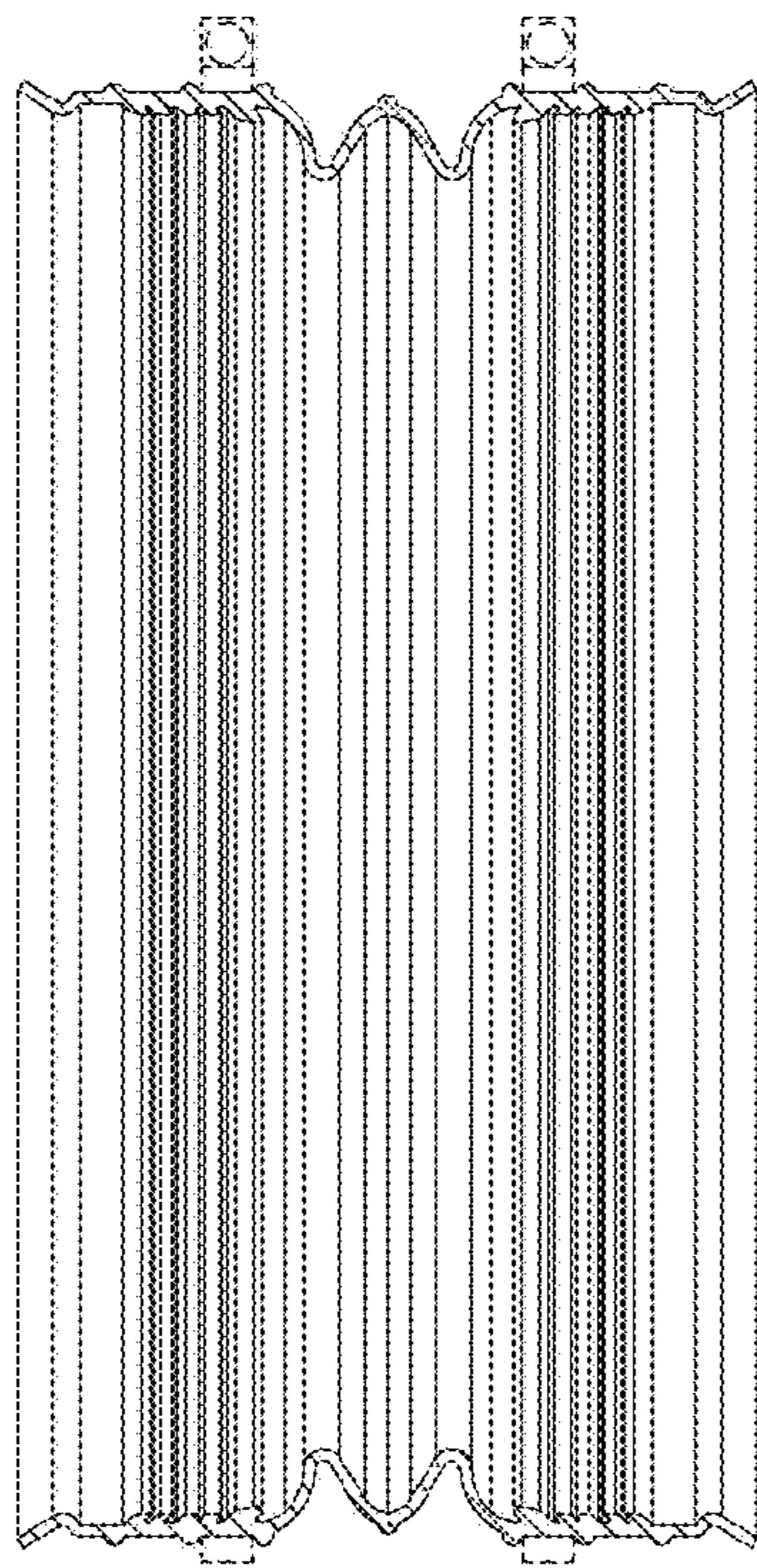


FIG. 12