

US00D865916S

(12) **United States Design Patent** (10) **Patent No.:** **US D865,916 S**
Meyers et al. (45) **Date of Patent:** **** Nov. 5, 2019**

- (54) **FAUCET HANDLE**
- (71) Applicant: **Beijing Kohler Ltd.**, Beijing (CN)
- (72) Inventors: **Jordan Meyers**, Paradise Valley, AZ (US); **Chia Ying Lee**, Chicago, IL (US); **Sophie Su**, Shanghai (CN)
- (73) Assignee: **BEIJING KOHLER LTD.**, Beijing (CN)
- (**) Term: **15 Years**
- (21) Appl. No.: **29/701,175**
- (22) Filed: **Aug. 8, 2019**

- D303,930 S 10/1989 Durand
- D531,702 S 11/2006 Haug
- D674,704 S 1/2013 Baussan
- D758,745 S 6/2016 Blakely
- D787,640 S 5/2017 Kirar
- D824,141 S 7/2018 Binger
- D837,945 S 1/2019 Soulier

Primary Examiner — Robert A Delehanty
(74) *Attorney, Agent, or Firm* — Foley & Lardner LLP

(57) **CLAIM**

We claim the ornamental design for a faucet handle, as shown and described.

DESCRIPTION

FIG. 1 is a perspective view of an embodiment of the claimed design;
FIG. 2 is a side view of the claimed design shown in FIG. 1;
FIG. 3 is a side view of the claimed design shown in FIG. 1;
FIG. 4 is a front view of the claimed design shown in FIG. 1;
FIG. 5 is a rear view of the claimed design shown in FIG. 1;
FIG. 6 is a top view of the claimed design shown in FIG. 1; and,
FIG. 7 is a bottom view of the claimed design shown in FIG. 1.

The ornamental design which is claimed is shown in in the drawings as solid lines and surfaces having surface shading. The broken lines in the drawings are for illustrative purposes only and form no part of the claimed design. For example, broken lines formed by equal length dashes show unclaimed portions of the design. Broken lines formed of unequal length dashes (i.e., dash-dot) show boundaries between either claimed and unclaimed portions of the design or between unclaimed and unclaimed portions of the design.

1 Claim, 3 Drawing Sheets

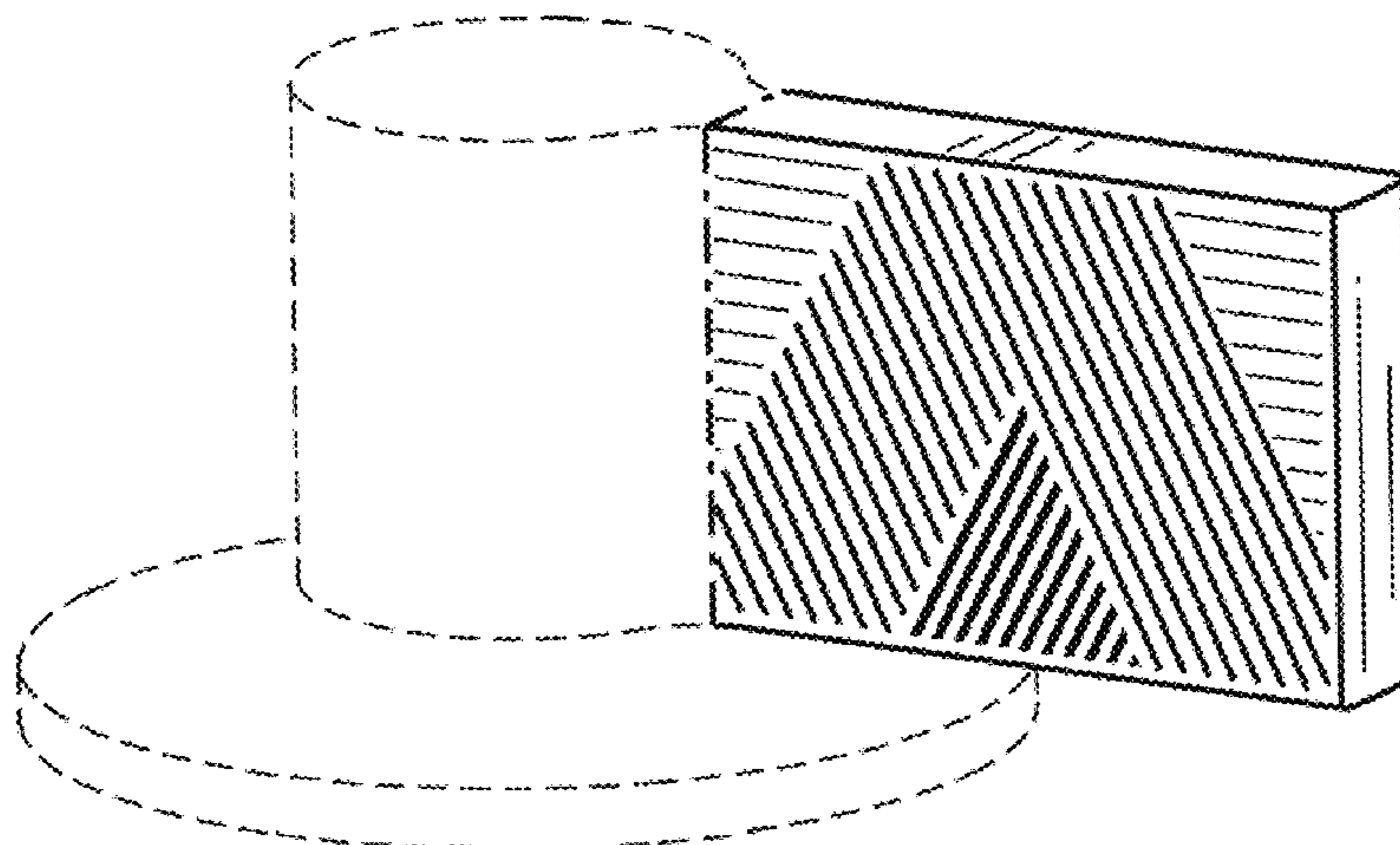
Related U.S. Application Data

- (62) Division of application No. 29/649,747, filed on Jun. 1, 2018.
- (51) **LOC (12) Cl.** **23-01**
- (52) **U.S. Cl.**
USPC **D23/252**
- (58) **Field of Classification Search**
USPC D23/249–250, 252–254, 238–243;
D8/307–308, 305, 352; D9/681, 556,
D9/569; D14/440; D5/56, 2, 58, 60
CPC Y10T 137/9464; Y10T 137/6014; Y10T
137/6017
See application file for complete search history.

(56) **References Cited**

U.S. PATENT DOCUMENTS

- D87,343 S 7/1932 Hamilton
- D92,521 S 6/1934 Cassidy
- D110,034 S 6/1935 Reynolds
- D102,444 S 12/1936 Petty
- D102,942 S 1/1937 Covert
- D118,357 S 12/1939 Wechsler



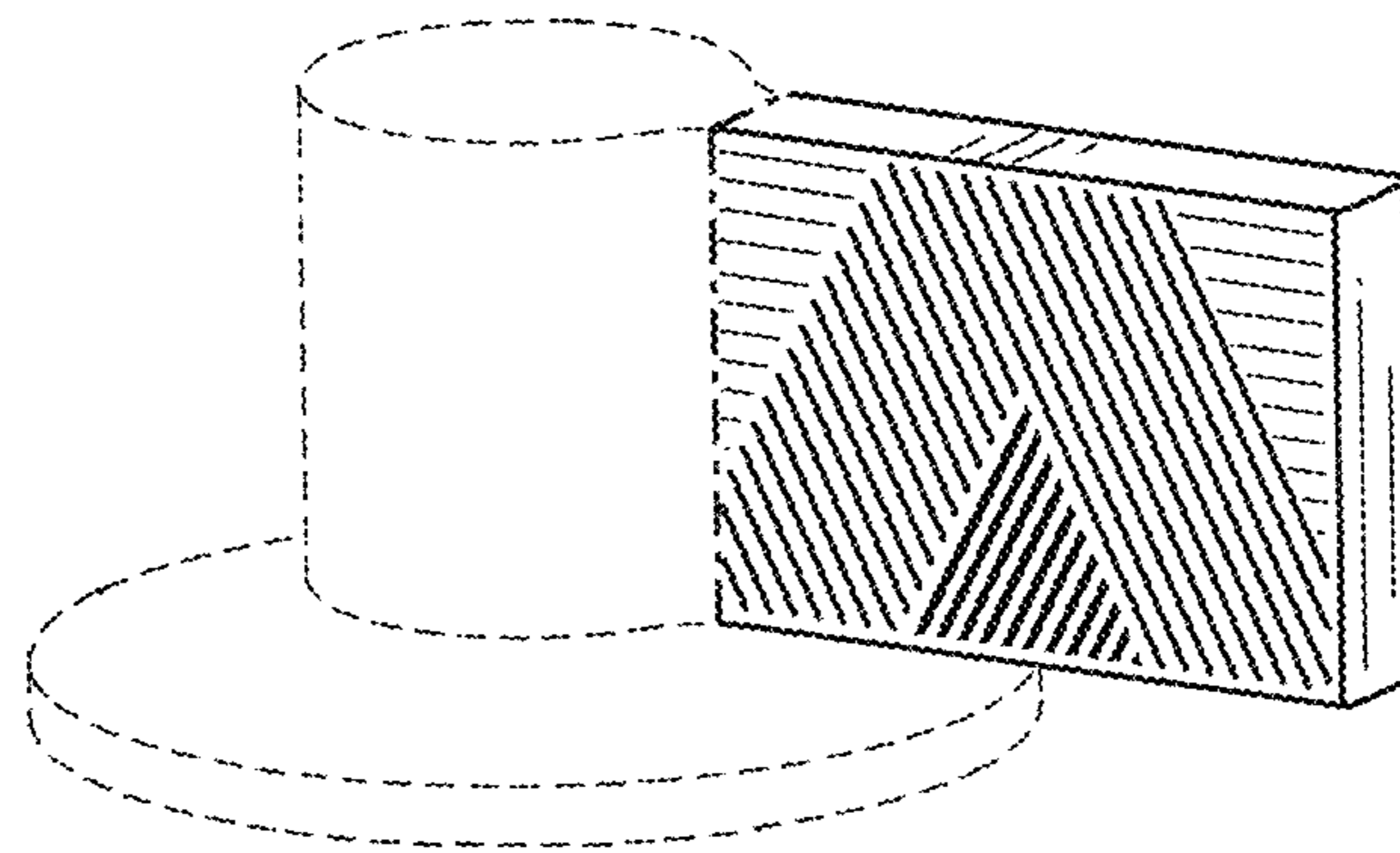


FIG. 1

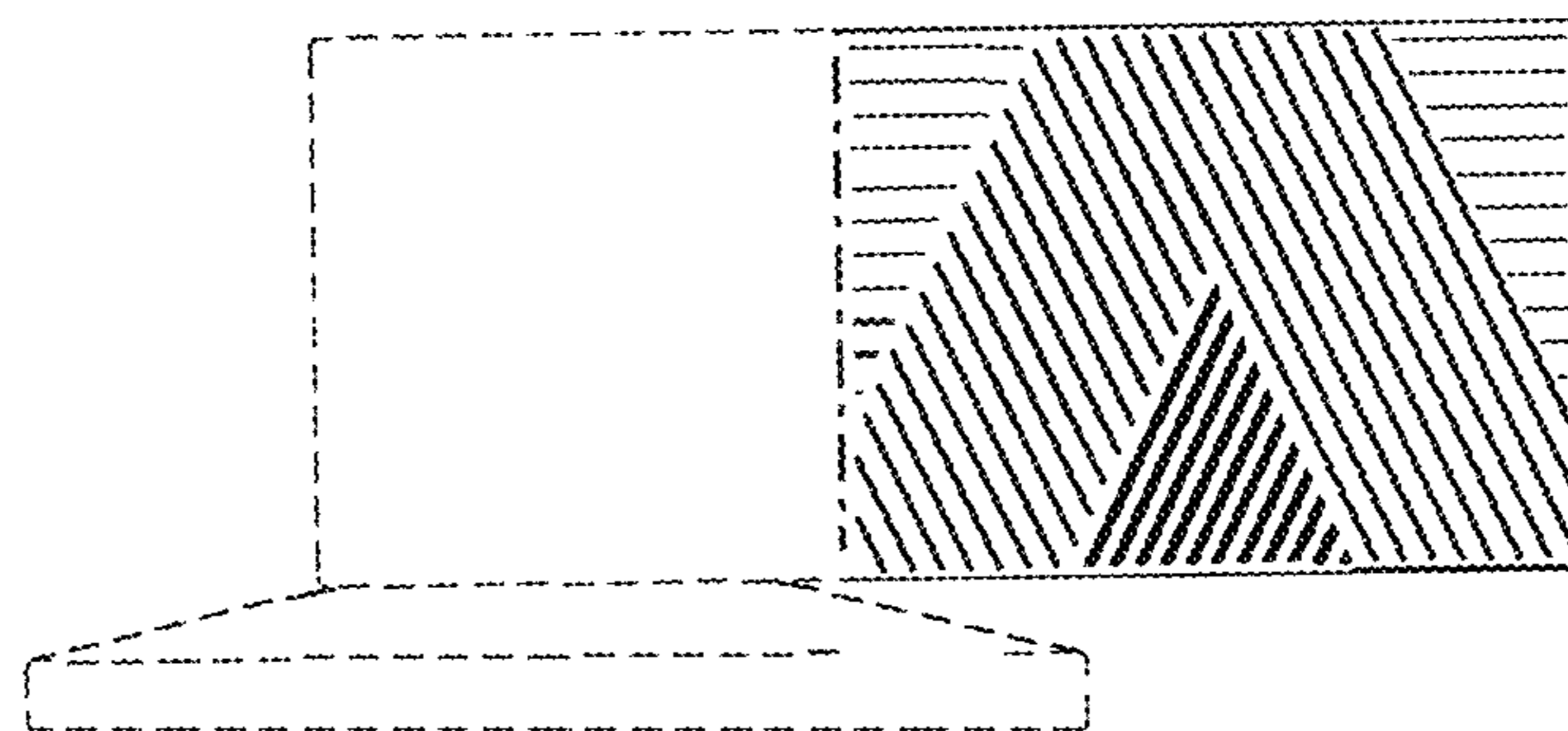


FIG. 2

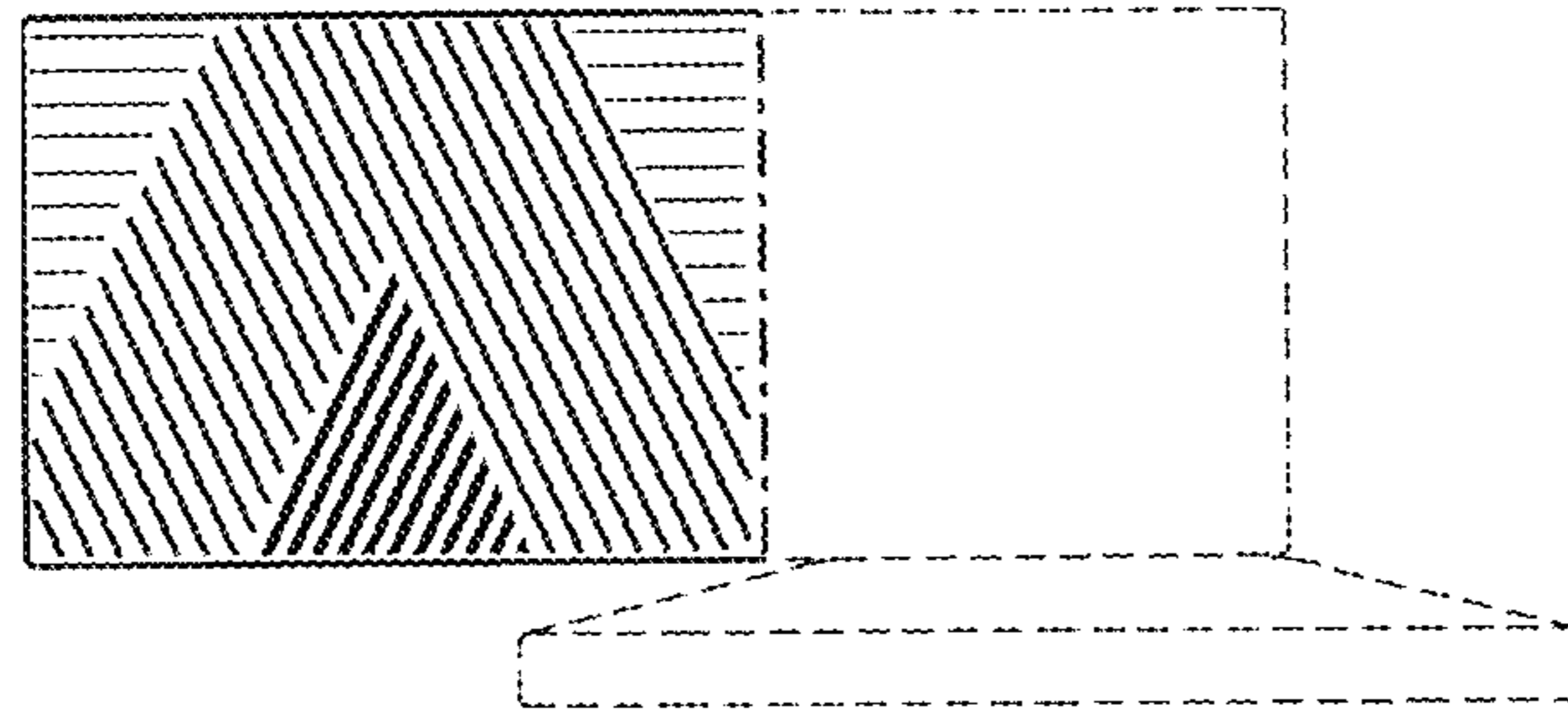


FIG. 3

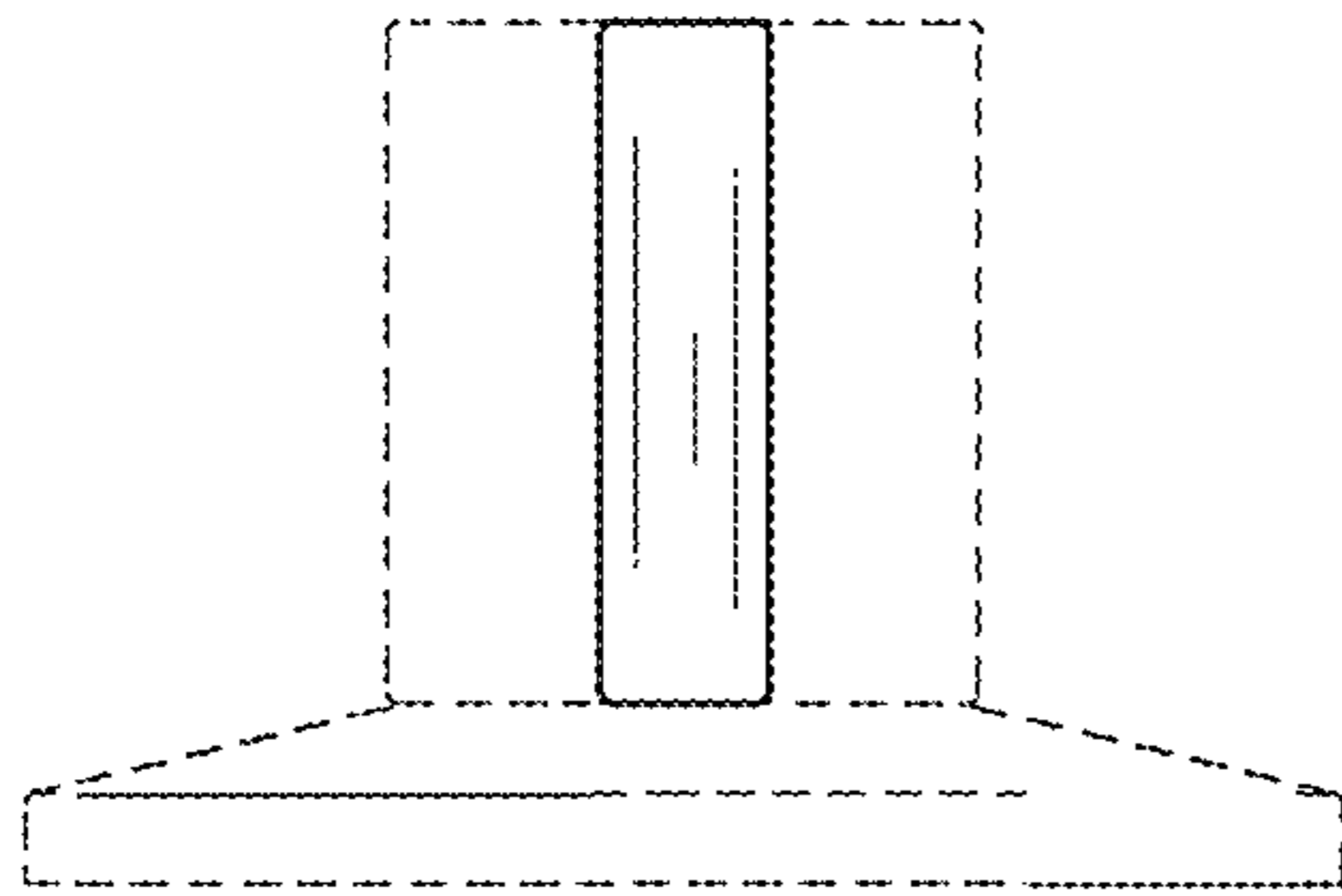


FIG. 4

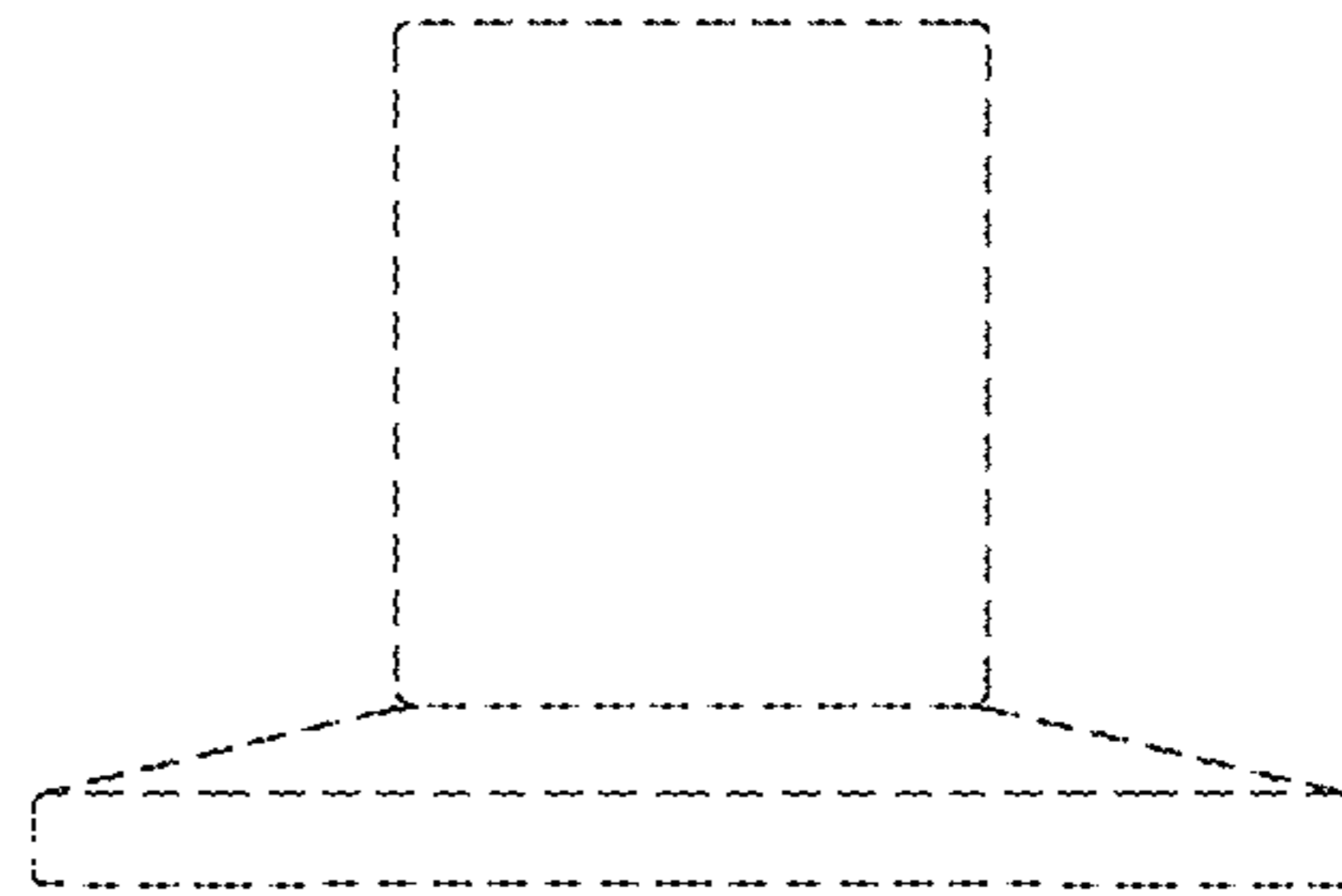


FIG. 5

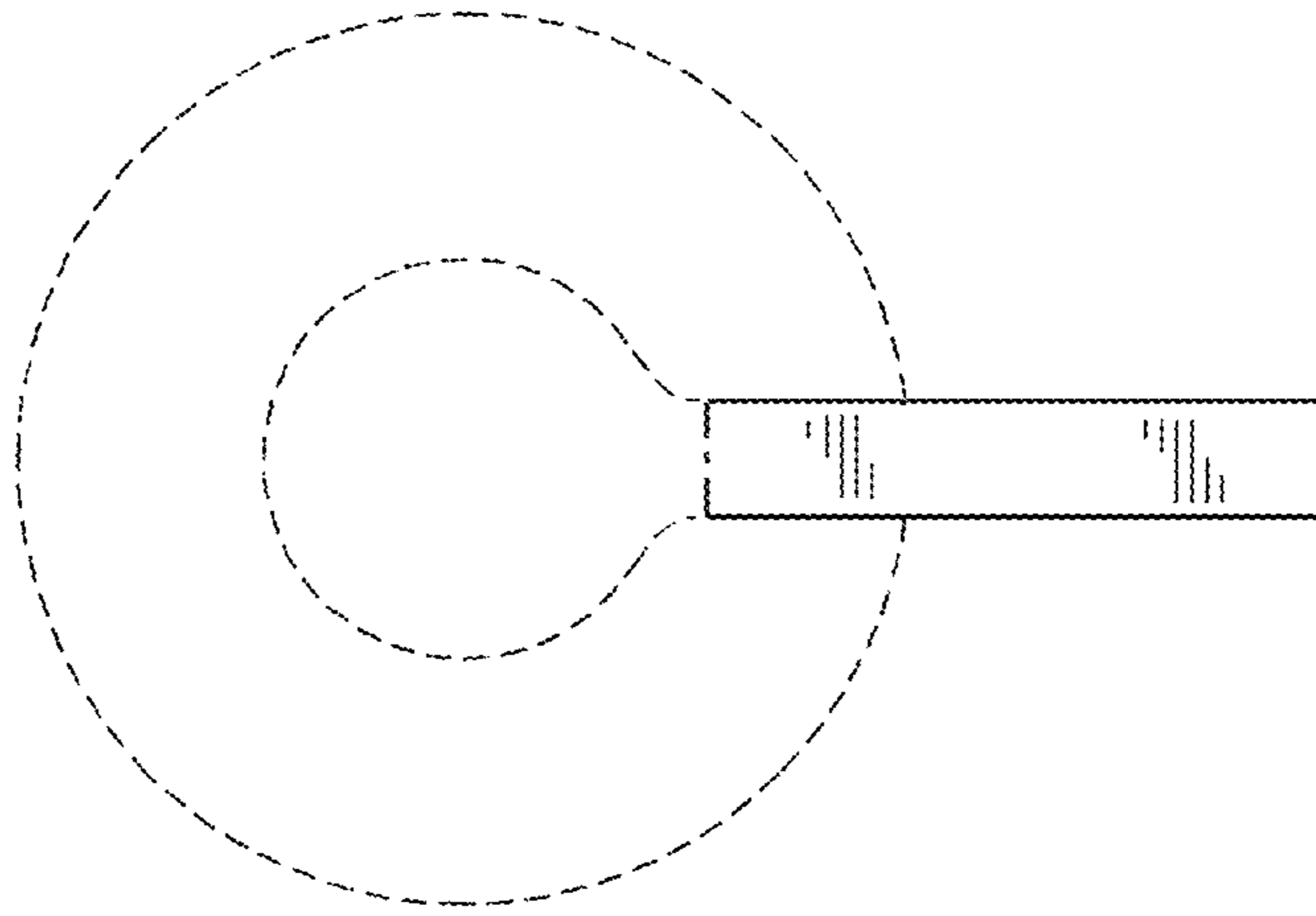


FIG. 6

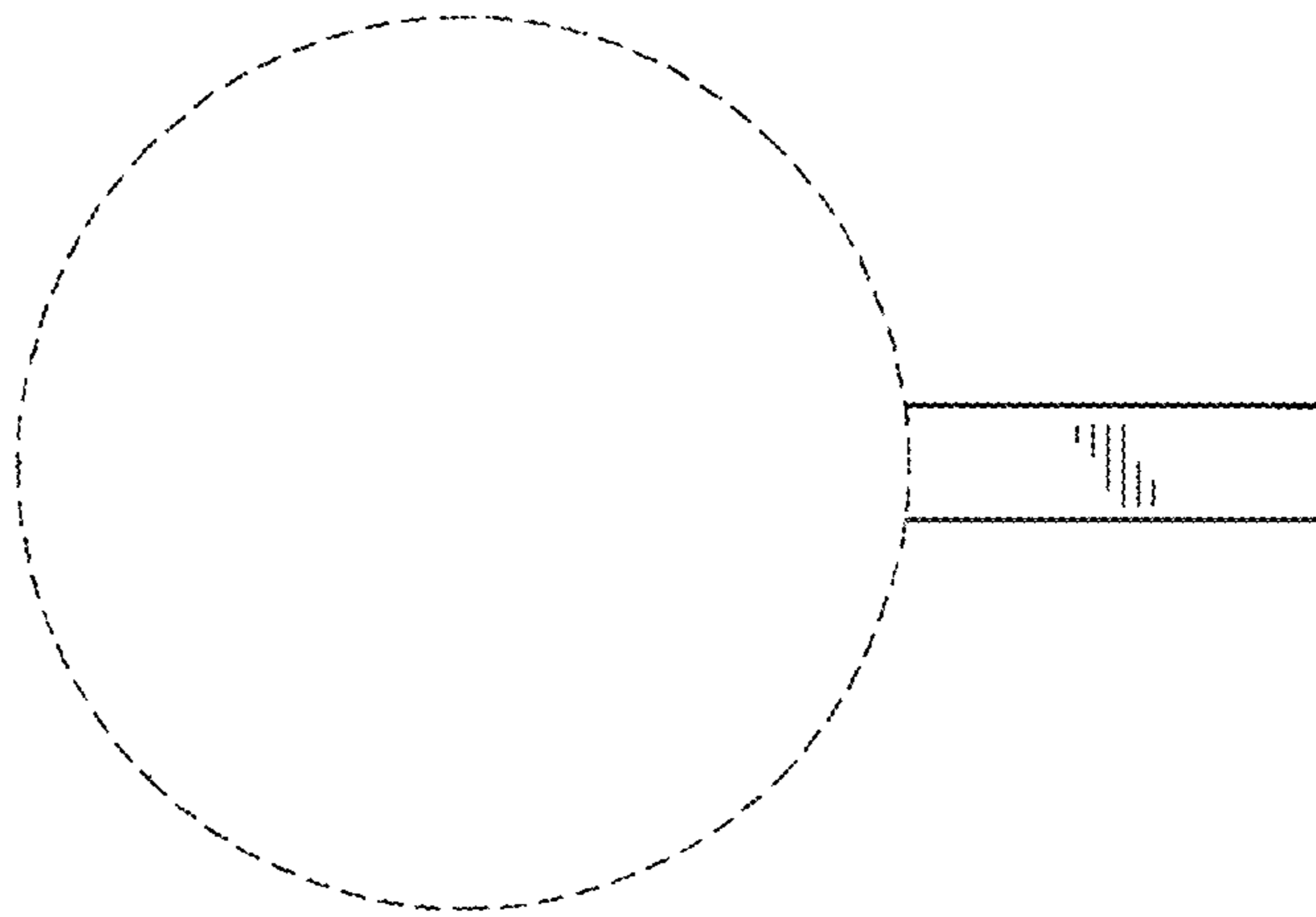


FIG. 7