

US00D865914S

(12) **United States Design Patent** (10) **Patent No.:** **US D865,914 S**
Snyder (45) **Date of Patent:** **** Nov. 5, 2019**

(54) **CONTROL PANEL**

FOREIGN PATENT DOCUMENTS

(71) Applicant: **Dometic Sweden AB**, Solna (SE)

AU 201811509 4/2018
AU 201811512 4/2018

(72) Inventor: **Nathan A. Snyder**, Big Prairie, OH (US)

OTHER PUBLICATIONS

(73) Assignee: **Dometic Sweden AB**, Solna (SE)

Design U.S. Appl. No. 29/594,930, filed Feb. 23, 2017 entitled "Control Panel".

(**) Term: **15 Years**

(Continued)

(21) Appl. No.: **29/618,004**

Primary Examiner — Robert A Delehanty

(22) Filed: **Sep. 18, 2017**

(74) *Attorney, Agent, or Firm* — Middleton Reutlinger

(51) **LOC (12) Cl.** **23-01**

(52) **U.S. Cl.**

(57) **CLAIM**

USPC **D23/249**; D8/353

The ornamental design for a control panel, as shown and described.

(58) **Field of Classification Search**

DESCRIPTION

USPC D23/254, 249, 304, 309; D8/353;
D13/162, 177; D10/49-50

CPC .. H02G 3/081; H01R 13/6658; E03C 1/0408;
H01H 23/04; H02B 1/46

See application file for complete search history.

FIG. 1 is a perspective view of a first embodiment of a control panel design;

(56) **References Cited**

U.S. PATENT DOCUMENTS

D118,613 S *	1/1940	Blazey	D13/177
D379,453 S *	5/1997	Fabrizi	D13/177
5,931,151 A	8/1999	Van Dore et al.	
D429,697 S *	8/2000	Monaco	D10/50
D461,114 S *	8/2002	Aubert Capella	D8/353
D462,253 S *	9/2002	Caveney	D8/353
D473,851 S *	4/2003	Krajci	D13/162
D511,675 S *	11/2005	Holger	D8/353
6,962,168 B2	11/2005	McDaniel et al.	
D542,627 S *	5/2007	Rohmer	D8/353
7,293,298 B2	11/2007	Cameron et al.	
D570,790 S *	6/2008	Egea Soler	D13/162
D582,797 S *	12/2008	Fraser	D10/40
D588,479 S	3/2009	Giese	
RE41,067 E *	1/2010	Capella	D8/353
D609,782 S *	2/2010	Whatley	D23/249

(Continued)

FIG. 2 is a front view of the control panel of FIG. 1;

FIG. 3 is a first side view of the control panel of FIG. 1;

FIG. 4 is a second side view of the control panel of FIG. 1;

FIG. 5 is a top view of the control panel of FIG. 1; and,

FIG. 6 is a bottom view of the control panel of FIG. 1;

FIG. 7 is a perspective view of a second embodiment of a control panel design;

FIG. 8 is a front view of the control panel of FIG. 7;

FIG. 9 is a first side view of the control panel of FIG. 7;

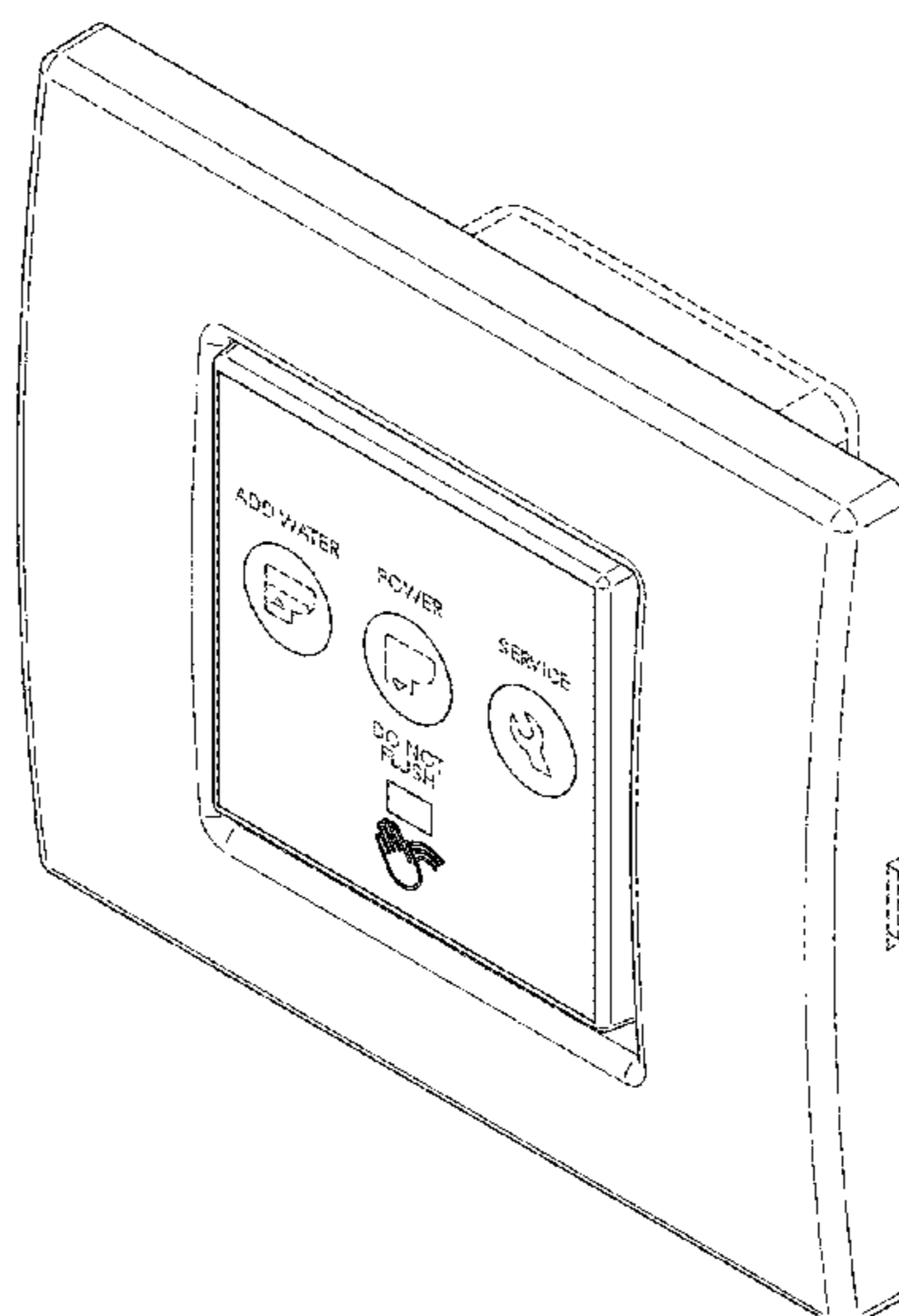
FIG. 10 is a second side view of the toilet lid and seat design of FIG. 7;

FIG. 11 is a top view of the toilet lid and seat design of FIG. 7; and,

FIG. 12 is a bottom view of the toilet lid and seat design of FIG. 7.

The broken line disclosure represents unclaimed portions of the control panel in which the design is embodied.

1 Claim, 12 Drawing Sheets



(56)

References Cited

U.S. PATENT DOCUMENTS

D720,242 S * 12/2014 Kostelecky D10/50
 D738,355 S 9/2015 Smith et al.
 9,170,720 B2 10/2015 Plate et al.
 D756,333 S 5/2016 Smith et al.
 D757,691 S 5/2016 Smith et al.
 D761,232 S 7/2016 Smith et al.
 9,383,914 B2 7/2016 Clements
 D766,217 S 9/2016 Smith et al.
 9,477,317 B1 10/2016 Clements
 D772,085 S * 11/2016 Howe D10/50
 9,529,943 B2 12/2016 Beck et al.
 9,594,500 B2 3/2017 Clements
 D797,580 S * 9/2017 Read D10/49
 D810,700 S * 2/2018 Jenkins D13/162
 2006/0169938 A1 8/2006 Woo
 2008/0023090 A1 1/2008 Stegall
 2010/0083430 A1 4/2010 Chen

2011/0155934 A1 6/2011 Guler et al.
 2013/0170839 A1 7/2013 Yuan
 2015/0366418 A1 12/2015 Abdollahzadeh
 2015/0366419 A1 12/2015 Abdollahzadeh
 2016/0023217 A1 1/2016 Cornille et al.
 2017/0183853 A1 6/2017 Crist et al.
 2019/0085545 A1 3/2019 Snyder

OTHER PUBLICATIONS

Design U.S. Appl. No. 29/545,950, filed Nov. 17, 2015 entitled "Thermostat".
 U.S. Appl. No. 62/559,963, filed Sep. 18, 2017 entitled "Touch Free Toilet".
 European Design Patent Application No. 004752749 filed Mar. 13, 2018.
 Australian Patent Application No. 2018229567 entitled "Touch Free Toilet" filed Sep. 17, 2018.

* cited by examiner

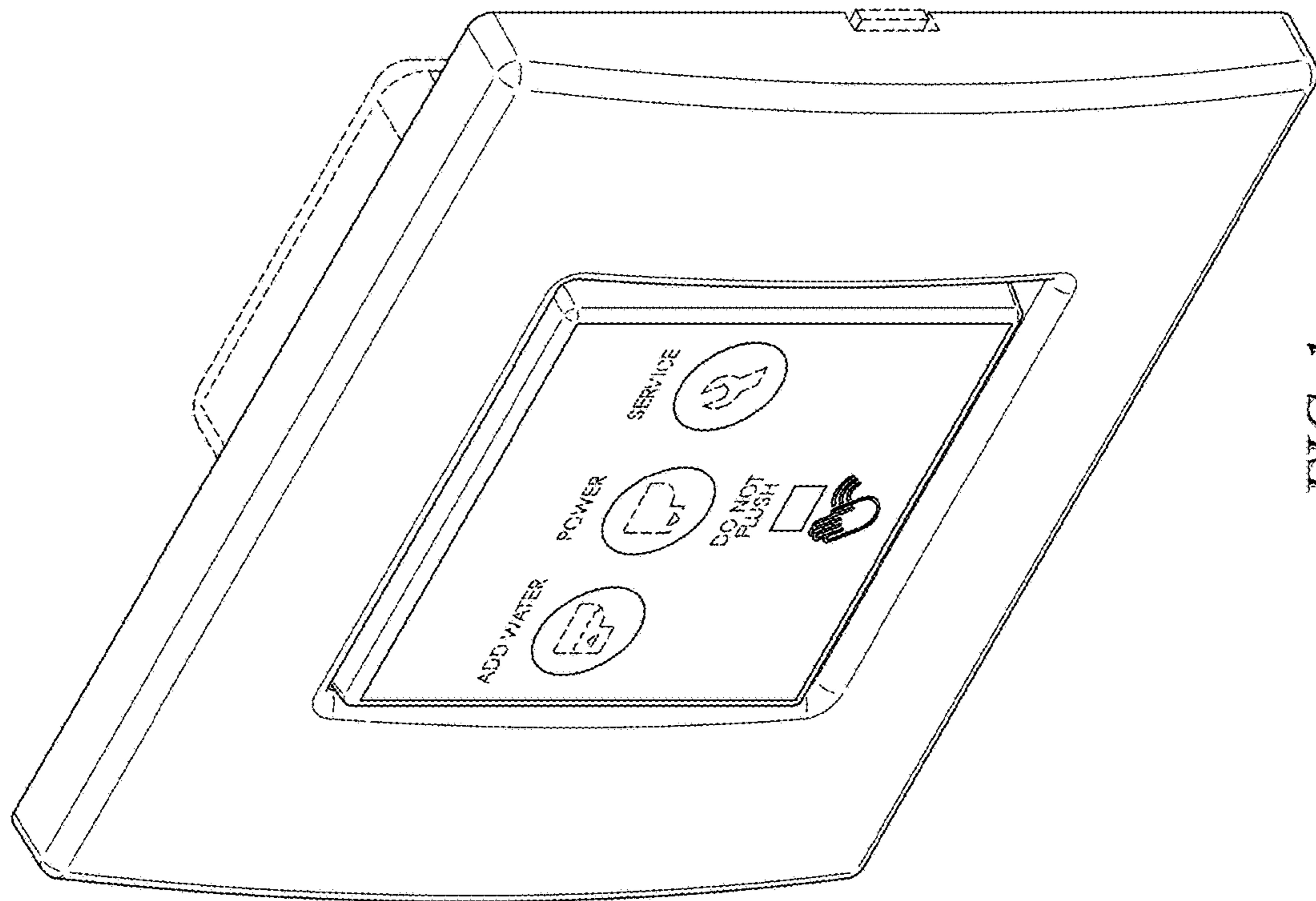


FIG. 1

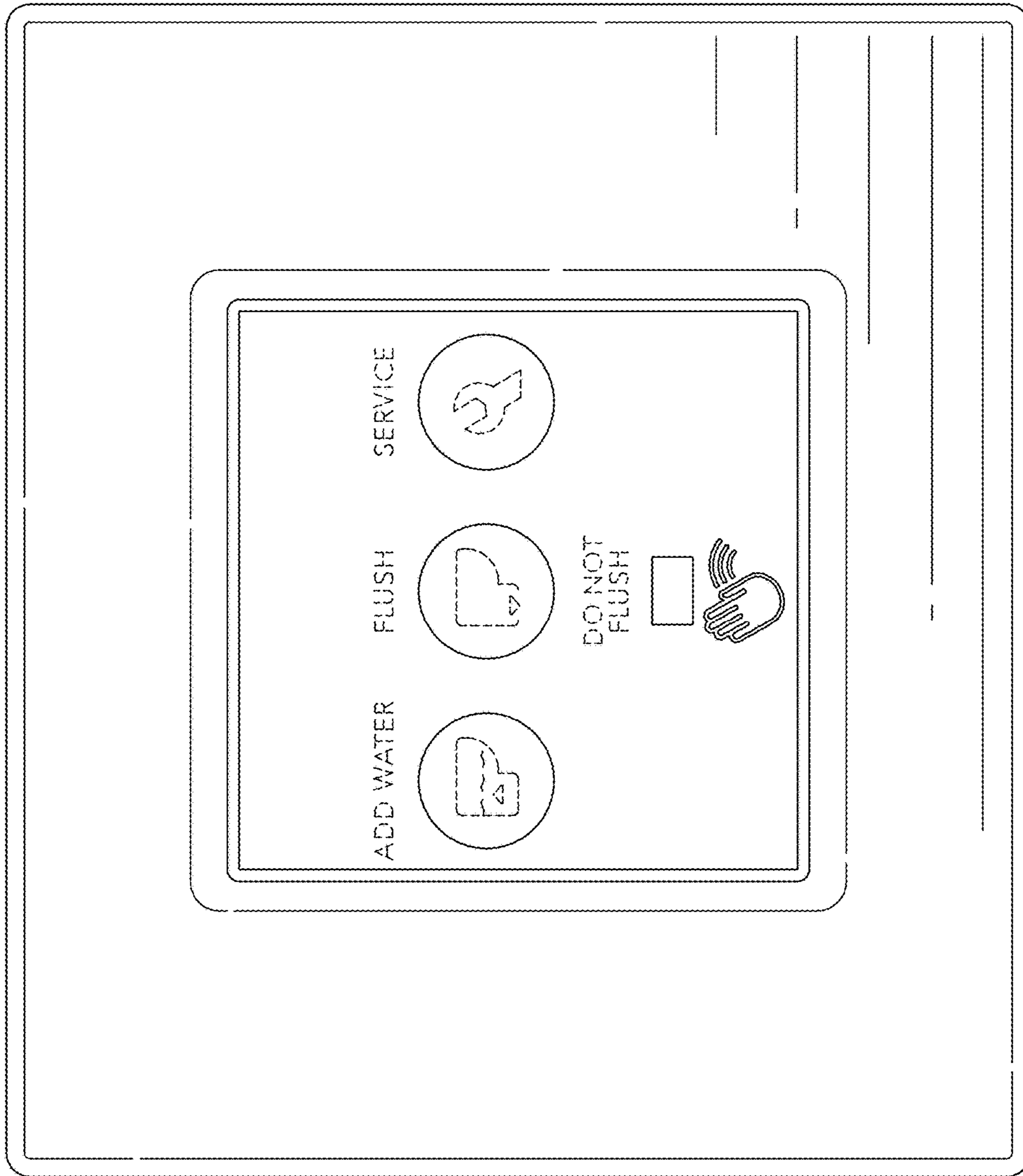


FIG. 2

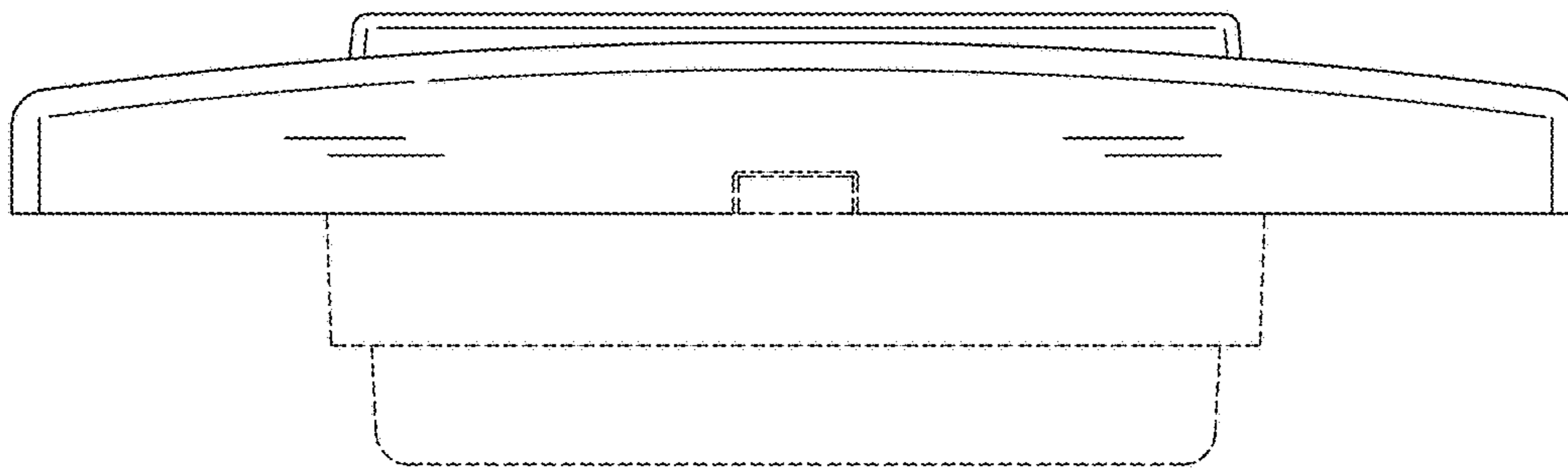


FIG. 3

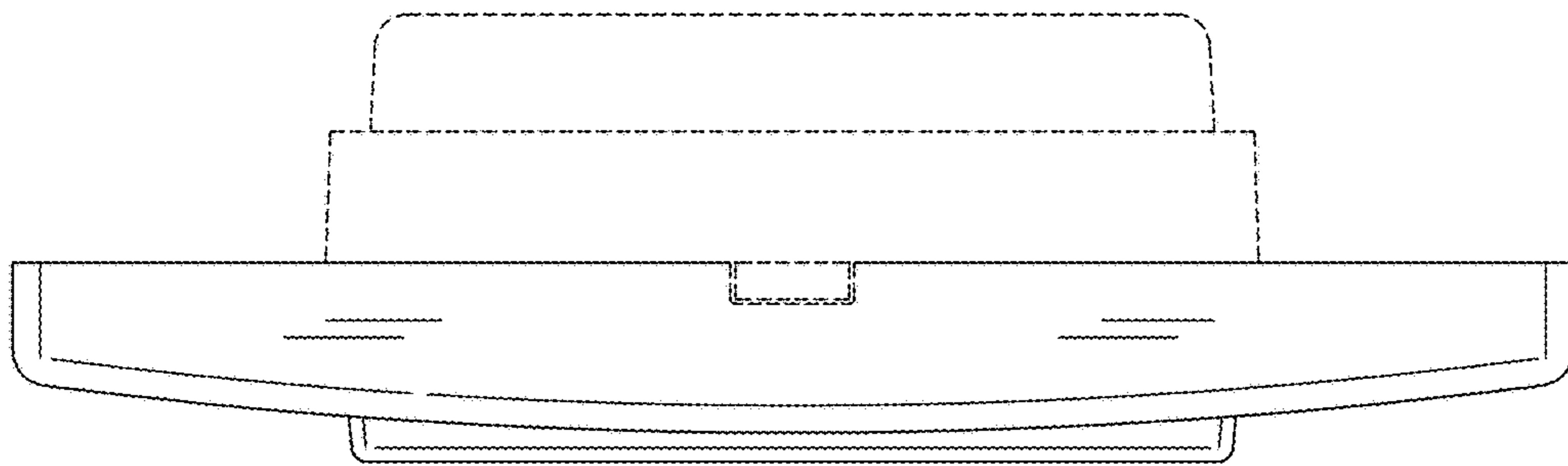


FIG. 4

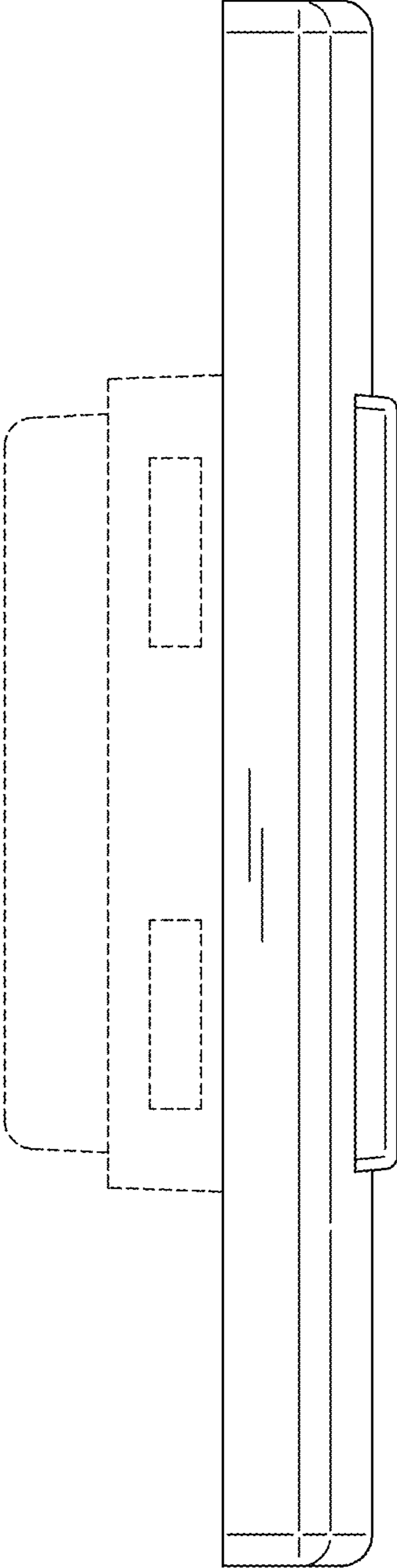


FIG. 5

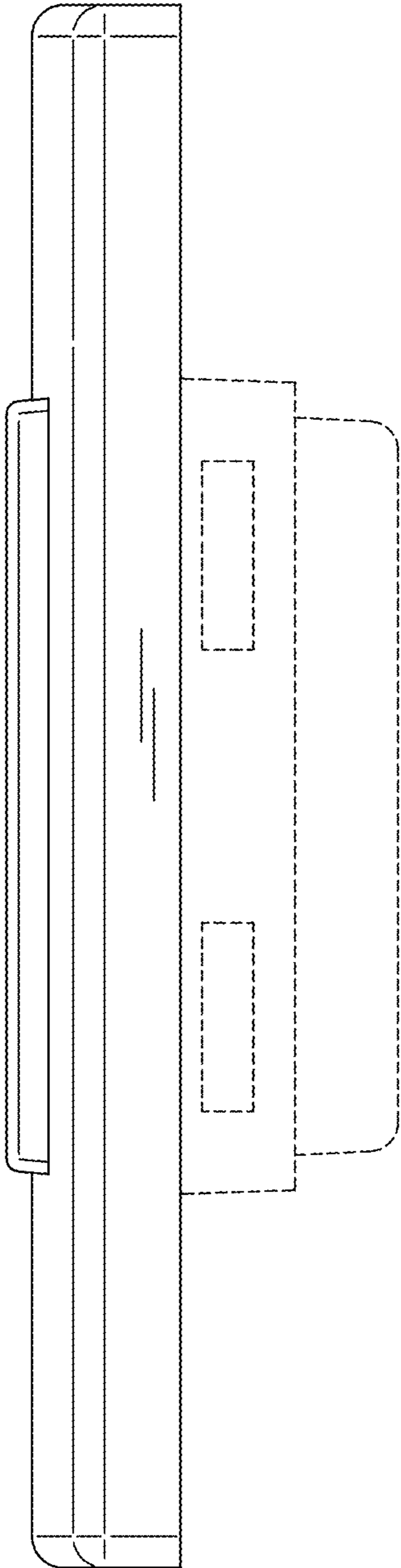


FIG. 6

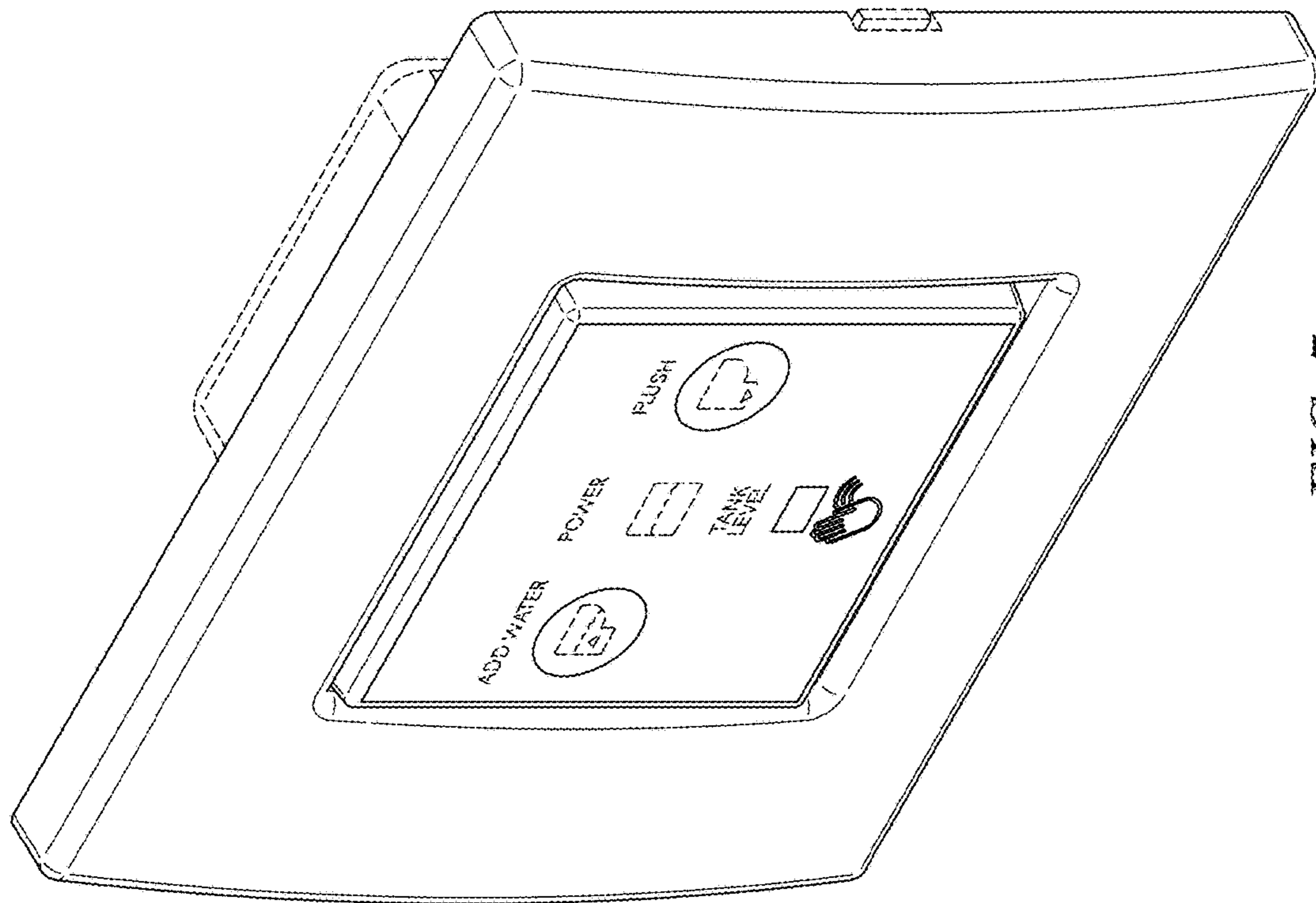


FIG. 7

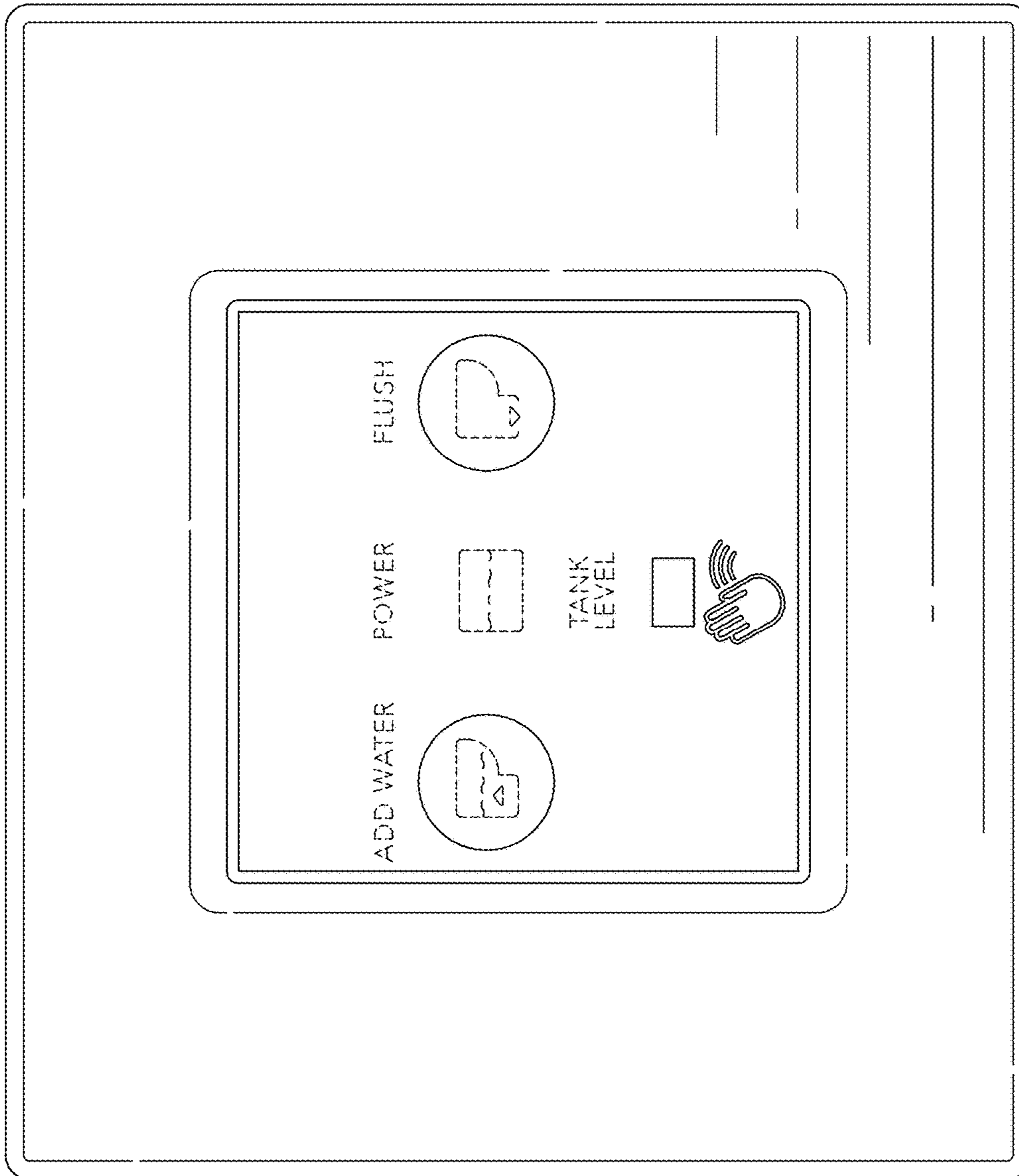


FIG. 8

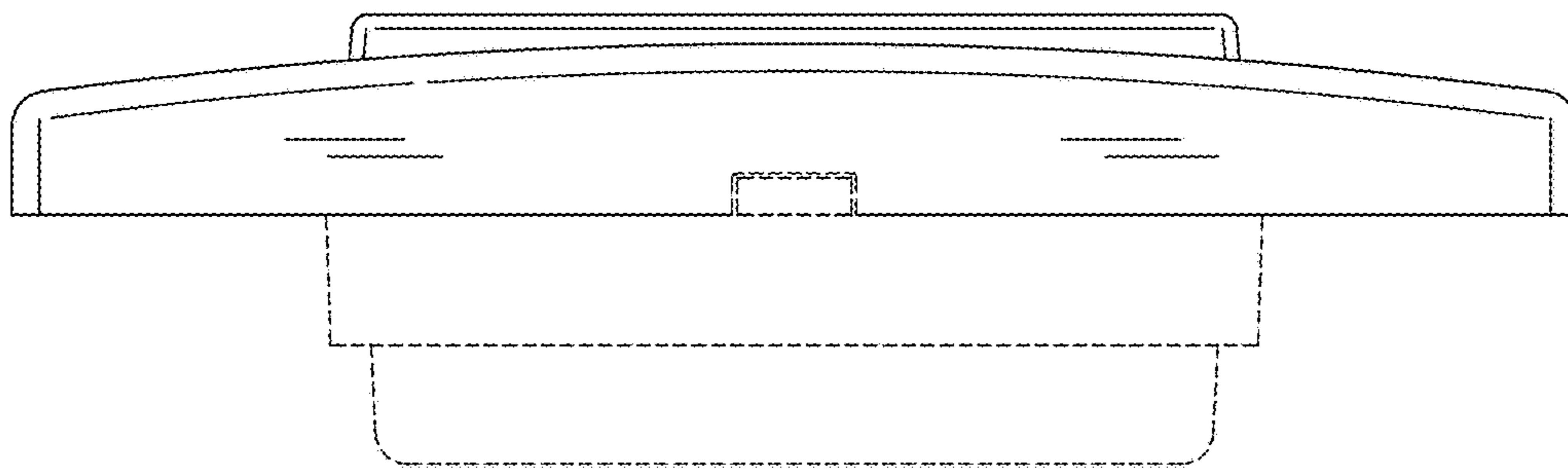


FIG. 9

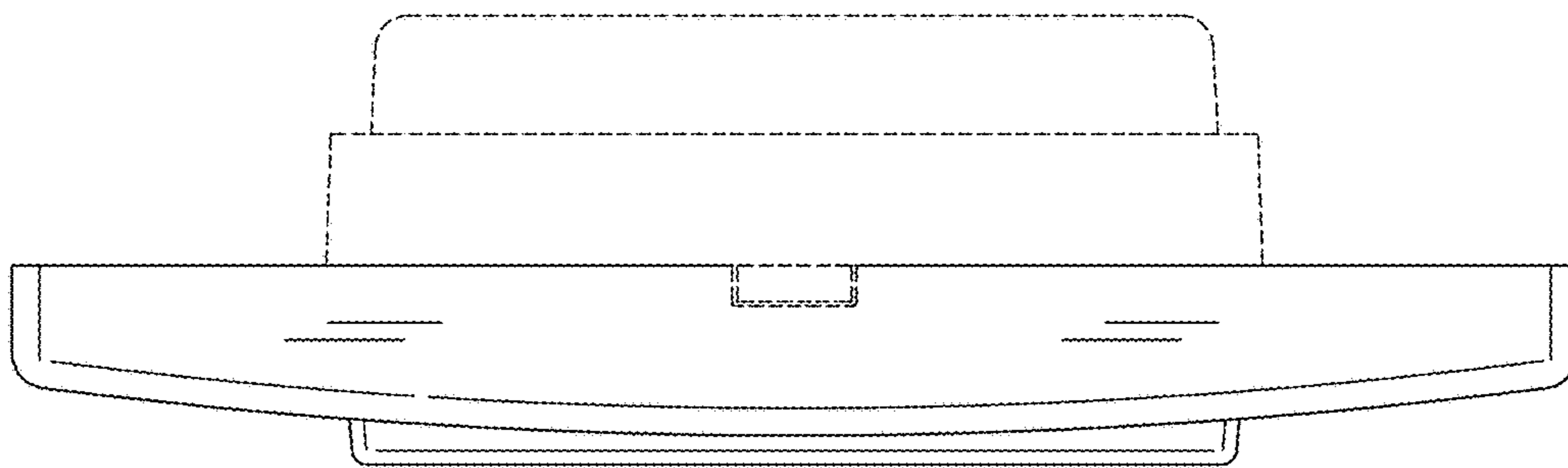


FIG. 10

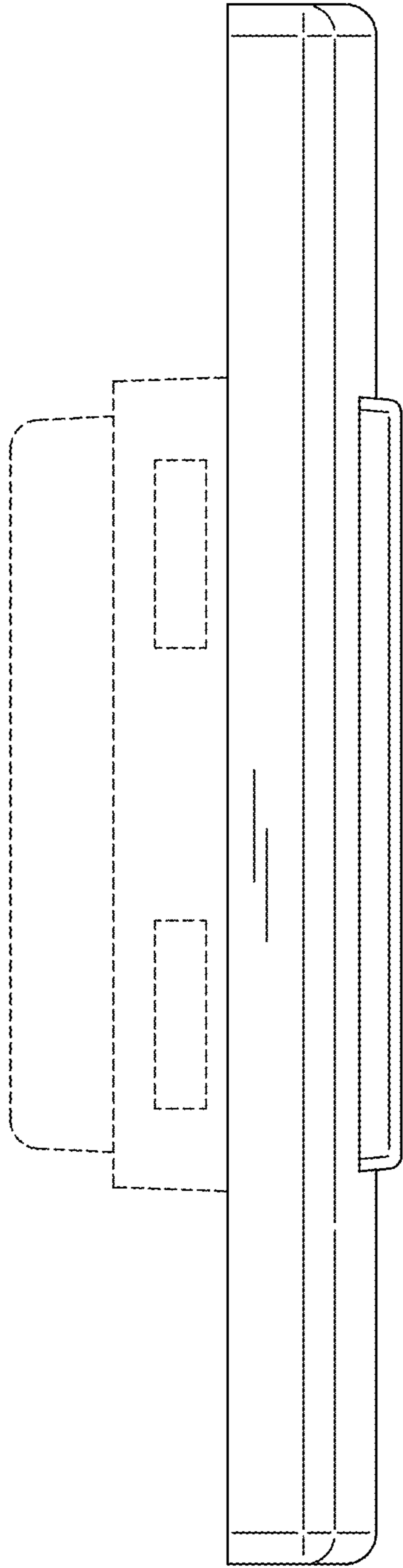


FIG. 11

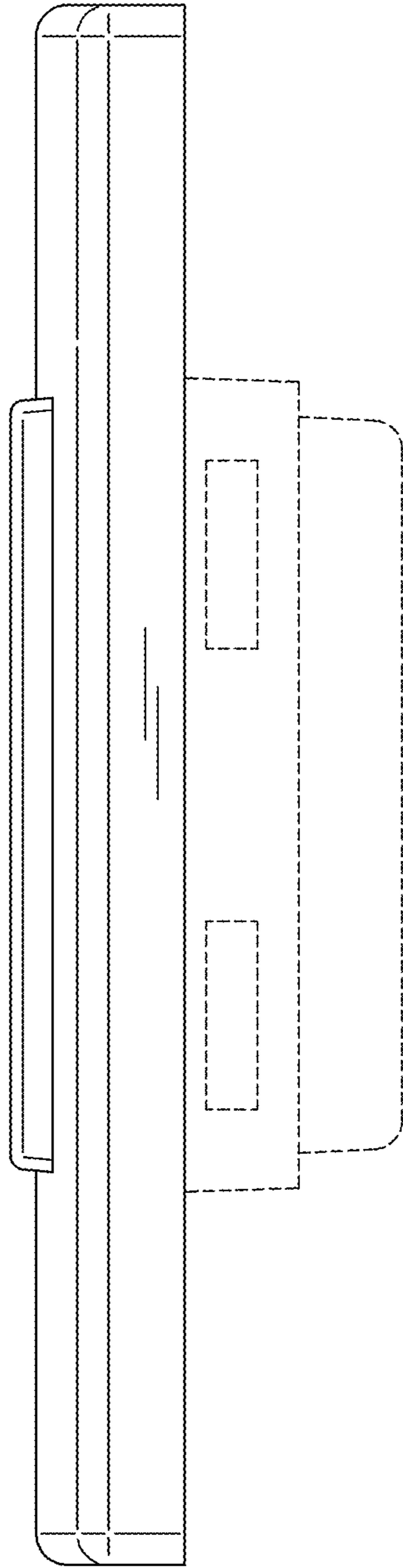


FIG. 12