



US00D865913S

(12) **United States Design Patent**
Soulier et al.

(10) **Patent No.:** **US D865,913 S**

(45) **Date of Patent:** **** Nov. 5, 2019**

(54) **FAUCET**

(71) Applicant: **Kohler Co.**, Kohler, WI (US)

(72) Inventors: **Jean-Hugues Soulier**, Paris (FR);
Ferran Serra Sola, Paris (FR); **Gaetan Wangon**, Merfy (FR)

(73) Assignee: **KOHLER CO.**, Kohler, WI (US)

(**) Term: **15 Years**

(21) Appl. No.: **29/637,178**

(22) Filed: **Feb. 14, 2018**

(51) **LOC (12) Cl.** **23-01**

(52) **U.S. Cl.**
USPC **D23/241**

(58) **Field of Classification Search**
USPC D23/249–250, 252–254, 238–243;
D8/307–308, 305, 311–312; D9/681,
D9/556, 569; D14/440; D5/56, 2, 58, 60
CPC Y10T 137/9464; Y10T 137/6014; Y10T
137/6017
See application file for complete search history.

(56) **References Cited**

U.S. PATENT DOCUMENTS

D65,415 S *	8/1924	Marple	D8/308
D325,771 S *	4/1992	Di Maggio	D23/238
D339,629 S *	9/1993	Gottwald	D23/241
D353,187 S	12/1994	Formgren		
D353,651 S	12/1994	Formgren		
D419,643 S *	1/2000	Gottwald	D23/238
D457,941 S *	5/2002	Lobermeier	D23/241
D475,270 S *	6/2003	Loyd	D8/312
D491,633 S *	6/2004	Ouyoung	D23/238
D493,211 S *	7/2004	Fraser	D23/241
D514,200 S *	1/2006	Starck	D23/238
D555,771 S	11/2007	Noth		

D560,758 S *	1/2008	Heck	D23/238
D590,921 S	4/2009	Soulier		
D596,718 S	7/2009	Soulier		
D652,898 S *	1/2012	Flowers	D23/252

(Continued)

Primary Examiner — Robert A Delehanty

(74) *Attorney, Agent, or Firm* — Foley & Lardner LLP

(57) **CLAIM**

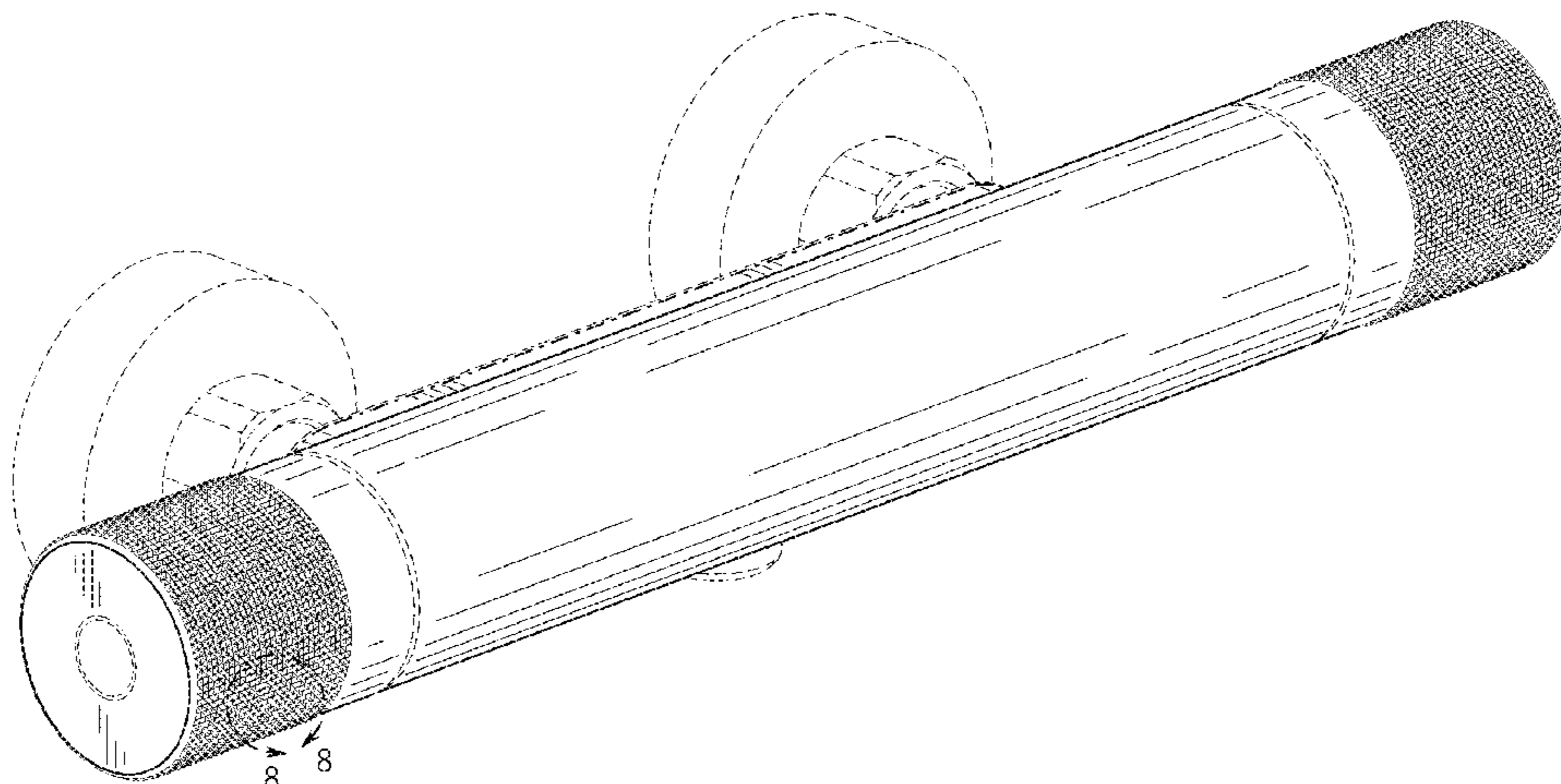
We claim the ornamental design for a faucet, as shown and described.

DESCRIPTION

FIG. 1 is a perspective view of an embodiment of the claimed design;
FIG. 2 is a front view of the embodiment of FIG. 1;
FIG. 3 is a rear view of the embodiment of FIG. 1;
FIG. 4 is a side view of the embodiment of FIG. 1;
FIG. 5 is another side view of the embodiment of FIG. 1;
FIG. 6 is a top view of the embodiment of FIG. 1;
FIG. 7 is a bottom view of the embodiment of FIG. 1;
FIG. 8 is a partial detail view of the embodiment of FIG. 1;
FIG. 9 is a perspective view of another embodiment of the claimed design;
FIG. 10 is a front view of the embodiment of FIG. 9;
FIG. 11 is a rear view of the embodiment of FIG. 9;
FIG. 12 is a side view of the embodiment of FIG. 9;
FIG. 13 is another side view of the embodiment of FIG. 9;
FIG. 14 is a top view of the embodiment of FIG. 9;
FIG. 15 is a bottom view of the embodiment of FIG. 9; and,
FIG. 16 is a partial detail view of the embodiment of FIG. 9.

The ornamental design which is claimed is shown in solid lines in the drawings. The broken lines in the drawings are for illustrative purposes only and form no part of the claimed design. Broken lines formed of unequal length dashes (i.e., dash-dot) define bounds of the claimed design.

1 Claim, 12 Drawing Sheets



(56)

References Cited

U.S. PATENT DOCUMENTS

D683,824	S	*	6/2013	Eilmus	D23/238
D696,750	S	*	12/2013	Standefer	D23/242
D697,590	S	*	1/2014	Standefer	D23/242
D717,918	S	*	11/2014	Standefer	D23/252
D794,884	S	*	8/2017	Ayers	D32/28
D813,986	S		3/2018	Schoenherr	
D829,527	S	*	10/2018	Kang	D8/311
D834,394	S	*	11/2018	Kang	D8/311
10,233,617	B1		3/2019	He	
D846,701	S		4/2019	Liu	
D846,702	S	*	4/2019	Liu	D23/238

* cited by examiner

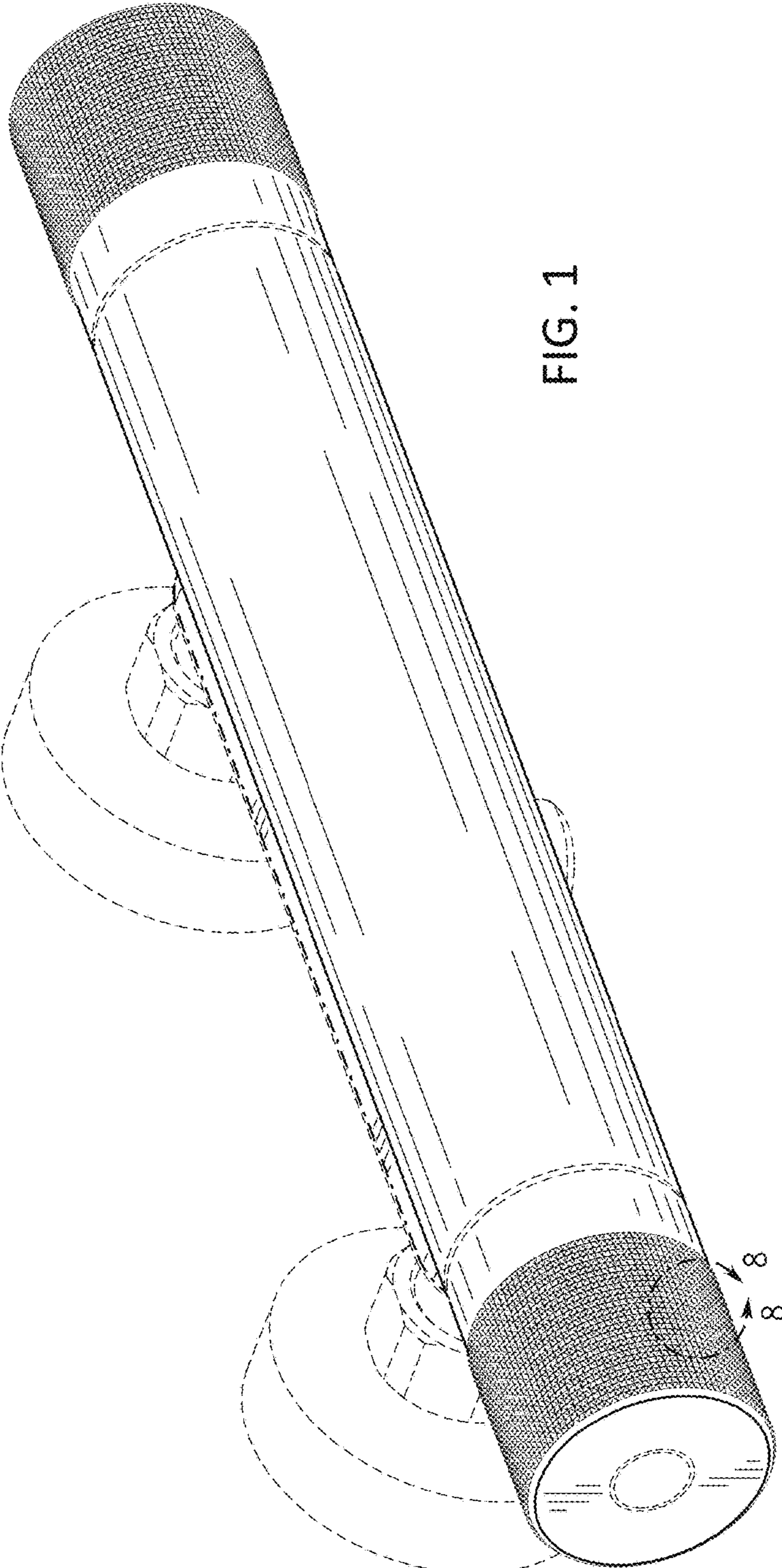
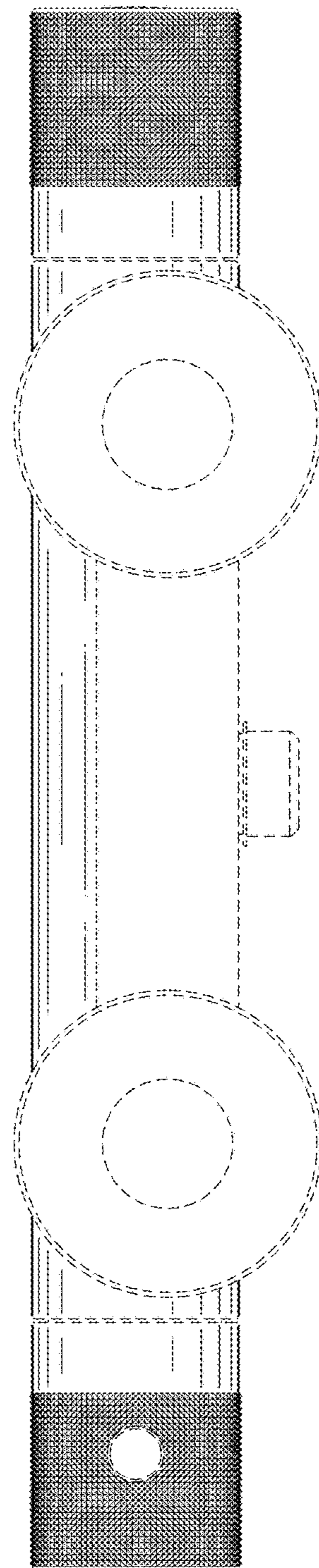
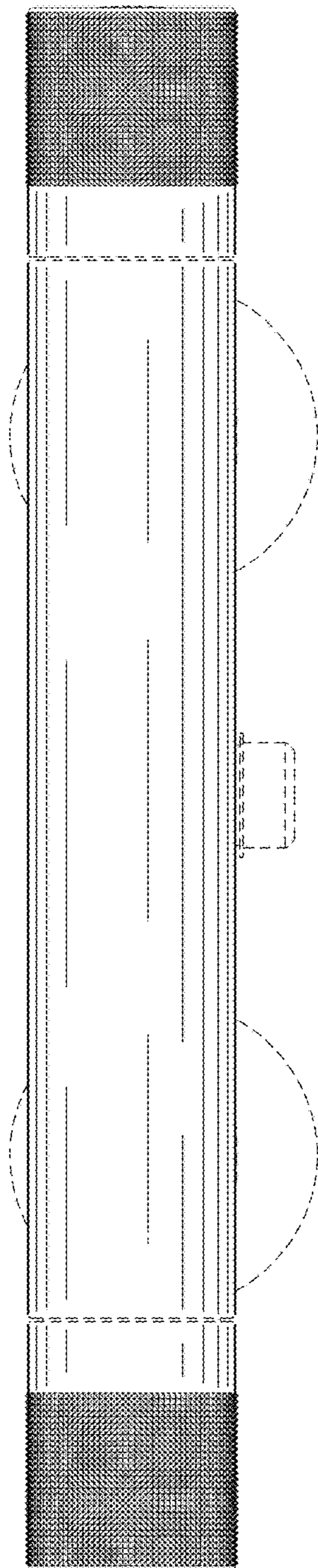


FIG. 1



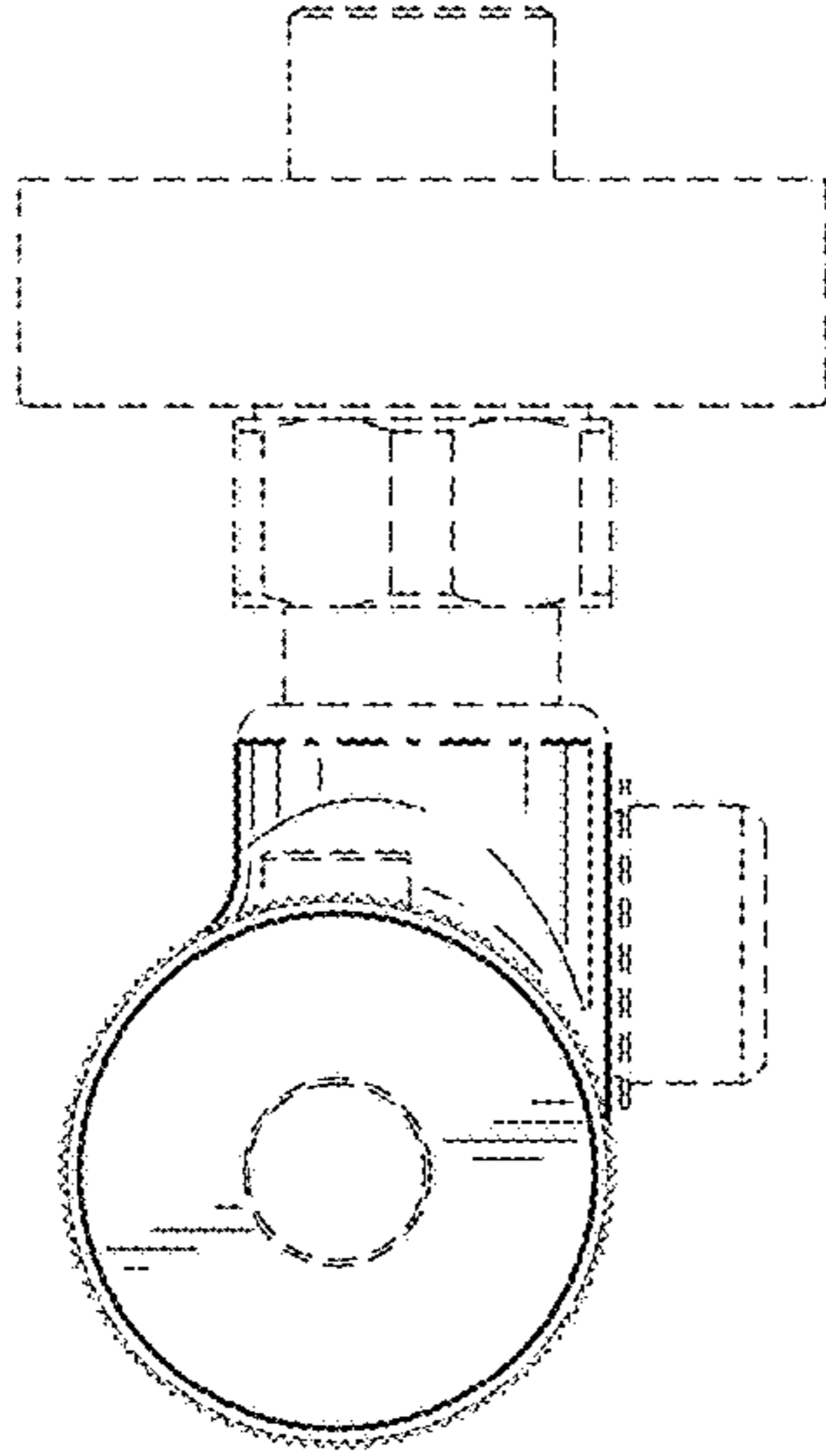


FIG. 5

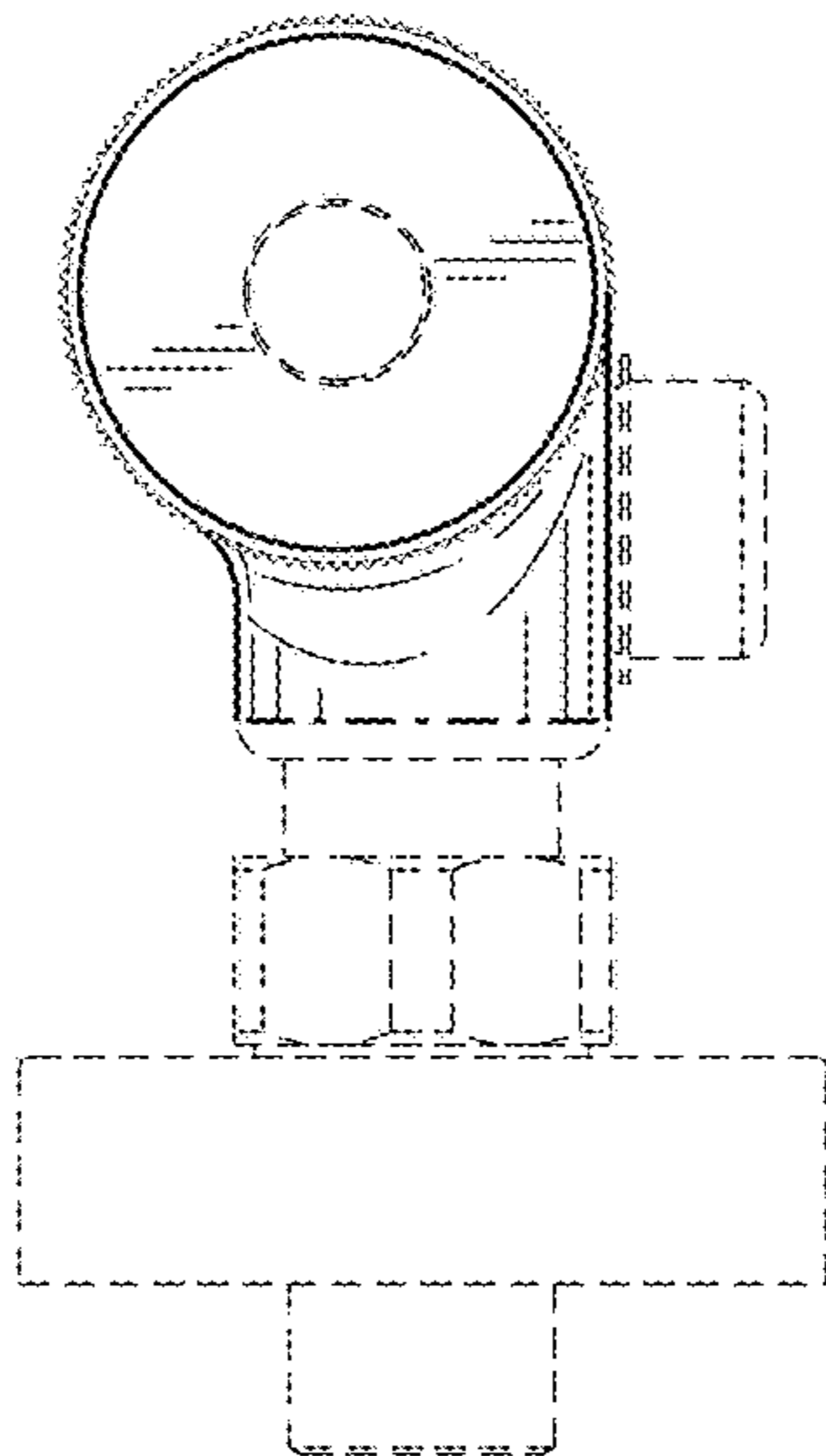


FIG. 4

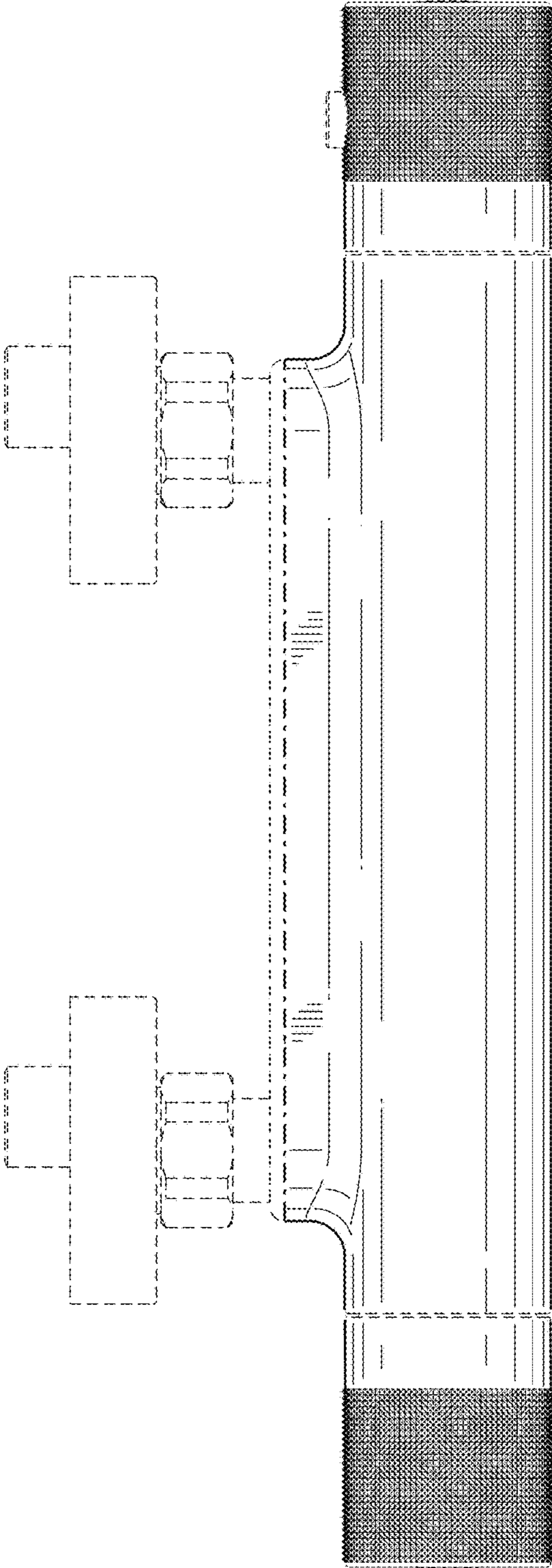


FIG. 6

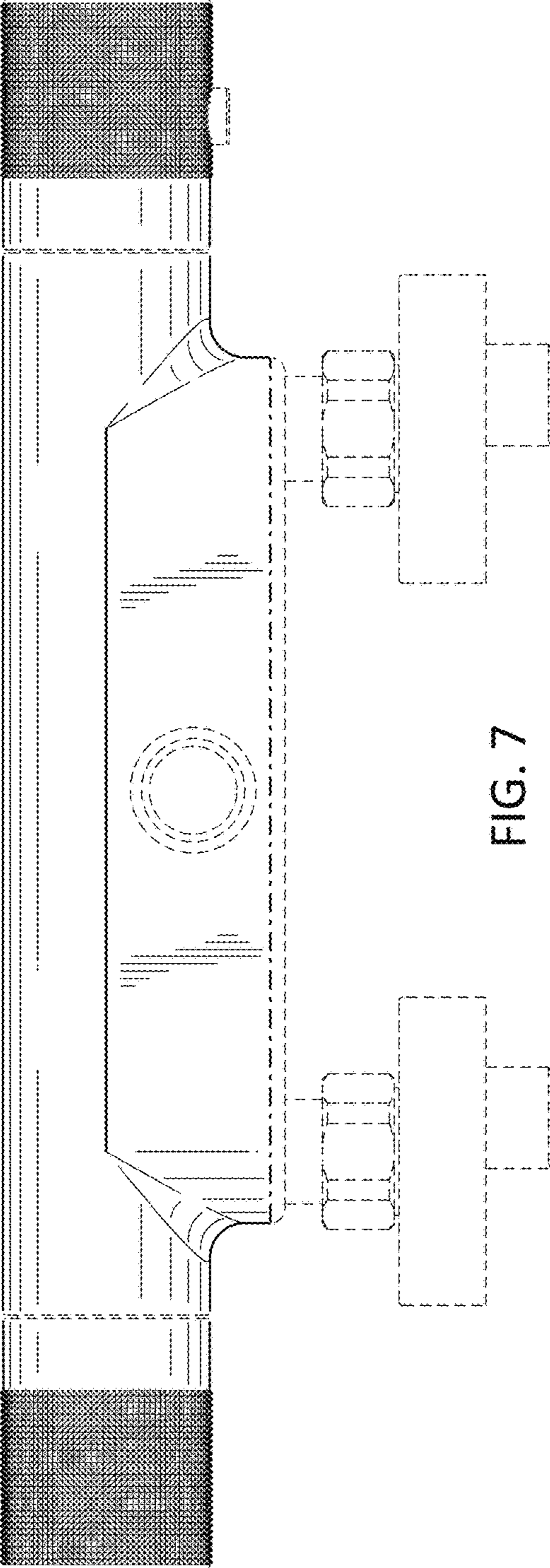


FIG. 7

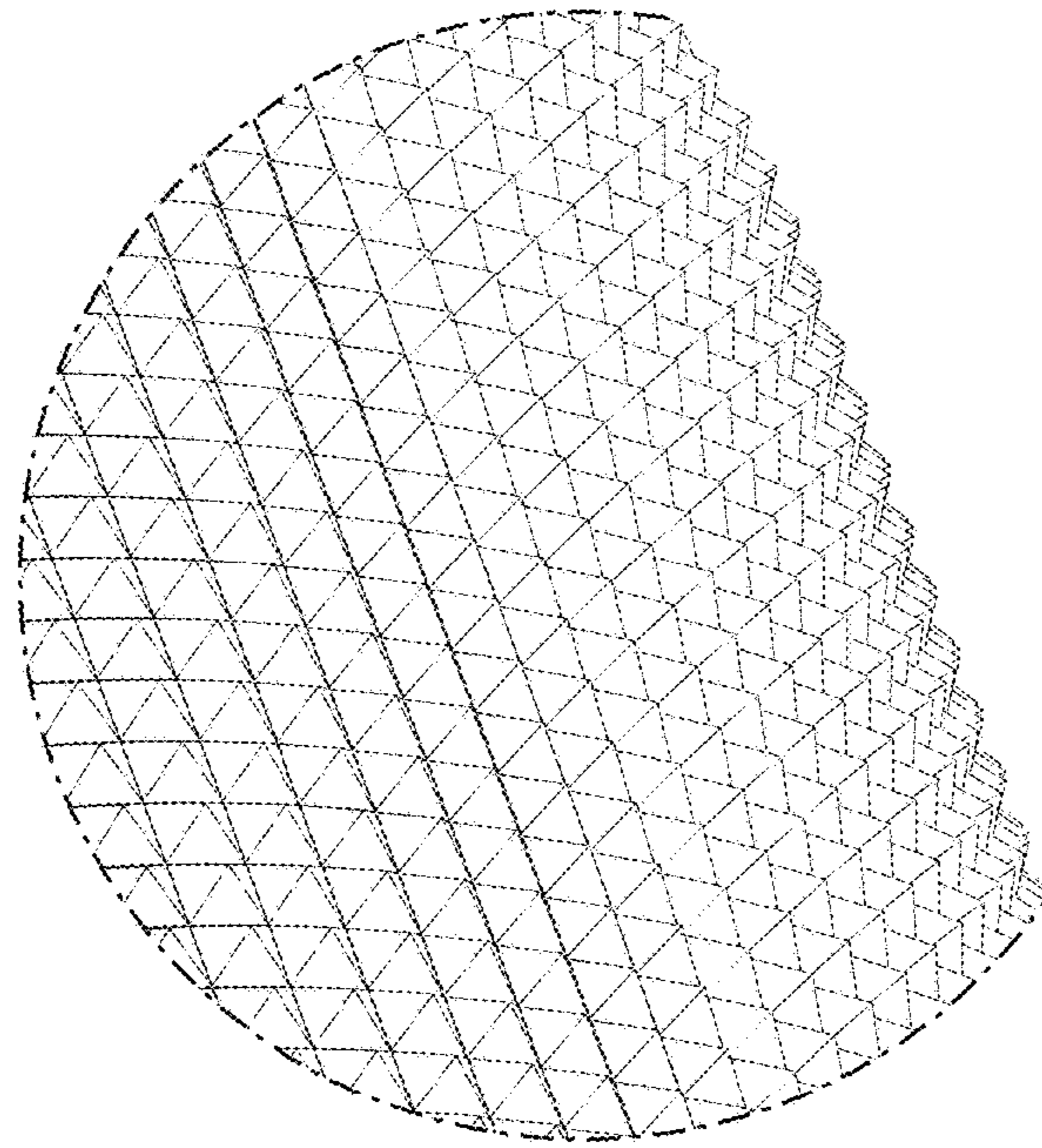


FIG. 8

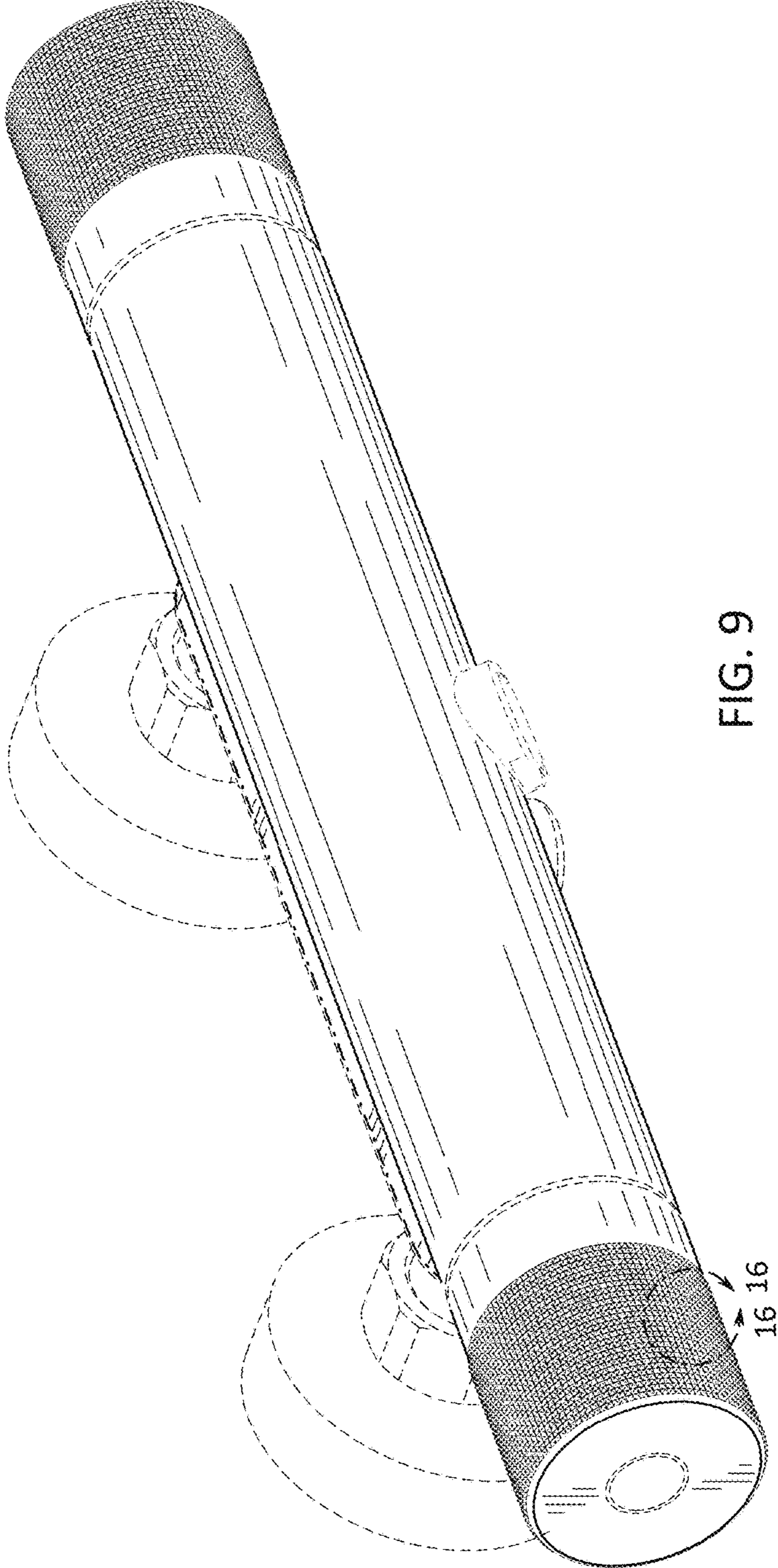


FIG. 9

16 16

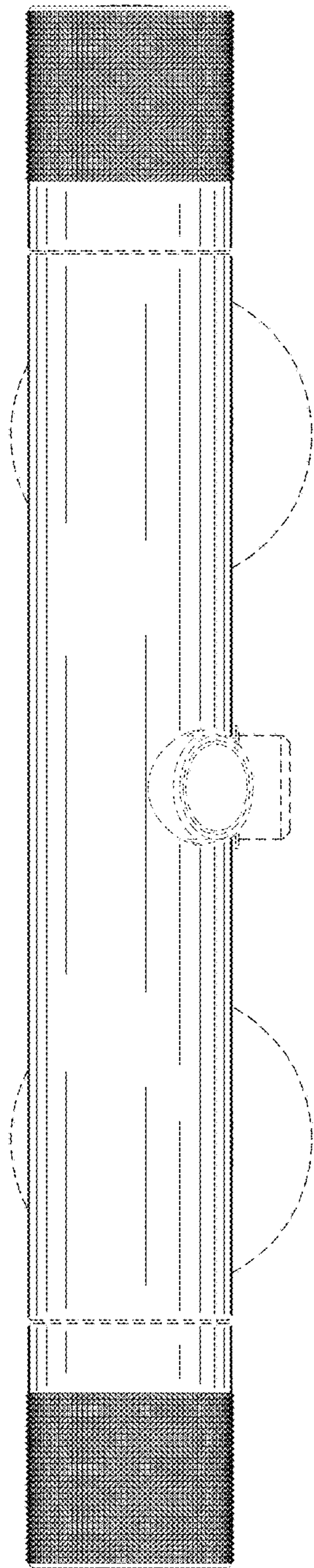


FIG. 10

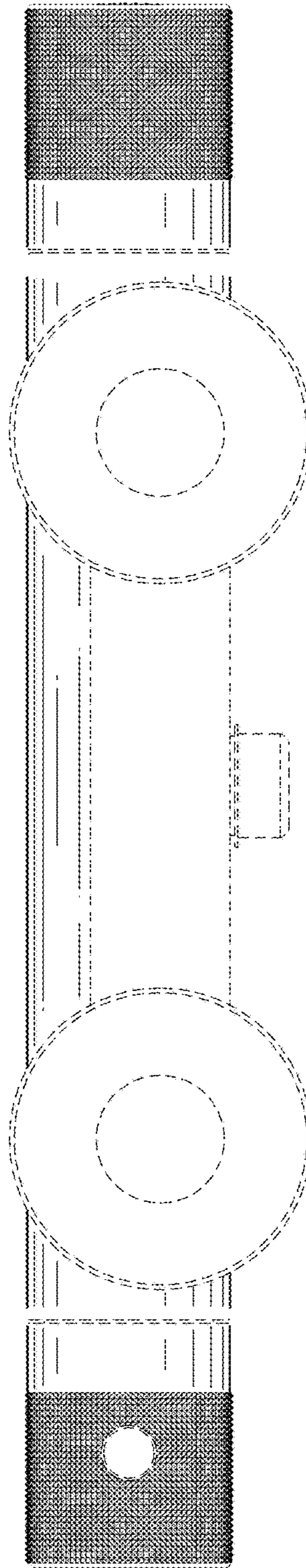


FIG. 11

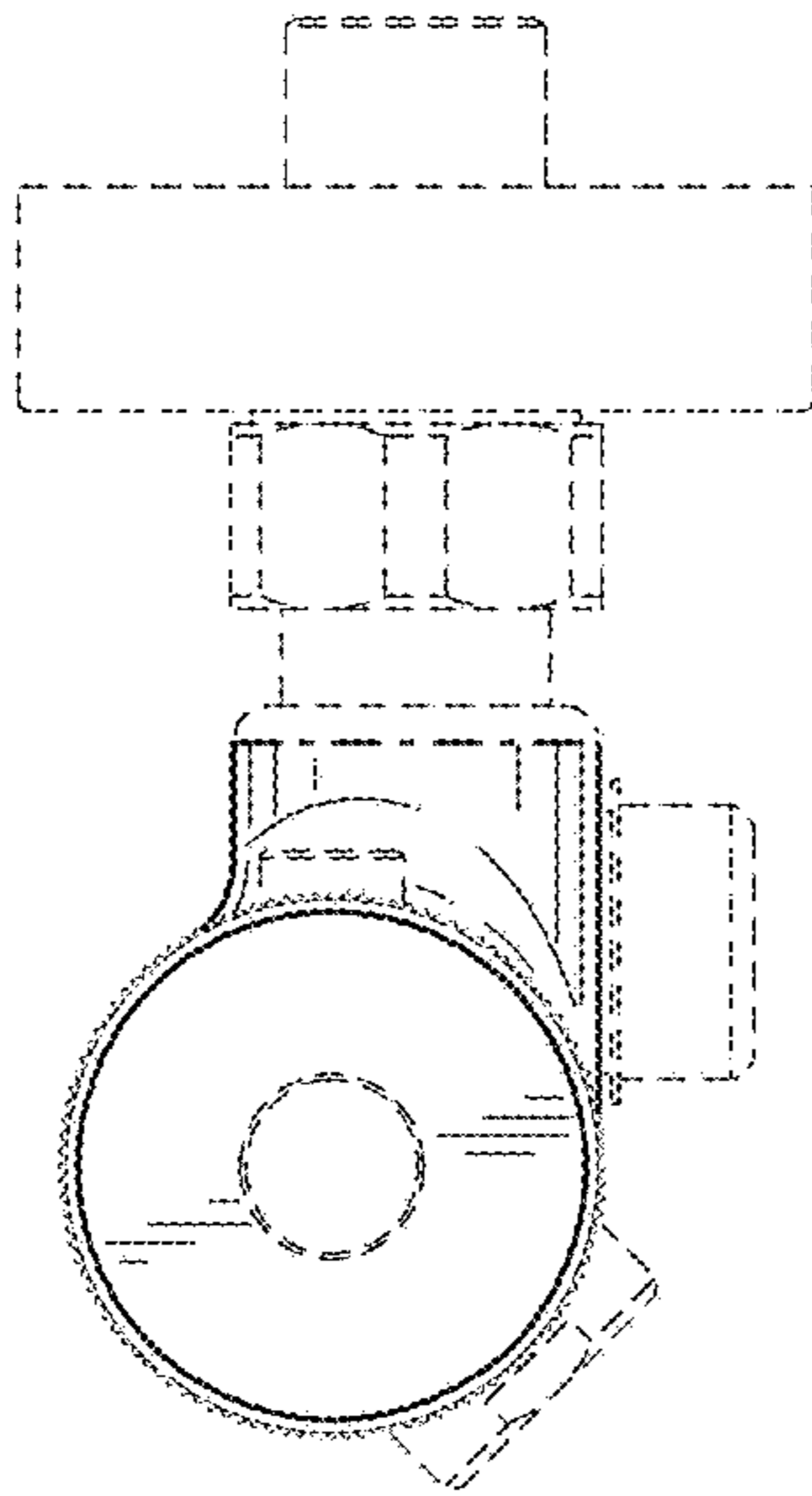


FIG. 12

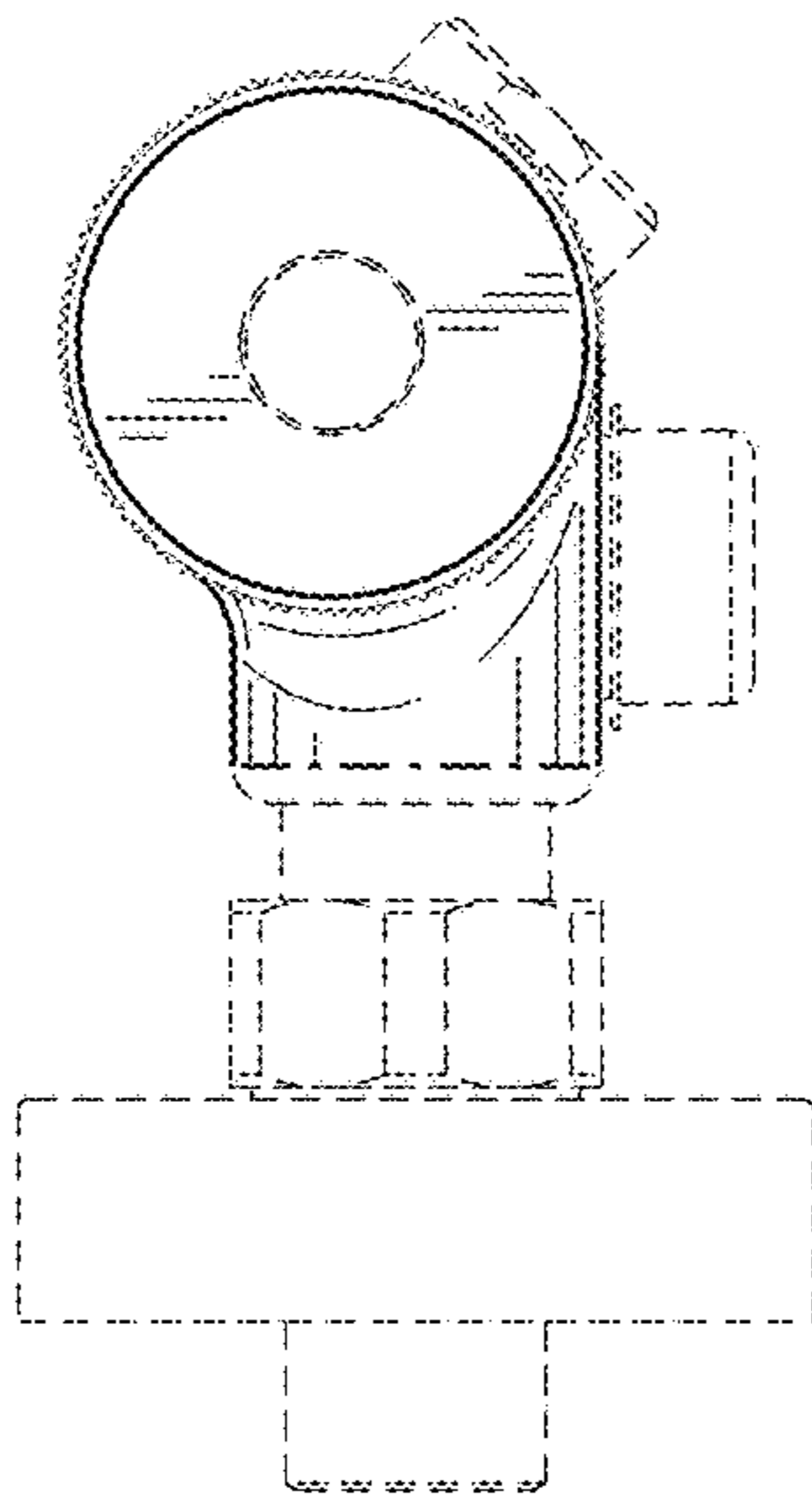


FIG. 13

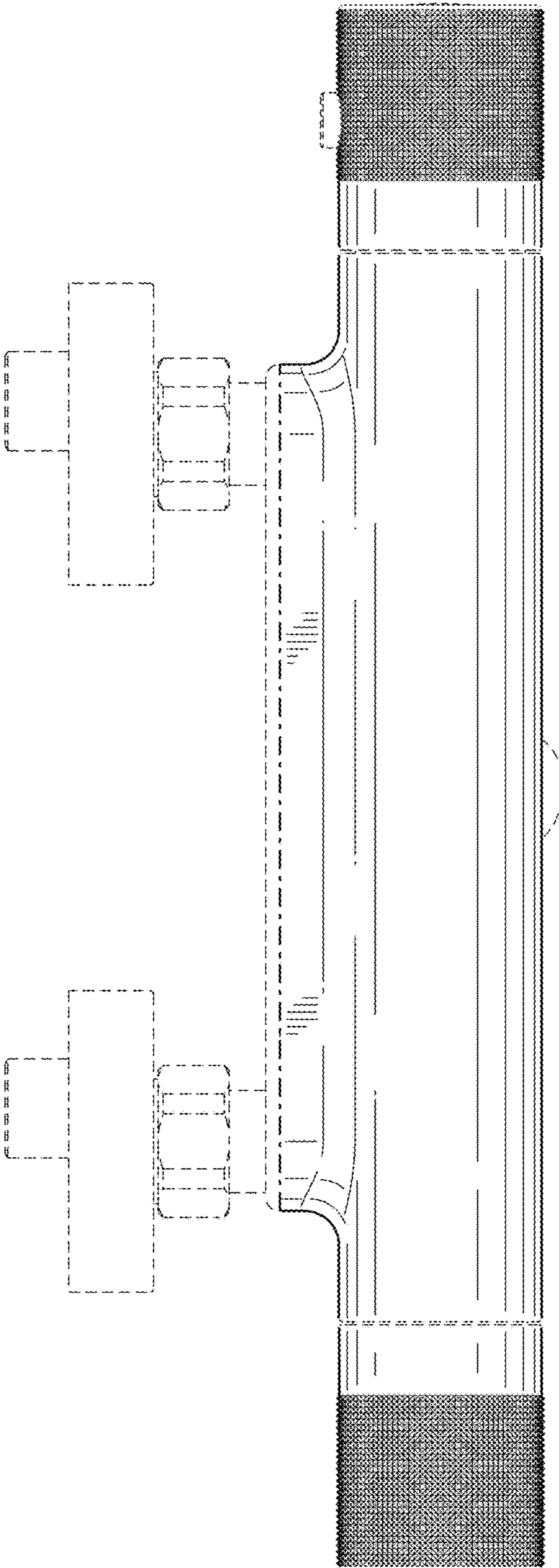


FIG. 14

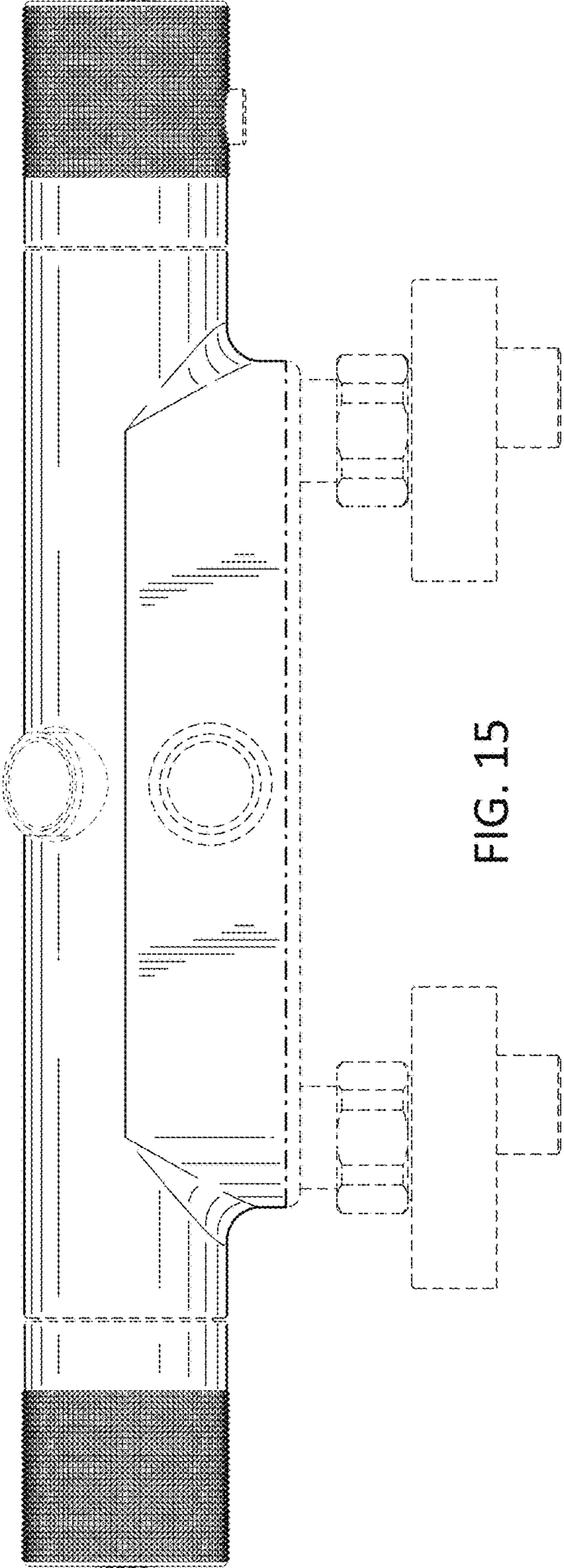


FIG. 15

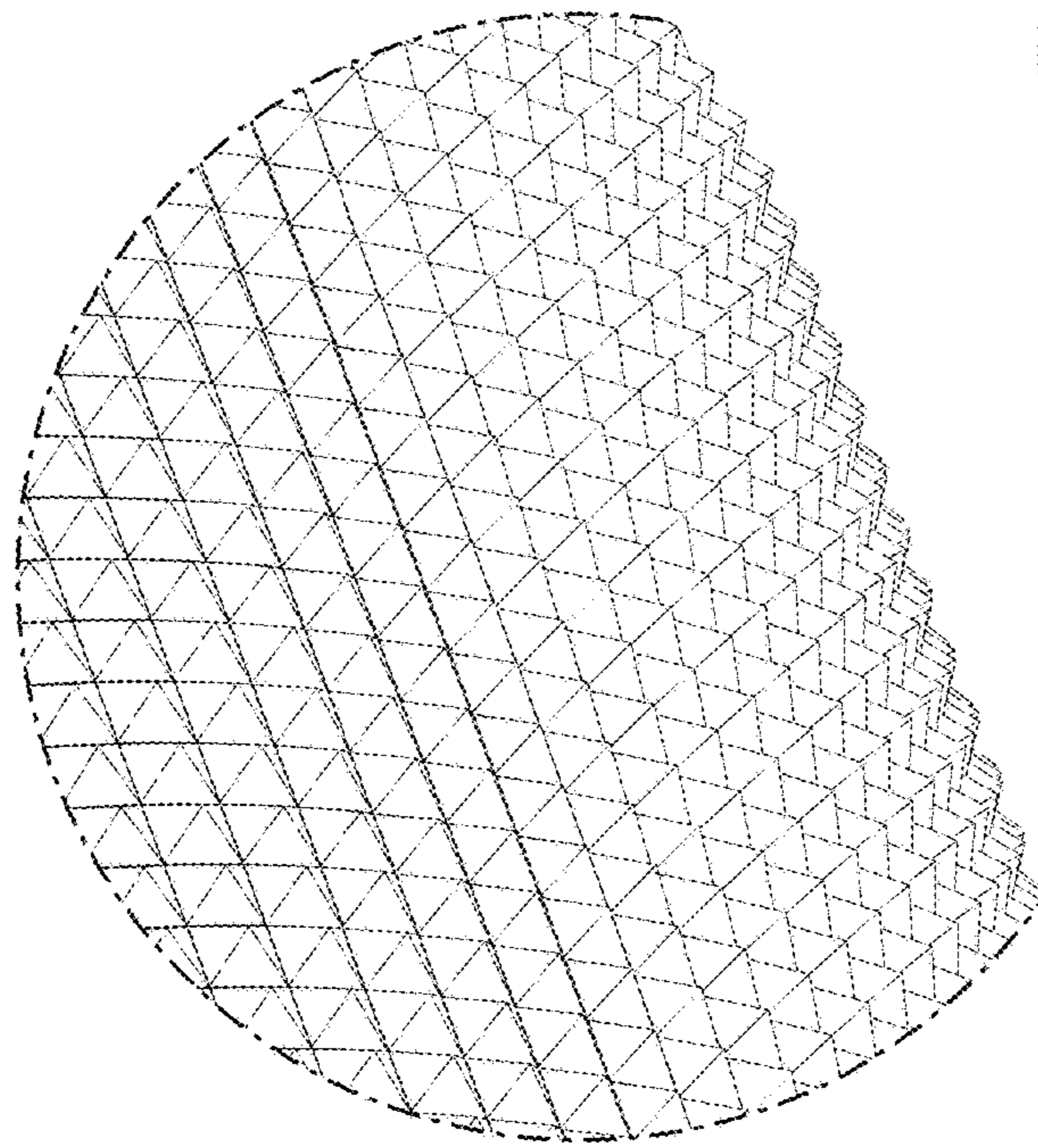


FIG. 16