



US00D865912S

(12) **United States Design Patent** (10) **Patent No.:** **US D865,912 S**
Wieser et al. (45) **Date of Patent:** **** Nov. 5, 2019**

(54) **LAVATORY FIXTURE WITH INTEGRATED FAUCET, SOAP DISPENSER, AND HAND DRYER**

D315,398 S * 3/1991 Strignano D23/241
D528,637 S * 9/2006 Massaud D23/238
D529,133 S * 9/2006 Massaud D23/238

(Continued)

(71) Applicant: **Bradley Fixtures Corporation**,
Menomonee Falls, WI (US)

OTHER PUBLICATIONS

(72) Inventors: **Matthias Wieser**, Wendlingen (DE);
Pablo Bernal Ruesta, Stuttgart (DE);
Alexander Hoffart, Bindlach (DE);
Andreas Dimitriadis, Lorch (DE)

Bradley Washbar reference [Apr. 8, 2019] found online [Apr. 8, 2019]—https://www.bradleycorp.com/washbar?gclid=EAlalQobChMIxMHG11bB4QIVgkCGCh3LzQY9EAAAYASAAE-gKFzPD_BwE.*

(73) Assignee: **Bradley Fixtures Corporation**,
Menomonee Falls, WI (US)

Primary Examiner — Lakiya G Rogers
Assistant Examiner — John A Voytek

(**) Term: **15 Years**

(74) *Attorney, Agent, or Firm* — Boyle Fredrickson, S.C.

(21) Appl. No.: **29/608,028**

(57) **CLAIM**

(22) Filed: **Jun. 19, 2017**

The ornamental design for a lavatory fixture with integrated faucet, soap dispenser, and hand dryer, substantially, as shown and described.

DESCRIPTION

Related U.S. Application Data

(62) Division of application No. 29/562,620, filed on Apr. 27, 2016, now abandoned.

(51) **LOC (12) Cl.** **23-01**

(52) **U.S. Cl.**
USPC **D23/239**

(58) **Field of Classification Search**
USPC D23/238–239, 284–292, 293.1, 303, 308;
D9/425; D8/1; D11/155, 156; D3/304
CPC A47K 1/04; A47B 77/06; A47J 47/20
See application file for complete search history.

FIG. 1 is a raised perspective view of a first embodiment of a lavatory fixture with a faucet, soap dispenser, and hand dryer all-in-one;

FIG. 2 is a top view of the lavatory fixture of the first embodiment as shown in FIG. 1;

FIG. 3 is a front view of the lavatory fixture of the first embodiment as shown in FIG. 1;

FIG. 4 is a side view of the lavatory fixture of the first embodiment as shown in FIG. 1;

FIG. 5 is a raised perspective view of a second embodiment of a lavatory fixture with a faucet, soap dispenser, and hand dryer;

FIG. 6 is a top view of the lavatory fixture of the second embodiment as shown in FIG. 5;

FIG. 7 is a front view of the lavatory fixture of the second embodiment as shown in FIG. 5; and,

FIG. 8 is a side view of the lavatory fixture of the second embodiment as shown in FIG. 5

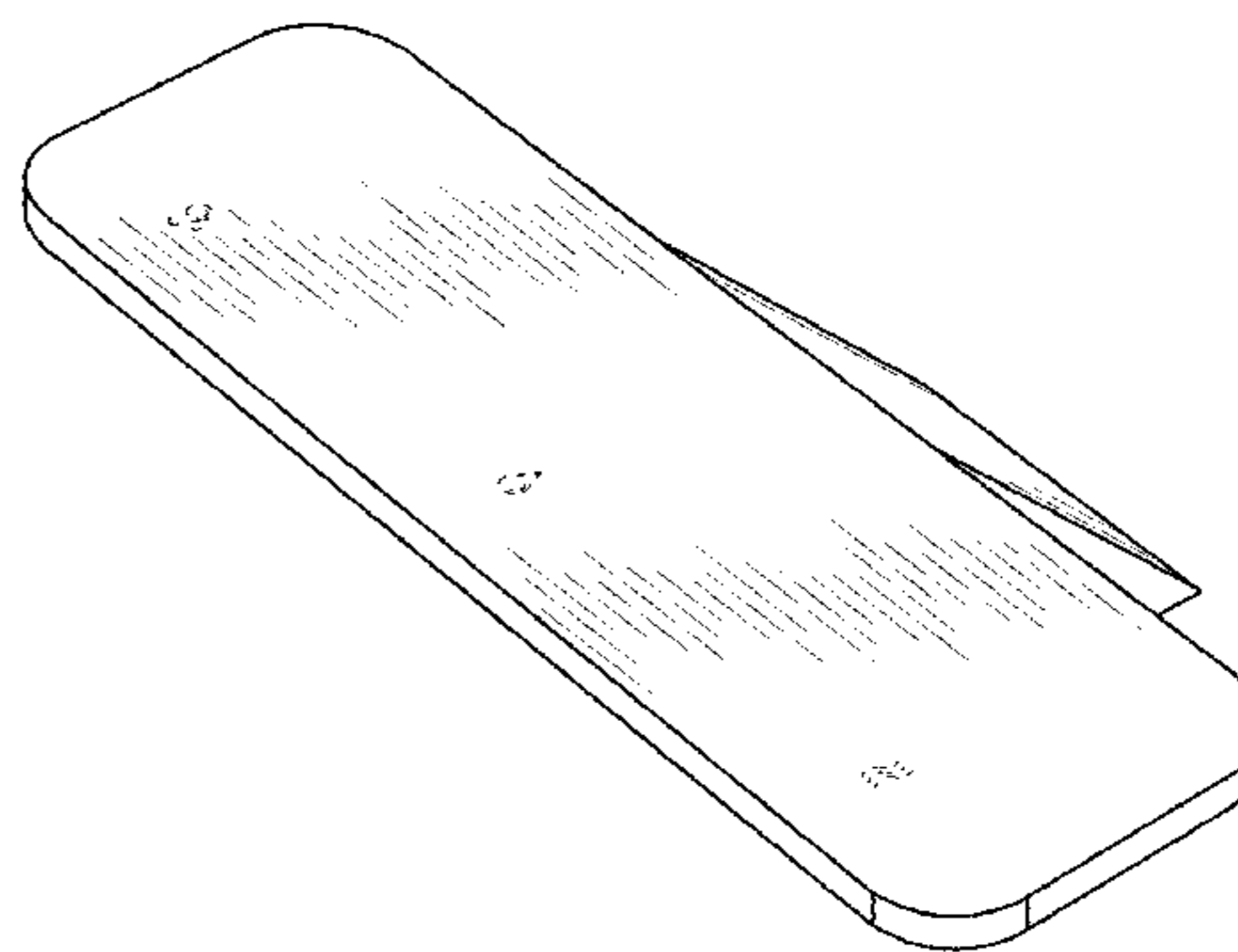
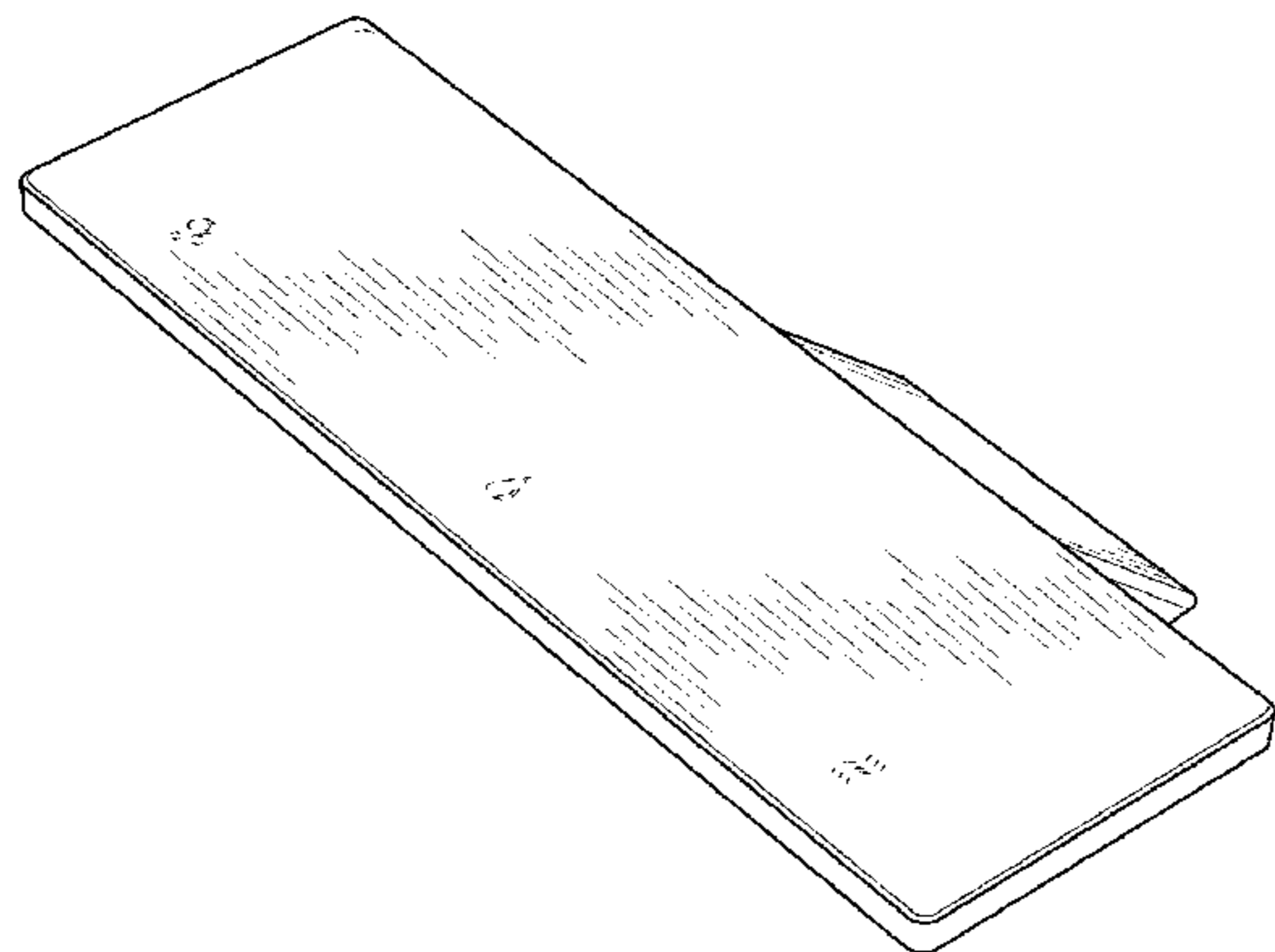
The broken-line symbols on the top surface in the drawings show portions of the article that form no part of the claim.

(56) **References Cited**

U.S. PATENT DOCUMENTS

D224,402 S * 7/1972 Jenner D23/241
4,334,328 A * 6/1982 Delepine E03C 1/0404
4/678
D268,949 S * 5/1983 Delepine D23/255
D296,233 S * 6/1988 Enthoven D23/241
D310,866 S * 9/1990 Strignano D23/241

1 Claim, 4 Drawing Sheets



(56)

References Cited

U.S. PATENT DOCUMENTS

D529,134 S *	9/2006	Massaud	D23/238
D534,989 S *	1/2007	Massaud	D23/238
D580,524 S *	11/2008	Starck	D23/254
D634,404 S *	3/2011	Thornton	D23/238
D667,083 S *	9/2012	Romero	D23/238
D820,405 S *	6/2018	Wieser	D23/239
D820,406 S *	6/2018	Wieser	D23/239
D820,407 S *	6/2018	Wieser	D23/239
D839,524 S *	1/2019	Yoo	D32/58

* cited by examiner

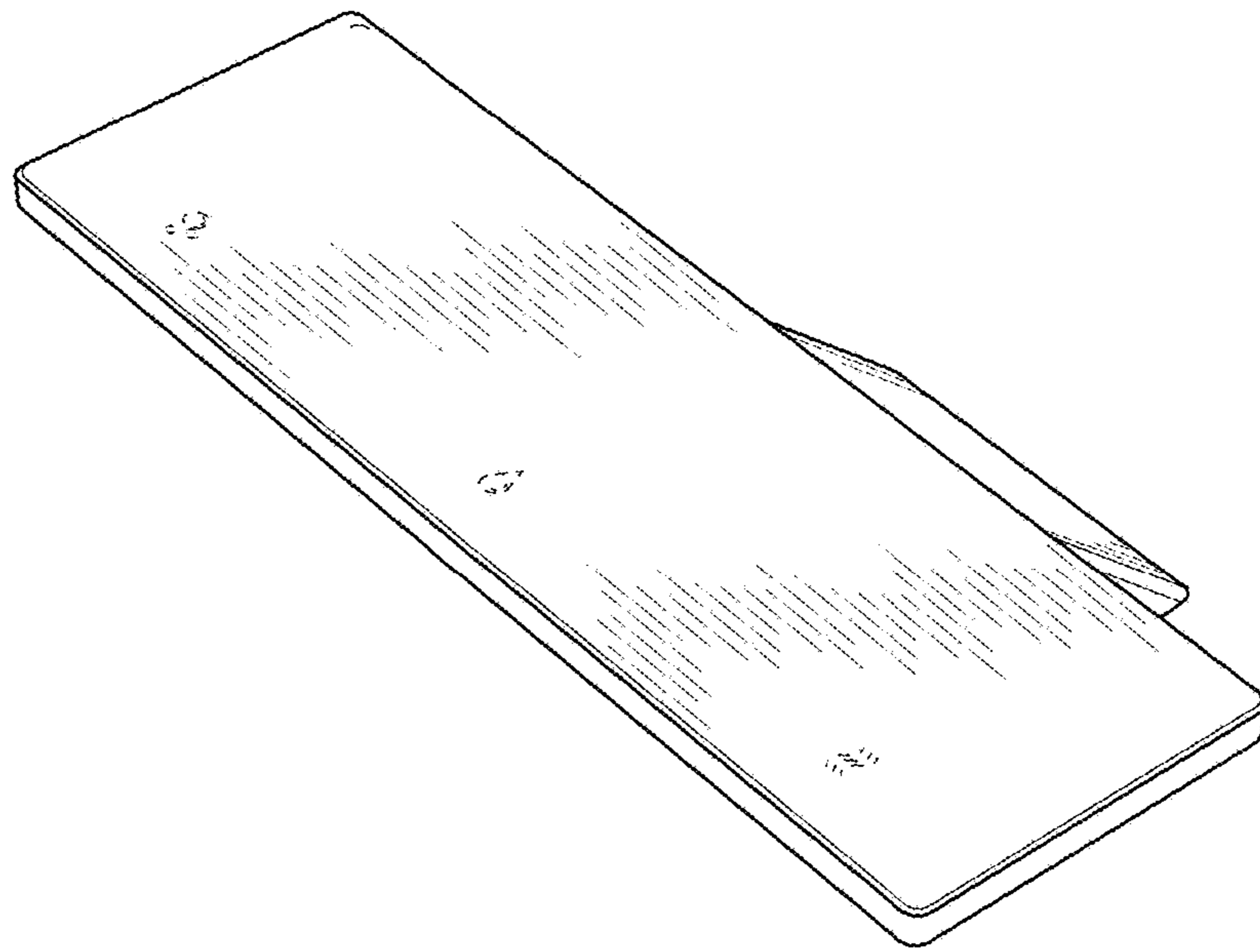


FIG. 1

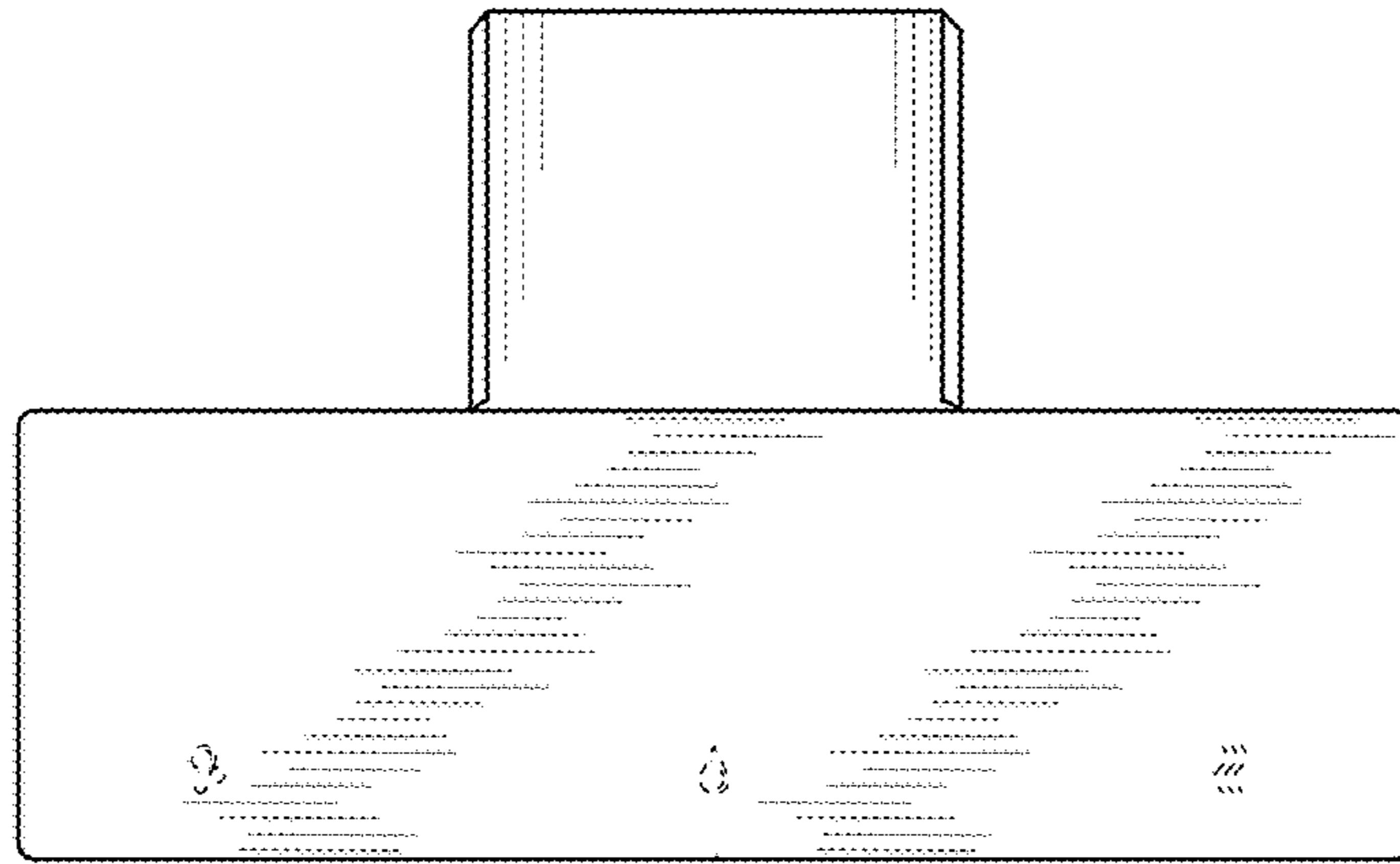


FIG. 2

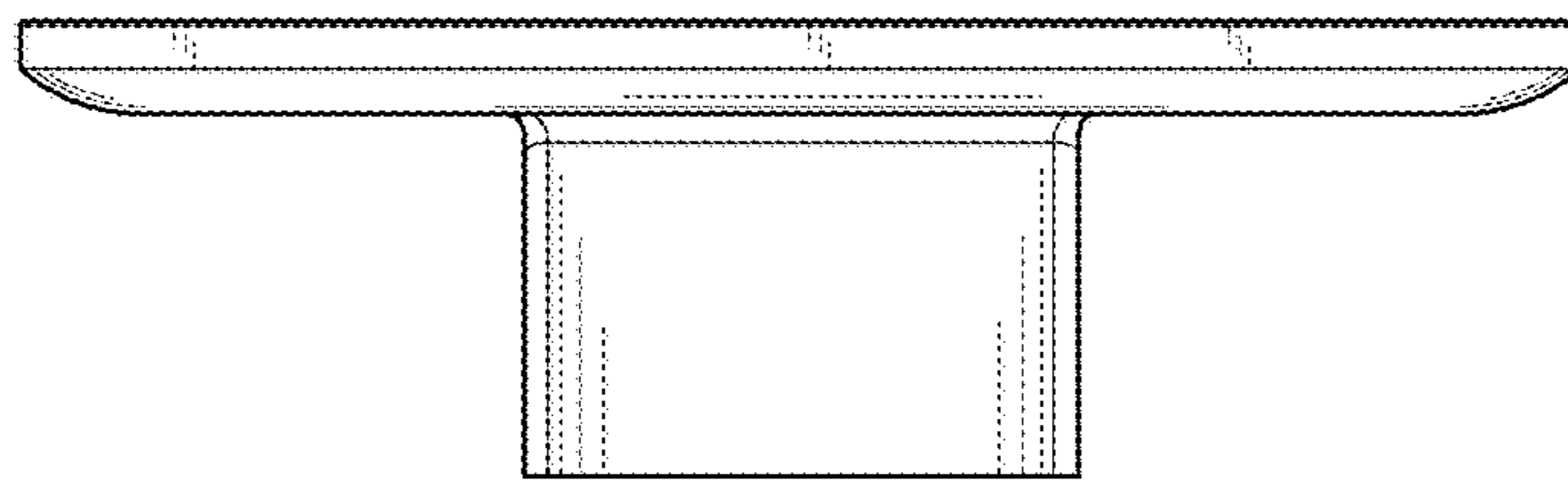


FIG. 3

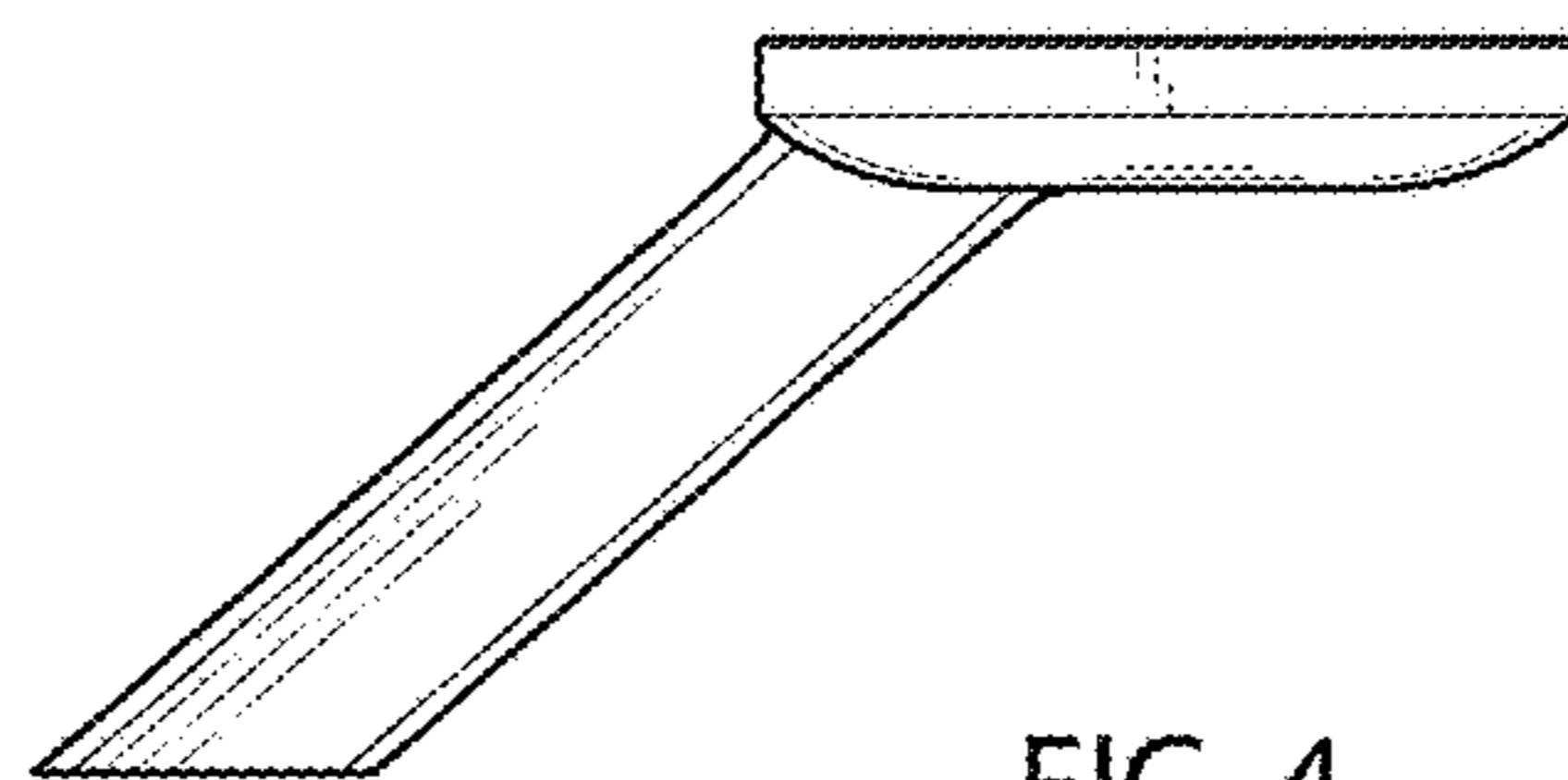


FIG. 4

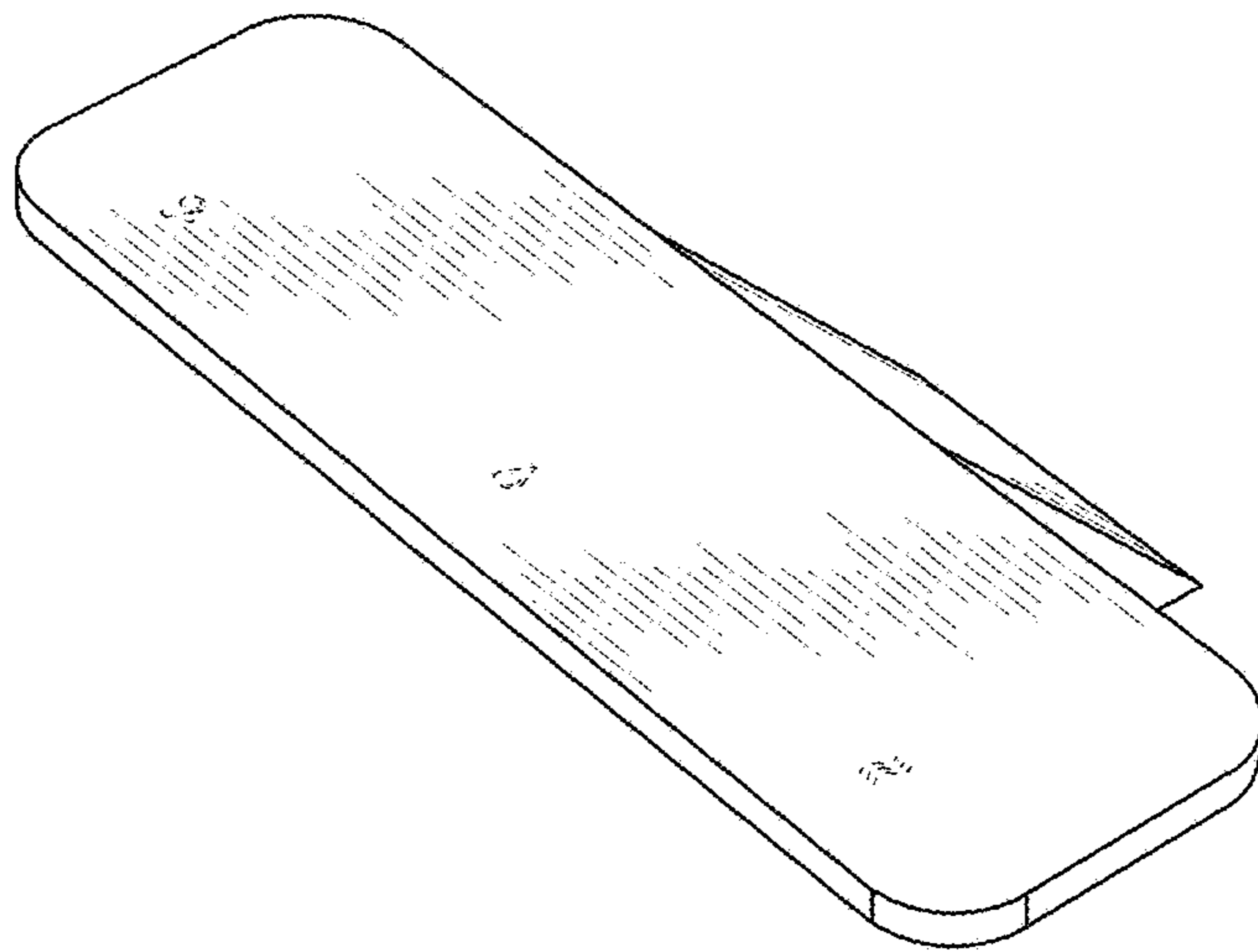


FIG. 5

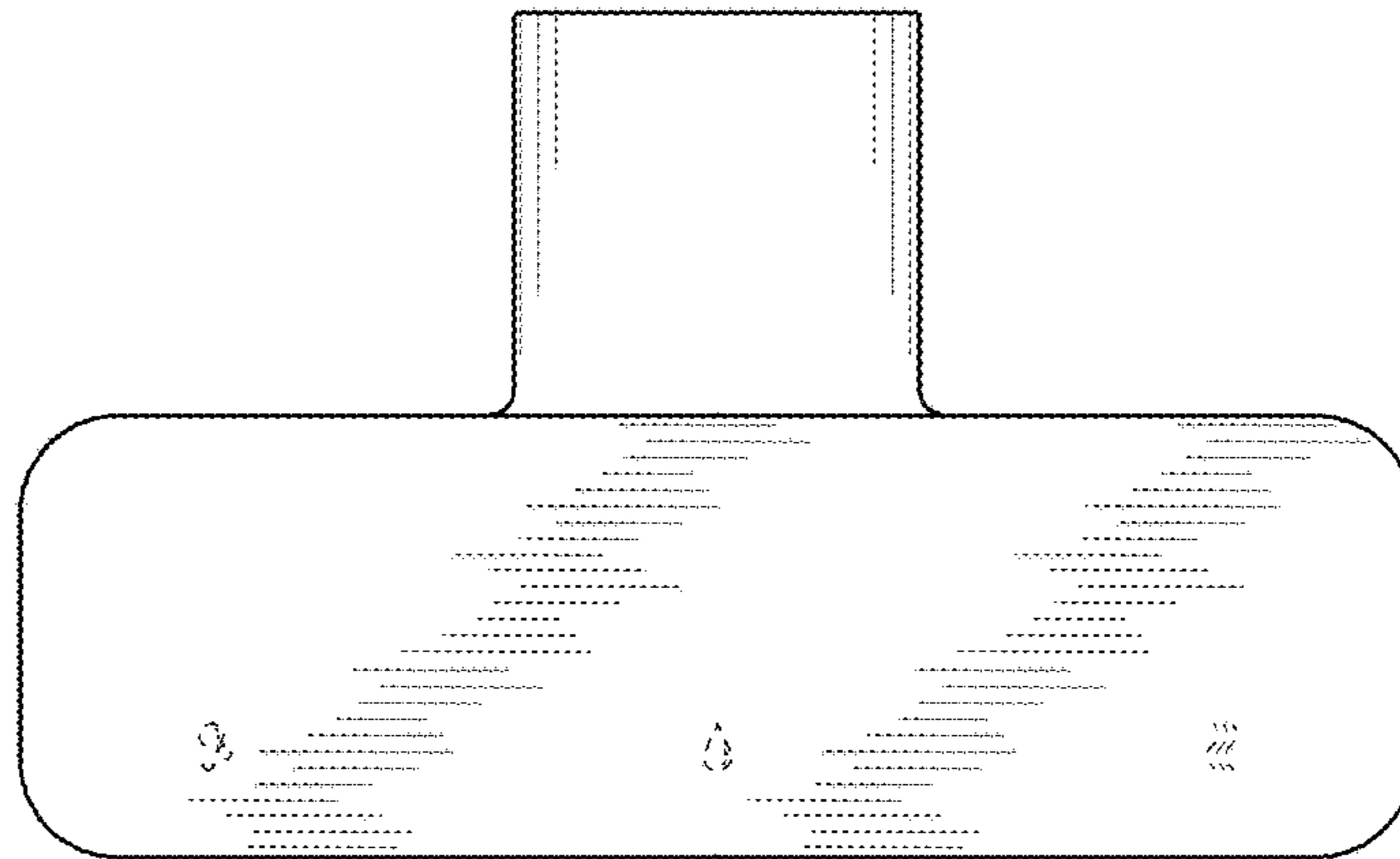


FIG. 6

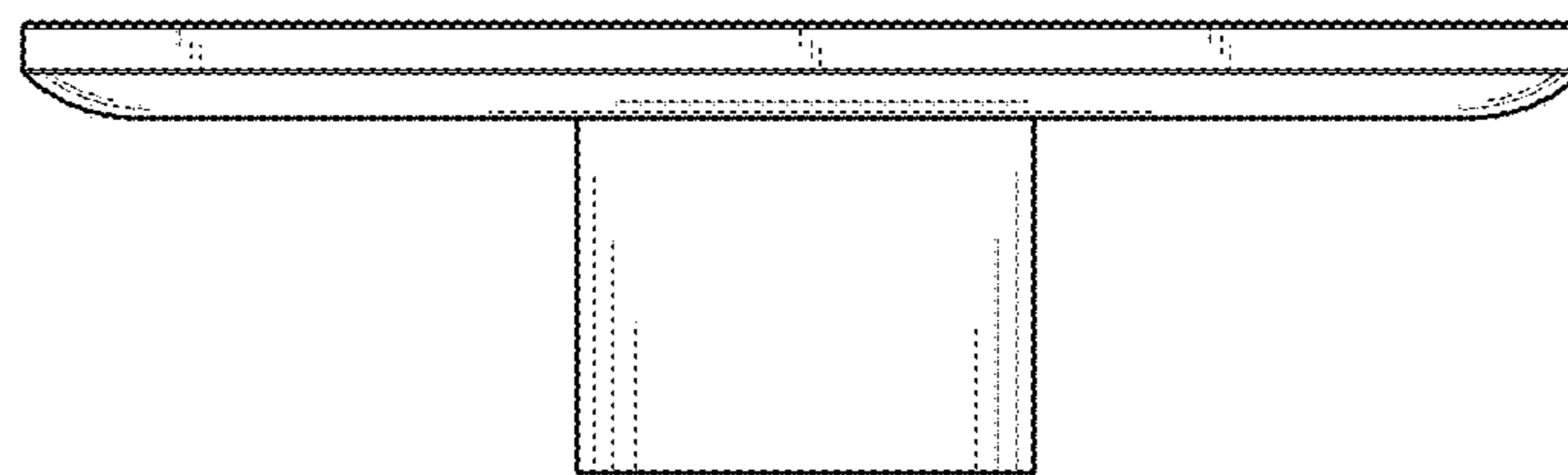


FIG. 7

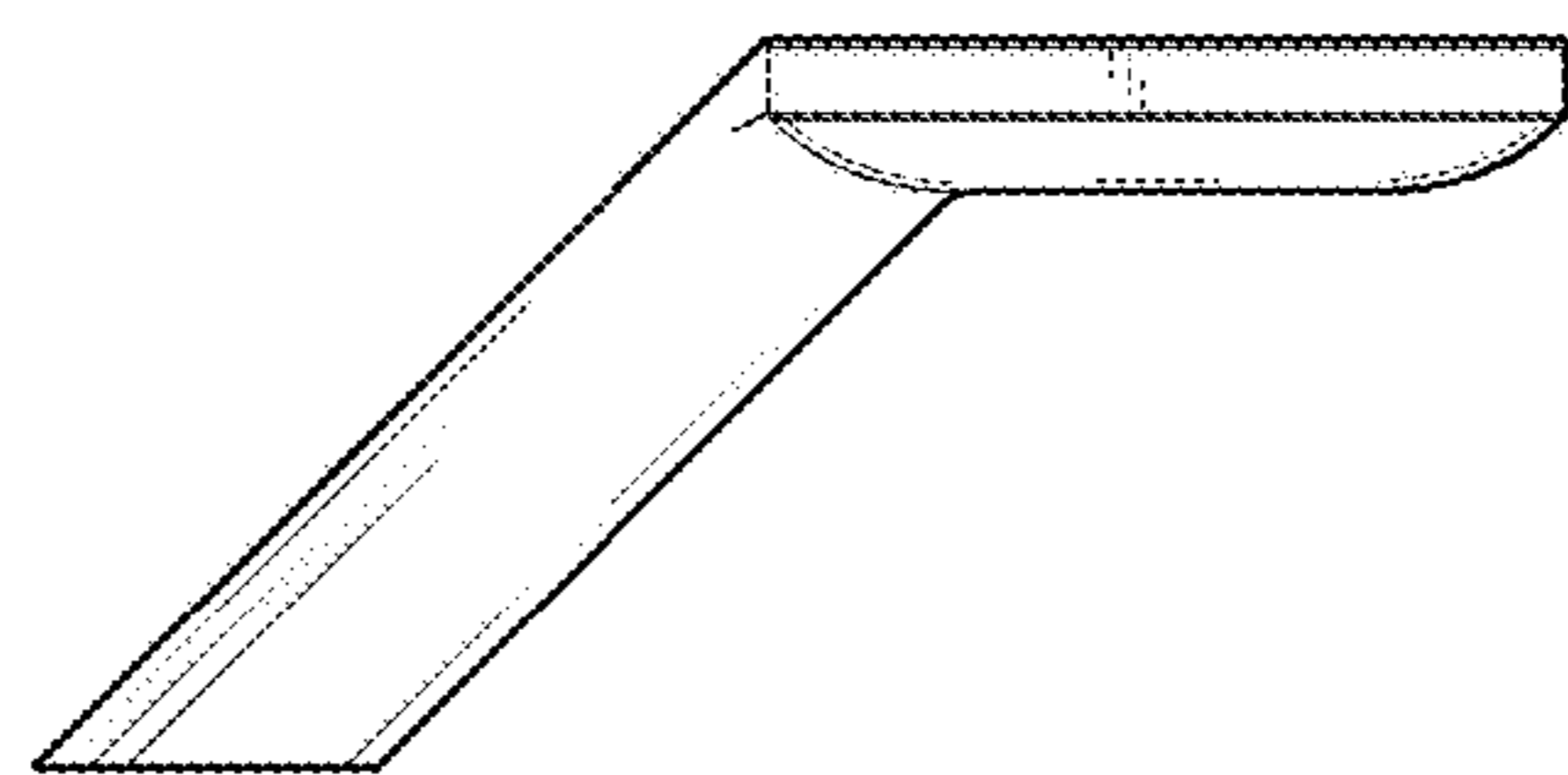


FIG. 8