



US00D865910S

(12) **United States Design Patent** (10) **Patent No.:** **US D865,910 S**  
**Schaubach et al.** (45) **Date of Patent:** **\*\* Nov. 5, 2019**

(54) **FAUCET**

FOREIGN PATENT DOCUMENTS

(71) Applicant: **Spectrum Brands, Inc.**, Middleton, WI (US)

CA 169422 2/2017

\* cited by examiner

(72) Inventors: **Lauren Schaubach**, Costa Mesa, CA (US); **Selia Ke**, Fujian (CN)

*Primary Examiner* — Robert A Delehanty

(74) *Attorney, Agent, or Firm* — Banner & Witcoff, Ltd.

(73) Assignee: **Spectrum Brands, Inc.**, Middleton, WI (US)

(57) **CLAIM**

The ornamental design for a faucet, as shown and described.

(\*\*) Term: **15 Years**

**DESCRIPTION**

(21) Appl. No.: **29/630,373**

FIG. 1 is a front perspective view of a faucet showing our new design;

(22) Filed: **Dec. 20, 2017**

FIG. 2 is a right side view thereof;

(51) **LOC (12) Cl.** ..... **23-01**

FIG. 3 is a left side view thereof;

(52) **U.S. Cl.**

FIG. 4 is a front view thereof;

USPC ..... **D23/238**

FIG. 5 is a rear view thereof;

(58) **Field of Classification Search**

FIG. 6 is a top view thereof;

USPC ..... D23/238, 255, 257, 252, 254;  
D8/307-308

FIG. 7 is a bottom view thereof;

CPC ..... F16K 31/60; F16K 31/602; F16K 31/605;  
F16K 31/607; E03C 1/0412

FIG. 8 is a front perspective view of an alternative embodiment of a faucet showing our new design;

See application file for complete search history.

FIG. 9 is a right side view thereof;

FIG. 10 is a left side view thereof;

FIG. 11 is a front view thereof;

FIG. 12 is a rear view thereof;

FIG. 13 is a top view thereof; and,

FIG. 14 is a bottom view thereof.

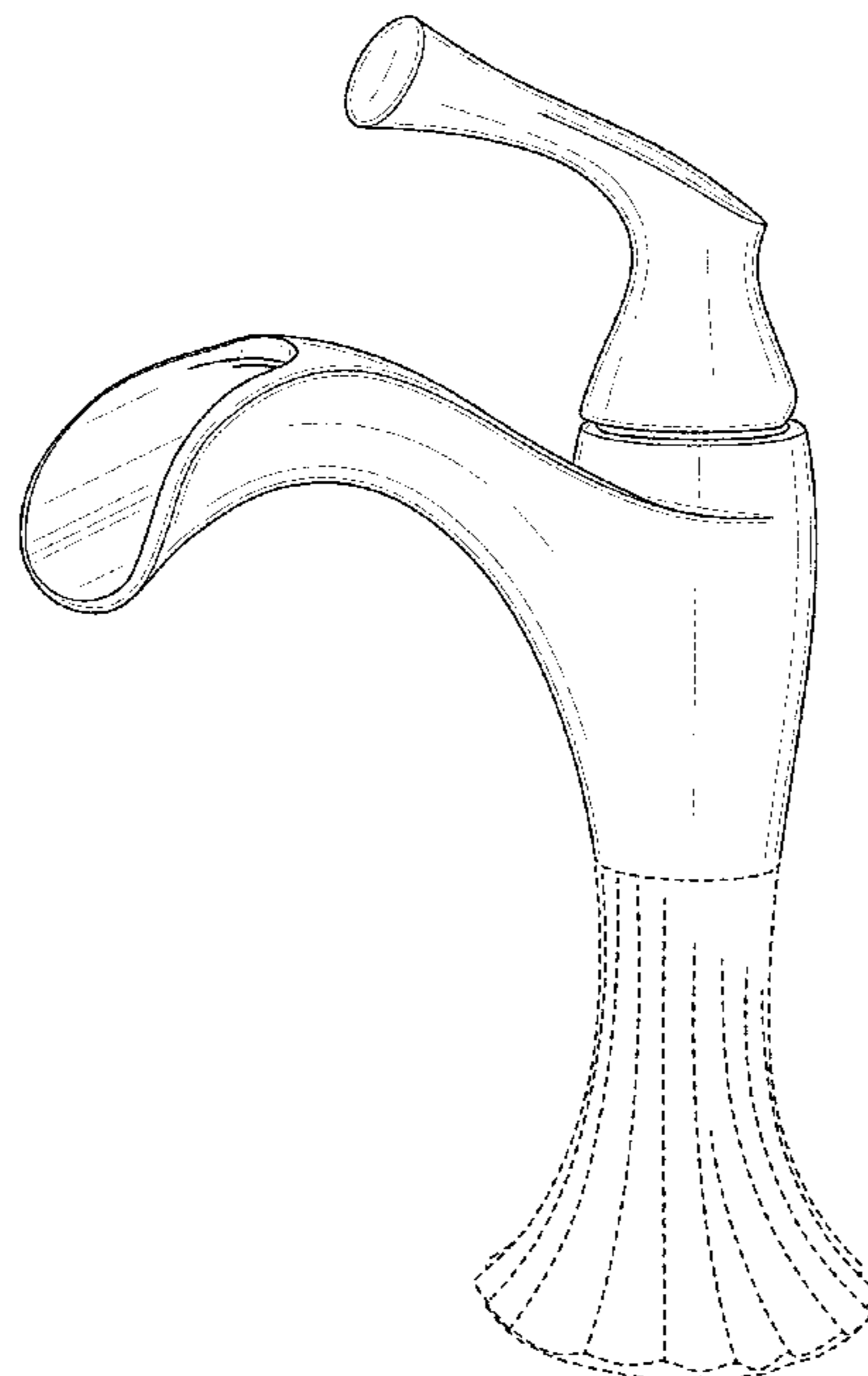
The broken lines showing the internal spout opening in FIGS. 4 and 11, and the small circular region in FIGS. 5 and 12 represent unclaimed features of the design. The broken lines showing the remainder of the faucet are for environmental purposes only and form no part of the claimed design.

(56) **References Cited**

U.S. PATENT DOCUMENTS

D581,030 S	*	11/2008	Fritz	.....	D23/255
D681,165 S	*	4/2013	Berger	.....	D23/238
D790,667 S	*	6/2017	Schaubach	.....	D23/252
D791,285 S	*	7/2017	Schaubach	.....	D23/257
D837,947 S	*	1/2019	Schaubach	.....	D23/255
D839,393 S	*	1/2019	Schaubach	.....	D23/255
D839,395 S	*	1/2019	Schaubach	.....	D23/255
D840,513 S	*	2/2019	Chen	.....	D23/255

**1 Claim, 14 Drawing Sheets**



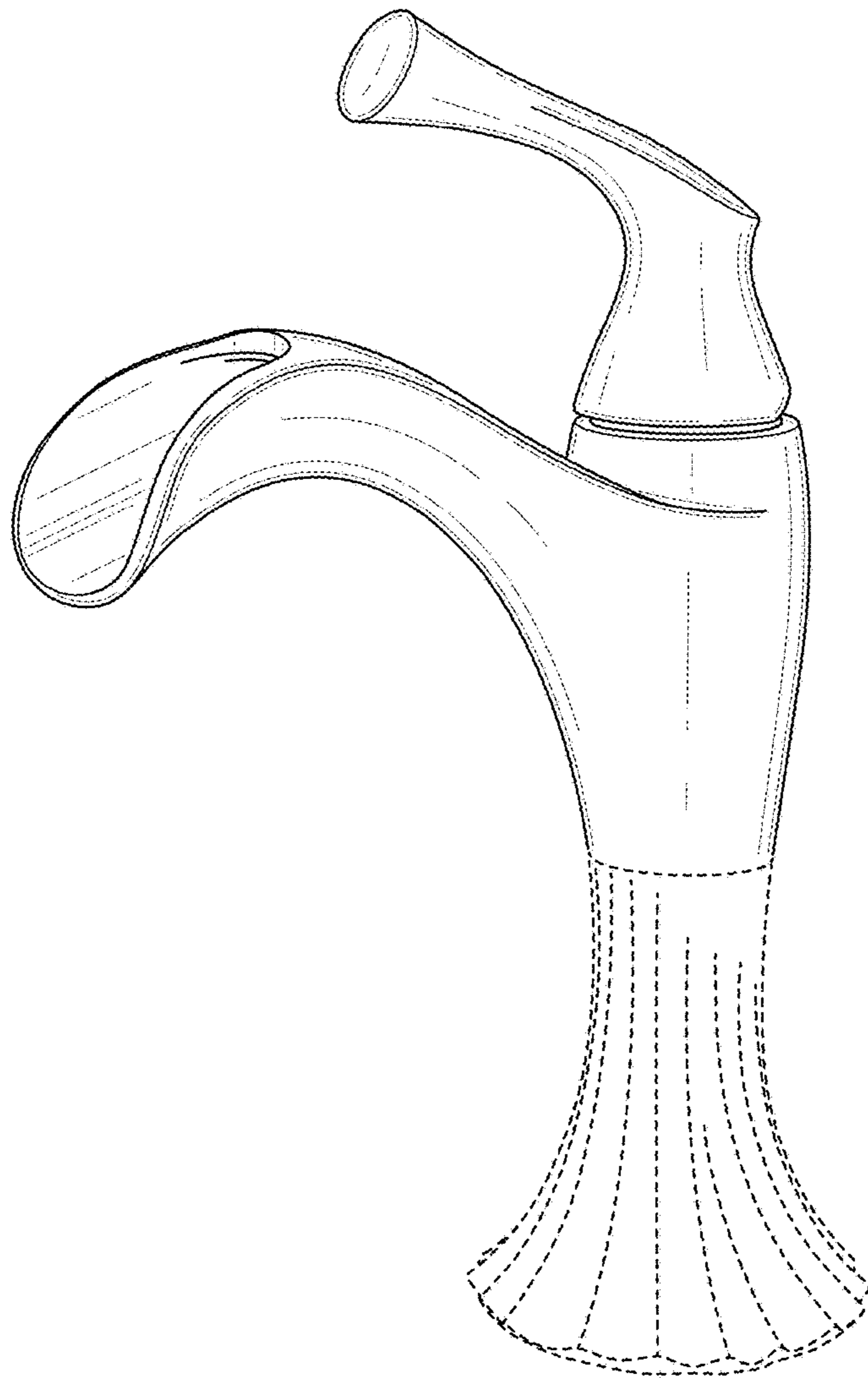


FIG. 1

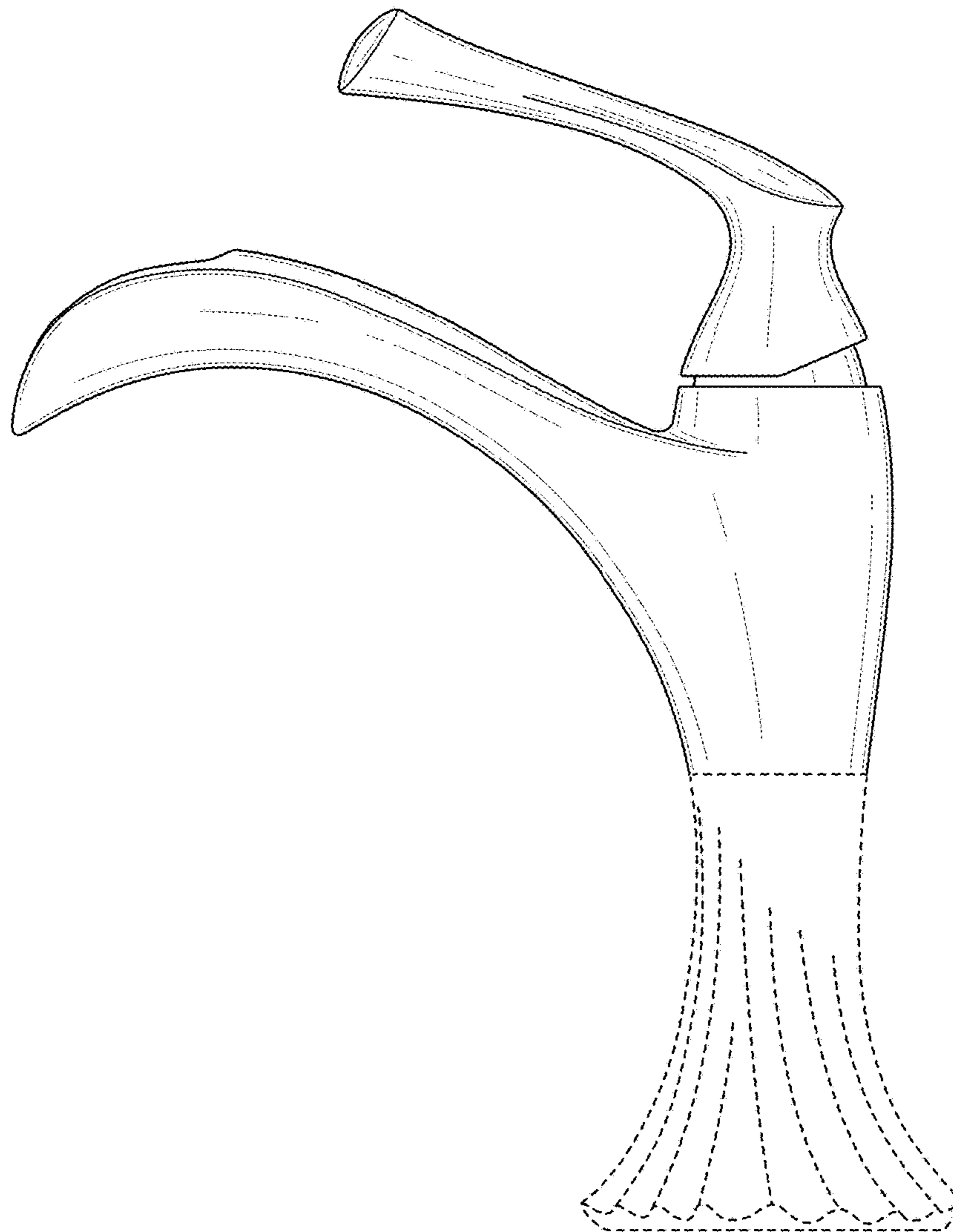


FIG. 2

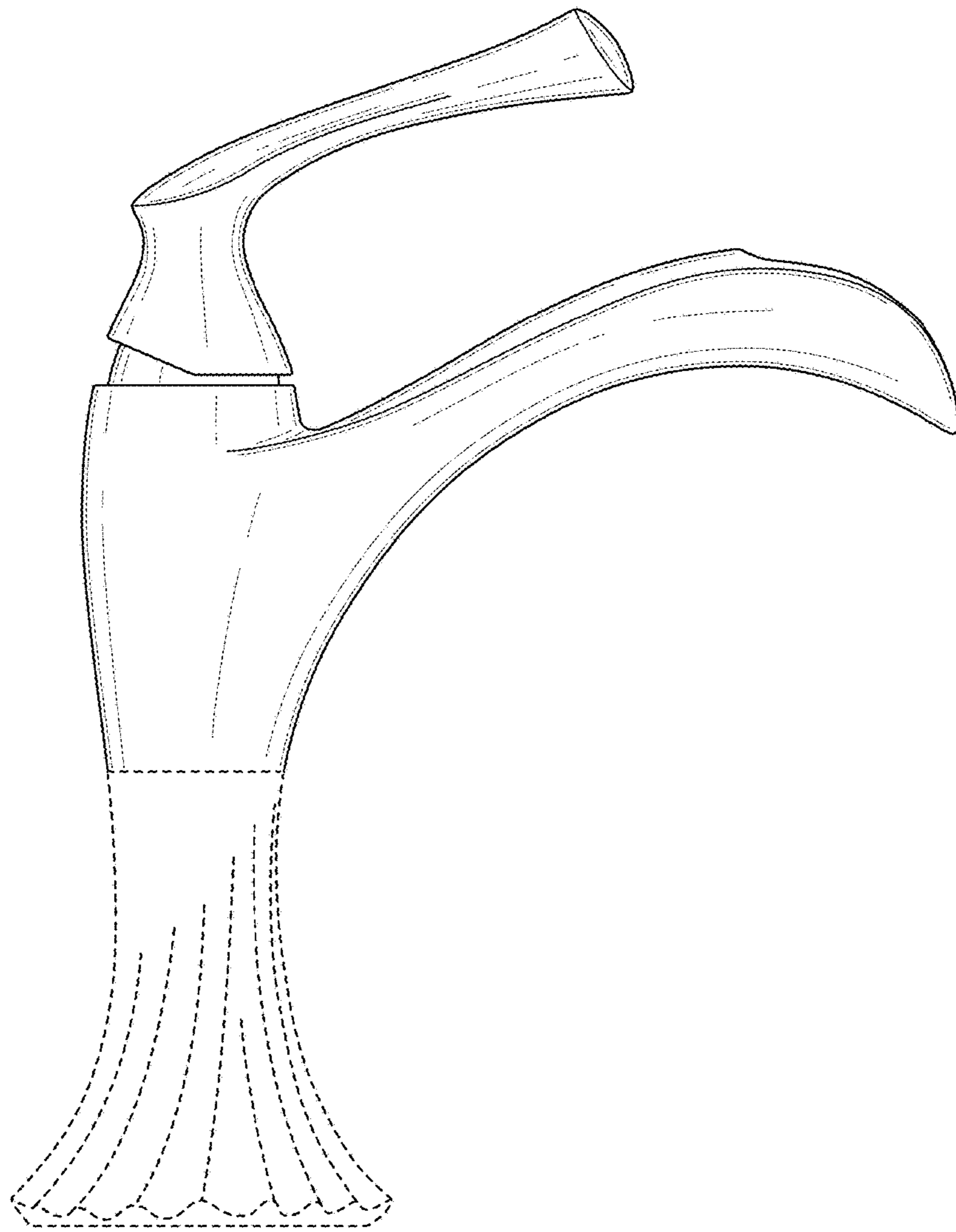


FIG. 3

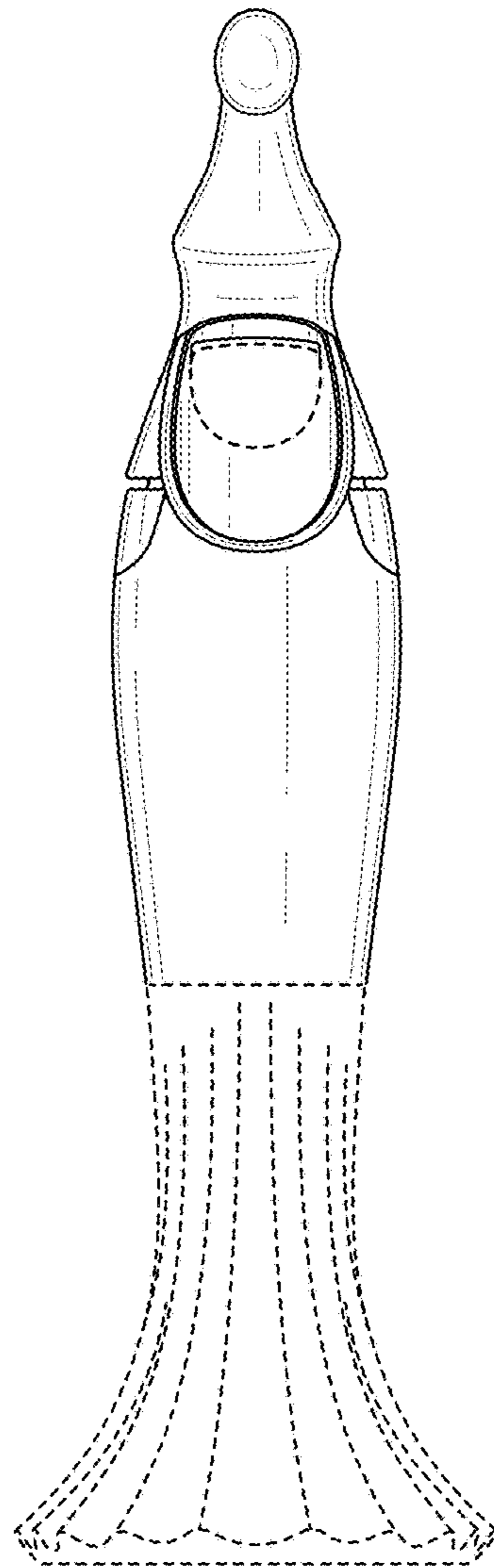


FIG. 4

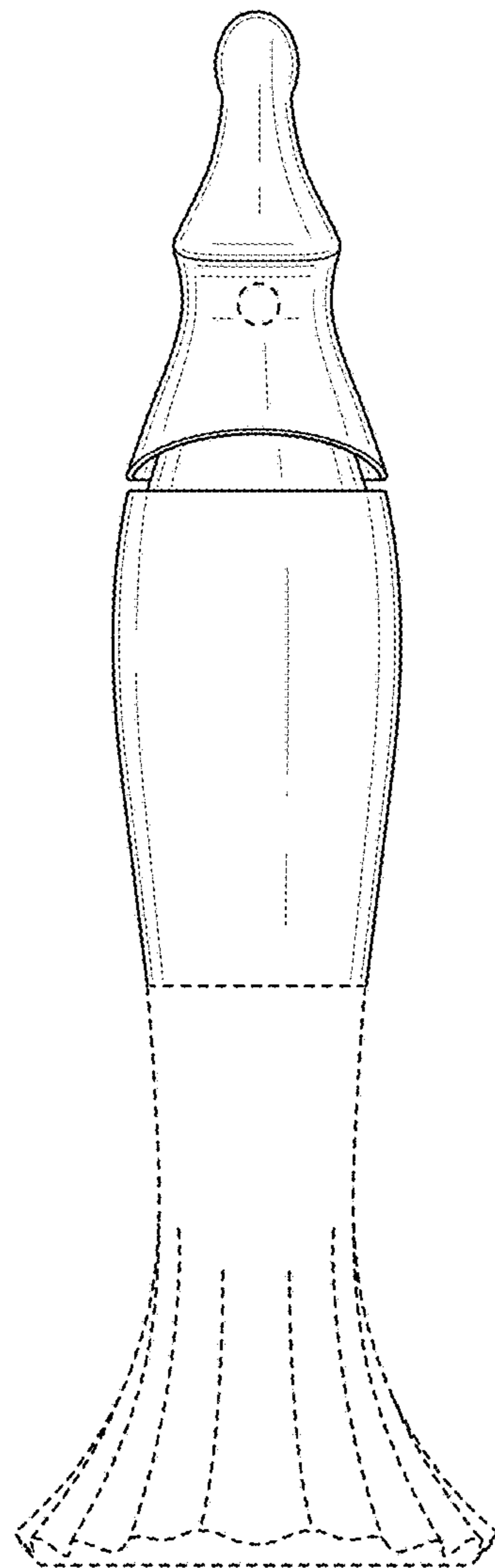


FIG. 5

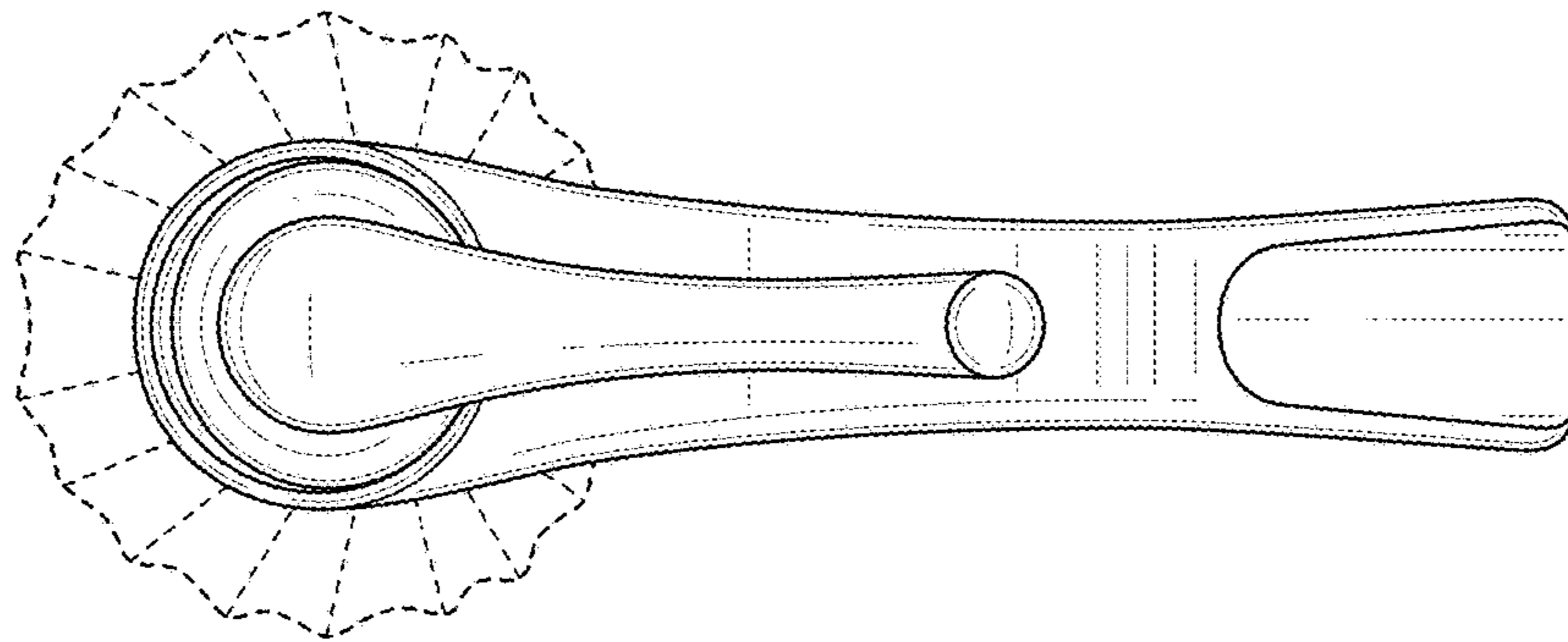


FIG. 6



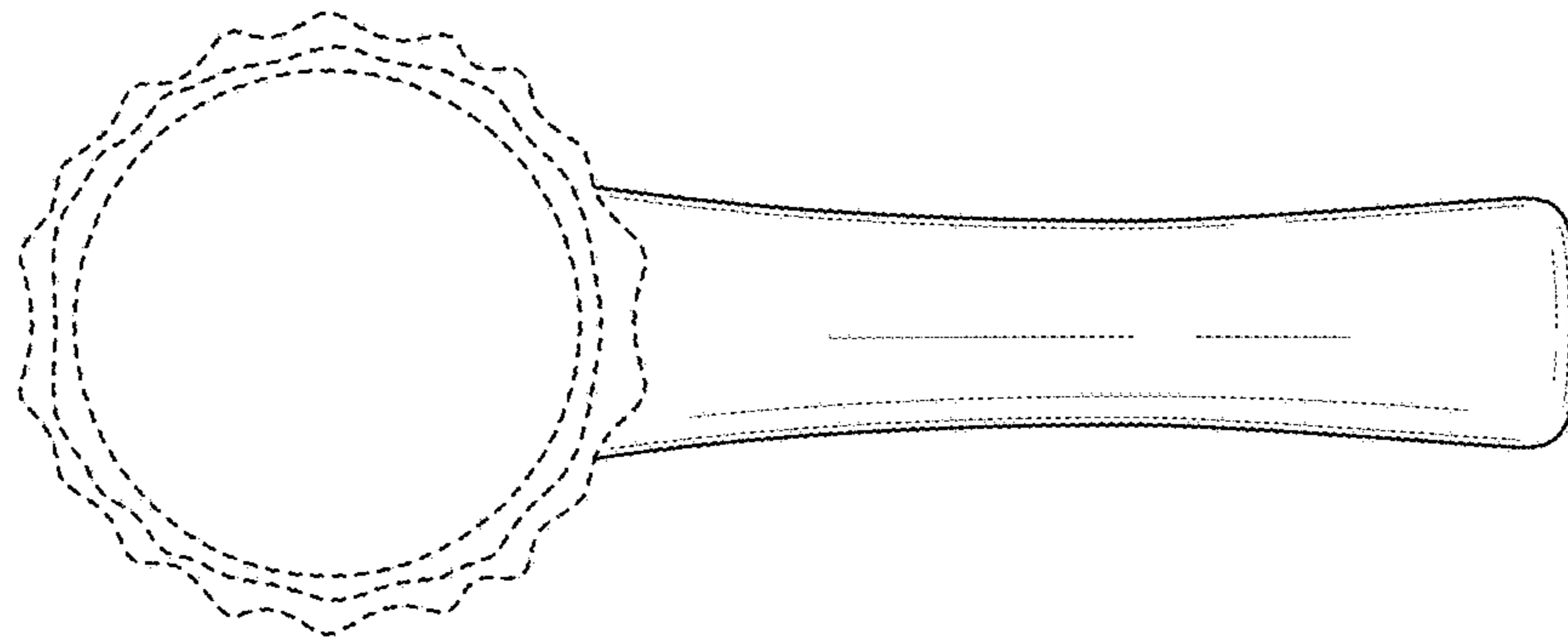


FIG. 7



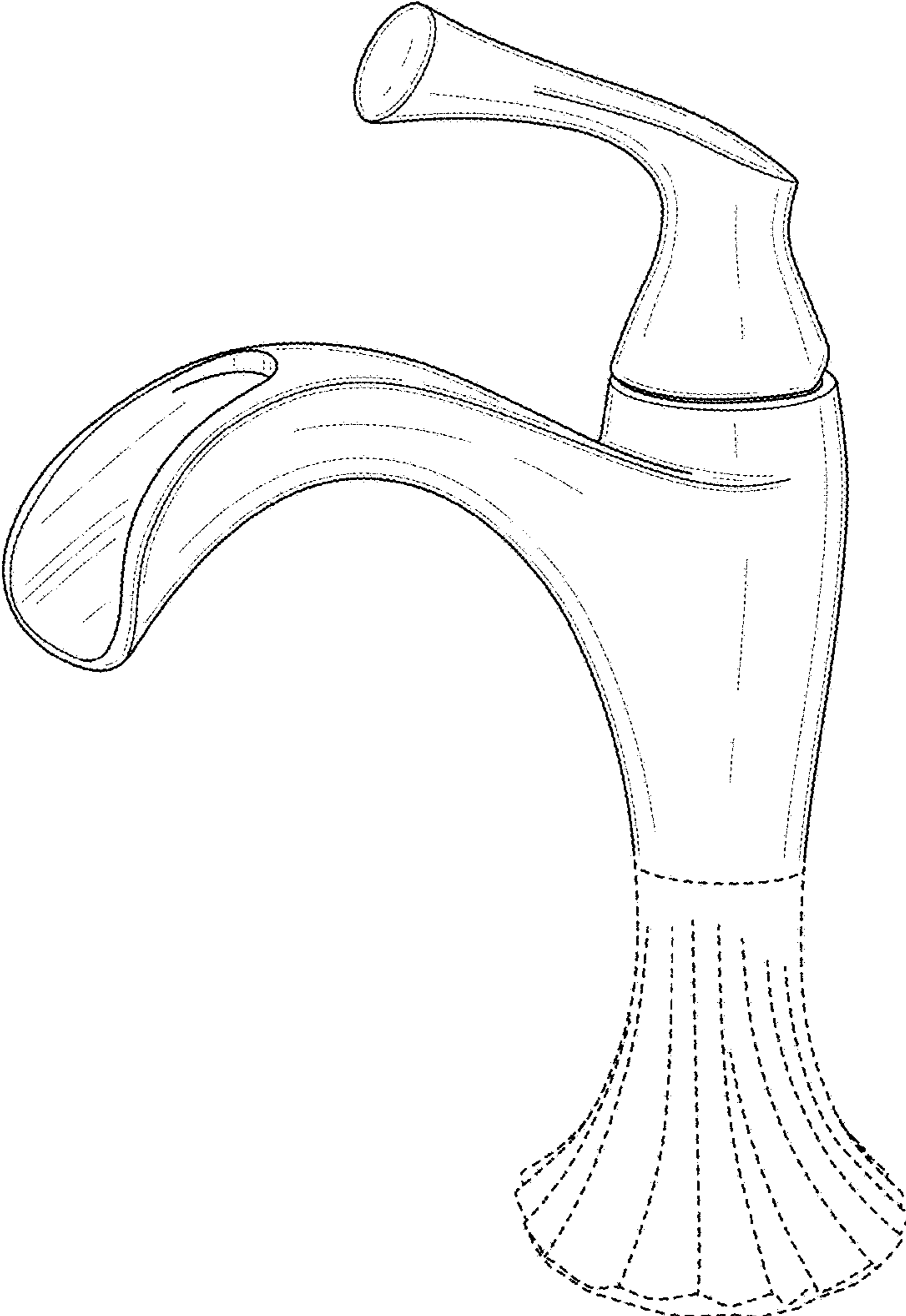


FIG. 8

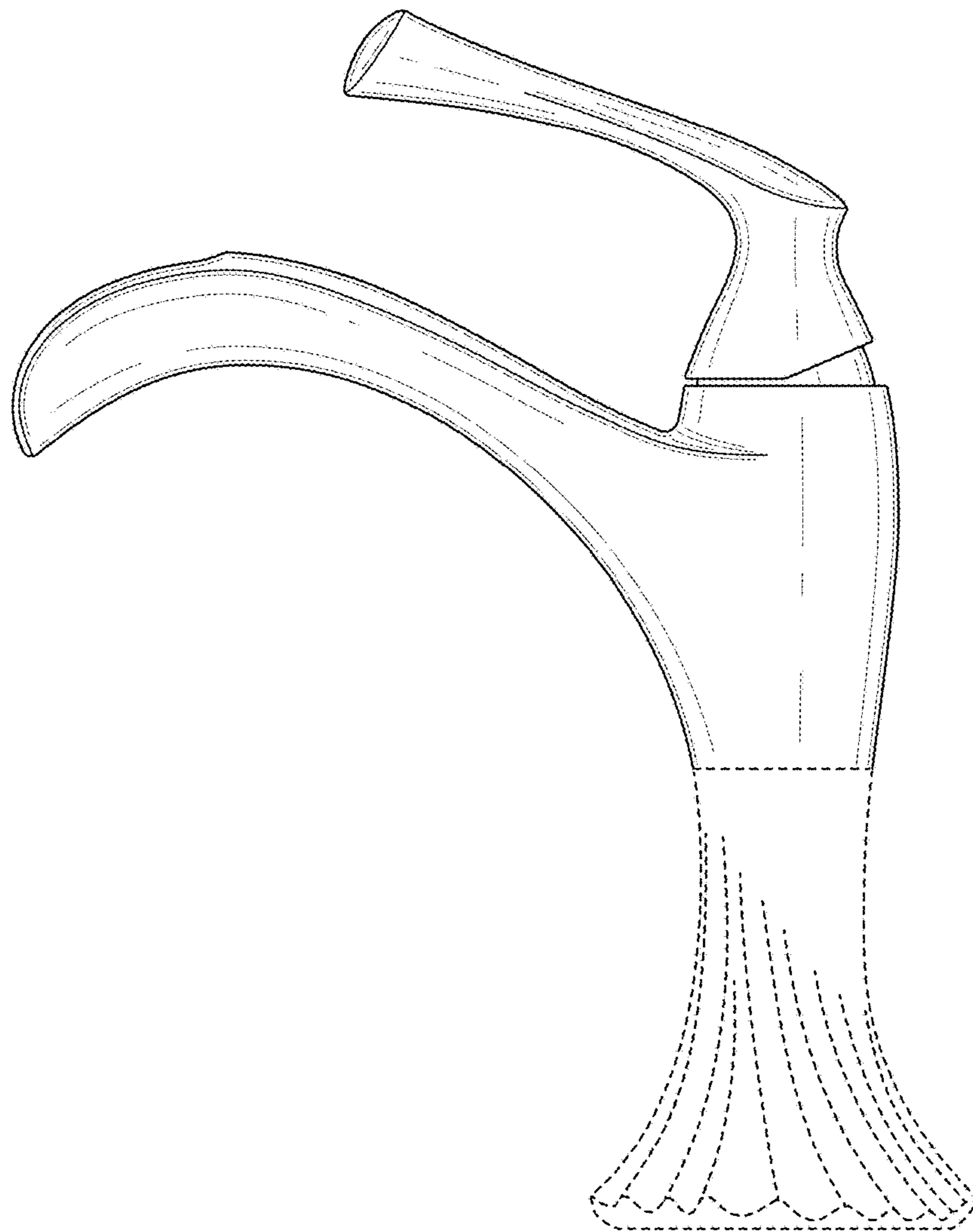


FIG. 9

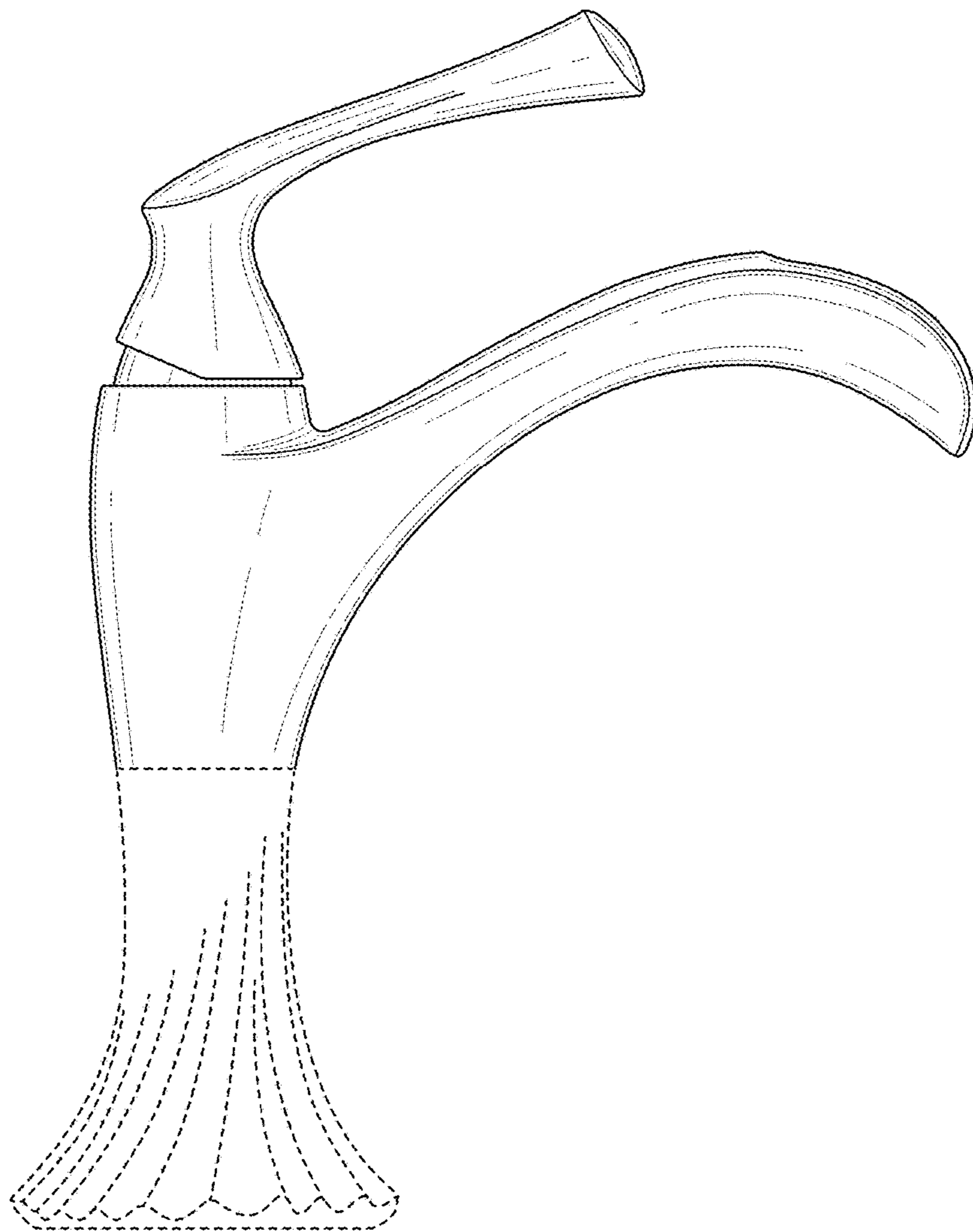


FIG. 10

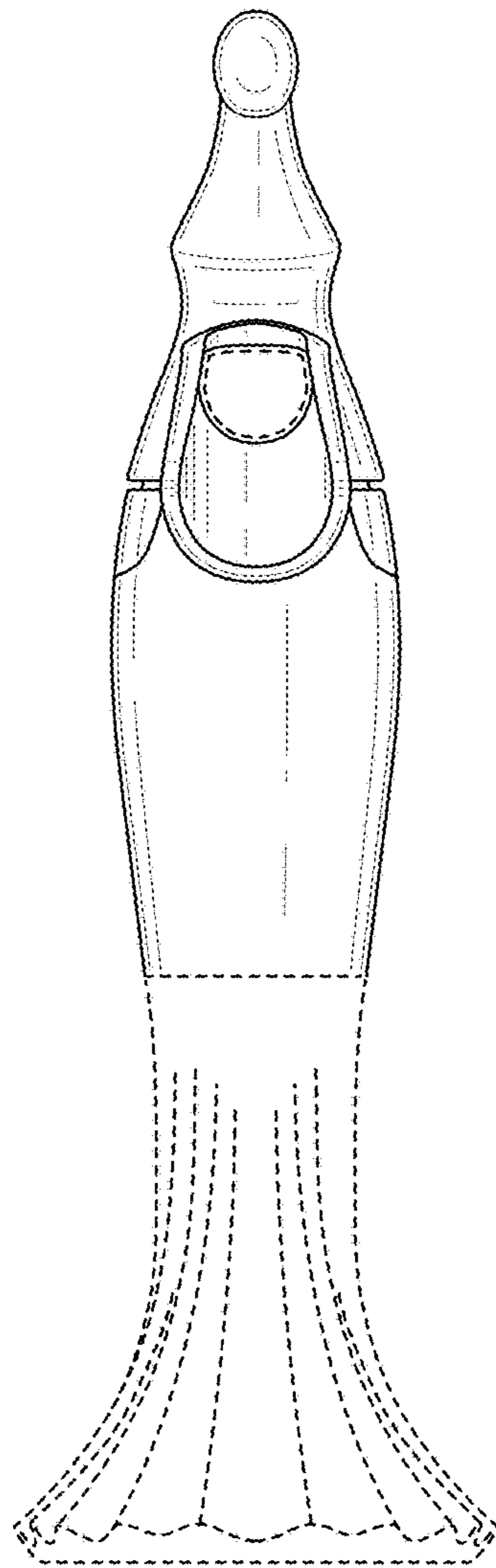


FIG. 11

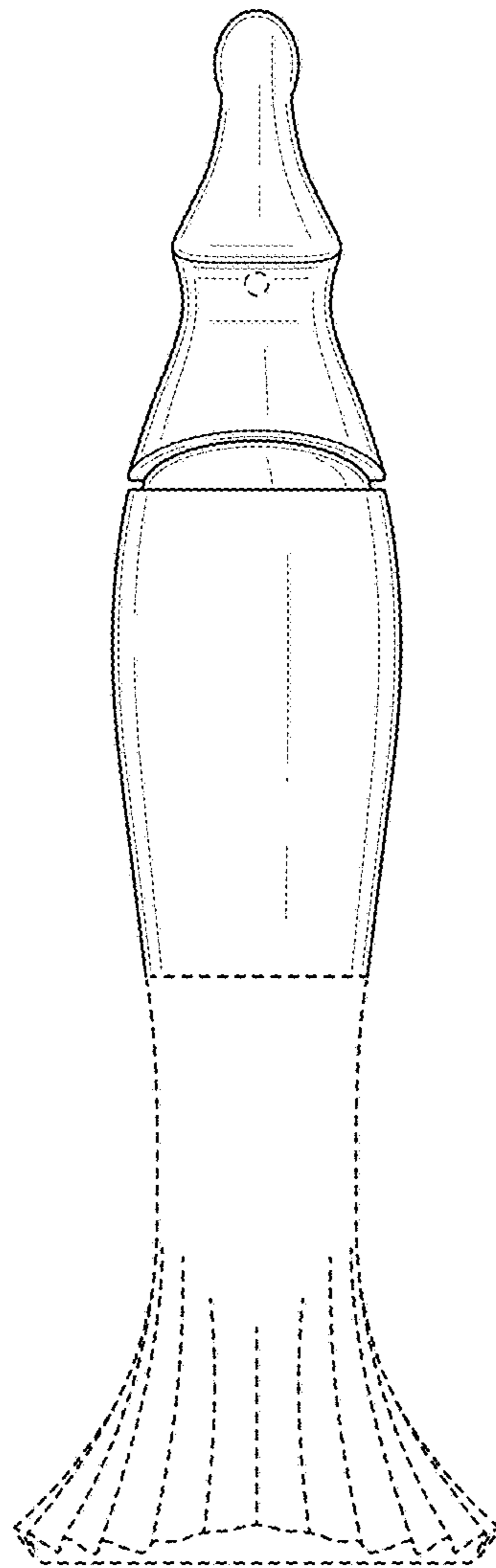


FIG. 12

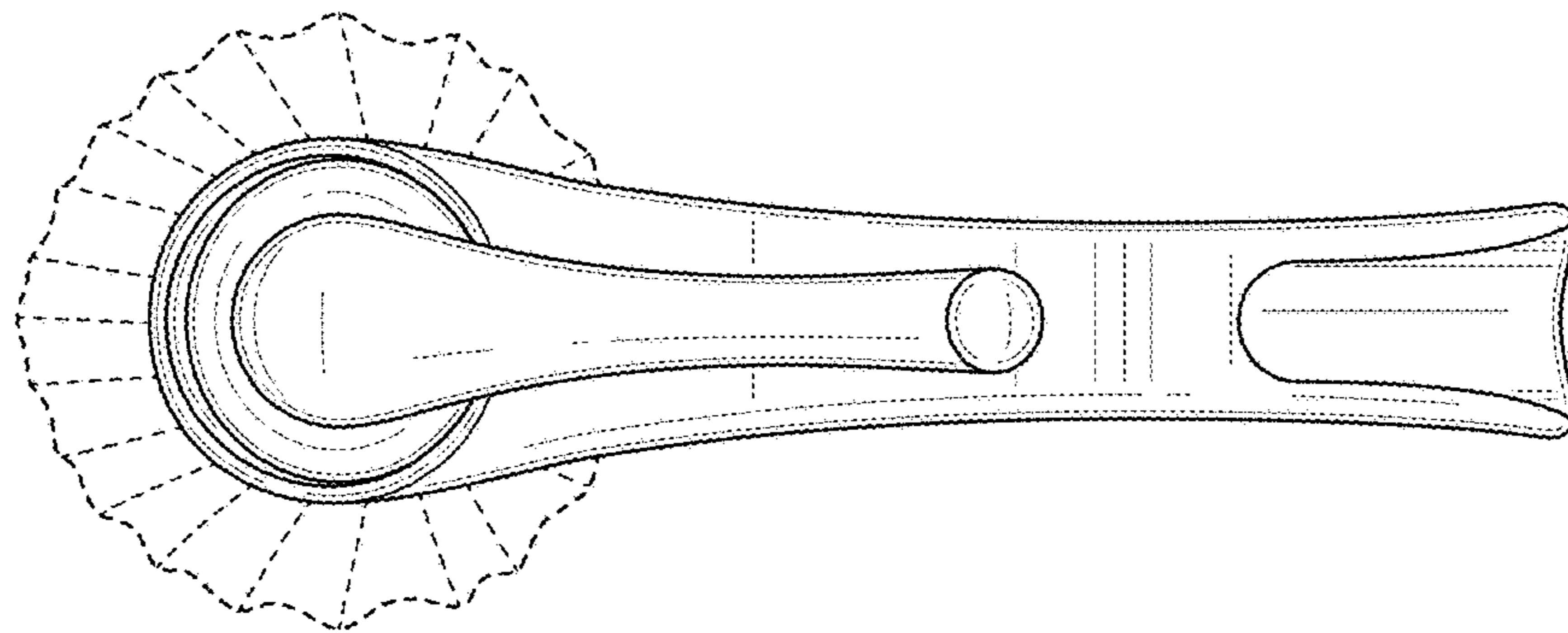


FIG. 13

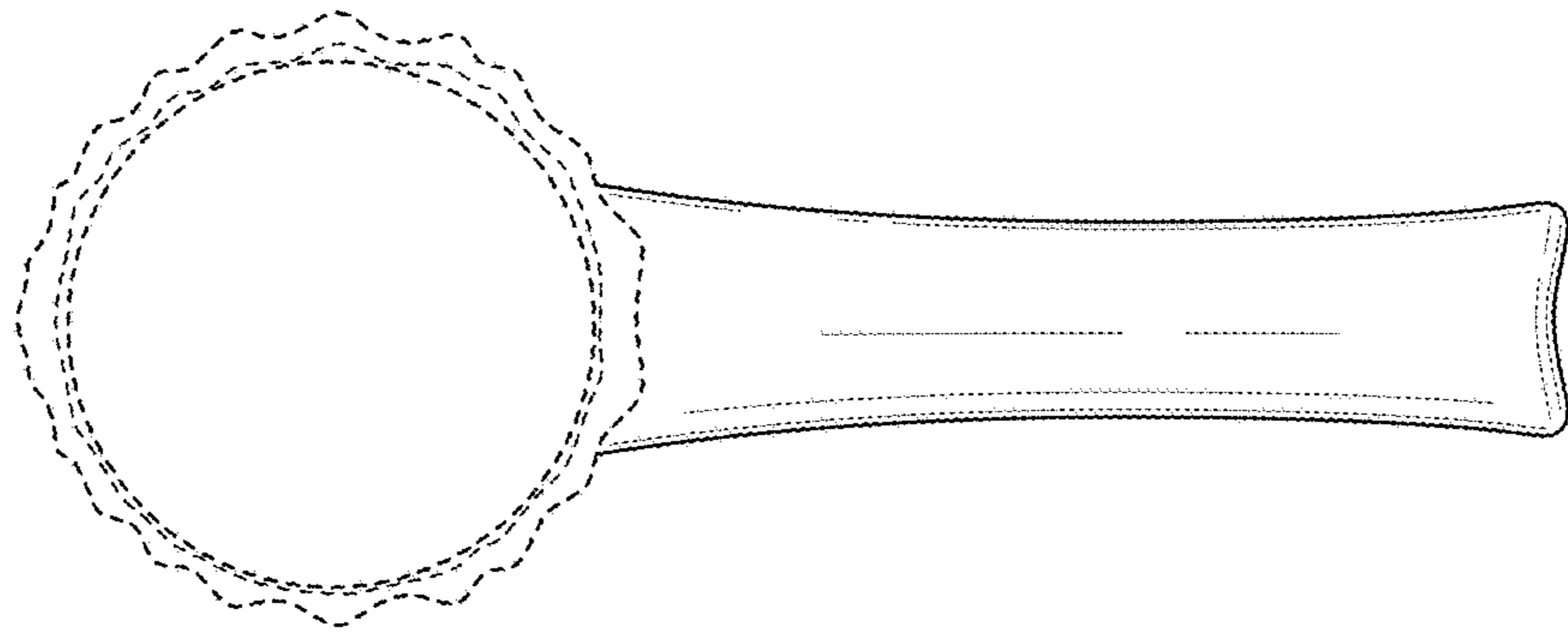


FIG. 14