



US00D865908S

(12) **United States Design Patent** (10) **Patent No.:** **US D865,908 S**
Hsieh (45) **Date of Patent:** **** Nov. 5, 2019**

- (54) **SPRINKLER**
- (71) Applicant: **Yuan Pin Industrial Co., Ltd.,**
Chang-Hua County (TW)
- (72) Inventor: **Ming-Chih Hsieh,** Chang-Hua County
(TW)
- (73) Assignee: **Yuan Pin Industrial Co., Ltd.,** Ho-Mei
Township (TW)
- (**) Term: **15 Years**
- (21) Appl. No.: **29/648,786**
- (22) Filed: **May 24, 2018**
- (51) **LOC (12) Cl.** **23-01**
- (52) **U.S. Cl.**
USPC **D23/213**
- (58) **Field of Classification Search**
USPC D23/213, 214, 215, 223, 224, 226, 229,
D23/230
CPC A61H 9/0021; A61H 33/00; B05B 1/00;
B05B 1/14; B05B 1/185; B05B 1/08;
B05B 1/02; B05B 1/26; B05B 12/002;
B05B 1/18; B05B 9/01
See application file for complete search history.

D718,418 S *	11/2014	Georgeson	D23/213
8,950,693 B2 *	2/2015	Hsieh	B05B 1/3026 239/525
D730,493 S *	5/2015	Sehl	D23/261
D733,258 S *	6/2015	Sandee	D23/223
D737,931 S *	9/2015	Schoenherr	D23/223
D737,932 S *	9/2015	Nikles	D23/223
D743,507 S *	11/2015	Georgeson	D23/252
D746,955 S *	1/2016	Corder	D23/261
D752,711 S *	3/2016	Georgeson	D23/213
9,387,495 B2 *	7/2016	Schumacher	B05B 1/30
D778,404 S *	2/2017	Schoenherr	D23/223
D779,038 S *	2/2017	Hanna	D23/223
D779,039 S *	2/2017	Hanna	D23/223
D801,475 S *	10/2017	Naslund	D23/213
D803,350 S *	11/2017	Tian	D23/213
D808,499 S *	1/2018	Naslund	D23/213
D809,094 S *	1/2018	Naslund	D23/213
D810,233 S *	2/2018	Winter	D23/213
D810,861 S *	2/2018	Weaver	D23/213
D811,524 S *	2/2018	Bossini	D23/223
9,895,703 B1 *	2/2018	Hsieh	B05B 1/3026

(Continued)

Primary Examiner — Manpreet S Matharu
Assistant Examiner — Keith J Wilson
 (74) *Attorney, Agent, or Firm* — Alan D. Kamrath; Karin L. Williams; Mayer & Williams PC

(57) **CLAIM**

The ornamental design for a sprinkler, as shown.

(56) **References Cited**

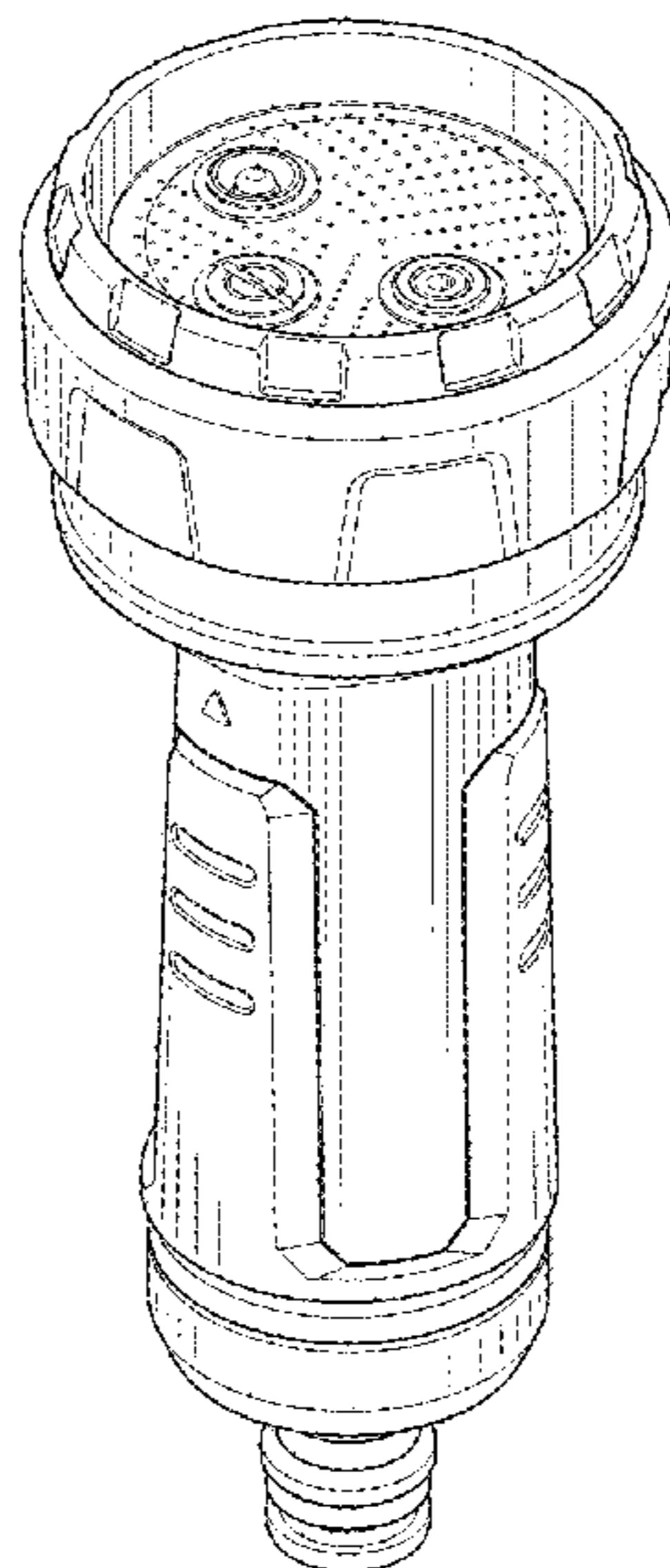
U.S. PATENT DOCUMENTS

D487,498 S *	3/2004	Blomstrom	D23/213
D508,730 S *	8/2005	Blomstrom	D23/229
D524,412 S *	7/2006	Blomstrom	D23/229
D680,619 S *	4/2013	Zhadanov	D23/223
D681,776 S *	5/2013	Cutler	D23/223
D694,357 S *	11/2013	Brodey	D23/213
D694,359 S *	11/2013	Schoenherr	D23/213
D707,330 S *	6/2014	Schoenherr	D23/223
D713,004 S *	9/2014	Schoenherr	D23/223
D713,496 S *	9/2014	Schoenherr	D23/213

DESCRIPTION

FIG. 1 is a perspective view of a sprinkler showing my new design;
 FIG. 2 is a front view thereof;
 FIG. 3 is a rear view thereof;
 FIG. 4 is a left view thereof;
 FIG. 5 is a right view thereof;
 FIG. 6 is a top view thereof; and,
 FIG. 7 is a bottom view thereof.

1 Claim, 6 Drawing Sheets



(56)

References Cited

U.S. PATENT DOCUMENTS

D820,388 S *	6/2018	Seum	D23/213
D820,949 S *	6/2018	Reinecker	D23/213
D821,542 S *	6/2018	Reinecker	D23/213
D824,485 S *	7/2018	Montoya	D23/213
D833,575 S *	11/2018	Soulier	D23/223
D839,384 S *	1/2019	Svendsen	D23/213
D840,503 S *	2/2019	Stein	D23/213
D841,121 S *	2/2019	Kiefer	D23/213
D841,125 S *	2/2019	Lai	D23/223
D842,429 S *	3/2019	Huang	D23/213
D842,430 S *	3/2019	Huang	D23/213
D842,431 S *	3/2019	Cacka	D23/213
D842,967 S *	3/2019	Farley	D23/213

* cited by examiner

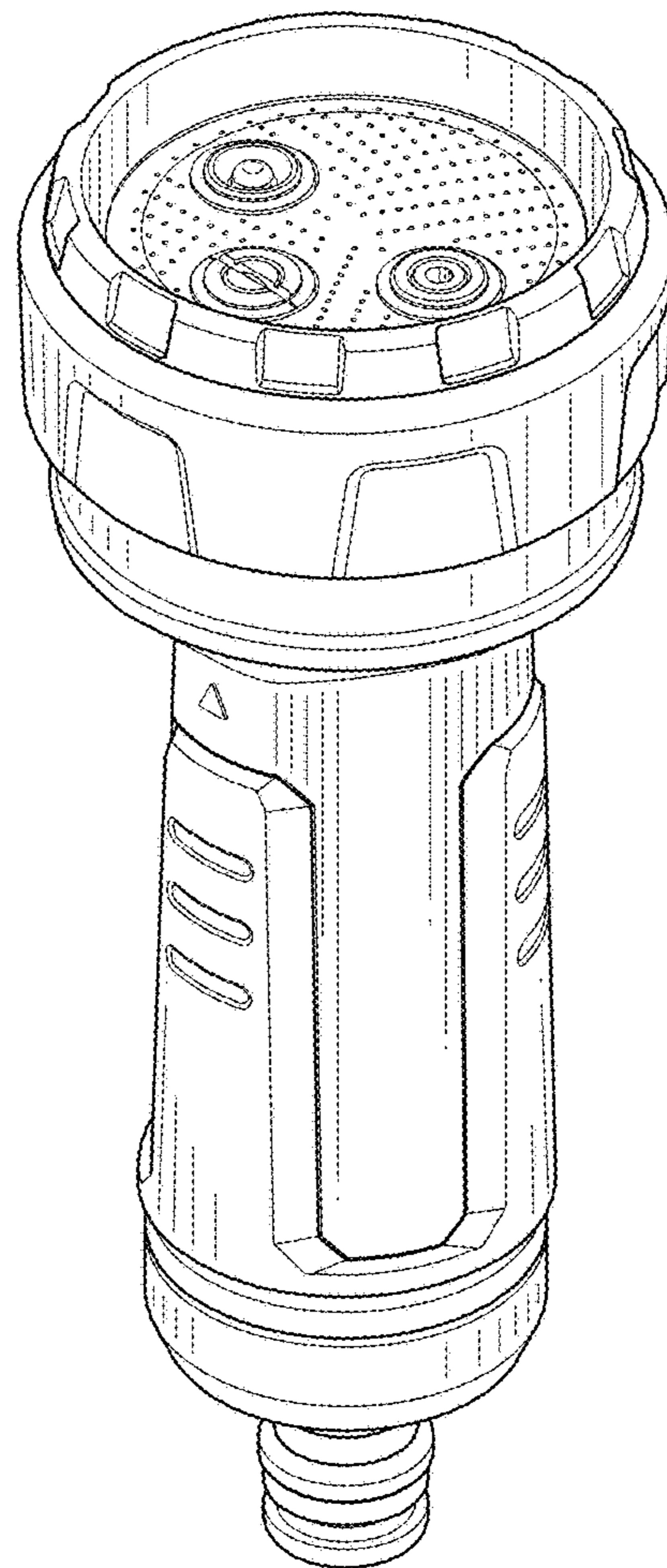


FIG. 1

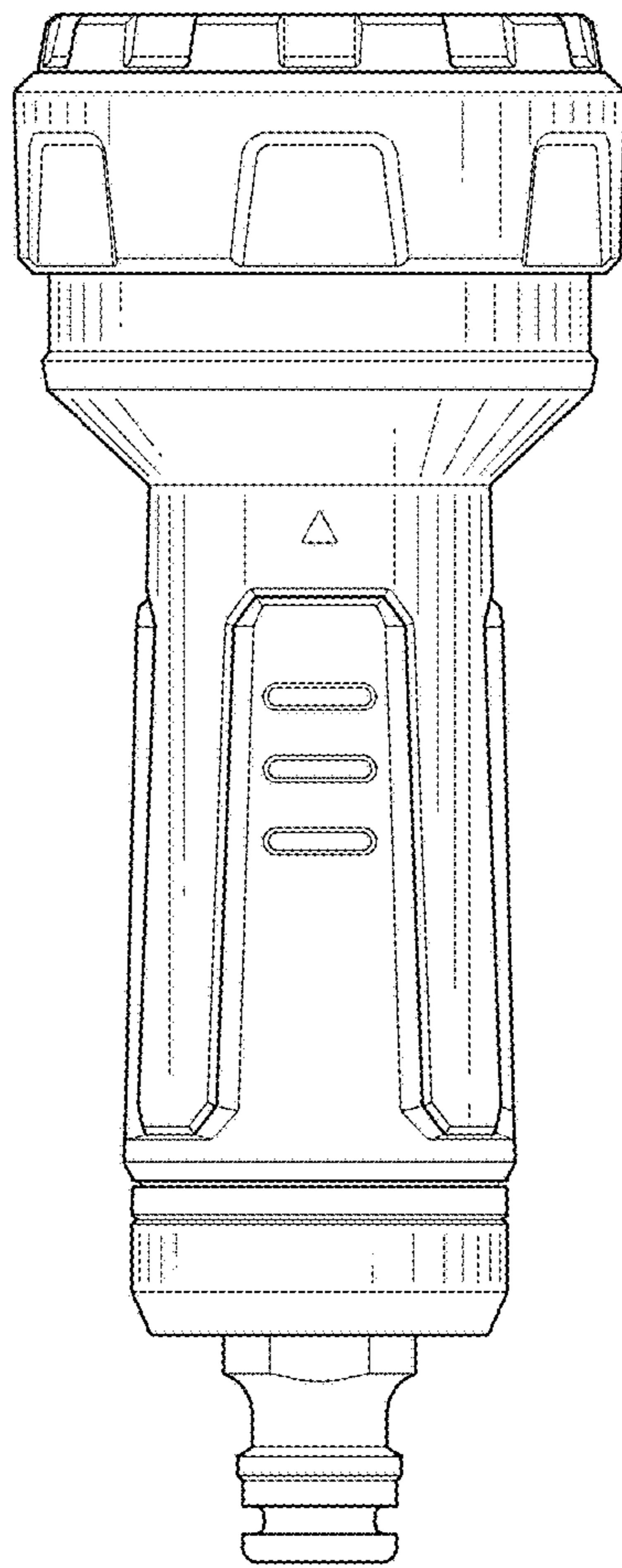


FIG. 2

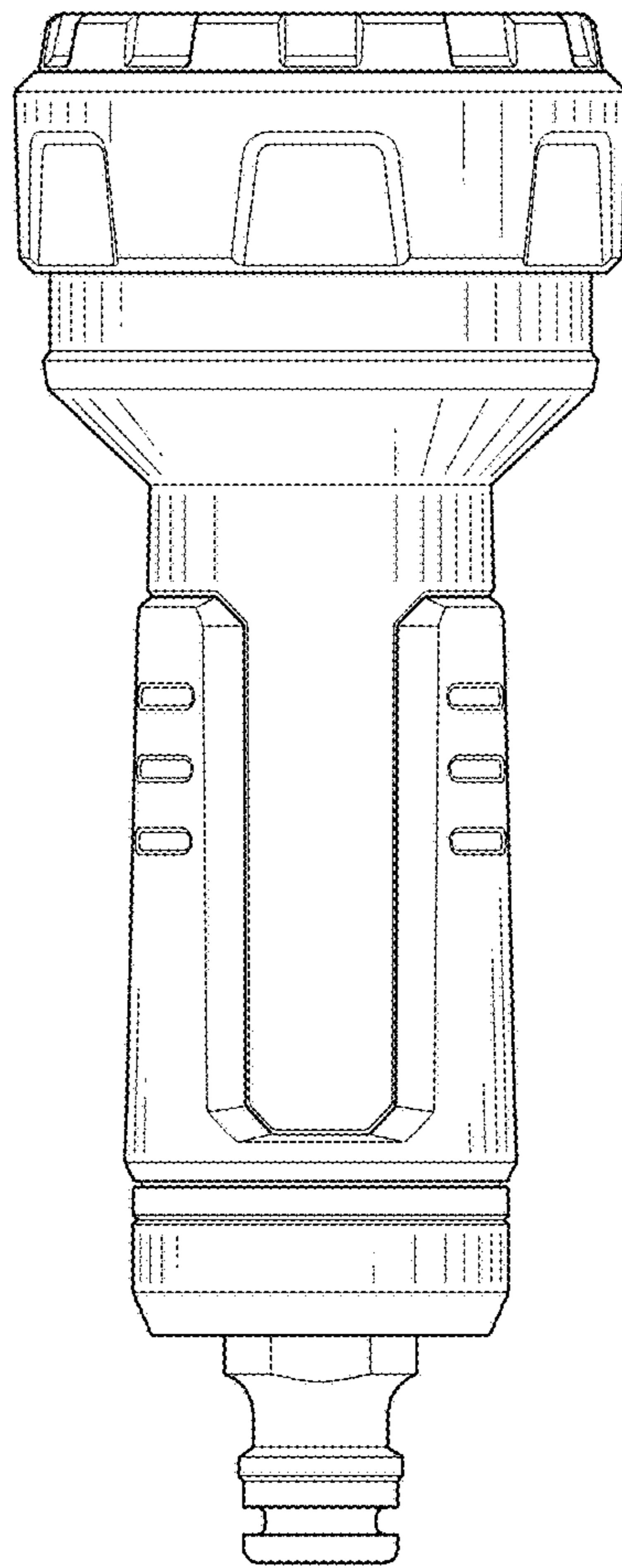


FIG. 3

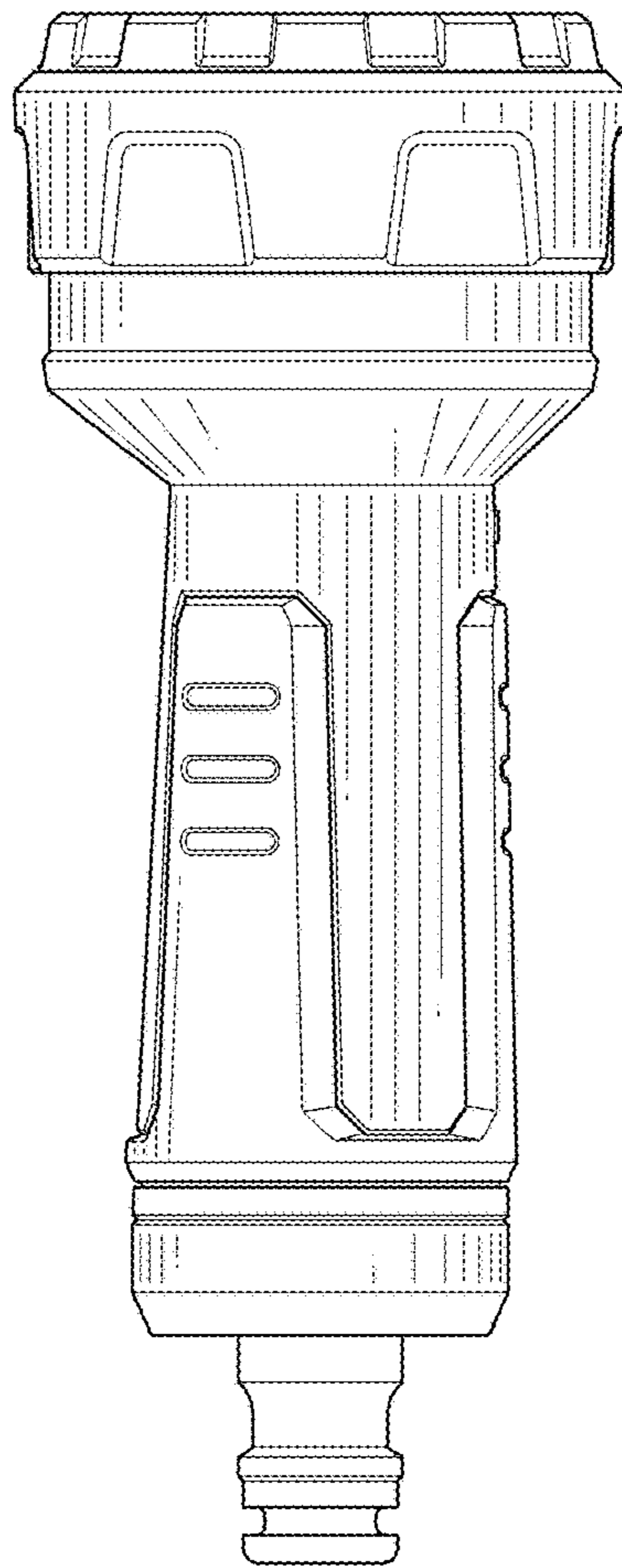


FIG. 4

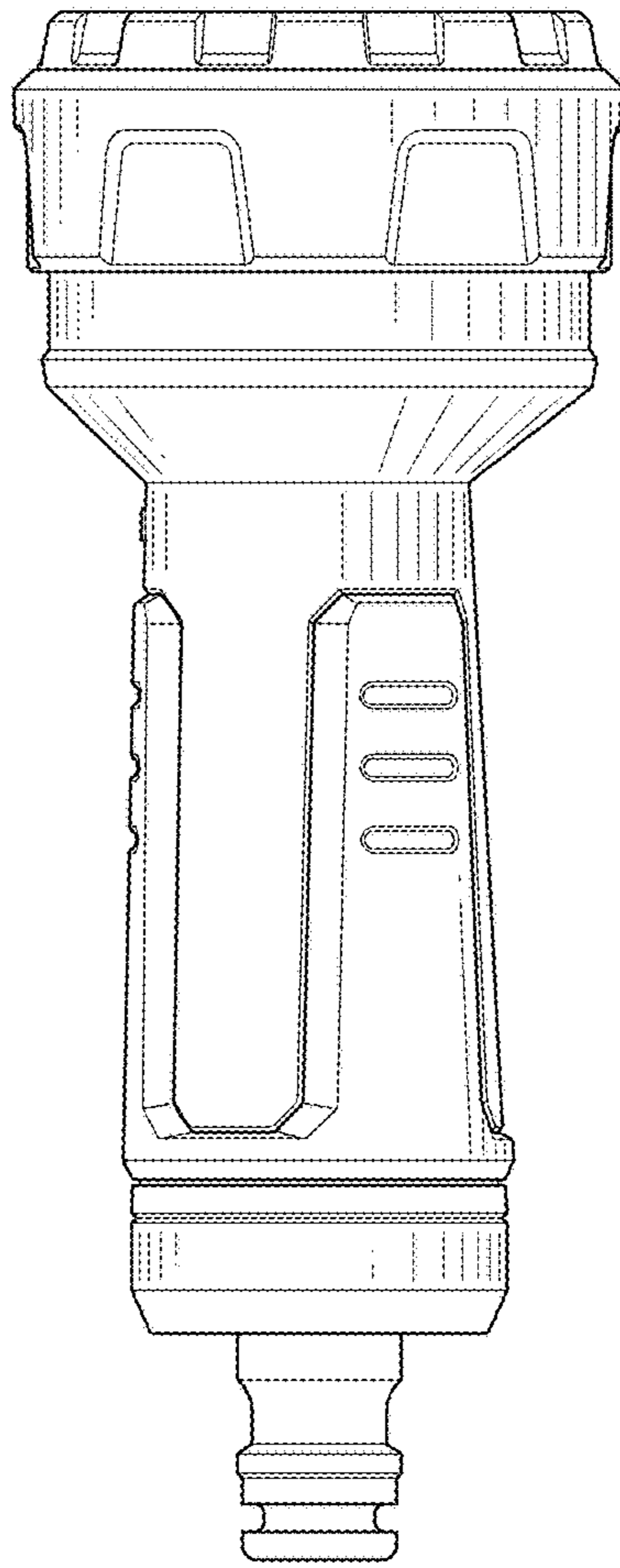


FIG. 5

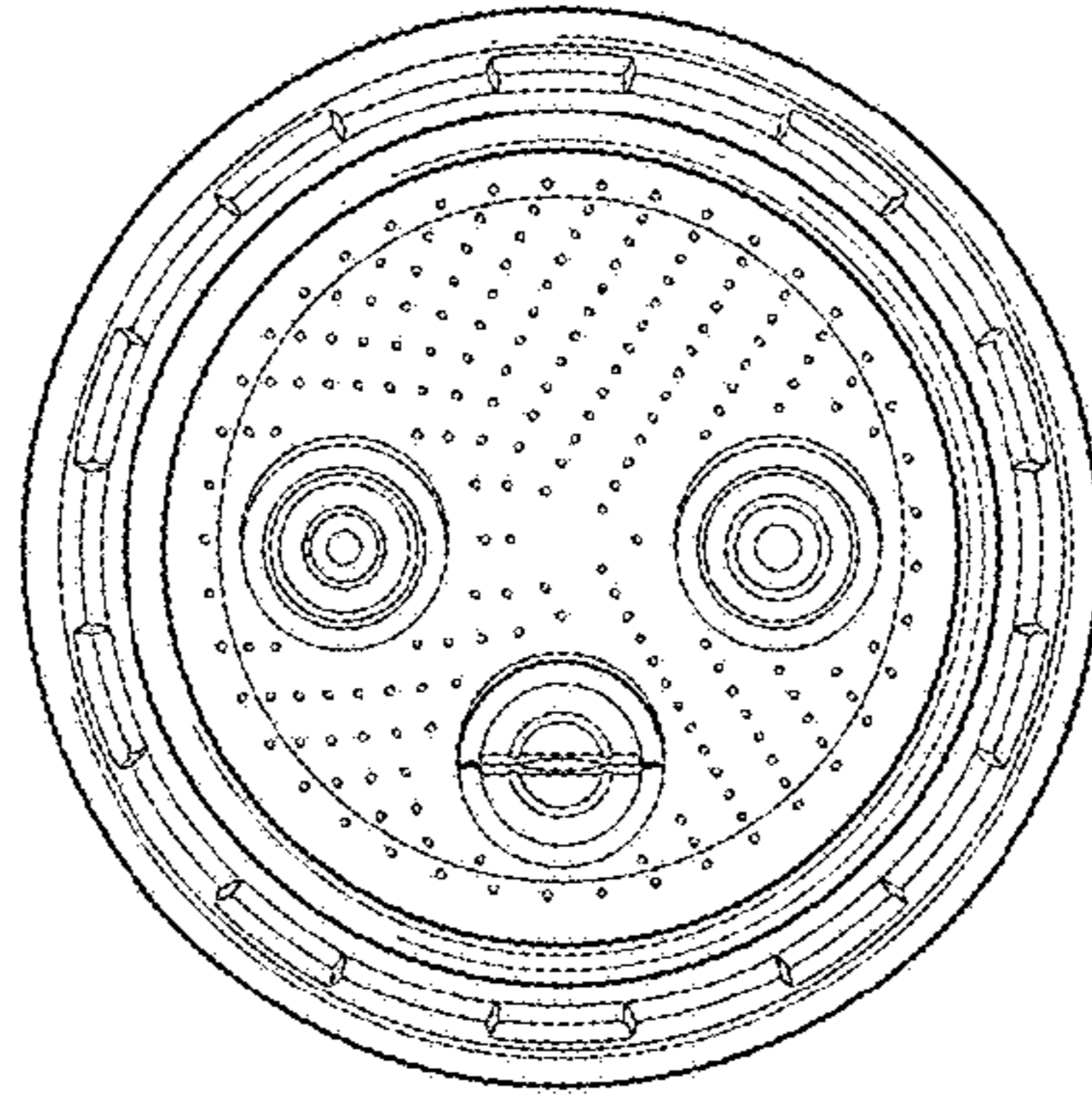


FIG. 6

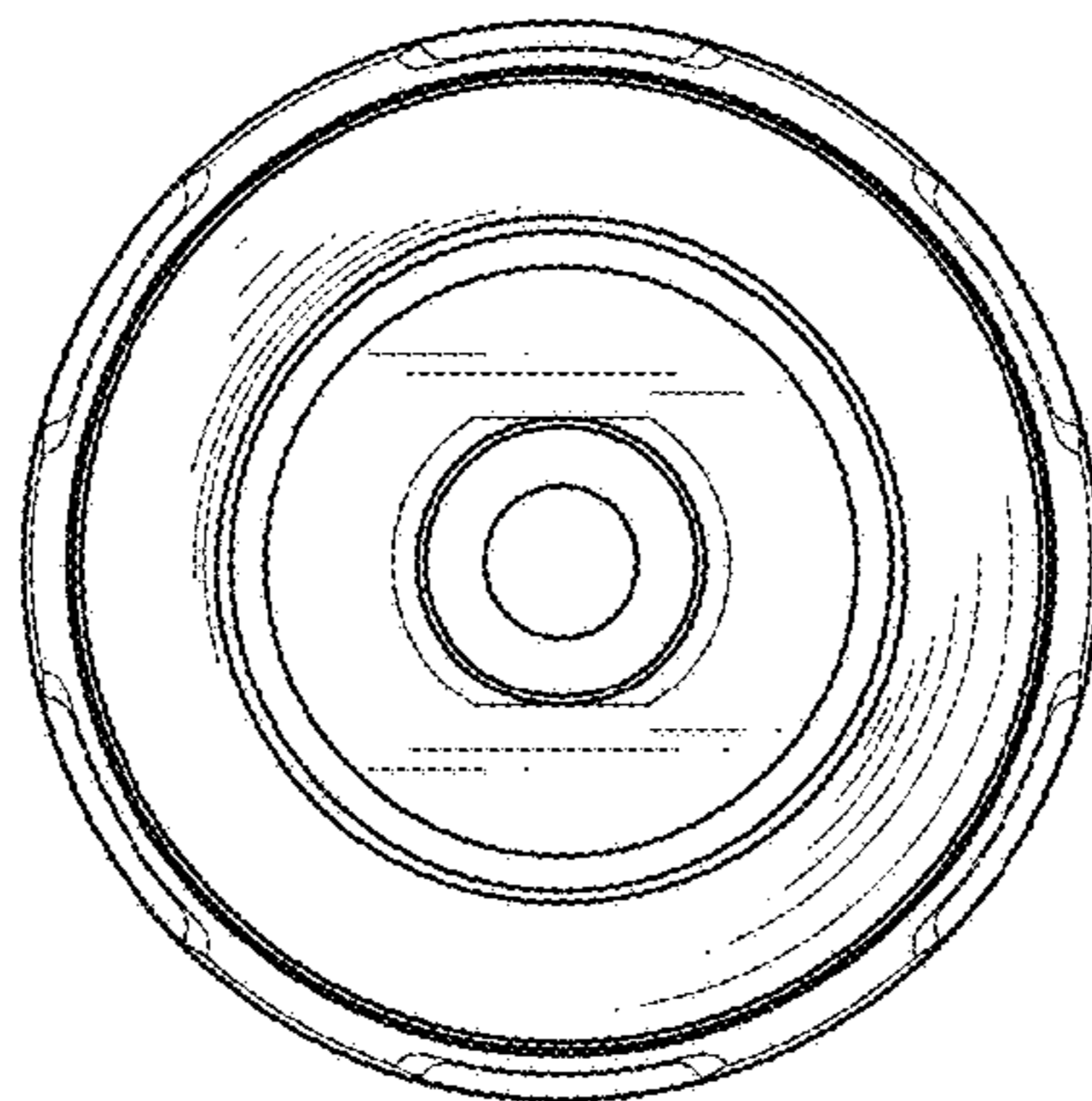


FIG. 7