



US00D865907S

(12) **United States Design Patent**  
**Wagner**

(10) **Patent No.:** **US D865,907 S**

(45) **Date of Patent:** **\*\* Nov. 5, 2019**

- (54) **TUBE FOR A FISHING POLE**
- (71) Applicant: **Steve V. Wagner**, Riverside, CA (US)
- (72) Inventor: **Steve V. Wagner**, Riverside, CA (US)
- (\*\*) Term: **15 Years**
- (21) Appl. No.: **29/687,826**
- (22) Filed: **Apr. 16, 2019**

6,067,740 A \* 5/2000 Alley ..... A01K 87/06  
43/20

6,105,301 A 8/2000 Ohmura  
6,295,755 B1 10/2001 Macaluso  
6,357,639 B1 3/2002 Williams  
6,381,898 B1 \* 5/2002 Lee ..... A01K 87/06  
43/22

6,493,982 B1 12/2002 Macaluso  
6,748,691 B2 6/2004 Doucette  
D516,665 S \* 3/2006 Lin ..... D22/142  
D589,112 S \* 3/2009 Lin ..... D22/142  
7,533,485 B2 5/2009 Nyland  
D607,533 S \* 1/2010 Ezuka ..... D22/142  
7,707,766 B2 5/2010 Millen et al.  
8,307,579 B2 11/2012 Nyland

**Related U.S. Application Data**

- (63) Continuation-in-part of application No. PCT/US2019/018633, filed on Feb. 19, 2019, which is a continuation-in-part of application No. 16/215,494, filed on Dec. 10, 2018, now Pat. No. 10,244,746.
- (51) **LOC (12) Cl.** ..... **22-05**
- (52) **U.S. Cl.**  
USPC ..... **D22/142**
- (58) **Field of Classification Search**  
USPC .... D22/142–143, 137–138; 43/18.1 R, 18.5,  
43/20, 21.2, 22–23, 25.2  
CPC ..... A01K 77/00; A01K 87/06; A01K 87/08  
See application file for complete search history.

(56) **References Cited**

**U.S. PATENT DOCUMENTS**

2,158,104 A 5/1939 Bowen  
2,244,408 A 6/1941 Thompson  
3,367,056 A 2/1968 Johnson  
4,190,977 A 3/1980 Casper  
4,216,603 A \* 8/1980 Takeuchi ..... A01K 87/06  
43/22

4,485,580 A 12/1984 Ohmura  
4,539,773 A 9/1985 Eldridge  
4,756,114 A 7/1988 Ohmura  
4,802,299 A 2/1989 Ohmura  
6,065,240 A 5/2000 Paddock

(Continued)

*Primary Examiner* — Catherine R Oliver-Garcia  
(74) *Attorney, Agent, or Firm* — Kirk A. Buhler; Buhler & Associates Patenting

(57) **CLAIM**

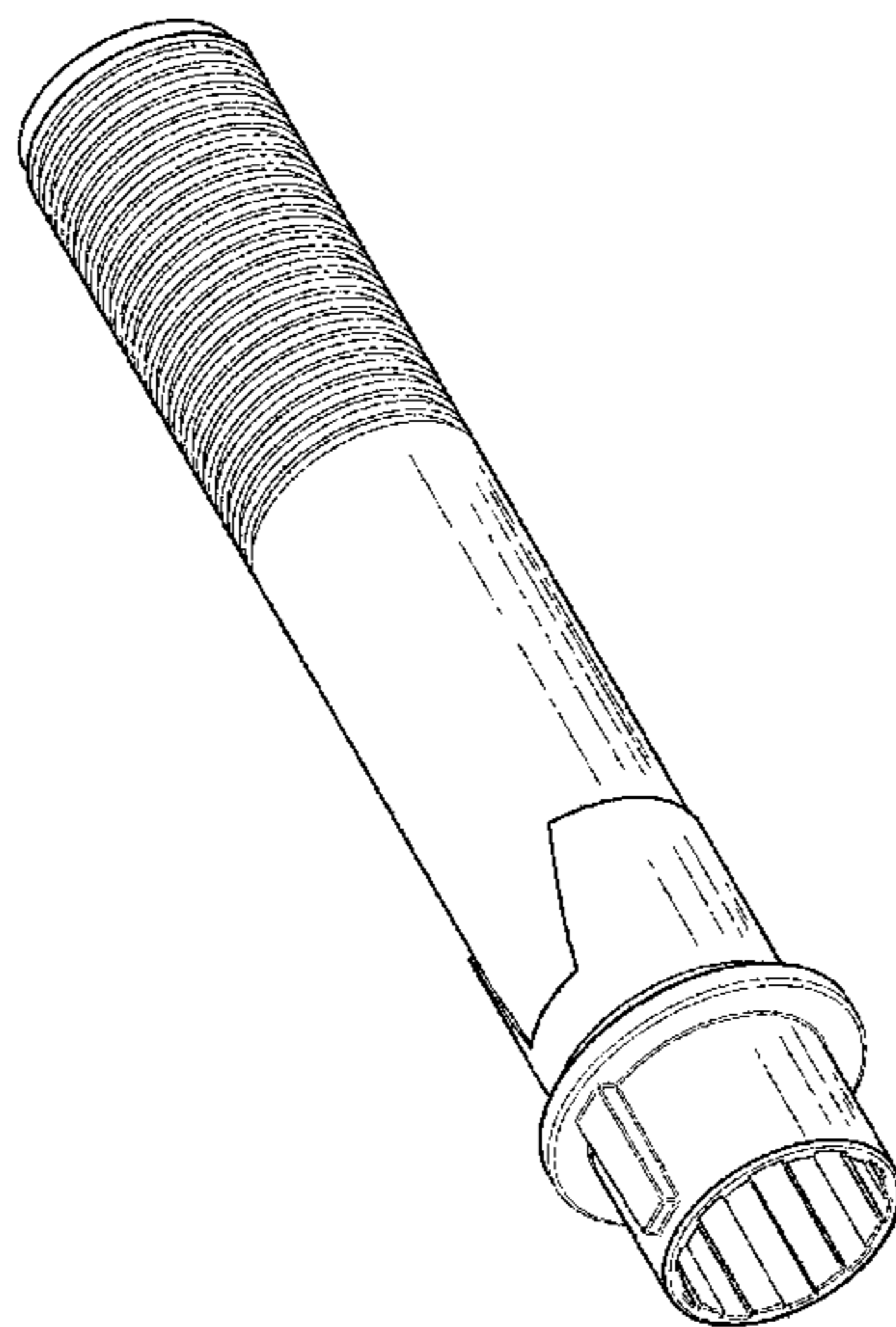
The ornamental design for a tube for a fishing pole, as shown and described.

**DESCRIPTION**

FIG. 1 is a top perspective view of a tube for a fishing pole; FIG. 2 is a top plan view thereof; FIG. 3 is a bottom plan view thereof; FIG. 4 is a left side elevation view thereof; FIG. 5 is a right side elevation view thereof; FIG. 6 is a left sectional view taken along lines 6-6 from FIG. 7 thereof; FIG. 7 is a front elevation view thereof; FIG. 8 is a rear elevation view thereof; FIG. 9 is a rear perspective view thereof; and, FIG. 10 is a top perspective view, shown in its environment of use.

The broken lines in FIG. 10 depict environmental subject matter and form no part of the claimed design.

**1 Claim, 6 Drawing Sheets**



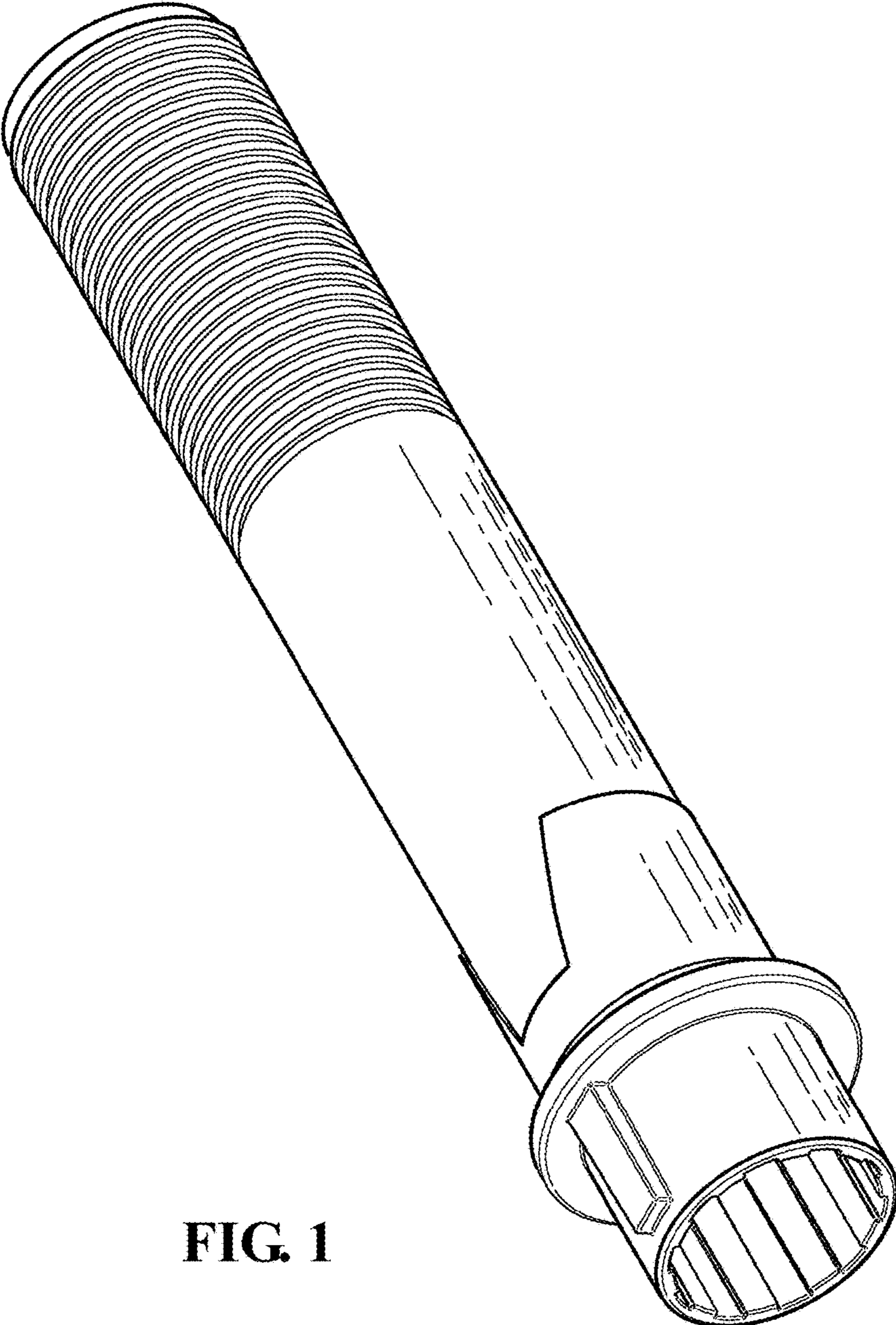
(56)

**References Cited**

U.S. PATENT DOCUMENTS

D672,429	S	*	12/2012	Lin	.....	D22/142
9,220,248	B2		12/2015	McCord		
D767,088	S	*	9/2016	Lin	.....	D22/142
10,179,401	B2		1/2019	Nyland		
2014/0250630	A1		9/2014	Nugent		

\* cited by examiner



**FIG. 1**

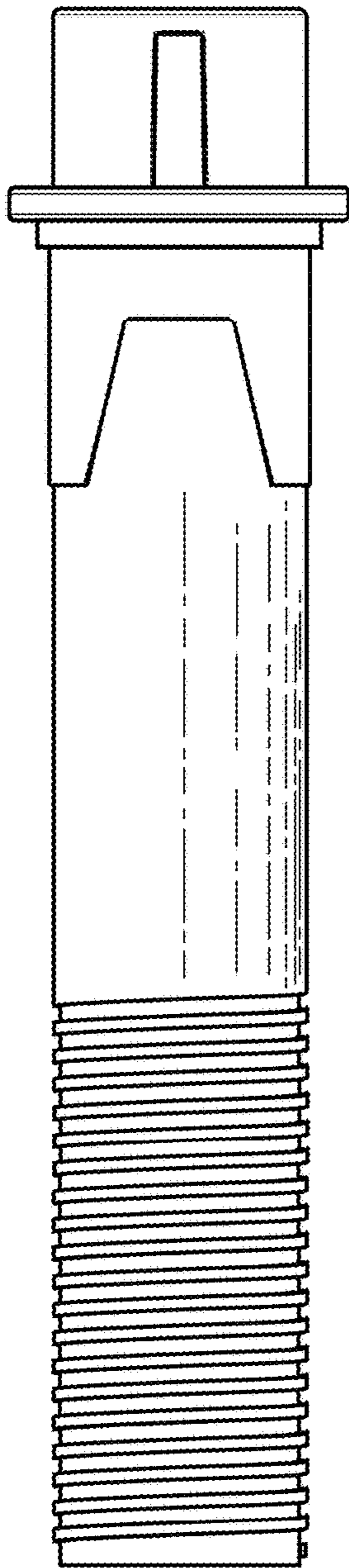


FIG. 2

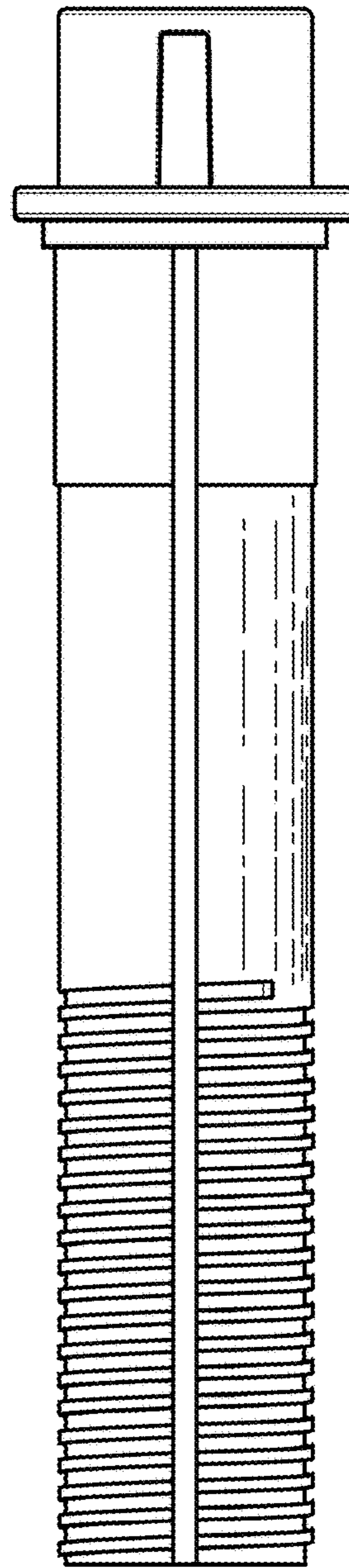


FIG. 3



FIG. 4

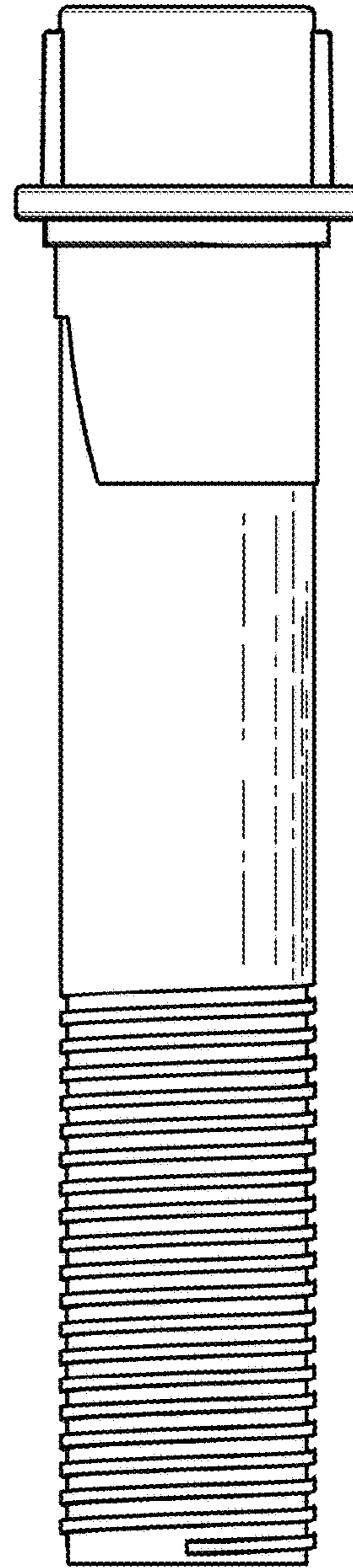


FIG. 5

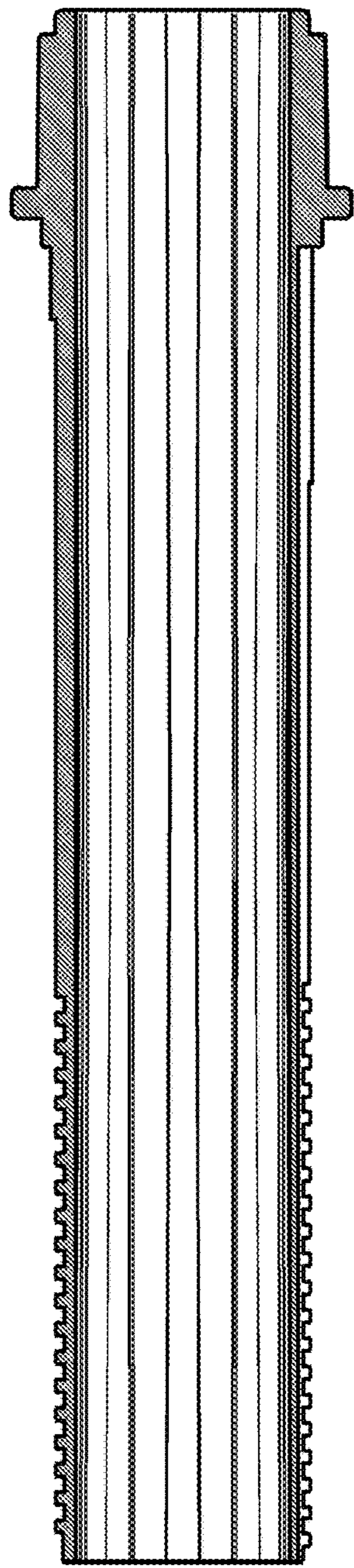


FIG. 6

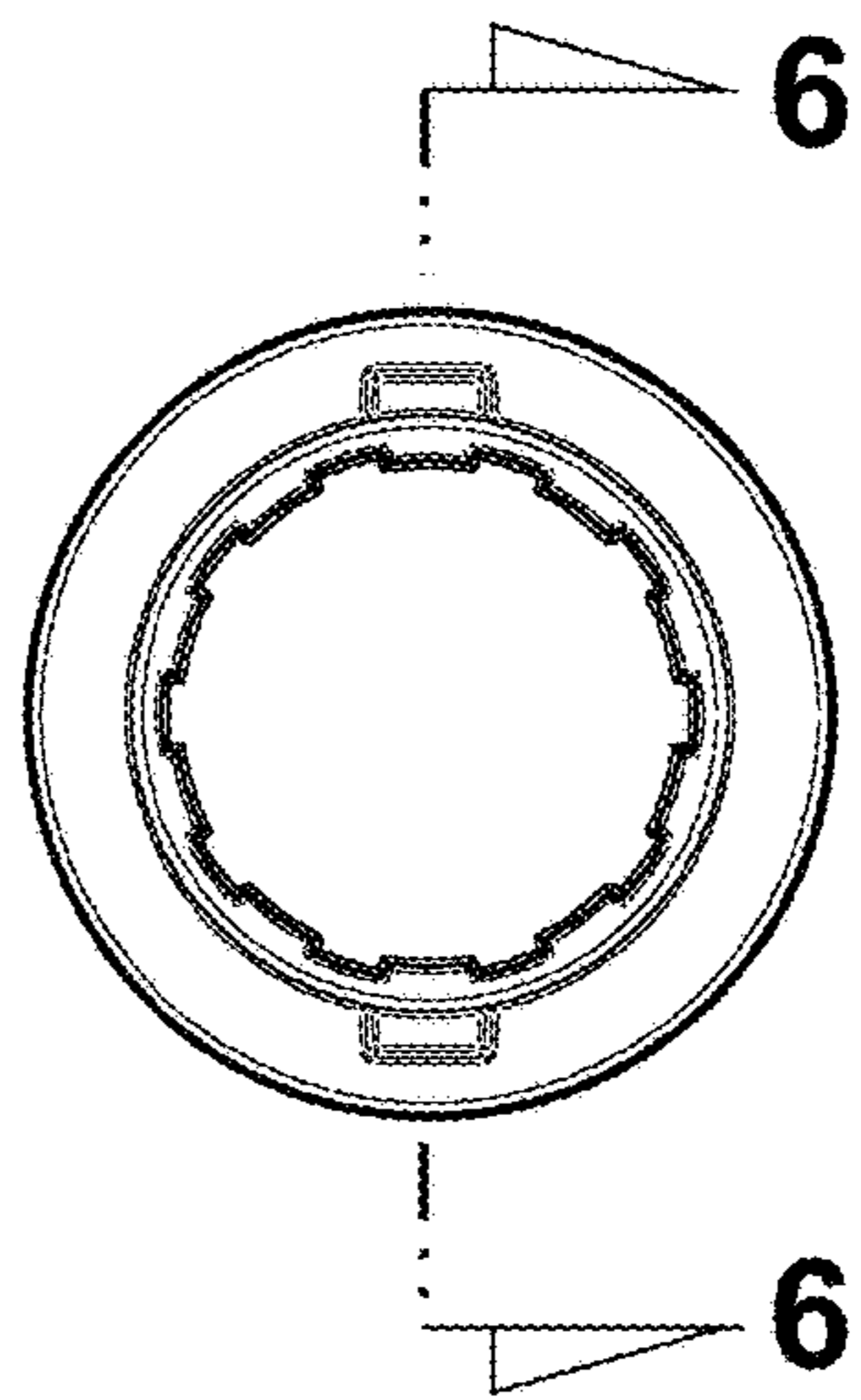


FIG. 7

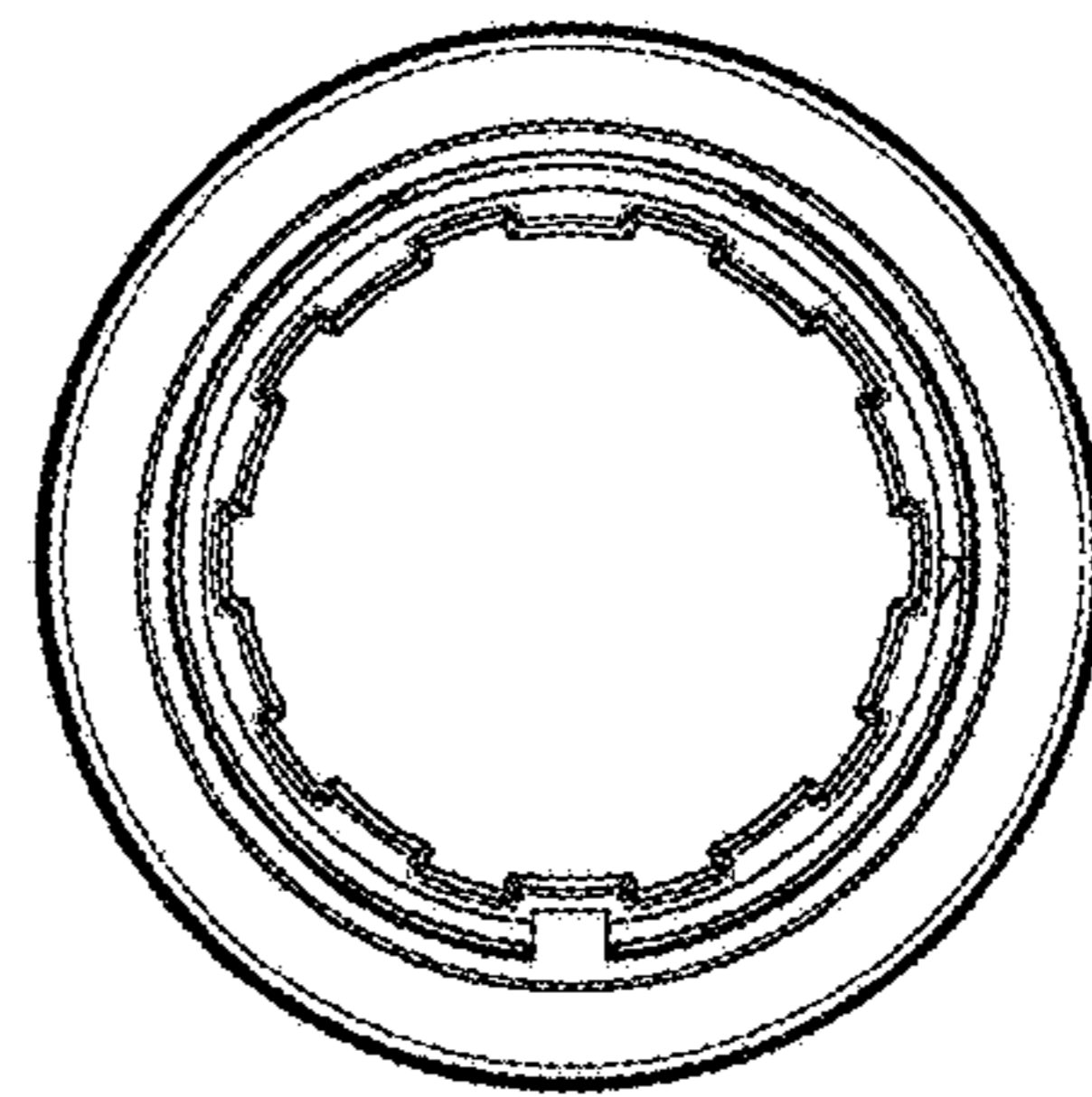


FIG. 8

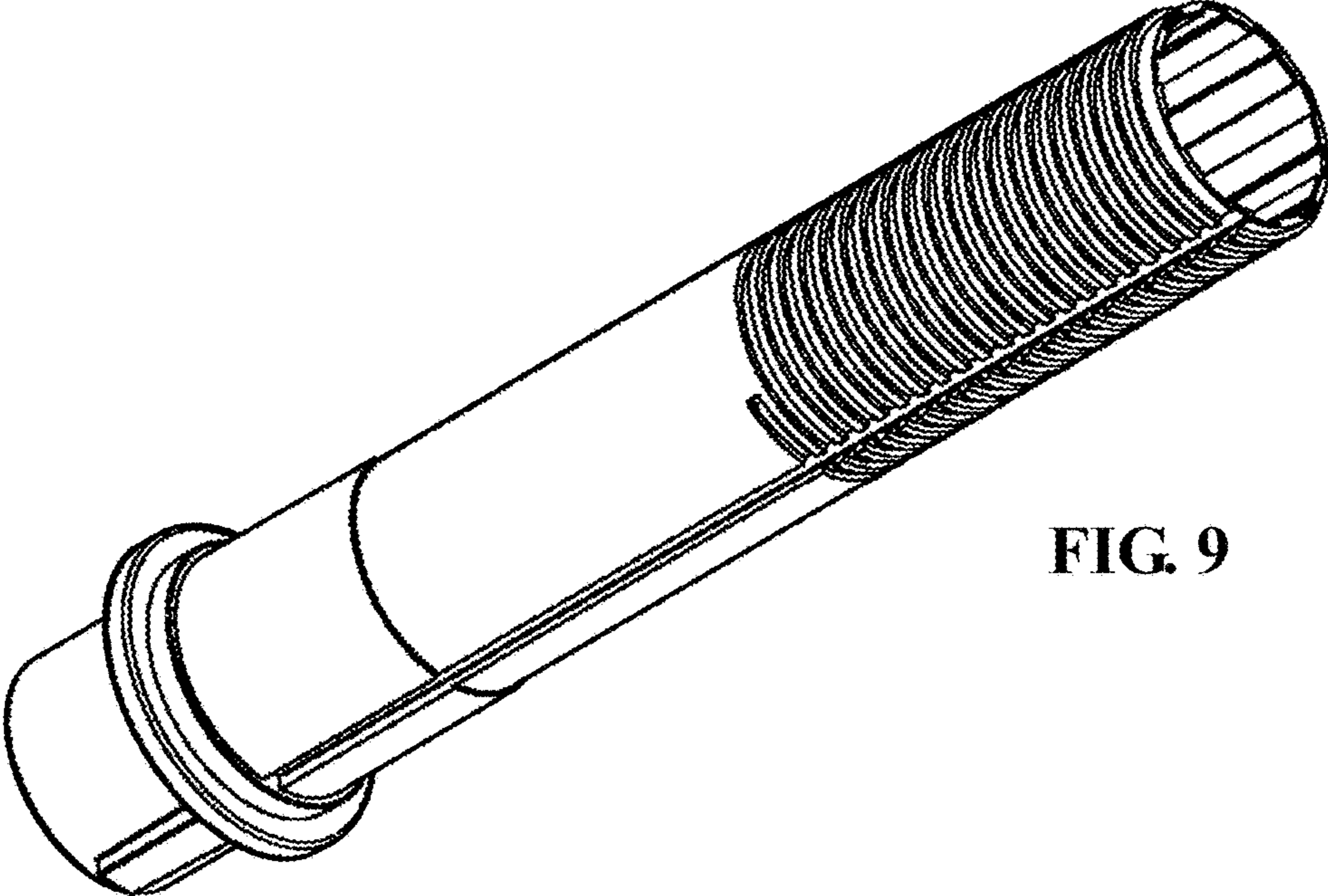


FIG. 9

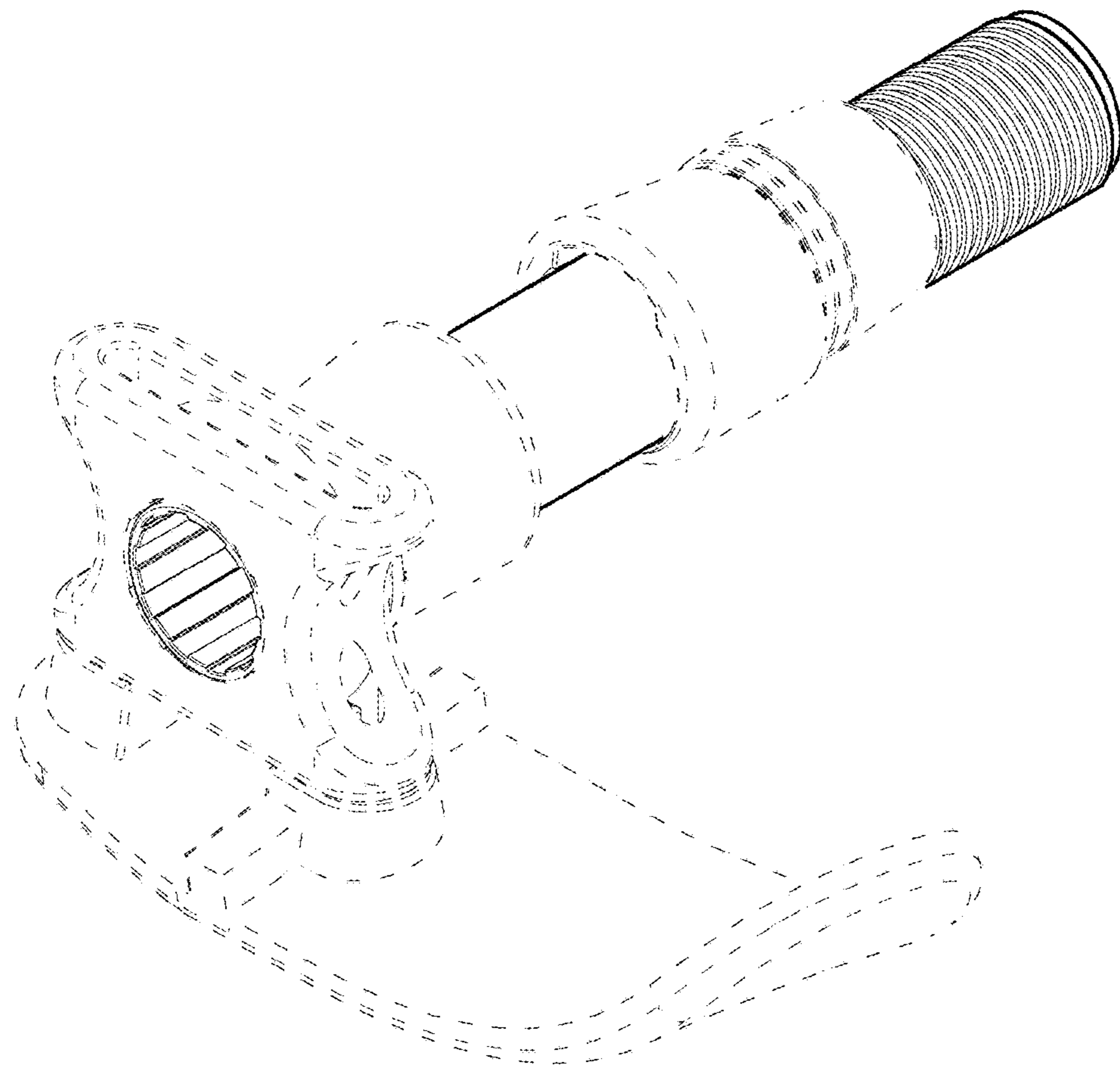


FIG. 10