



US00D865906S

(12) **United States Design Patent**
Wagner

(10) **Patent No.:** **US D865,906 S**

(45) **Date of Patent:** **** Nov. 5, 2019**

(54) **ARM REST FOR A FISHING POLE**

6,493,982 B1 12/2002 Macaluso

6,748,691 B2 6/2004 Doucette

7,533,485 B2 5/2009 Nyland

(Continued)

(71) Applicant: **Steve V. Wagner**, Riverside, CA (US)

(72) Inventor: **Steve V. Wagner**, Riverside, CA (US)

(**) Term: **15 Years**

Primary Examiner — Catherine R Oliver-Garcia

(74) *Attorney, Agent, or Firm* — Kirk A. Buhler; Buhler & Associates Patenting

(21) Appl. No.: **29/687,823**

(57) **CLAIM**

(22) Filed: **Apr. 16, 2019**

The ornamental design for an arm rest for a fishing pole, as shown and described.

DESCRIPTION

Related U.S. Application Data

(63) Continuation-in-part of application No. PCT/US2019/018633, filed on Feb. 19, 2019, which is a continuation-in-part of application No. 16/215,494, filed on Dec. 10, 2018, now Pat. No. 10,244,746.

(51) **LOC (12) Cl.** **22-05**

(52) **U.S. Cl.**
USPC **D22/142**

(58) **Field of Classification Search**
USPC D22/142, 137–138; 43/18.1 R, 21.2, 43/22–23, 25.2
CPC A01K 77/00; A01K 87/06; A01K 87/08
See application file for complete search history.

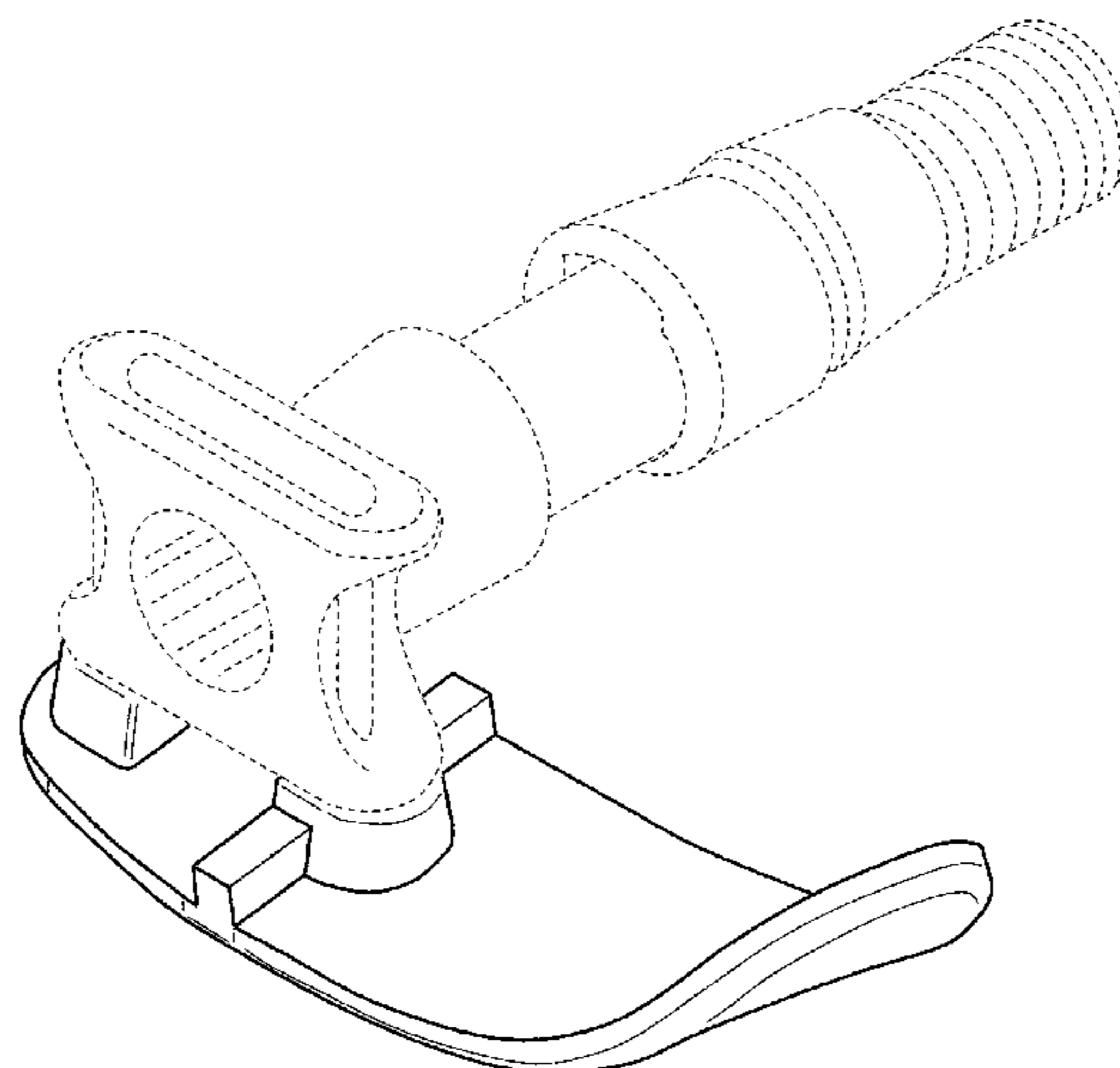
(56) **References Cited**

U.S. PATENT DOCUMENTS

2,158,104 A	5/1939	Bowen
2,244,408 A	6/1941	Thompson
3,367,056 A	2/1968	Johnson
4,190,977 A	3/1980	Casper
4,485,580 A	12/1984	Ohmura
4,539,773 A	9/1985	Eldridge
4,756,114 A	7/1988	Ohmura
4,802,299 A	2/1989	Ohmura
6,065,240 A	5/2000	Paddock
6,105,301 A	8/2000	Ohmura
6,295,755 B1	10/2001	Macaluso
6,357,639 B1	3/2002	Williams

FIG. 1 is a top perspective view of an arm rest for a fishing pole, showing my new design in its environment of use; FIG. 2 is a front elevation view thereof; FIG. 3 is a rear elevation view thereof; FIG. 4 is a top plan view thereof; FIG. 5 is a bottom view thereof; FIG. 6 is a left side elevation view thereof; FIG. 7 is a right side elevation view thereof; FIG. 8 is a top front perspective view thereof; FIG. 9 is an alternative top perspective view of an arm rest for a fishing pole, in its environment of use thereof; FIG. 10 is a front elevation view of the alternate embodiment thereof; FIG. 11 is a rear elevation view of the alternate embodiment thereof; FIG. 12 is a top plan view of the alternate embodiment thereof; FIG. 13 is a bottom view of the alternate embodiment thereof; FIG. 14 is a right side elevation view of the alternate embodiment thereof; FIG. 15 is a left side elevation view t of the alternate embodiment hereof; and, FIG. 16 is a bottom perspective view of the alternate embodiment. The broken lines in FIGS. 1 and 9 depict environmental subject matter and form no part of the claimed design.

1 Claim, 8 Drawing Sheets



(56)

References Cited

U.S. PATENT DOCUMENTS

7,707,766	B2	5/2010	Millen et al.
8,307,579	B2	11/2012	Nyland
9,220,248	B2	12/2015	McCord
10,179,401	B2	1/2019	Nyland
2014/0250630	A1	9/2014	Nugent

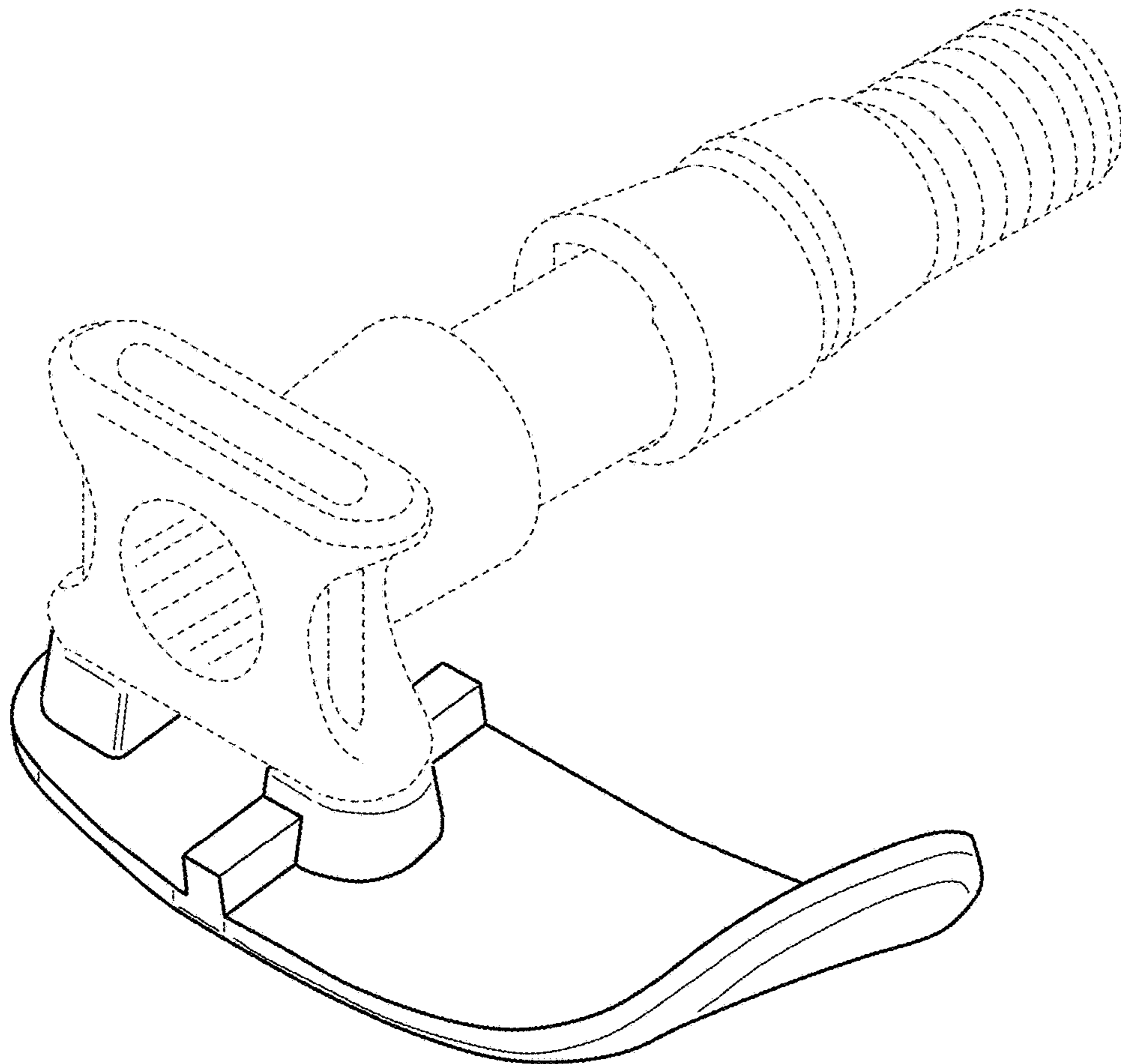


FIG. 1

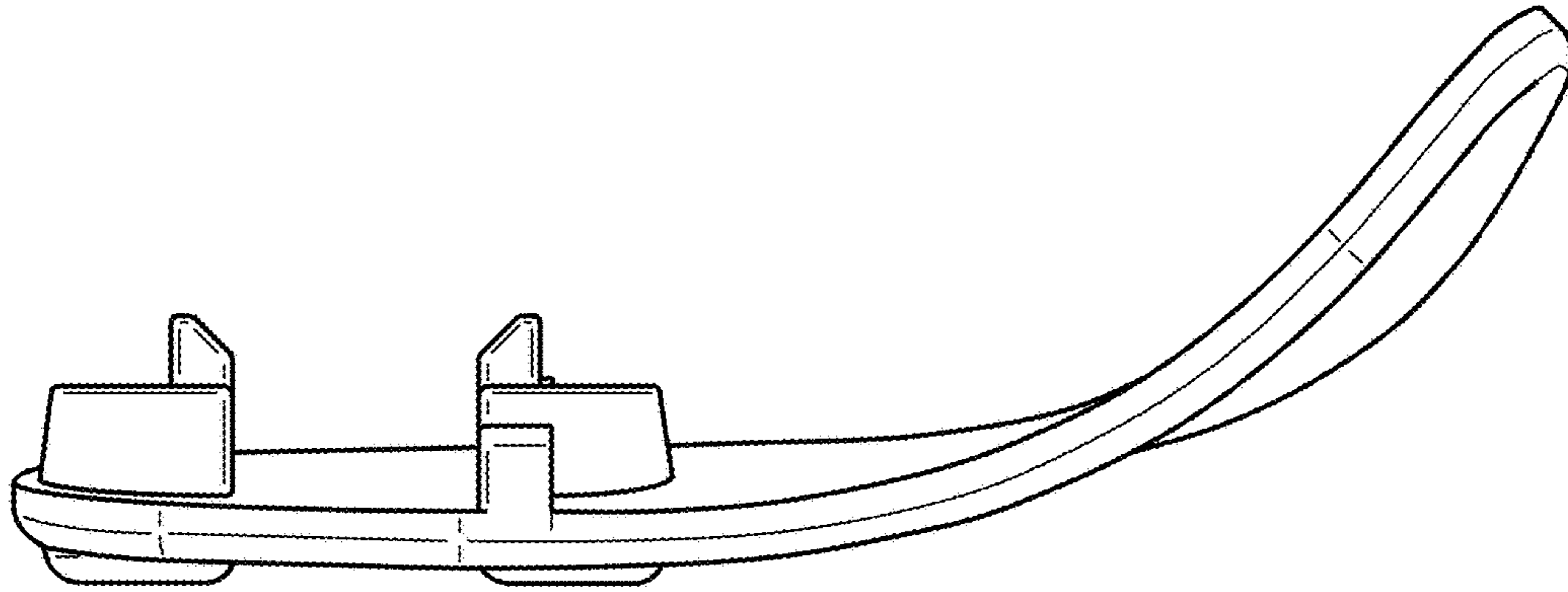


FIG. 2

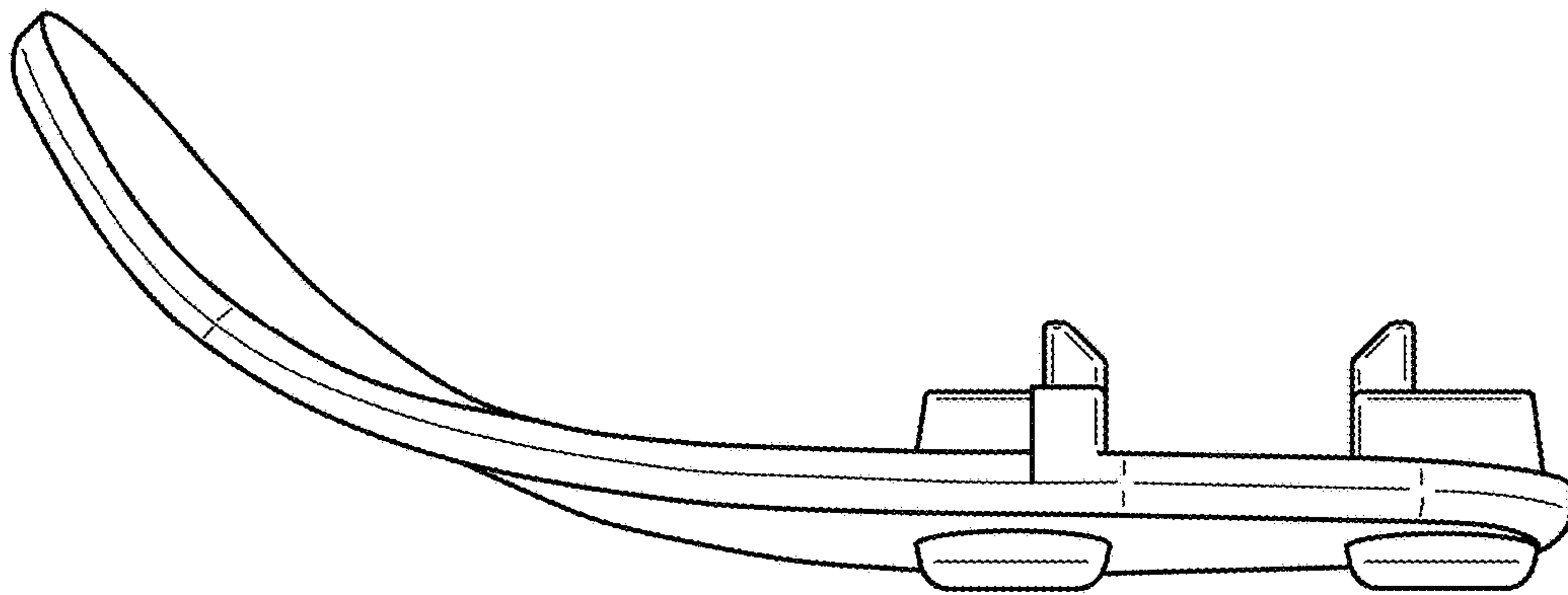


FIG. 3

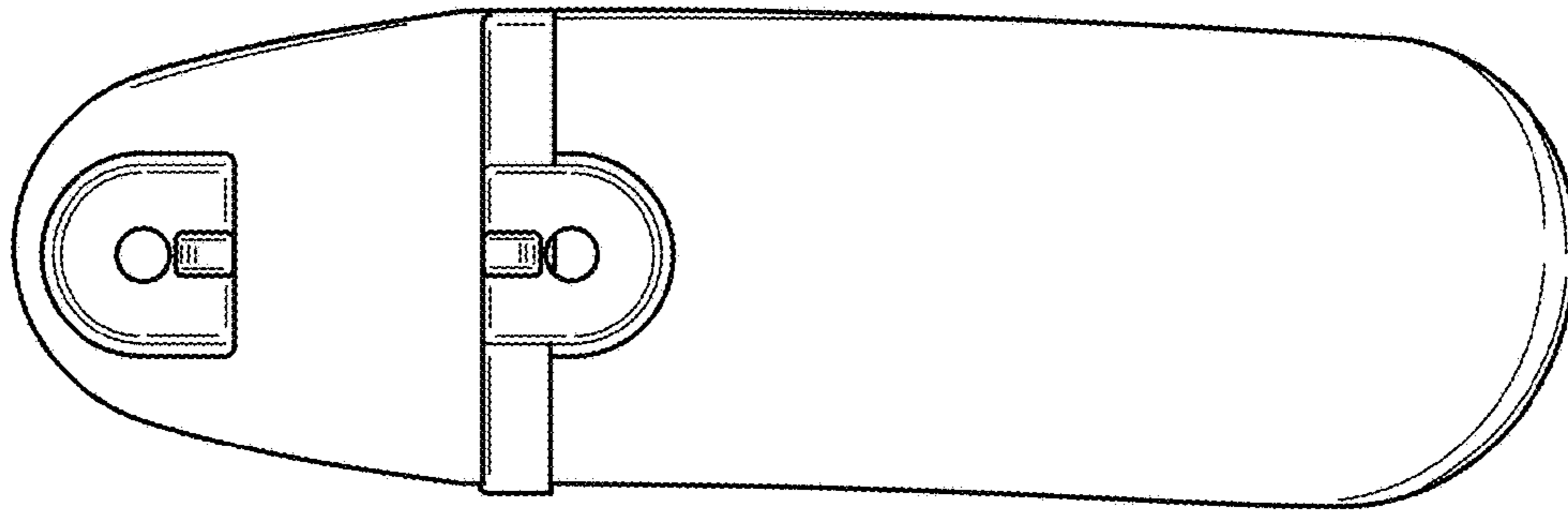


FIG. 4

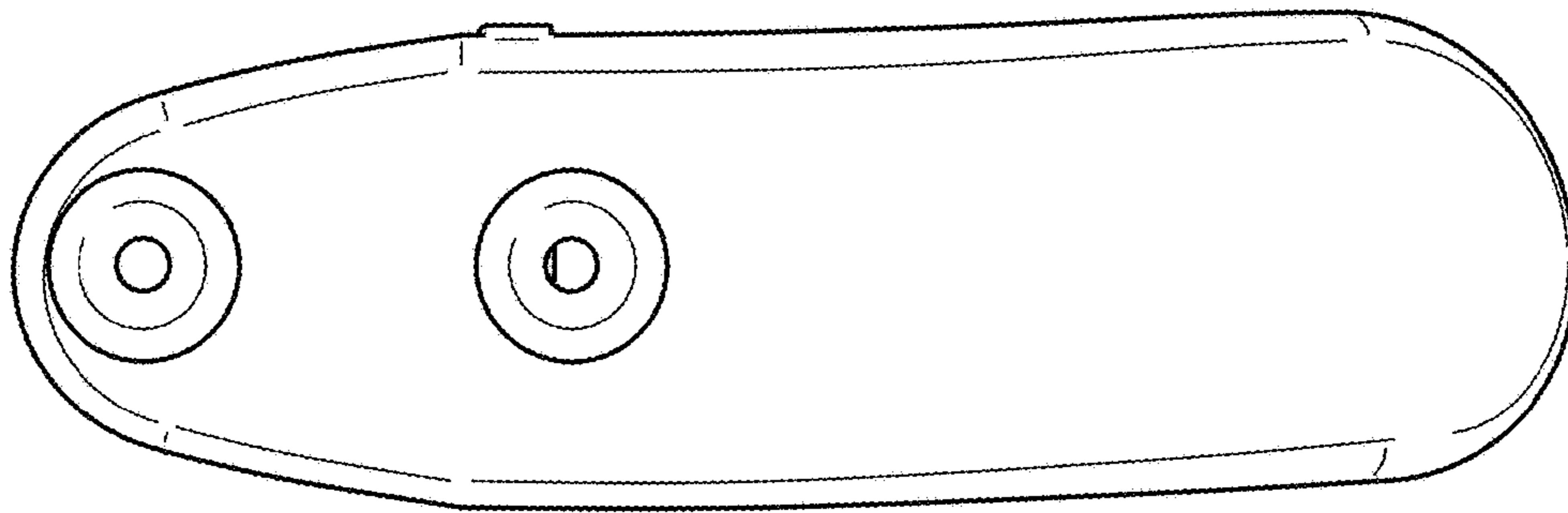


FIG. 5

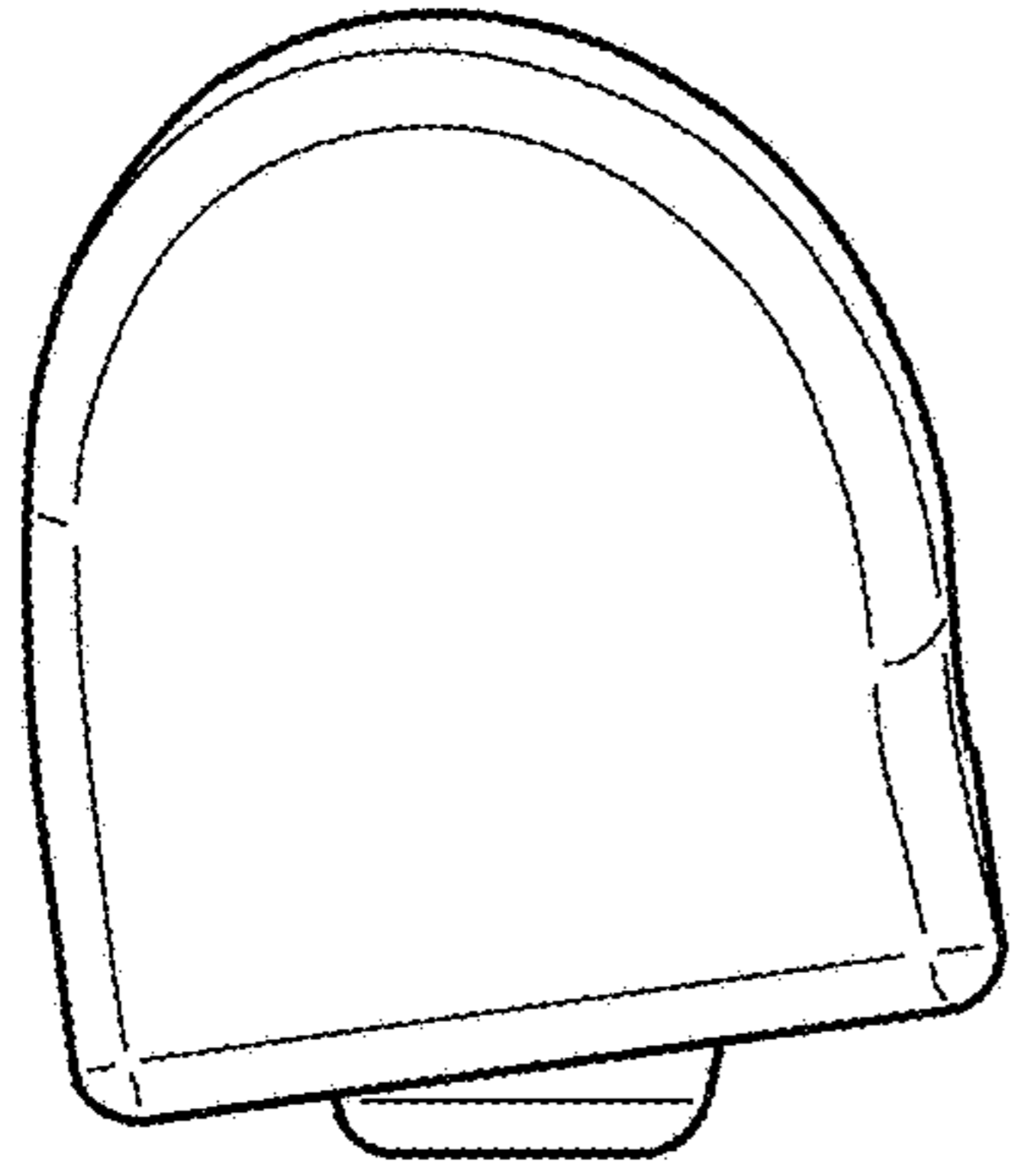


FIG. 6

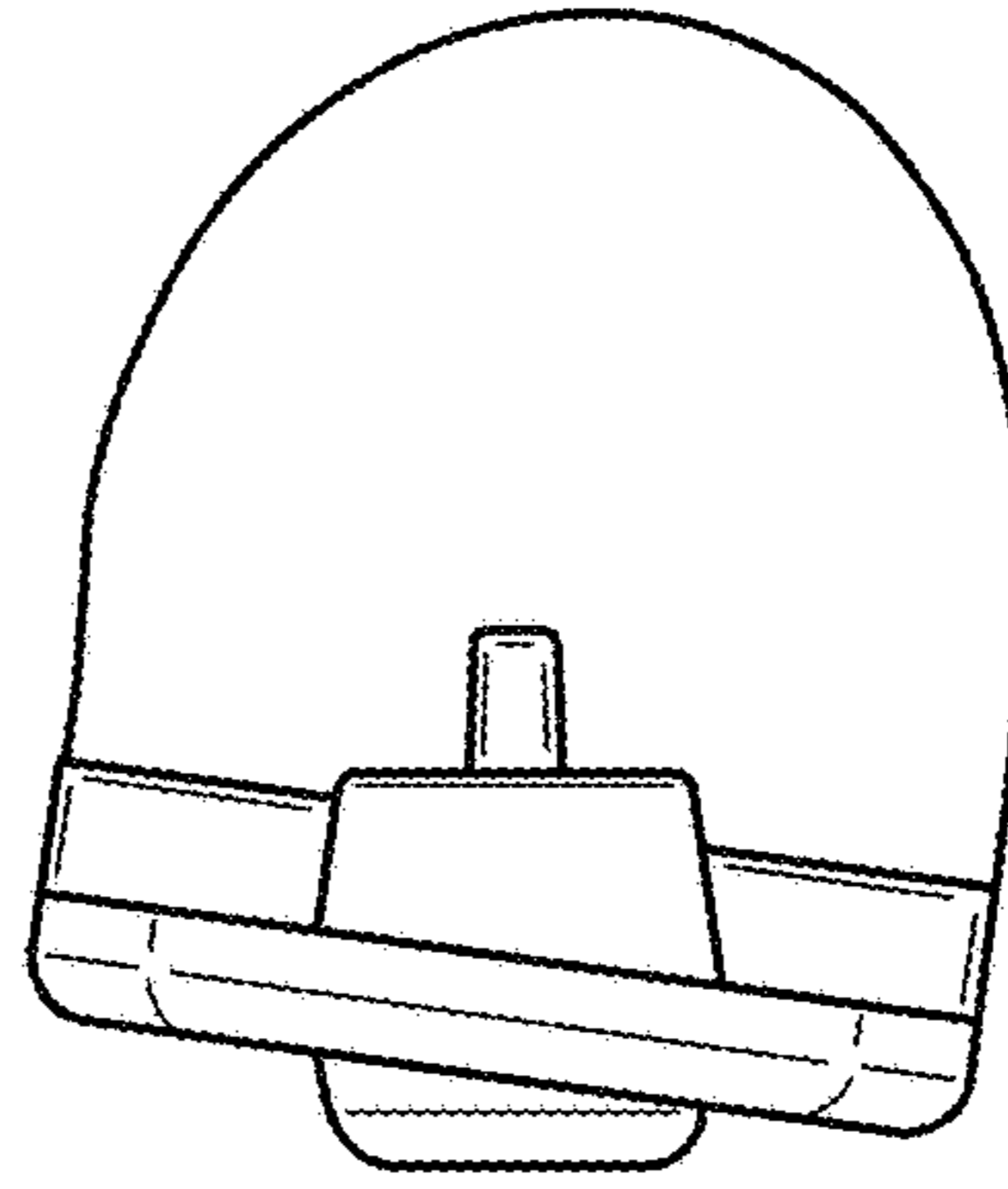


FIG. 7

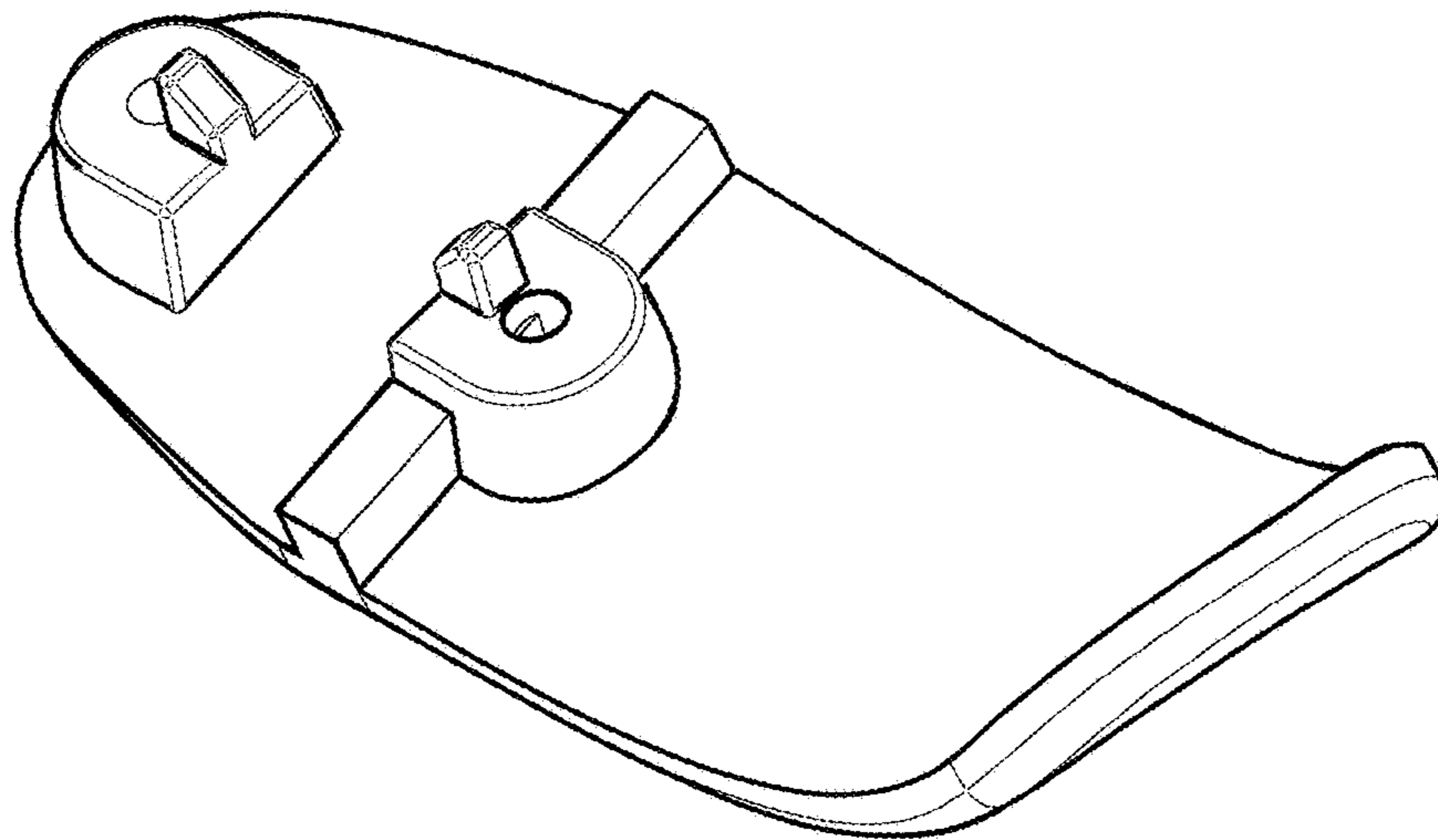


FIG. 8

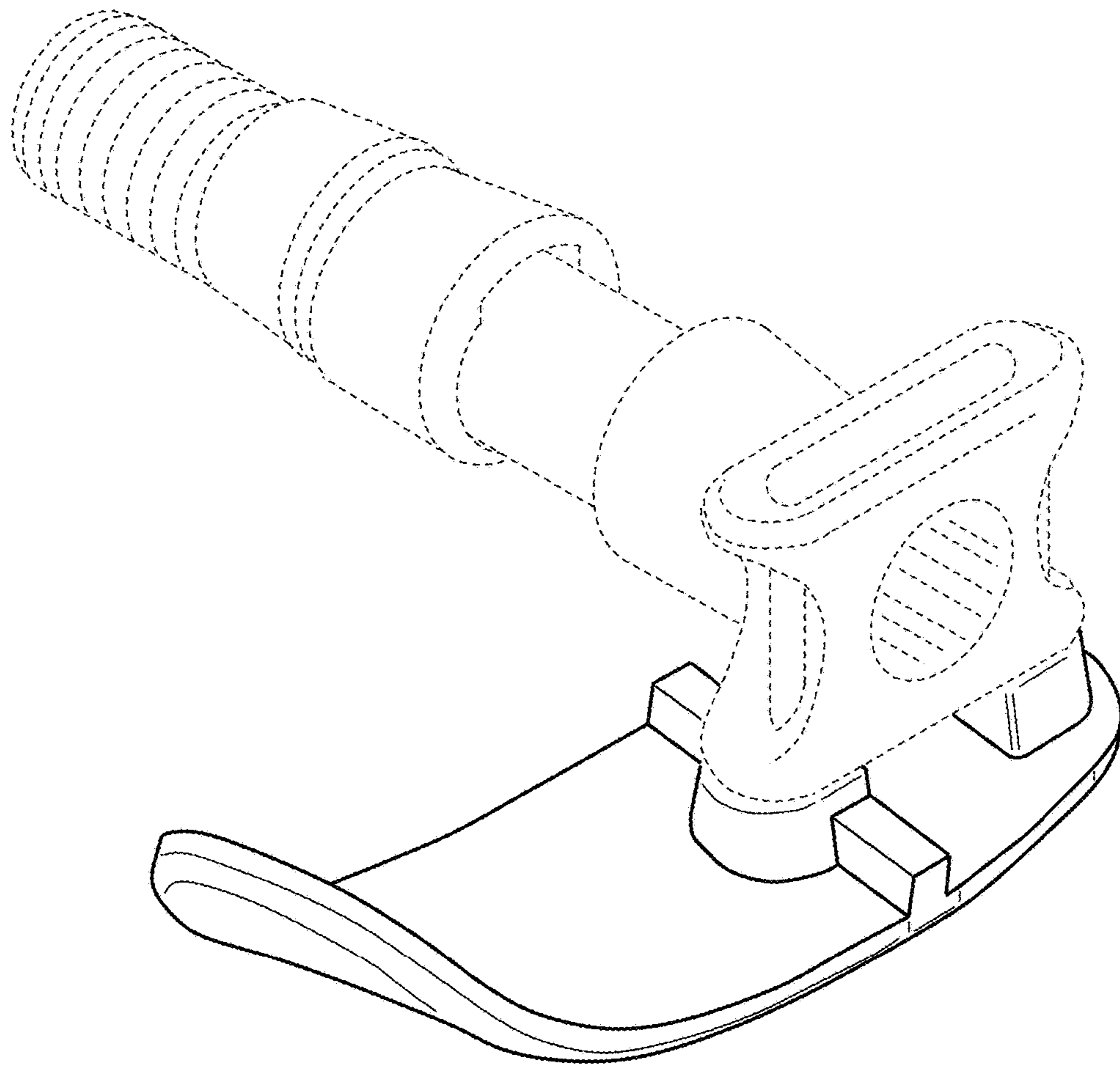


FIG. 9

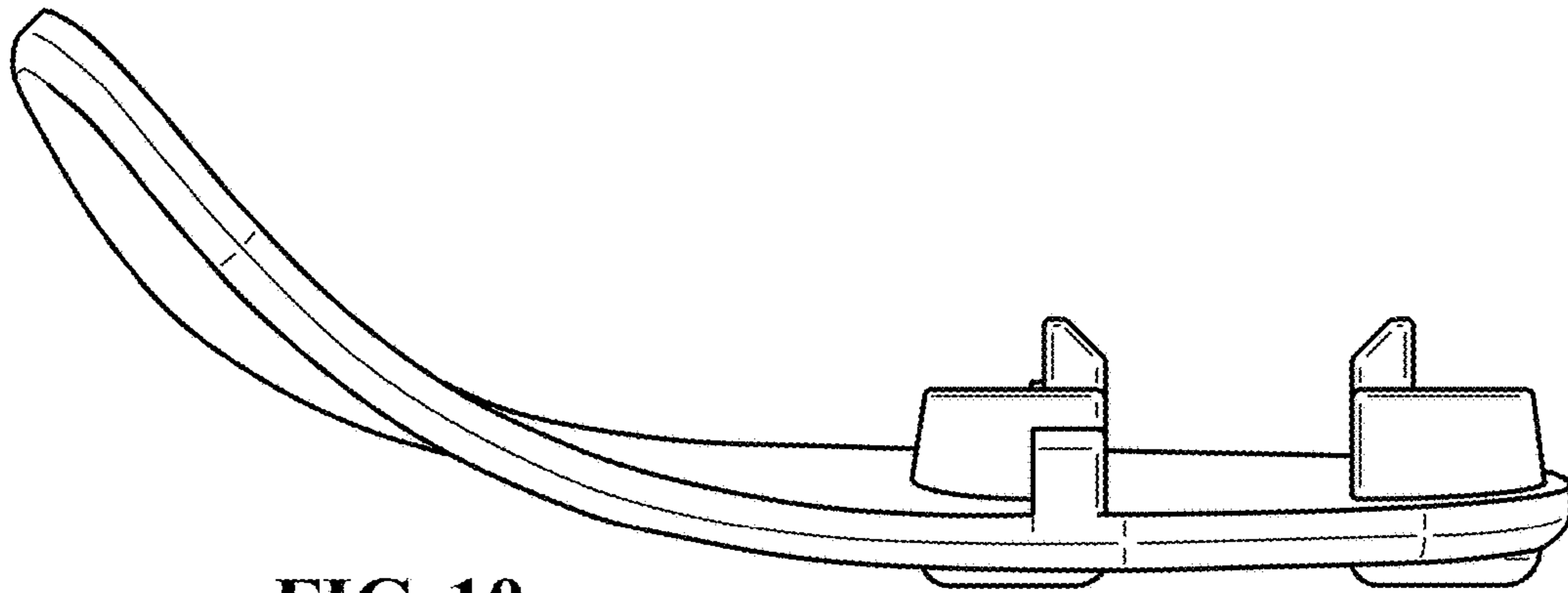


FIG. 10

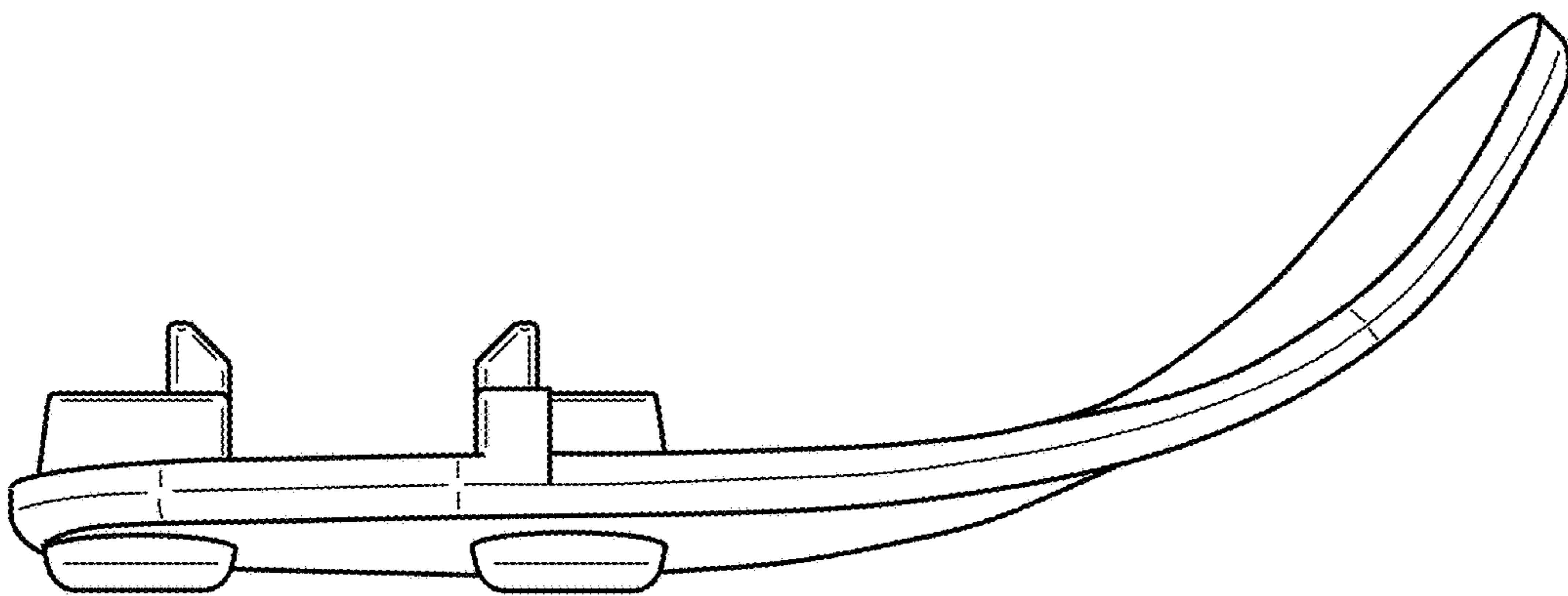


FIG. 11

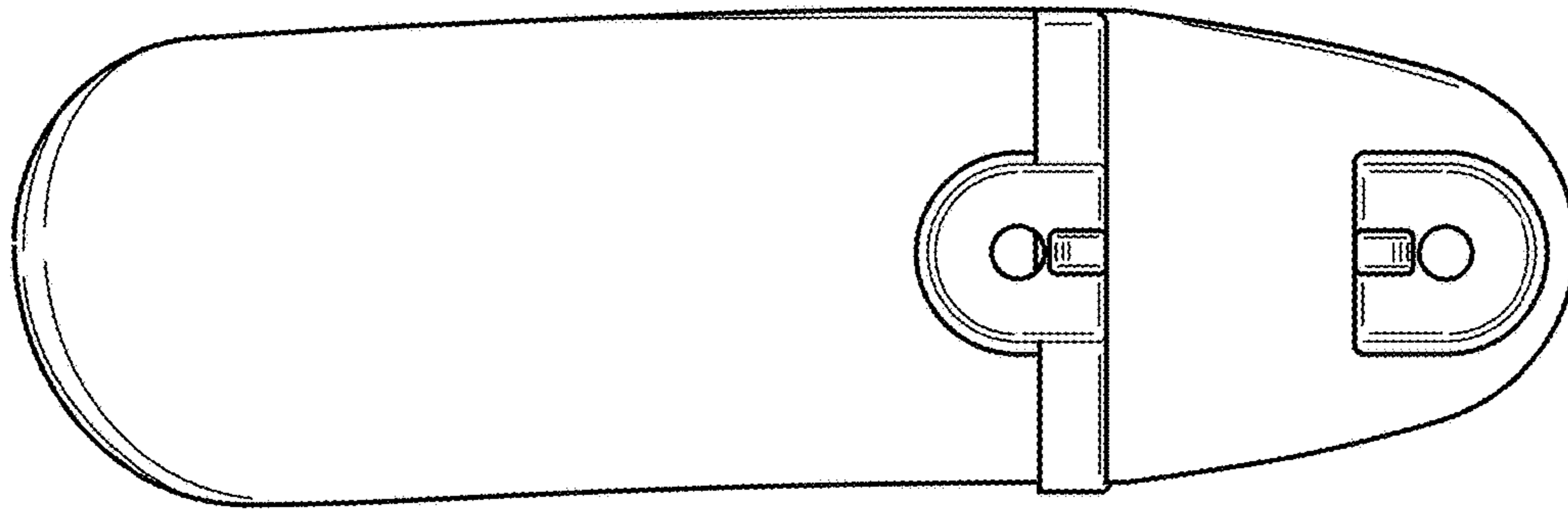


FIG. 12

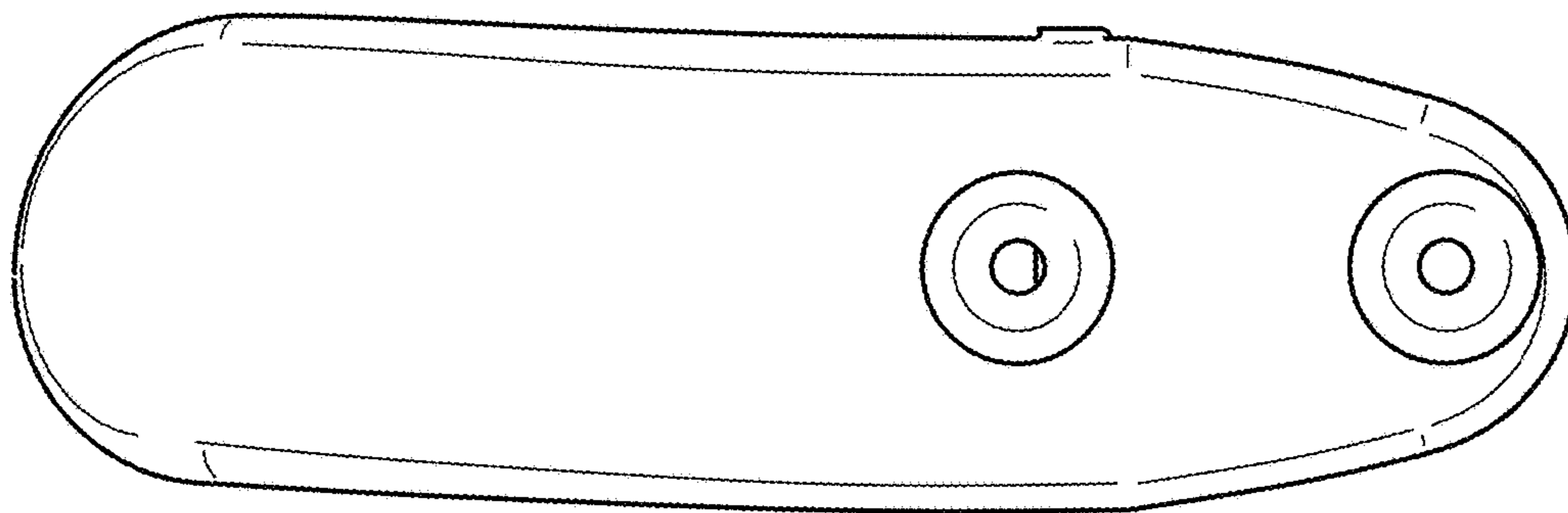


FIG. 13

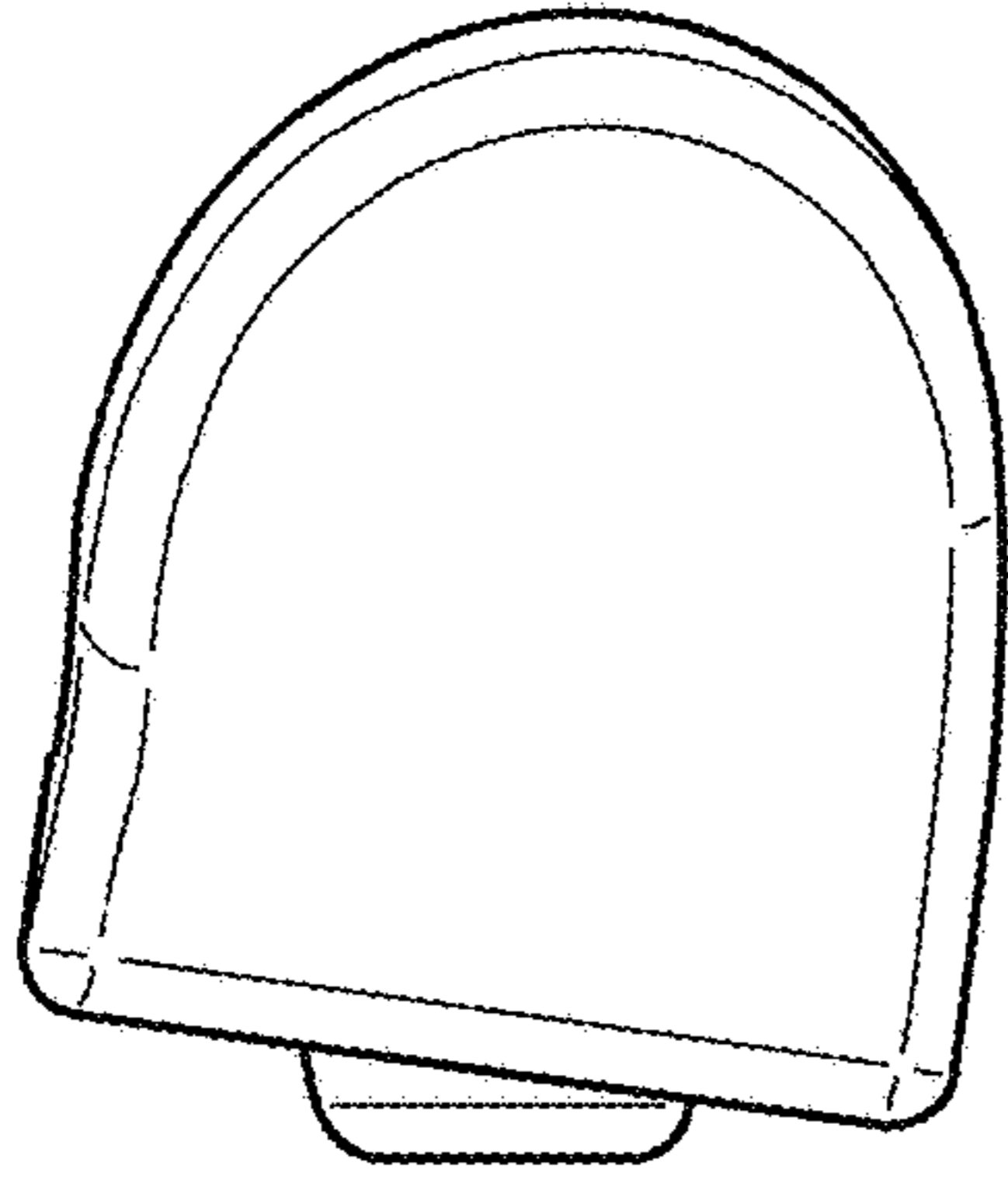


FIG. 14

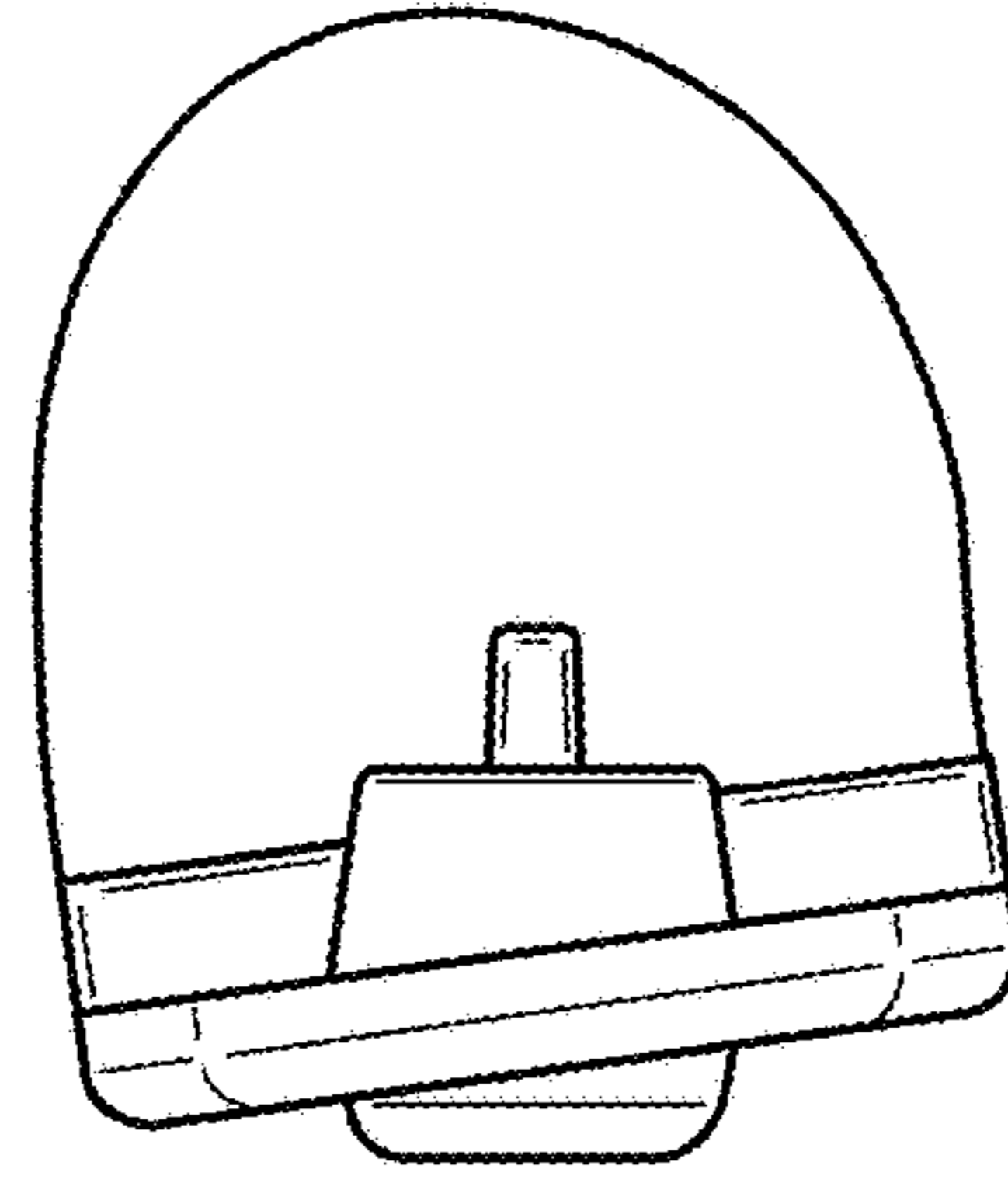


FIG. 15

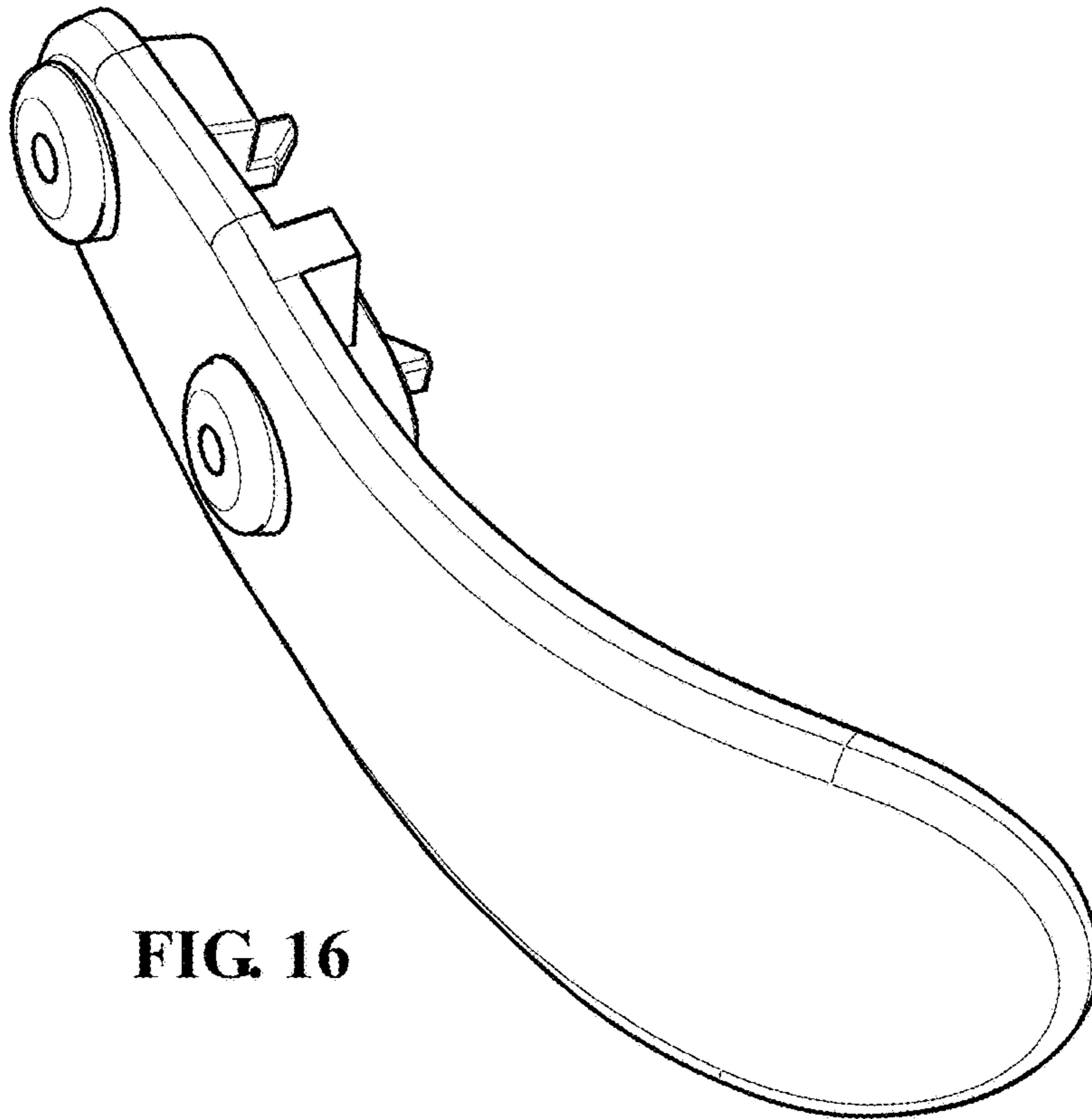


FIG. 16