

US00D865903S

(12) **United States Design Patent**
Yang

(10) **Patent No.:** **US D865,903 S**

(45) **Date of Patent:** **** Nov. 5, 2019**

(54) **MOUSETRAP**

(71) Applicant: **Qianming Yang**, Dongguan (CN)

(72) Inventor: **Qianming Yang**, Dongguan (CN)

(**) Term: **15 Years**

(21) Appl. No.: **29/664,646**

(22) Filed: **Sep. 27, 2018**

(51) **LOC (12) Cl.** **22-06**

(52) **U.S. Cl.**
USPC **D22/119**

(58) **Field of Classification Search**
USPC D22/119-124; 43/58, 60-61, 65, 67, 69,
43/77
CPC A01M 23/00; A01M 23/04; A01M 23/005;
A01M 23/08; A01M 23/16
See application file for complete search history.

(56) **References Cited**

U.S. PATENT DOCUMENTS

D291,588 S * 8/1987 Melton D22/119
D711,495 S * 8/2014 Metlen D22/119

D854,115 S * 7/2019 Yang D22/119
D855,742 S * 8/2019 Yang D22/119
2012/0117853 A1* 5/2012 Studer A01M 23/08
43/67
2012/0174469 A1* 7/2012 Gardner A01M 23/00
43/60

* cited by examiner

Primary Examiner — Catherine R Oliver-Garcia

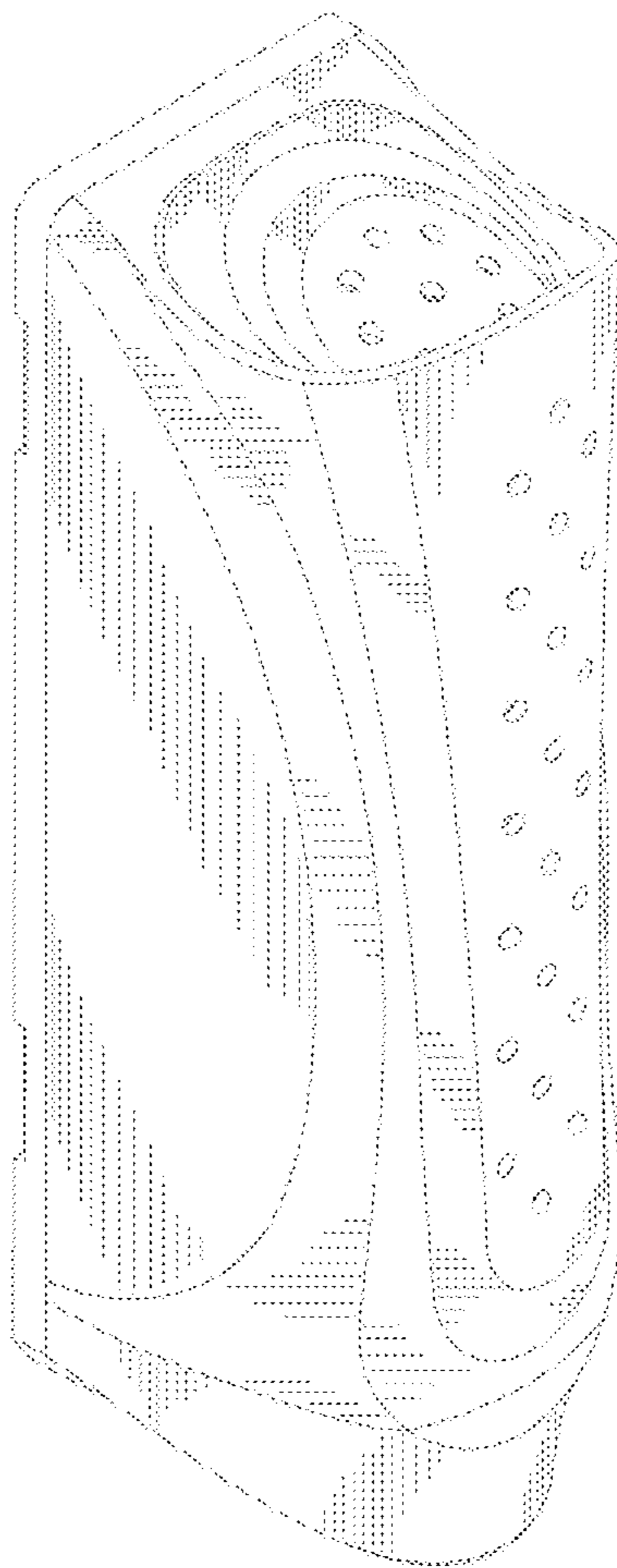
(57) **CLAIM**

The ornamental design for a mousetrap, as shown and described.

DESCRIPTION

FIG. 1 is a perspective view of the mousetrap showing my new design;
FIG. 2 is a front elevational view thereof;
FIG. 3 is a rear elevational view thereof;
FIG. 4 is a left side elevational view thereof;
FIG. 5 is a right side elevational view thereof;
FIG. 6 is a top plan view thereof;
FIG. 7 is a bottom plan view thereof; and,
FIG. 8 is another perspective view thereof.

1 Claim, 8 Drawing Sheets



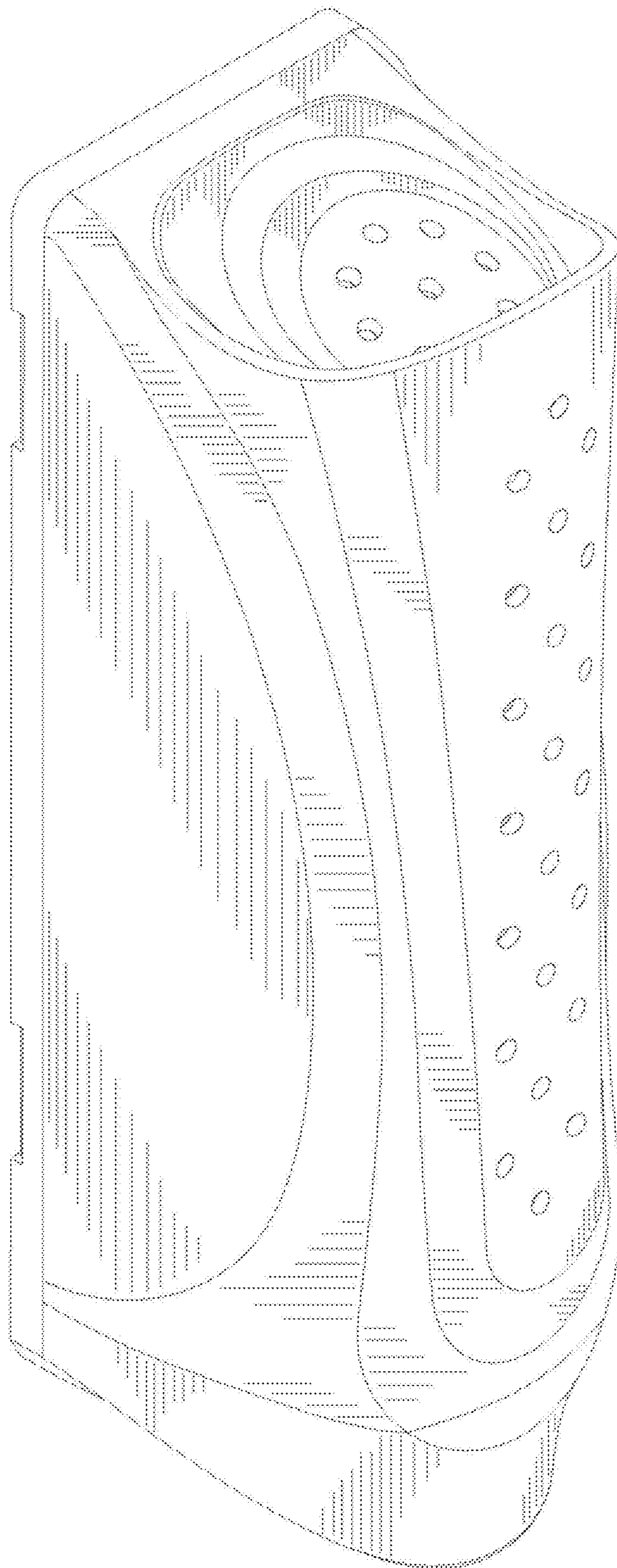


Fig. 1

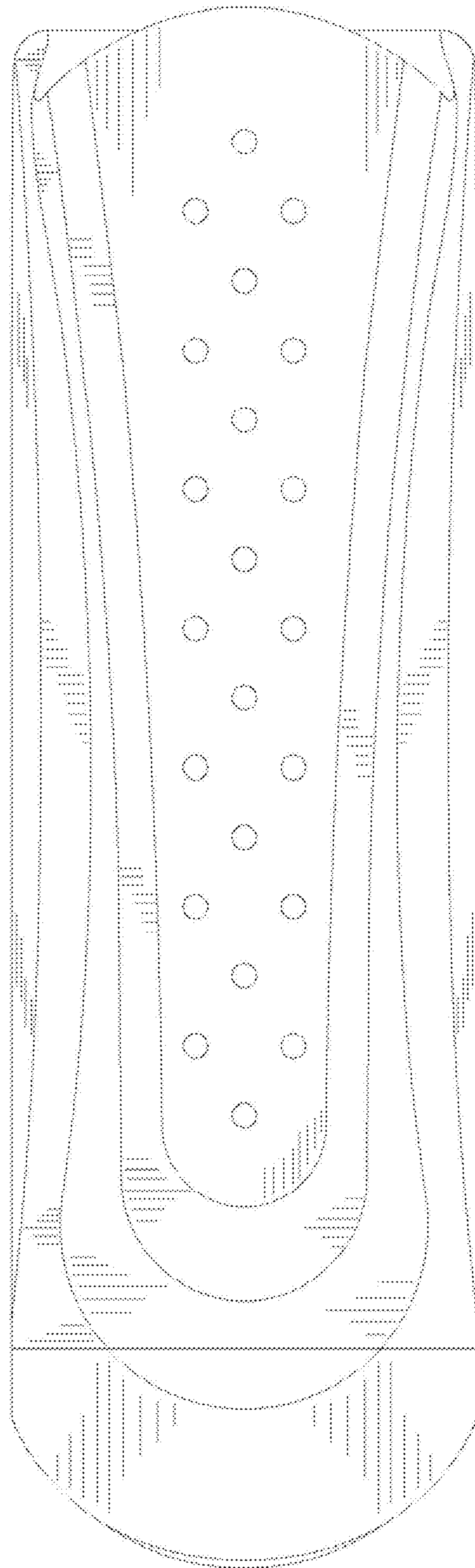


Fig. 2

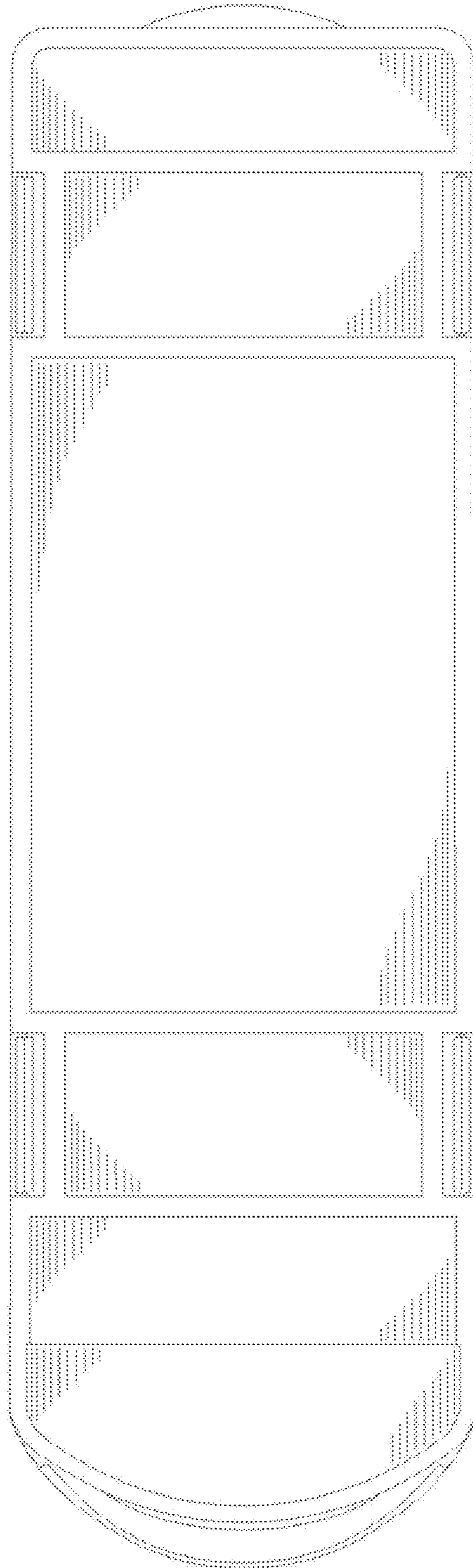


Fig. 3

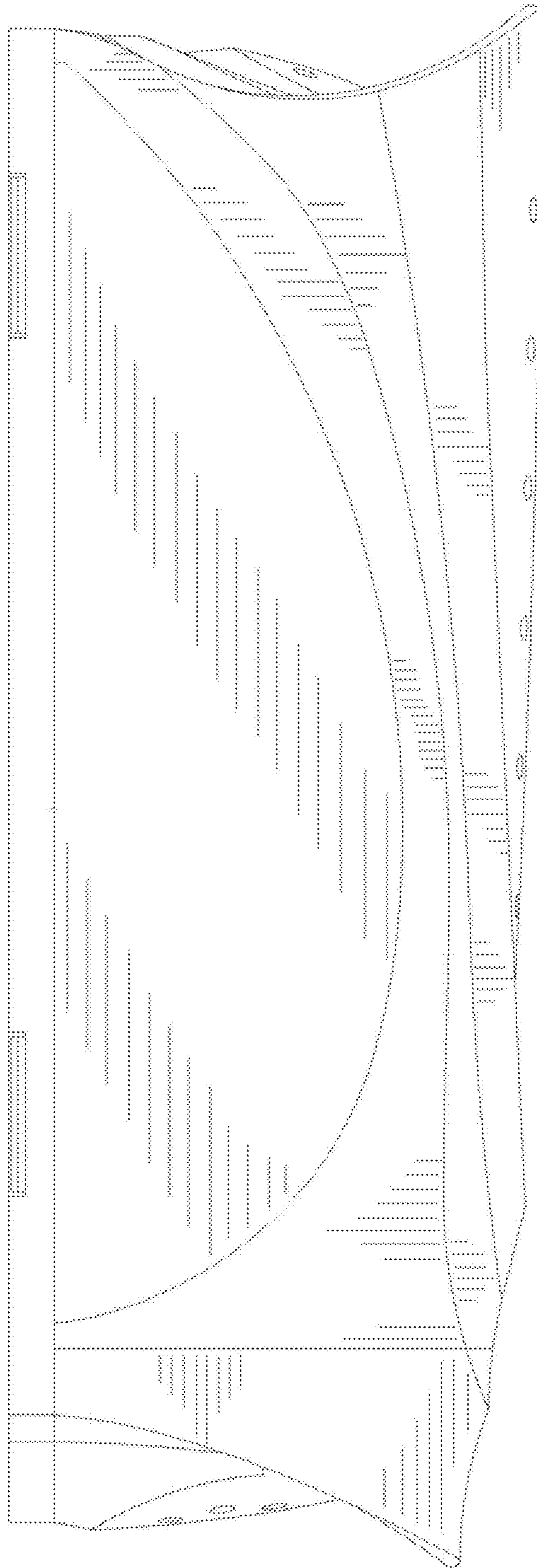


Fig. 4

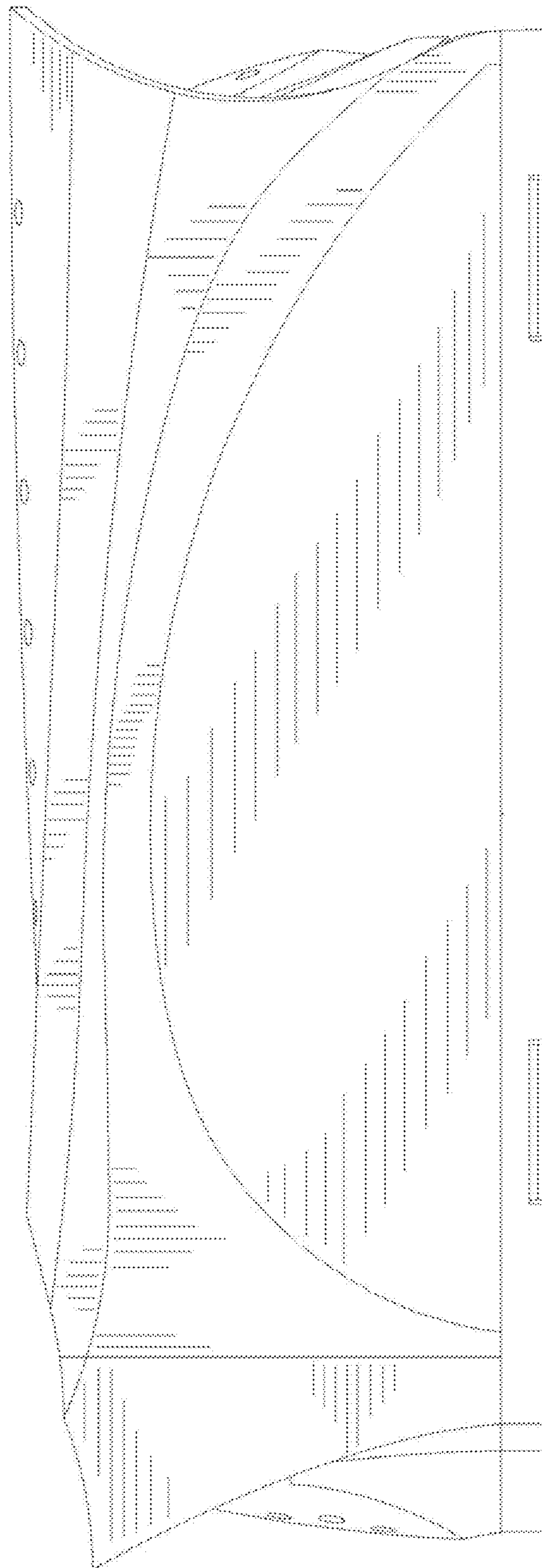


Fig. 5

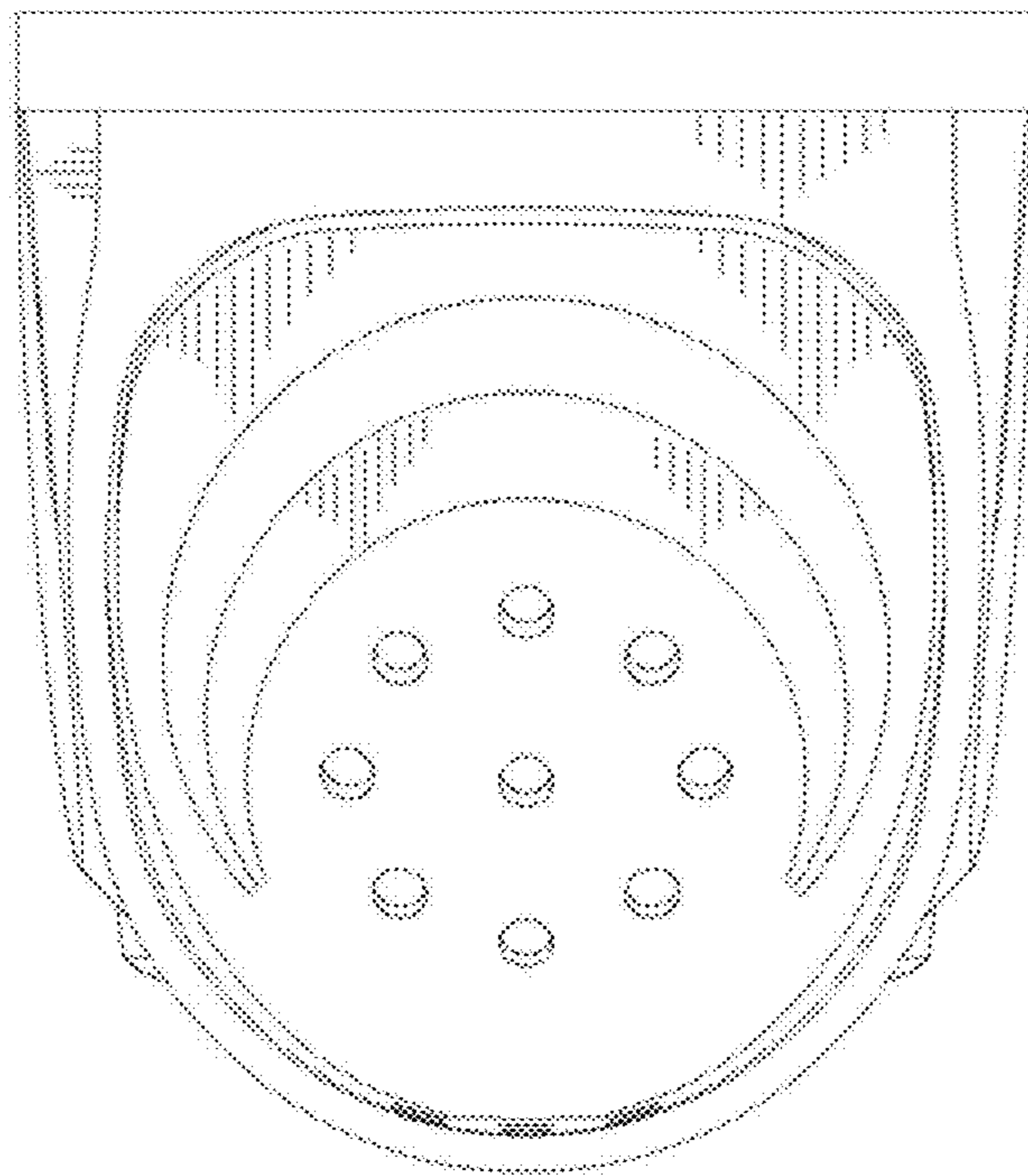


Fig. 6

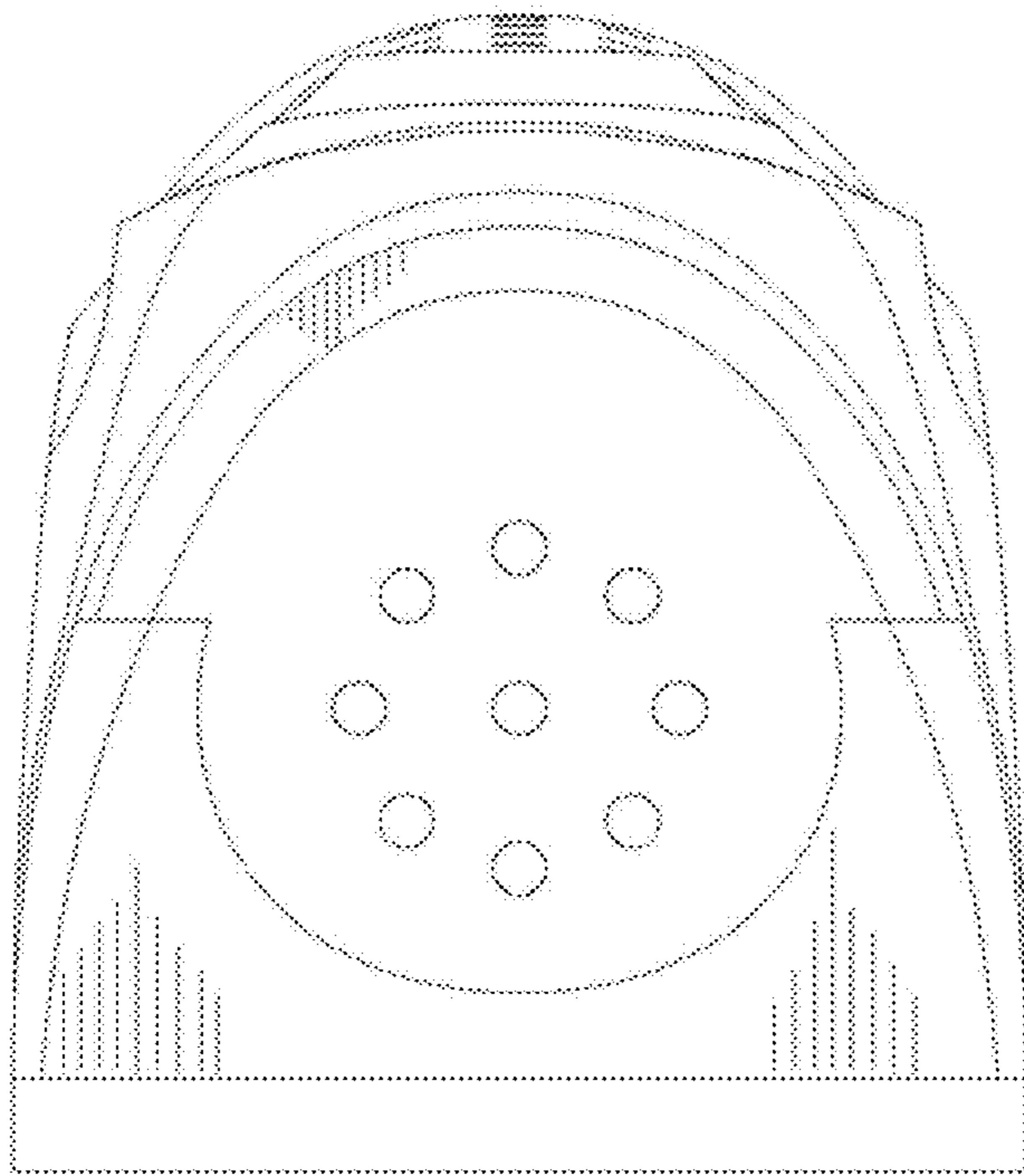


Fig. 7

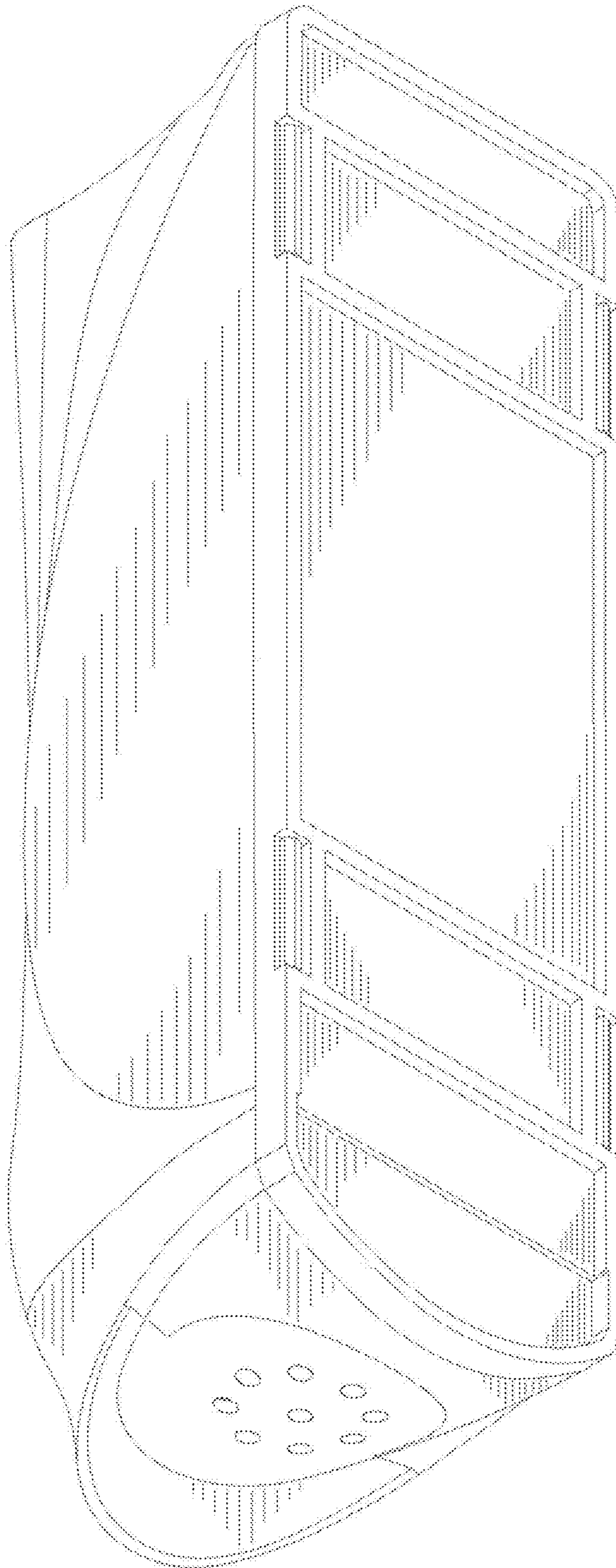


Fig. 8