

US00D865902S

(12) **United States Design Patent** (10) **Patent No.:** **US D865,902 S**
Storch (45) **Date of Patent:** **** Nov. 5, 2019**

(54) **FIREARM ACCESSORY MOUNT RAIL**

(71) Applicant: **Midwest Industries, Inc.**, Waukesha, WI (US)

(72) Inventor: **Troy Storch**, Wales, WI (US)

(73) Assignee: **Midwest Industries, Inc.**, Waukesha, WI (US)

(**) Term: **15 Years**

(21) Appl. No.: **29/656,912**

(22) Filed: **Jul. 17, 2018**

(51) **LOC (12) Cl.** **22-01**

(52) **U.S. Cl.**
USPC **D22/109**

(58) **Field of Classification Search**
USPC D22/100–111, 115–116, 119–120, 199;
D21/300, 301, 573–575
CPC . F41G 1/02; F41G 1/027; F41G 1/033; F41G
1/06; F41G 3/26; F41C 23/10; F41C
23/16; F41J 1/00
See application file for complete search history.

(56) **References Cited**

U.S. PATENT DOCUMENTS

3,462,021	A	8/1969	Hawke et al.	
3,731,418	A	5/1973	Birkenhagen	
D259,994	S	7/1981	Salcedo	
D276,789	S	12/1984	Olson	
4,751,610	A	6/1988	Nickola	
4,765,224	A	8/1988	Morris	
D302,514	S	8/1989	Gates	
D349,230	S	8/1994	Essick	
D468,780	S	* 1/2003	Hu D21/573
D508,726	S	8/2005	Storch	
7,066,059	B1	6/2006	Hsieh	
RE39,465	E	1/2007	Swan	
7,216,451	B1	5/2007	Troy	
D556,290	S	11/2007	Swan	
7,574,823	B2	8/2009	Nakayama	

7,640,689	B2	1/2010	Fluhr
7,707,762	B1	5/2010	Swan
7,716,865	B2	5/2010	Daniel et al.
7,770,317	B1	8/2010	Tankersley
D625,765	S	10/2010	Storch

(Continued)

OTHER PUBLICATIONS

“Extended HK91/G3 M-LOK hand guard (Standard)” [online]. aimsportsinc.com. [Retrieved on May 30, 2019]. Retrieved from the Internet: <https://www.aimsportsinc.com/hk-g3-m-lok-extended-rifle-length-handguard/>.*

(Continued)

Primary Examiner — Khawaja Anwar

Assistant Examiner — Mojtaba Tehrani

(74) *Attorney, Agent, or Firm* — Boyle Fredrickson S.C.

(57) **CLAIM**

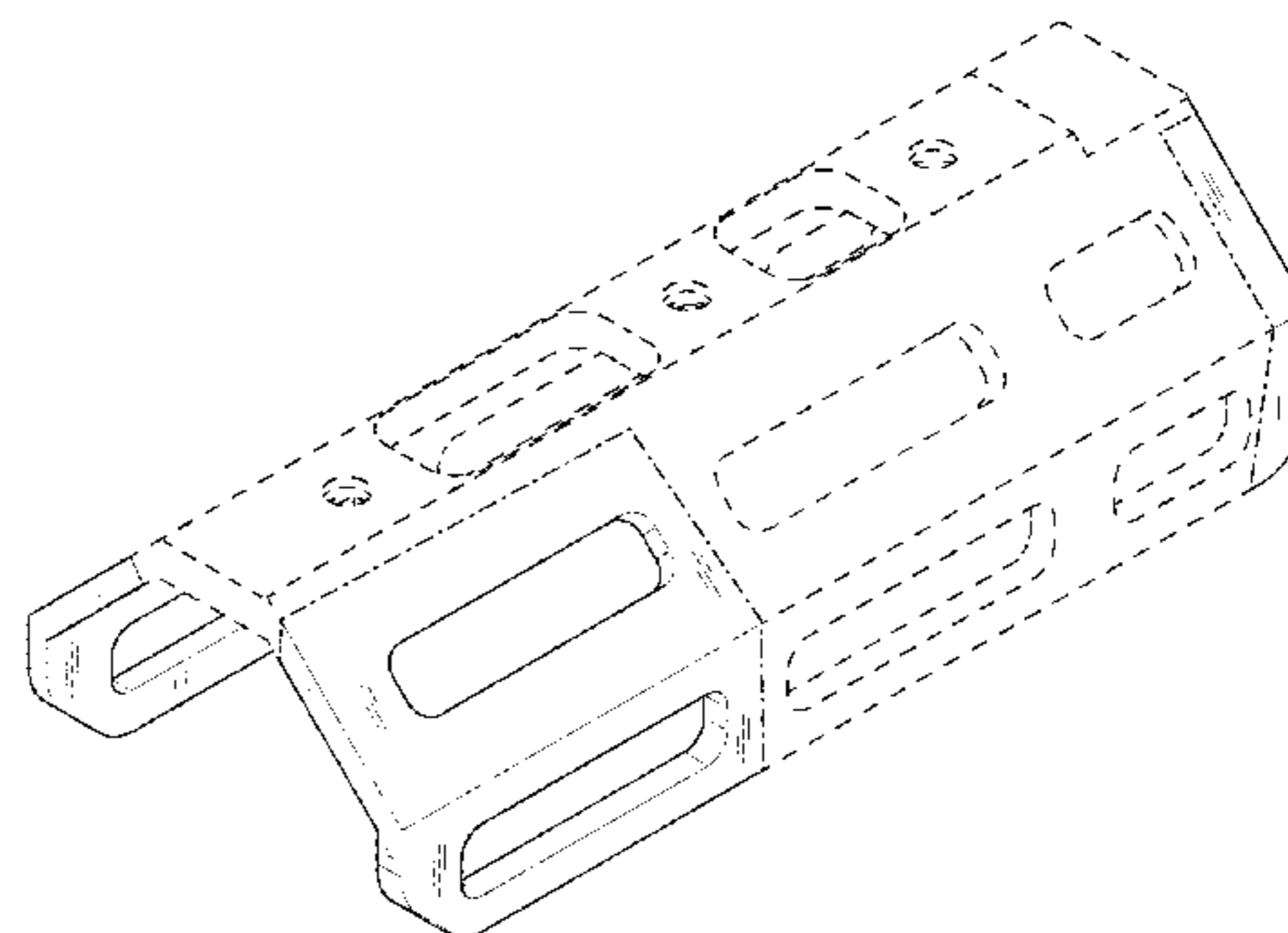
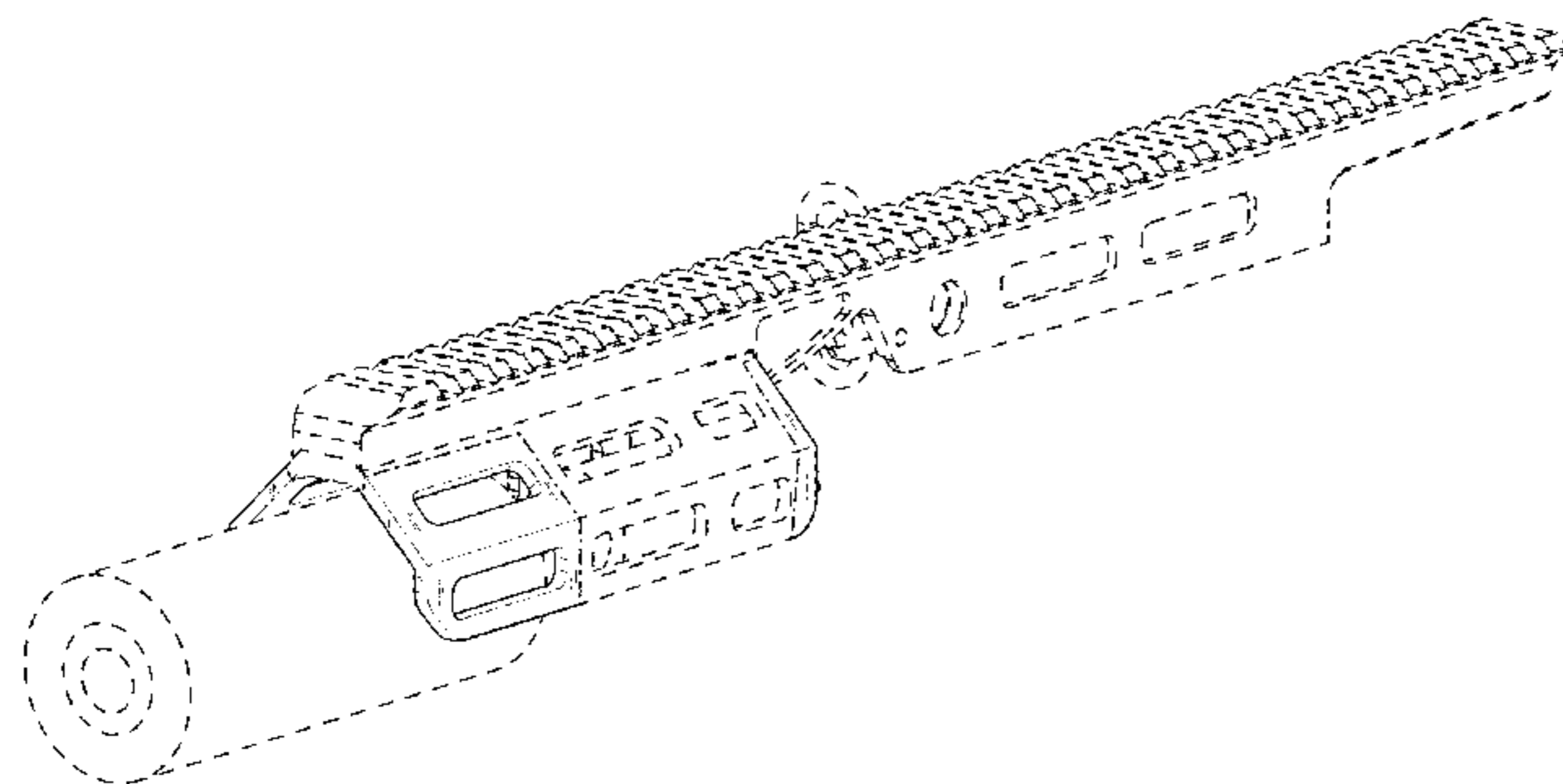
The ornamental design for a firearm accessory mount rail, as shown and described.

DESCRIPTION

FIG. 1 is a top perspective view of a firearm accessory mount rail, showing my new design; FIG. 2 is a another top perspective view thereof; FIG. 3 is a left side elevation view thereof; FIG. 4 is a right side elevation view thereof; FIG. 5 is a top plan view thereof; FIG. 6 is a bottom plan view thereof; FIG. 7 is a rear elevation view thereof; and, FIG. 8 is a front elevation view thereof.

The broken lines are for illustrative purposes and represent environmental structure and unclaimed portions of the invention and therefore form no part of the claimed design. The dash-dot lines are for illustrating boundaries of the claimed portions of the invention and form no part of the claimed design.

1 Claim, 6 Drawing Sheets



(56)

References Cited

U.S. PATENT DOCUMENTS

7,905,041 B1 3/2011 Davies
 7,938,055 B2 5/2011 Hochstrate
 8,046,949 B1 11/2011 Daniel
 8,051,595 B2 11/2011 Hochstrate
 8,096,213 B2 1/2012 Miers
 8,141,287 B2 3/2012 Dubois
 8,141,289 B2 3/2012 Gomez et al.
 D657,013 S 4/2012 Swan
 D659,220 S 5/2012 Foltz
 D659,221 S * 5/2012 Wu D22/108
 8,201,353 B1 6/2012 Swan
 8,205,373 B1 6/2012 Ubl et al.
 8,230,634 B1 7/2012 Davies
 8,234,808 B2 8/2012 Lewis et al.
 8,234,809 B2 8/2012 Daniel
 D666,689 S 9/2012 Swan
 8,276,303 B2 10/2012 Kapusta et al.
 8,276,304 B2 10/2012 Samson et al.
 D670,352 S 11/2012 Norberg et al.
 8,347,540 B2 1/2013 Sirois
 8,359,779 B2 1/2013 Daniel et al.
 D677,048 S 3/2013 Du
 8,438,770 B2 5/2013 Troy
 8,448,367 B2 5/2013 Samson et al.
 D683,807 S 6/2013 Elkaim
 8,464,457 B2 6/2013 Troy et al.
 8,578,642 B2 11/2013 Troy et al.
 8,607,490 B1 12/2013 Zinsner
 8,640,372 B2 2/2014 Hochstrate
 8,689,477 B2 4/2014 Gomez et al.
 8,689,478 B2 4/2014 Patel
 8,690,138 B2 4/2014 Lin et al.
 8,713,838 B2 5/2014 Ubl et al.
 8,739,448 B2 6/2014 Kimmel et al.
 D709,581 S * 7/2014 Langevin D22/108
 8,769,854 B1 7/2014 Battaglia
 8,789,304 B2 7/2014 Engesser
 8,806,792 B2 8/2014 Yan
 8,806,793 B2 8/2014 Daniel et al.
 8,819,980 B2 9/2014 Geissele
 8,904,691 B1 12/2014 Kincel
 9,003,686 B2 4/2015 Brown
 9,010,009 B2 4/2015 Buxton
 9,032,658 B2 5/2015 Geissele
 D732,378 S 6/2015 Oquendo et al.
 9,068,786 B2 6/2015 DiChario
 9,068,801 B1 6/2015 Strecher et al.
 9,086,247 B2 7/2015 Lessard
 9,091,505 B1 7/2015 Battaglia
 D736,886 S * 8/2015 Cheng D22/108
 D737,397 S * 8/2015 Cheng D22/108
 9,140,506 B2 9/2015 Gomez
 9,140,520 B2 9/2015 Lopes et al.
 9,157,696 B2 10/2015 Dextraze
 9,157,697 B2 10/2015 Leclair
 D744,459 S 12/2015 Cummings et al.
 D747,428 S * 1/2016 Chen D22/108
 D751,663 S * 3/2016 Ding D22/108
 D752,171 S * 3/2016 Chen D22/108
 D753,256 S 4/2016 Azhocar

D753,257 S 4/2016 Azhocar
 D757,879 S * 5/2016 Barfoot D22/108
 9,453,694 B1 9/2016 Storch
 9,494,382 B2 11/2016 Starch
 D773,590 S * 12/2016 Wingate D22/108
 9,528,793 B1 12/2016 Oglesby
 D779,013 S * 2/2017 Cheng D22/106
 D785,126 S 4/2017 Barrett
 9,658,020 B2 5/2017 Daniel et al.
 D788,871 S 6/2017 Storch
 D790,029 S * 6/2017 Geissele D22/108
 D792,547 S * 7/2017 Fesas D22/108
 9,700,996 B2 7/2017 Hansley et al.
 9,766,035 B2 9/2017 Storch
 D811,511 S 2/2018 Jenkinson
 D818,073 S * 5/2018 Dubois D22/108
 D820,377 S * 6/2018 Boyd D22/109
 D827,082 S * 8/2018 Dubois D22/108
 D835,745 S * 12/2018 Storch D22/108
 D840,494 S * 2/2019 Storch D22/108
 D846,688 S * 4/2019 Storch D22/108
 2006/0174733 A1 8/2006 Hsieh
 2006/0260169 A1 11/2006 Samson
 2007/0261285 A1 11/2007 Troy
 2010/0212201 A1 8/2010 Kincel et al.
 2010/0269392 A1 10/2010 Swan
 2010/0319231 A1 * 12/2010 Stone F41C 23/16
 42/71.01
 2011/0000119 A1 1/2011 Desomma et al.
 2011/0061281 A1 3/2011 Kapusta et al.
 2011/0126443 A1 6/2011 Sirois
 2012/0198990 A1 * 8/2012 Brittin F41A 5/26
 89/191.01
 2012/0317859 A1 12/2012 Brown
 2013/0180151 A1 7/2013 Moore
 2013/0219765 A1 8/2013 Ibarguren
 2013/0276341 A1 * 10/2013 Wells F41G 11/003
 42/71.01
 2013/0284008 A1 10/2013 Pizano
 2014/0026459 A1 1/2014 Yan
 2014/0033590 A1 2/2014 Gomez
 2014/0075817 A1 3/2014 Gomez
 2014/0076150 A1 3/2014 Brinkmeyer
 2014/0130390 A1 5/2014 Geissele
 2015/0135573 A1 5/2015 DiChario
 2015/0247695 A1 9/2015 Jarboe
 2015/0316347 A1 11/2015 Shea et al.
 2015/0343627 A1 12/2015 Hensley
 2016/0091276 A1 * 3/2016 Miller F41C 23/16
 42/75.02

OTHER PUBLICATIONS

“FN/FAL M-LOK Handguard 2 Piece Drop in Universal” [online].
 aimsportsinc.com. [Retrieved on May 30, 2019]. Retrieved from the
 Internet: <https://www.aimsportsinc.com/fn-fal-m-lok-handguard-w-universal-picatinny-top/>. *
 M-Lok Offset Light/Optic Mount, Magpul, [online], [site visited
 Sep. 13, 2016]. <URL: <https://www.magpul.com/products/m-lok-offset-light-optic-mount-aluminum/>>.

* cited by examiner

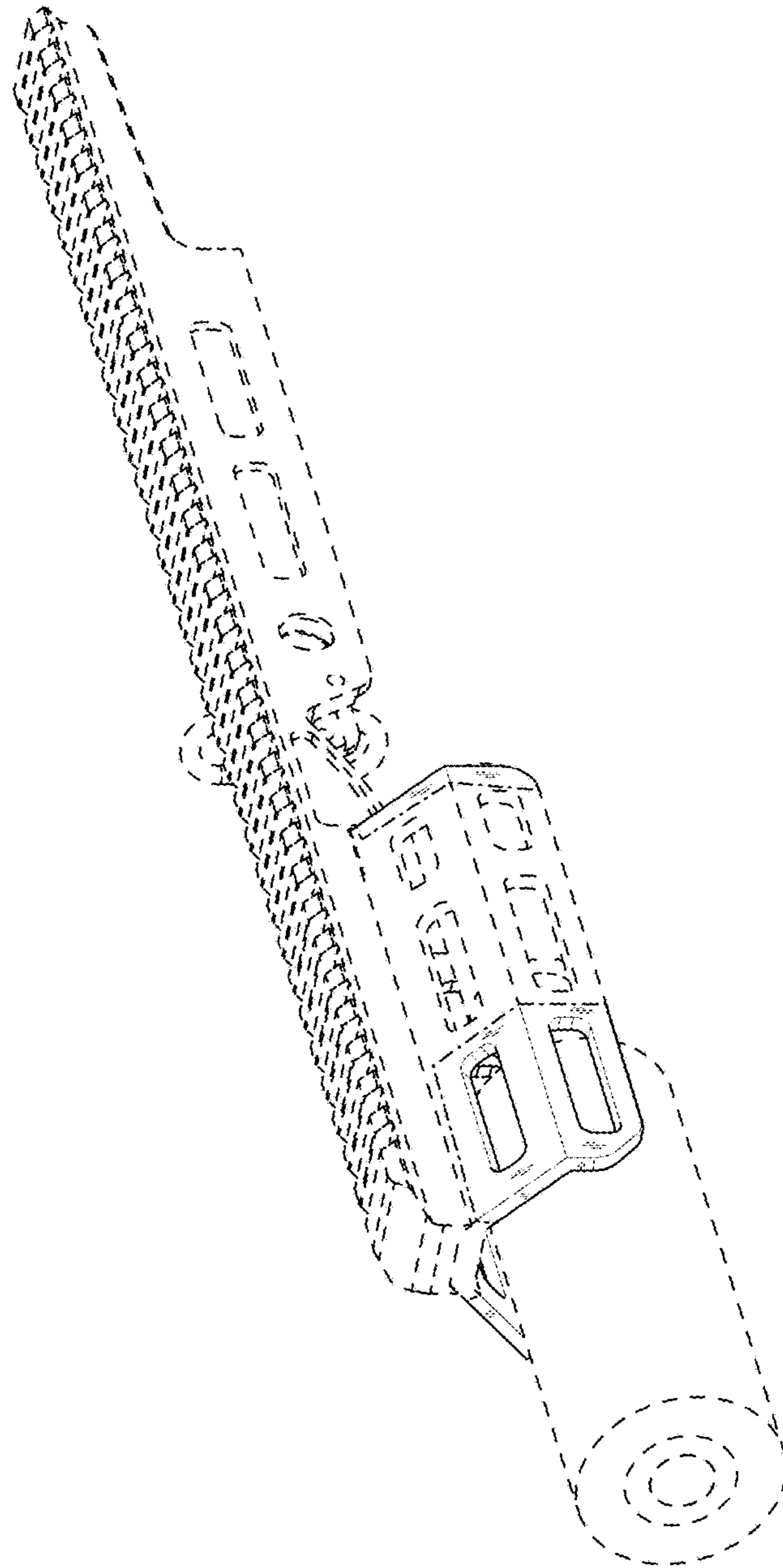


Fig. 1

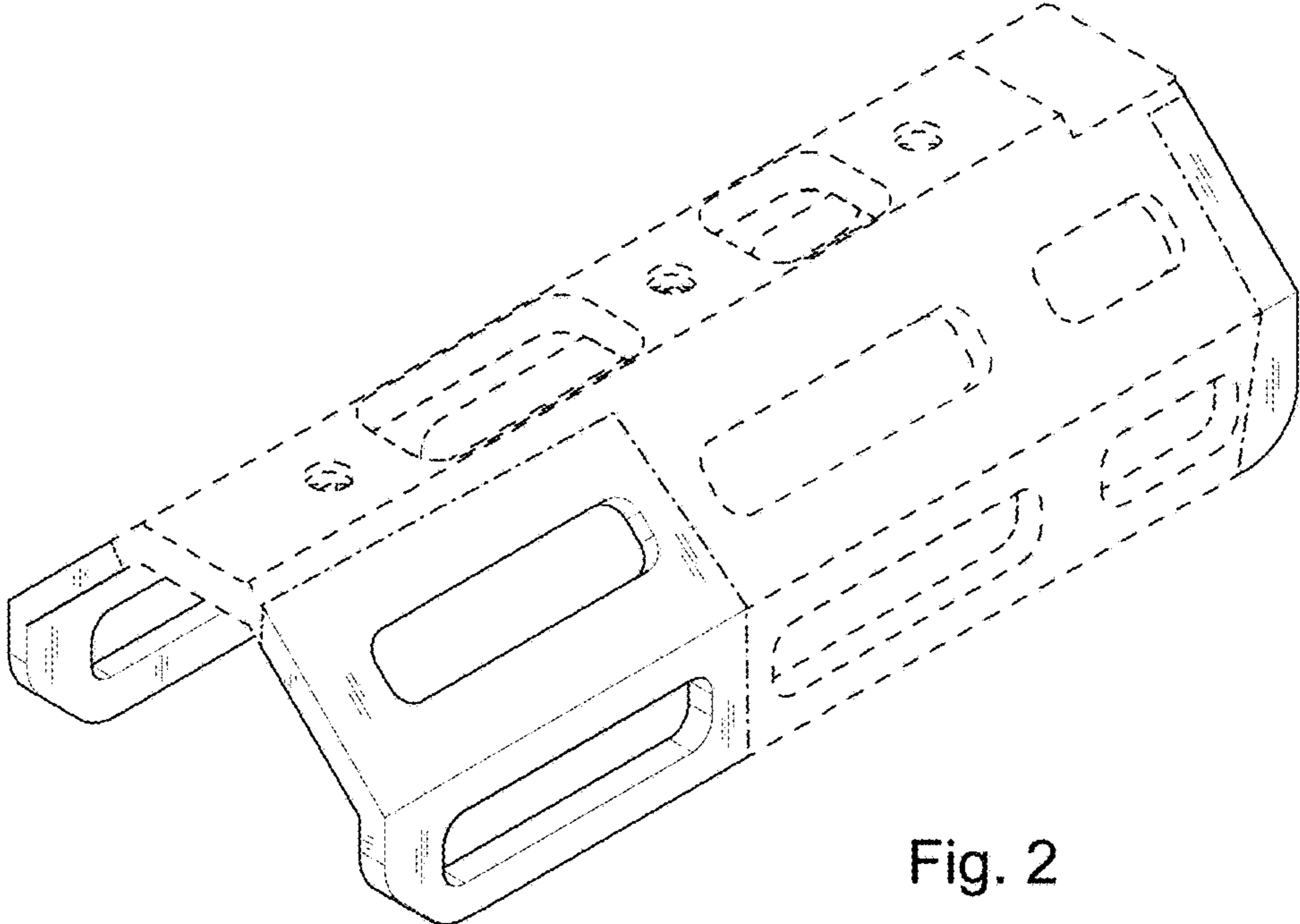


Fig. 2

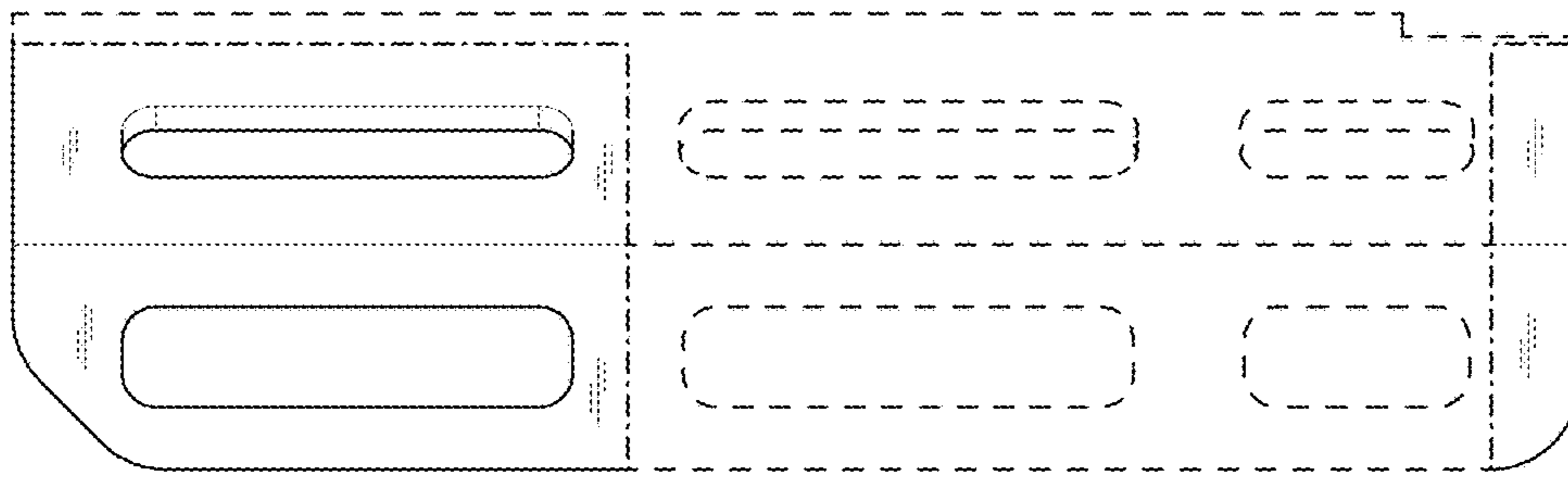


Fig. 3

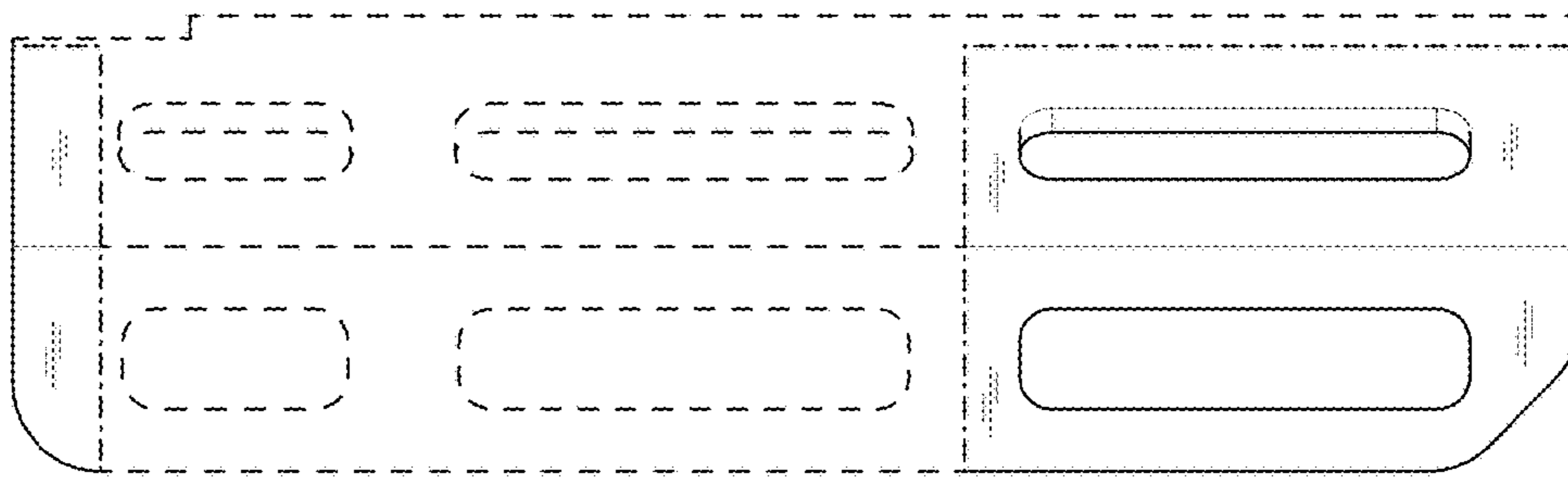


Fig. 4

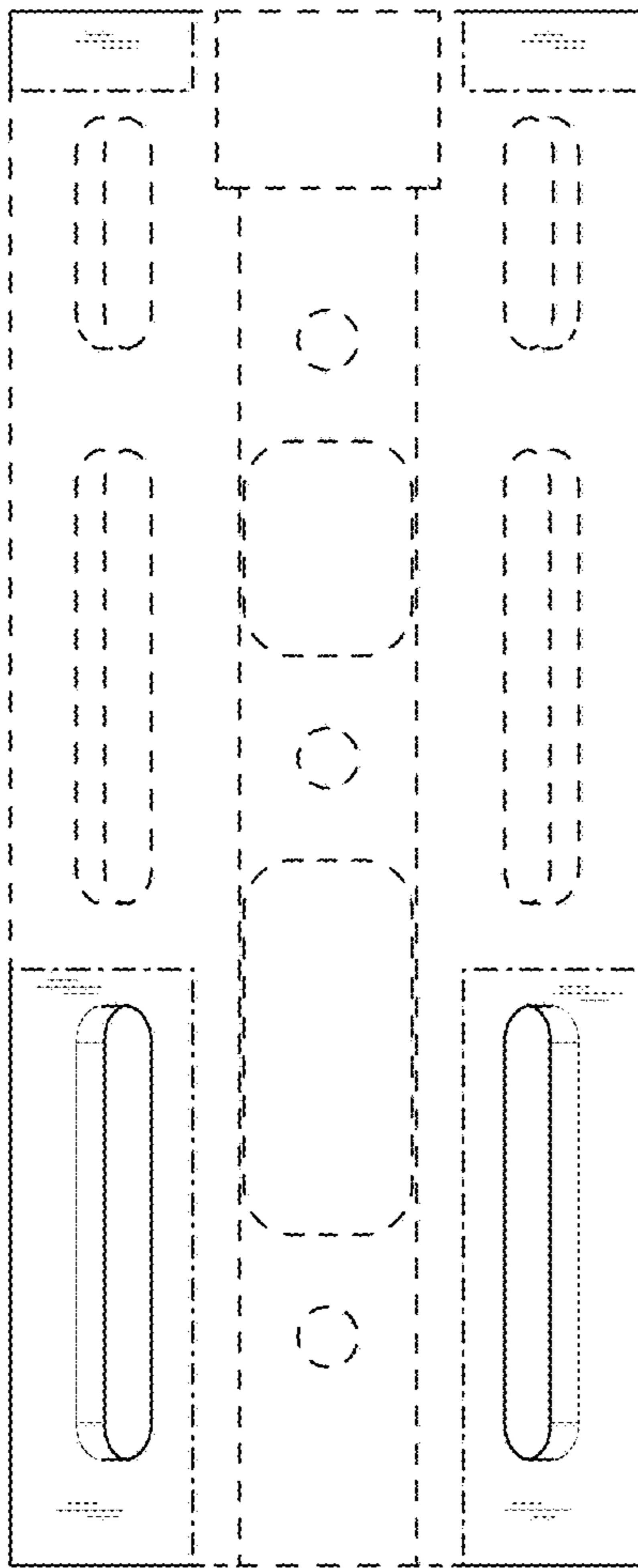


Fig. 5

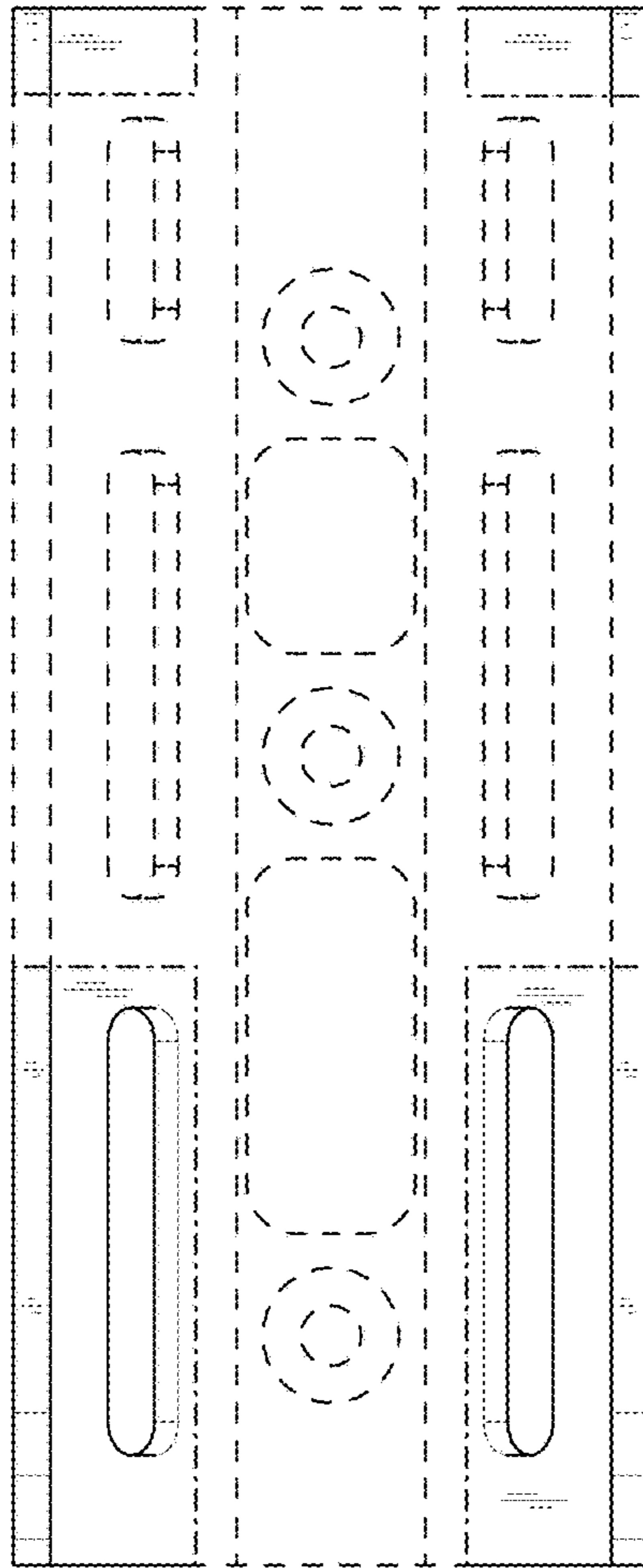


Fig. 6

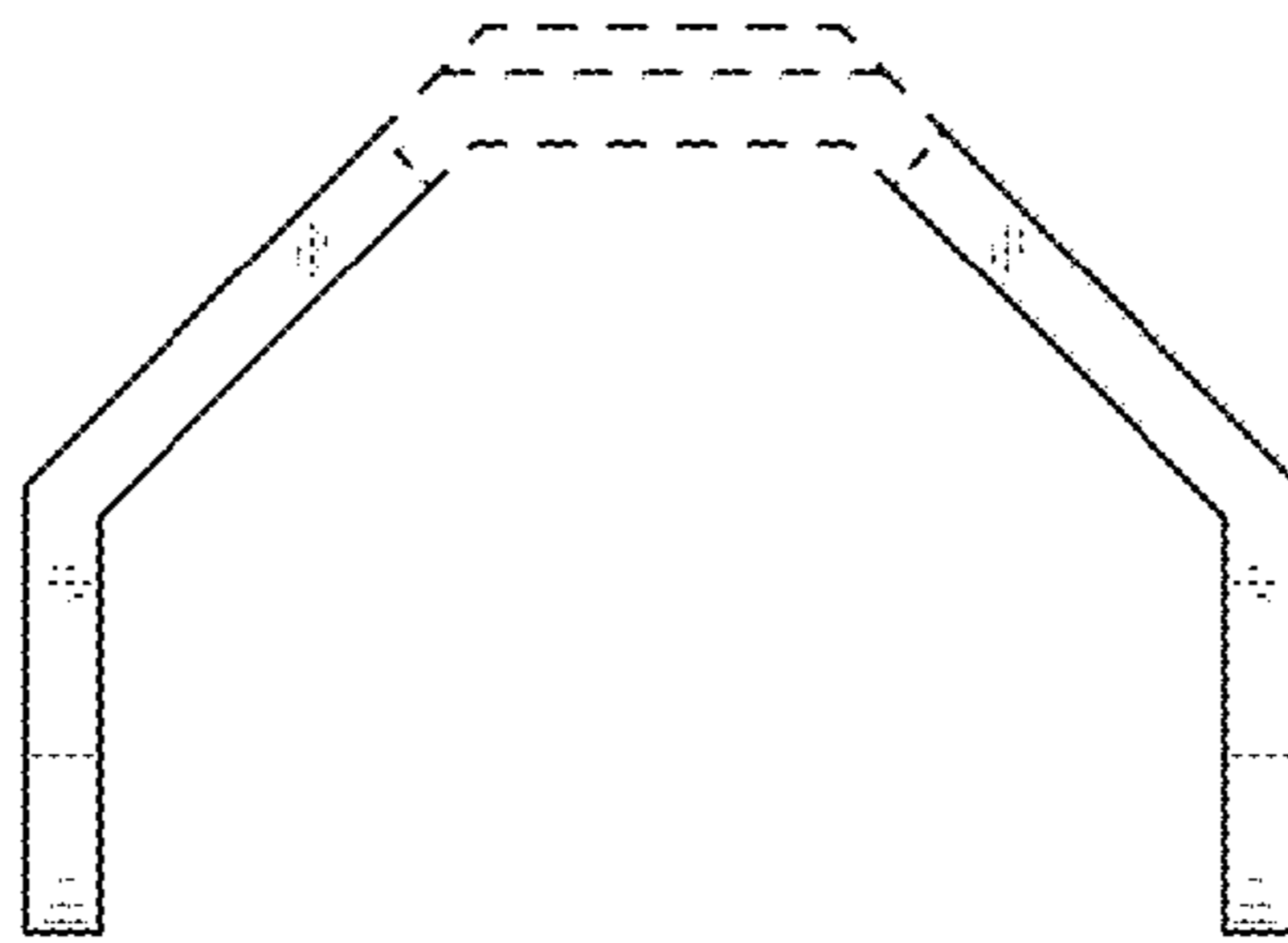


Fig. 7

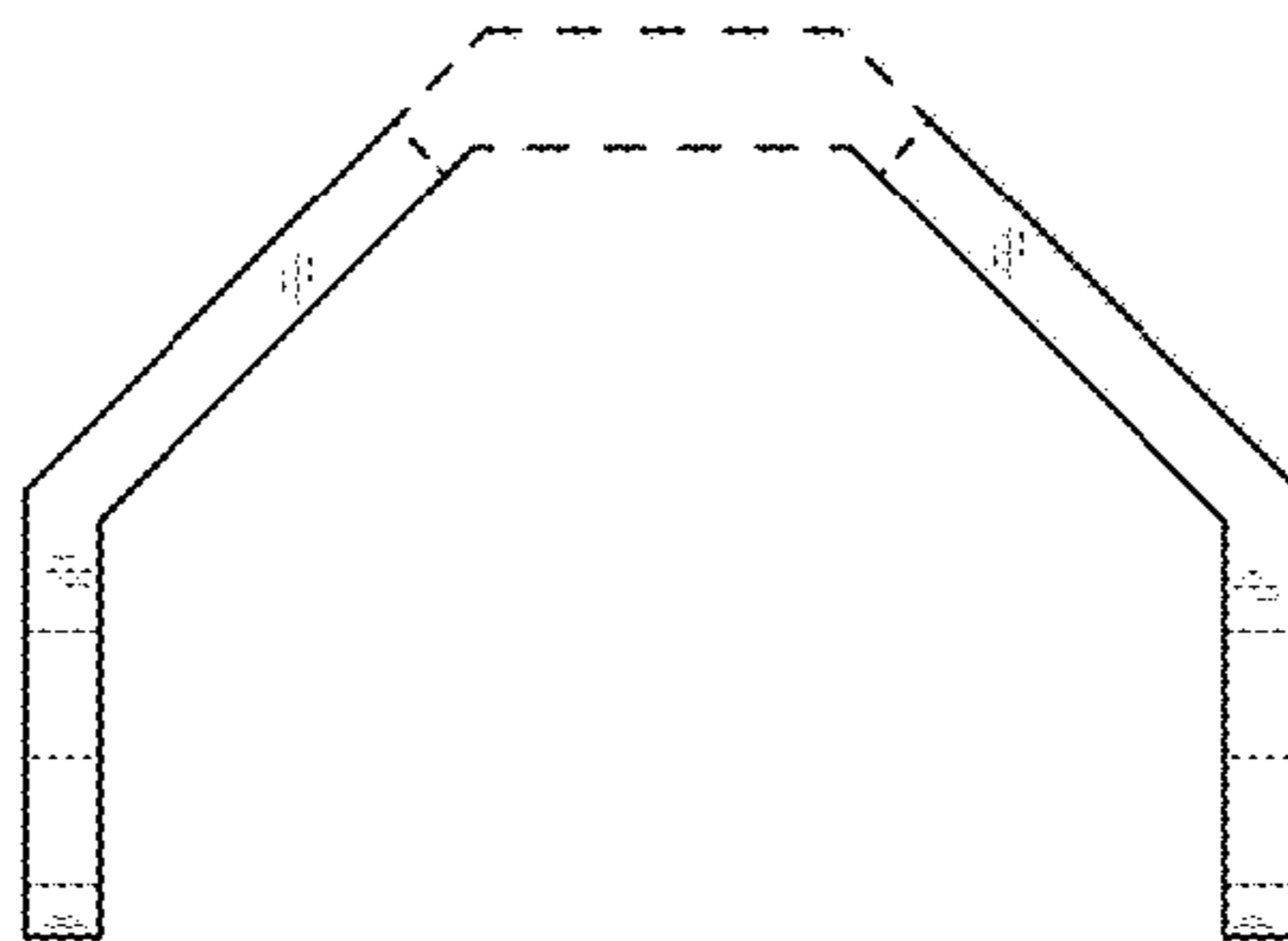


Fig. 8