



US00D865901S

(12) **United States Design Patent**
Labiento

(10) **Patent No.:** **US D865,901 S**

(45) **Date of Patent:** **** Nov. 5, 2019**

(54) **NON-PISTOL GRIP FOR FIREARMS**

(71) Applicant: **Wesley Labiento**, Atwater, CA (US)

(72) Inventor: **Wesley Labiento**, Atwater, CA (US)

(**) Term: **15 Years**

(21) Appl. No.: **29/697,975**

(22) Filed: **Jul. 12, 2019**

Related U.S. Application Data

(63) Continuation-in-part of application No. 29/667,026, filed on Oct. 17, 2018, which is a continuation-in-part of application No. 29/636,488, filed on Feb. 8, 2018.

(51) **LOC (12) Cl.** **22-01**

(52) **U.S. Cl.**
USPC **D22/108**

(58) **Field of Classification Search**
USPC D22/103, 107, 108–111, 199;
D21/571–575
CPC F41C 23/00; F41C 23/10; F41C 23/14;
F41C 23/16; F41C 23/18; F41C 27/00;
F41C 27/06; F41A 21/28; F41A 5/24;
F41A 5/18

See application file for complete search history.

(56) **References Cited**

U.S. PATENT DOCUMENTS

4,242,826	A *	1/1981	Anschutz	F41C 23/16 42/73
D472,599	S *	4/2003	Yu	D22/108
D667,524	S *	9/2012	Glimpse	D22/109
8,438,771	B1 *	5/2013	Boone	F41C 23/14 42/72
D691,236	S *	10/2013	Fitzpatrick	D22/108
D755,333	S *	5/2016	Kielsmeier	D22/108
D755,334	S *	5/2016	Kielsmeier	D22/108
D767,705	S *	9/2016	Freed	D22/108
D770,002	S *	10/2016	Anderson	D22/108

D793,516	S *	8/2017	Winge	D22/108
D814,595	S *	4/2018	Saadon	D22/108
D823,975	S *	7/2018	Anderson	D22/108
D837,924	S *	1/2019	Kunau	D22/108
10,190,840	B1 *	1/2019	Renteria	F41A 23/02
D846,276	S *	4/2019	Paganis	D3/262

(Continued)

OTHER PUBLICATIONS

Featureless Grip for California Legal AR-15 Rifles, posted at Sparrow Dynamics, review posted Aug. 15, 2015. Site visited Aug. 30, 2019. URL: <<https://www.sparrowdynamics.com/Featureless-Grip-AR-p/crg-15.htm>> (Year: 2015).*

(Continued)

Primary Examiner — Kevin K Rudzinski

Assistant Examiner — Kathleen L Jones

(74) *Attorney, Agent, or Firm* — Richard A. Ryan

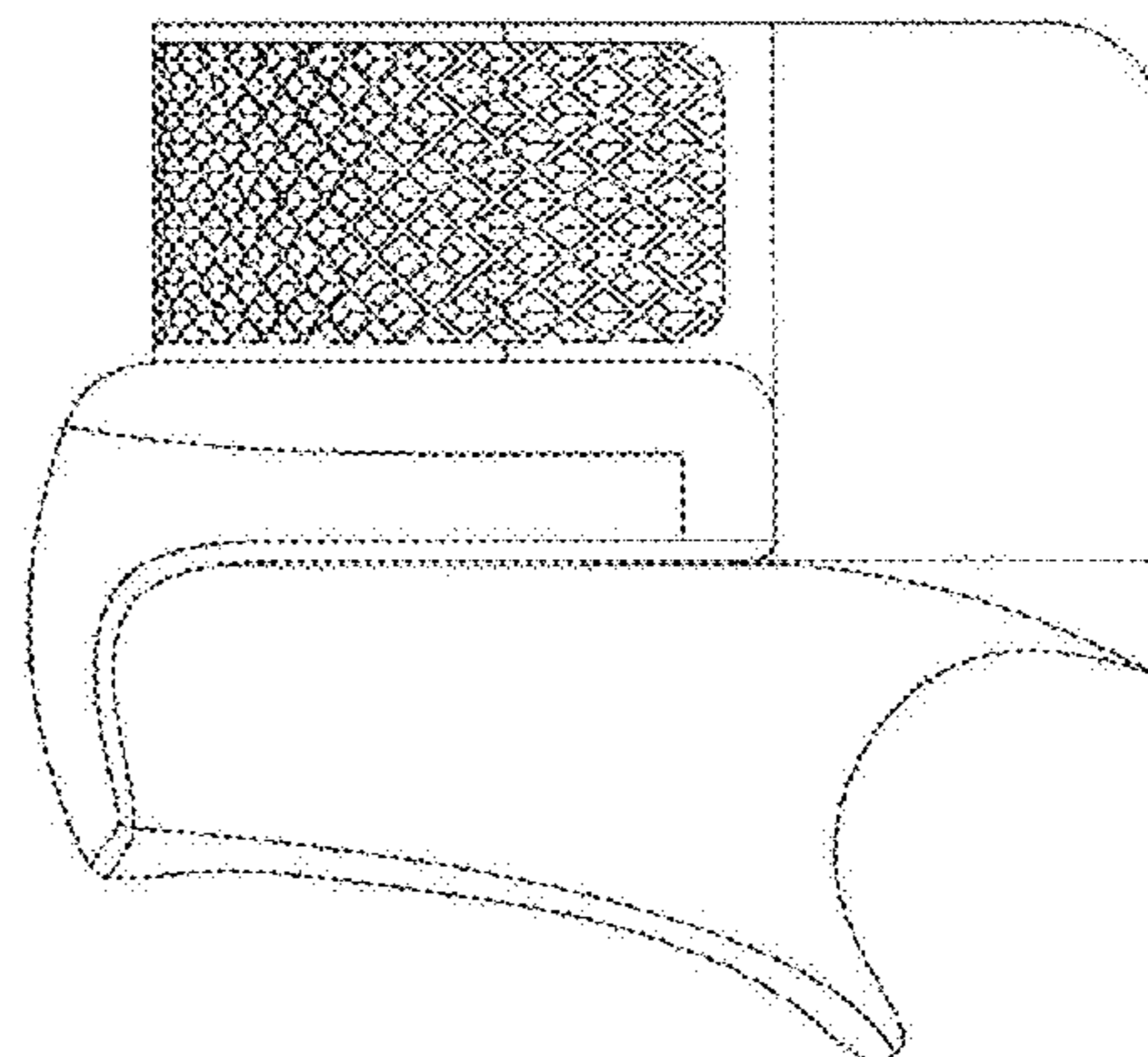
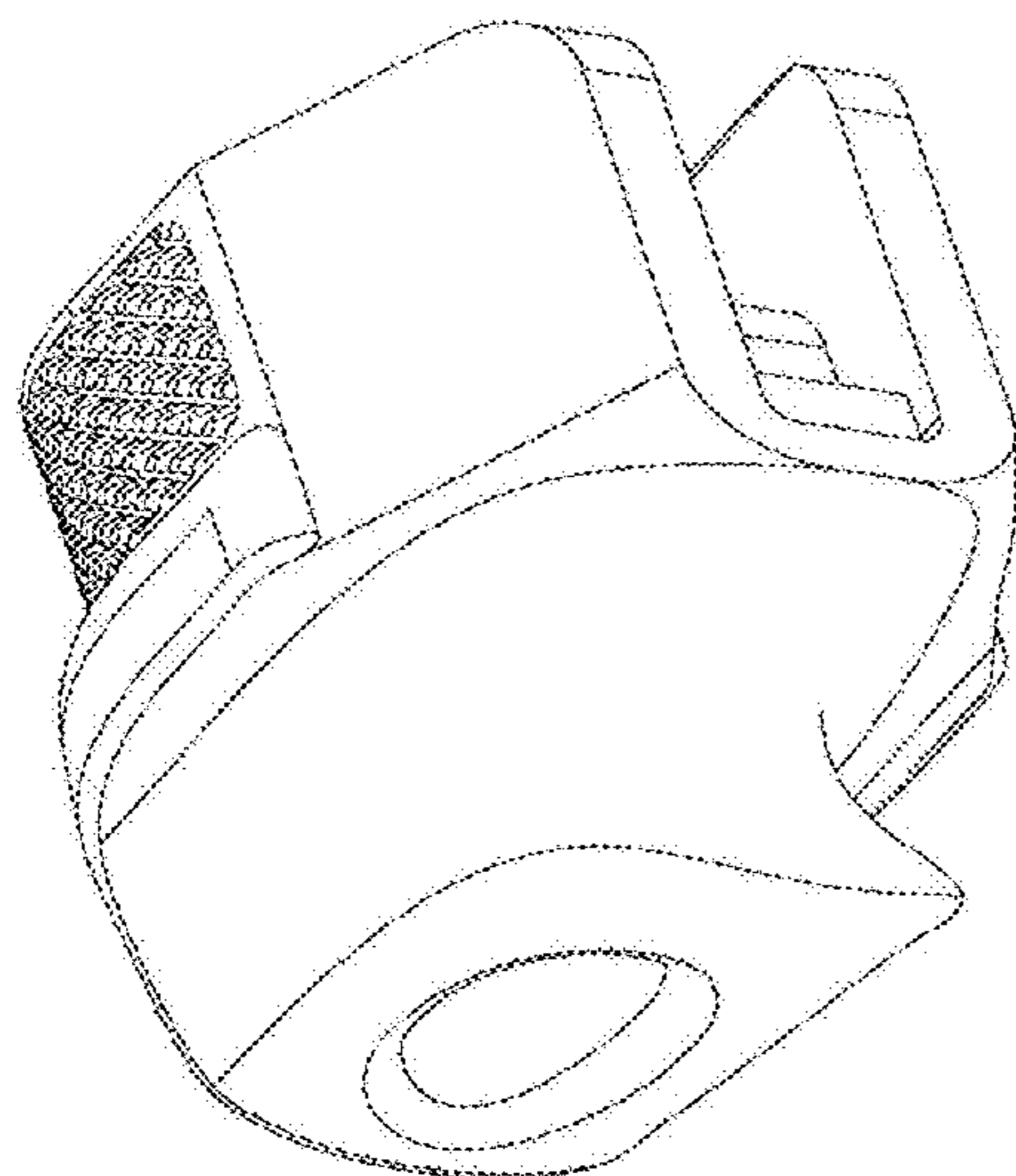
(57) **CLAIM**

The ornamental design for a non-pistol grip for firearms, as shown and described.

DESCRIPTION

FIG. 1 is a right side perspective view of the non-pistol grip for firearms of the present invention;
FIG. 2 is a front elevation view of the non-pistol grip for firearms of FIG. 1;
FIG. 3 is a rear elevation view of the non-pistol grip for firearms of FIG. 1;
FIG. 4 is a top view of the non-pistol grip for firearms of FIG. 1;
FIG. 5 is a bottom view of the non-pistol grip for firearms of FIG. 1;
FIG. 6 is a left side view of the non-pistol grip for firearms of FIG. 1; and,
FIG. 7 is a right side view of the non-pistol grip for firearms of FIG. 1.

1 Claim, 2 Drawing Sheets



(56)

References Cited

U.S. PATENT DOCUMENTS

D848,566 S *	5/2019	Saadon	D22/108
2012/0137562 A1 *	6/2012	Langevin	F41C 23/14
			42/75.03
2012/0167431 A1 *	7/2012	Rogers	F41C 23/16
			42/72
2012/0180360 A1 *	7/2012	Jones	F41A 11/02
			42/75.03
2014/0082983 A1 *	3/2014	Ermossa	F41C 23/10
			42/69.01
2016/0178314 A1 *	6/2016	Kielsmeier	F41C 23/14
			42/73
2017/0205188 A1 *	7/2017	Chavez	F41C 23/10

OTHER PUBLICATIONS

Kel Tec P32 and P3AT Grip Extension Black, posted at Optics Planet, review posted Aug. 17, 2018. Site visited Aug. 30, 2019. URL: <<https://www.opticsplanet.com/kel-tec-p32-and-p3at-grip-extension-black-p3at-309.html>> (Year: 2018).*

Bravo Company Gunfighter's Grip, posted at Natchez, posting date not available. Site visited Aug. 30, 2019. URL: <<https://www.natchezss.com/bravo-company-gunfighter-s-grip-mod0-fits-ar-rifles-black-bcm-gfg-mod-0-blk.html>>.*

* cited by examiner

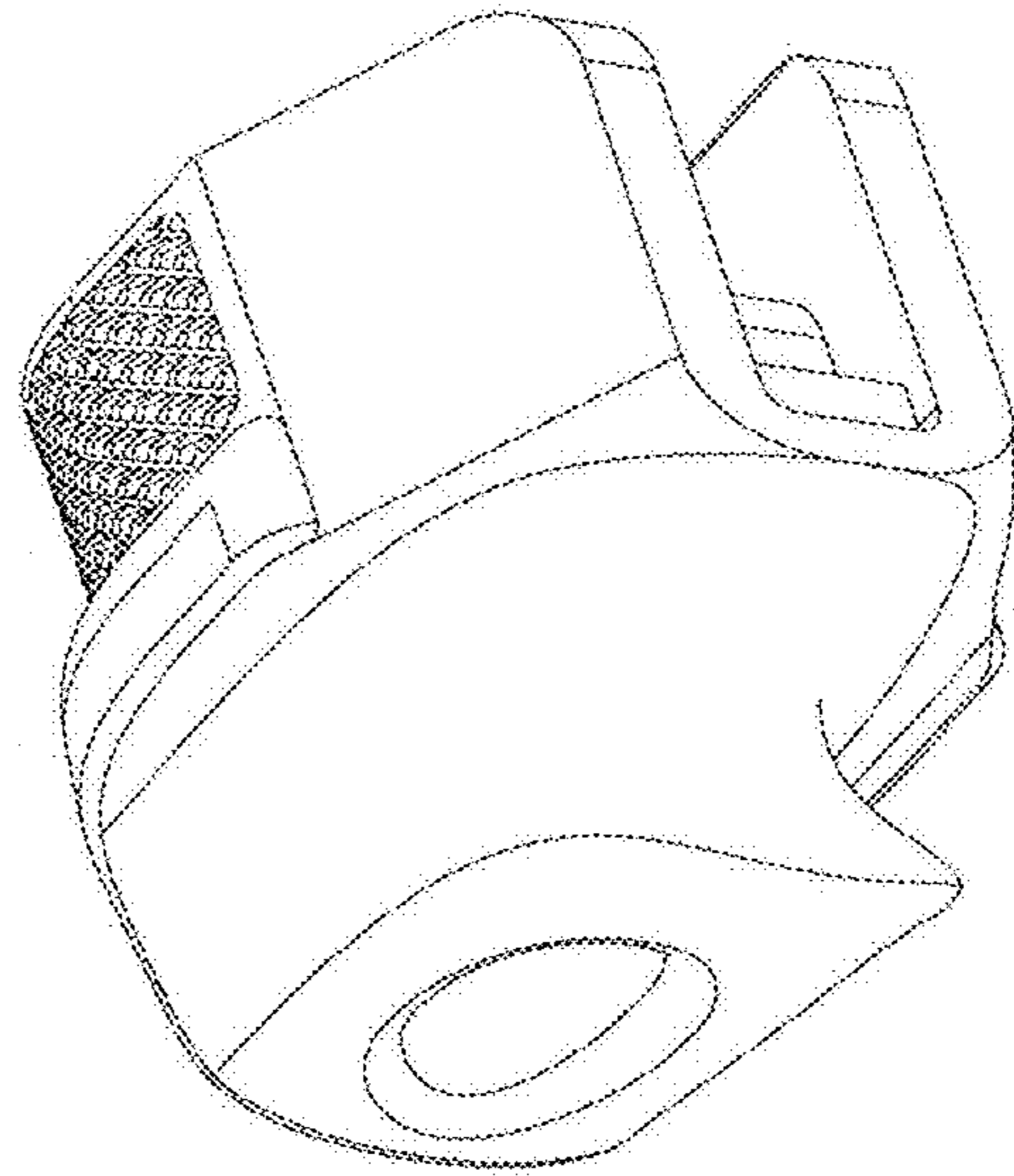


FIG. 1

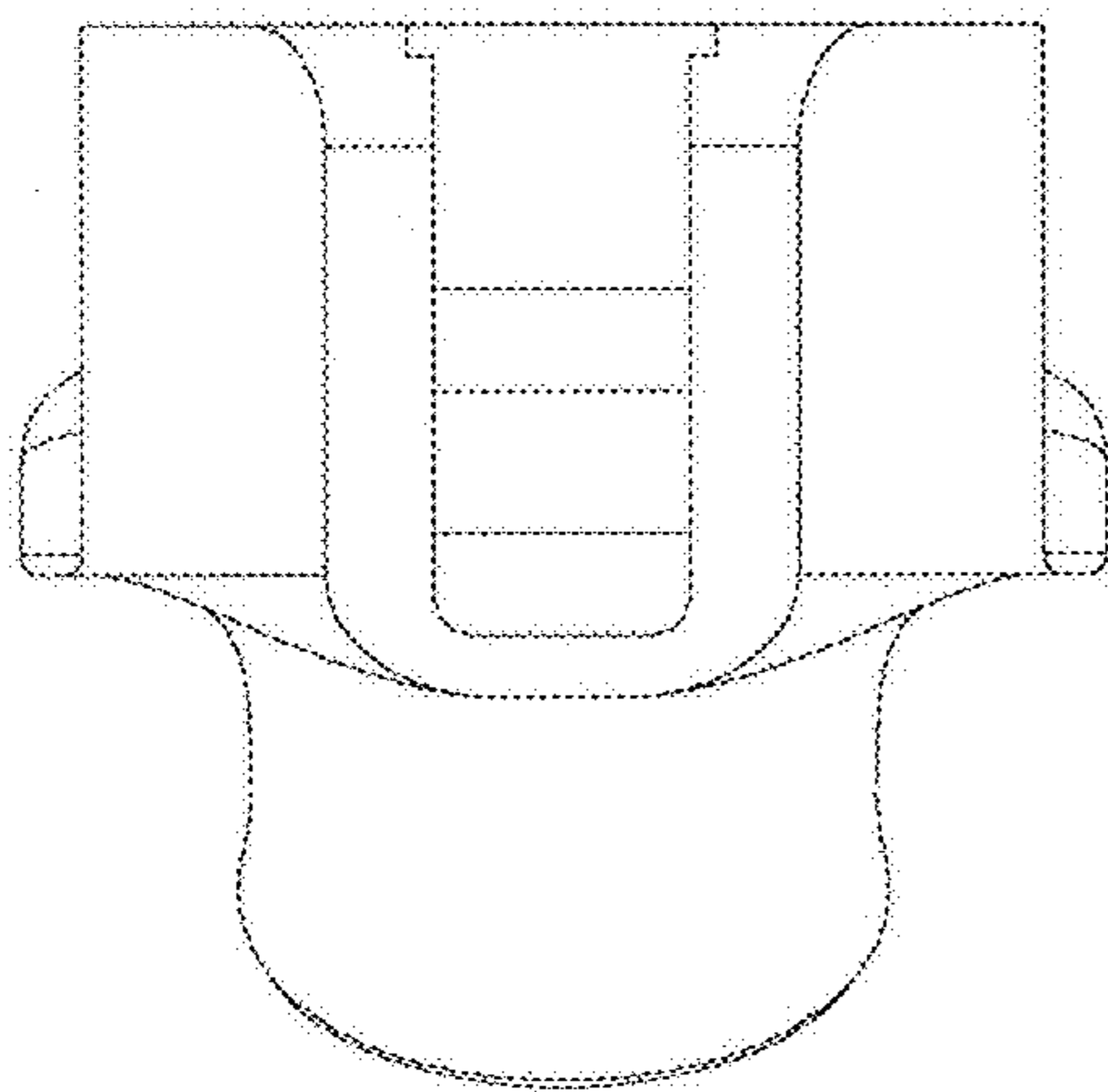


FIG. 2

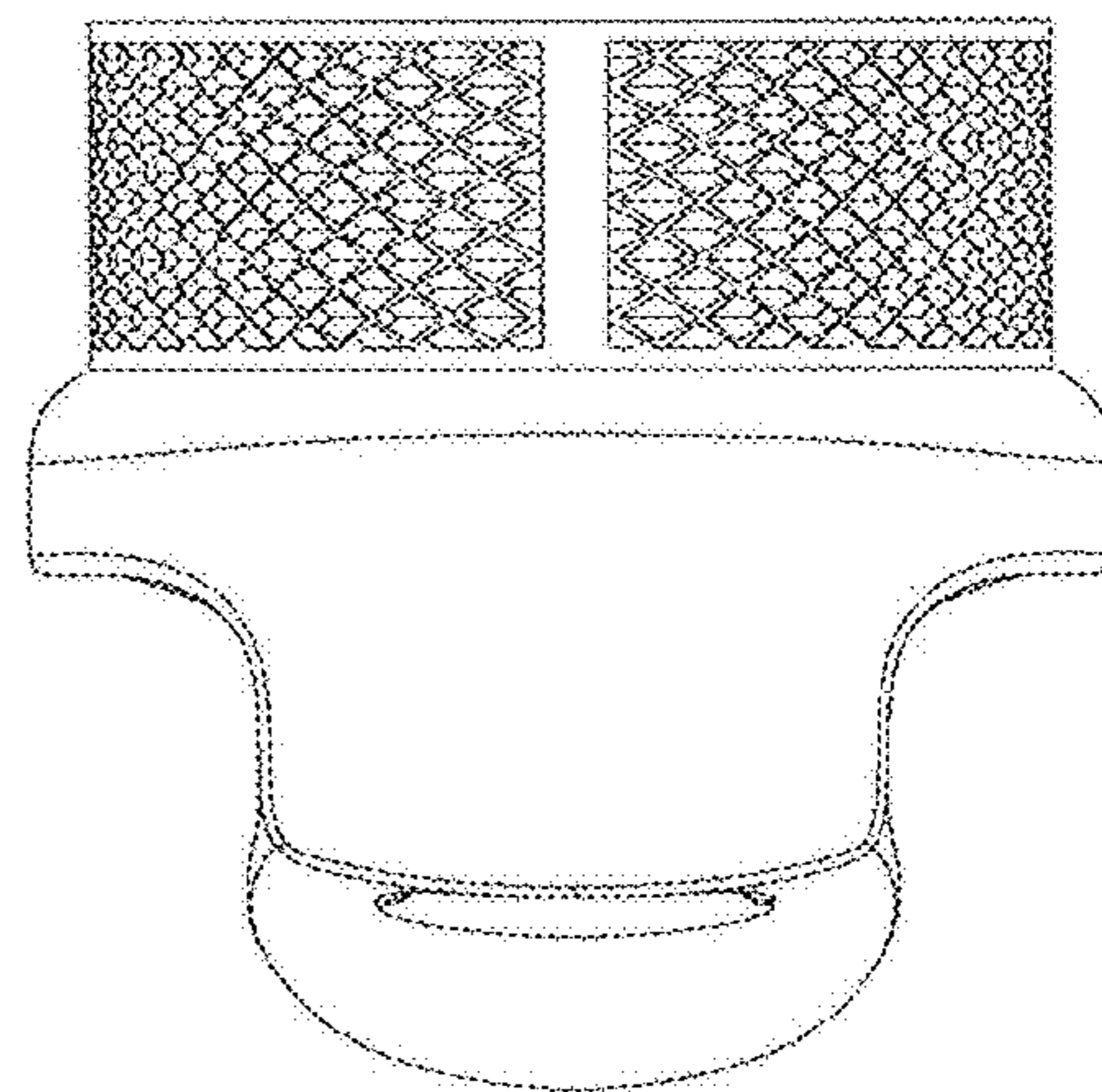


FIG. 3

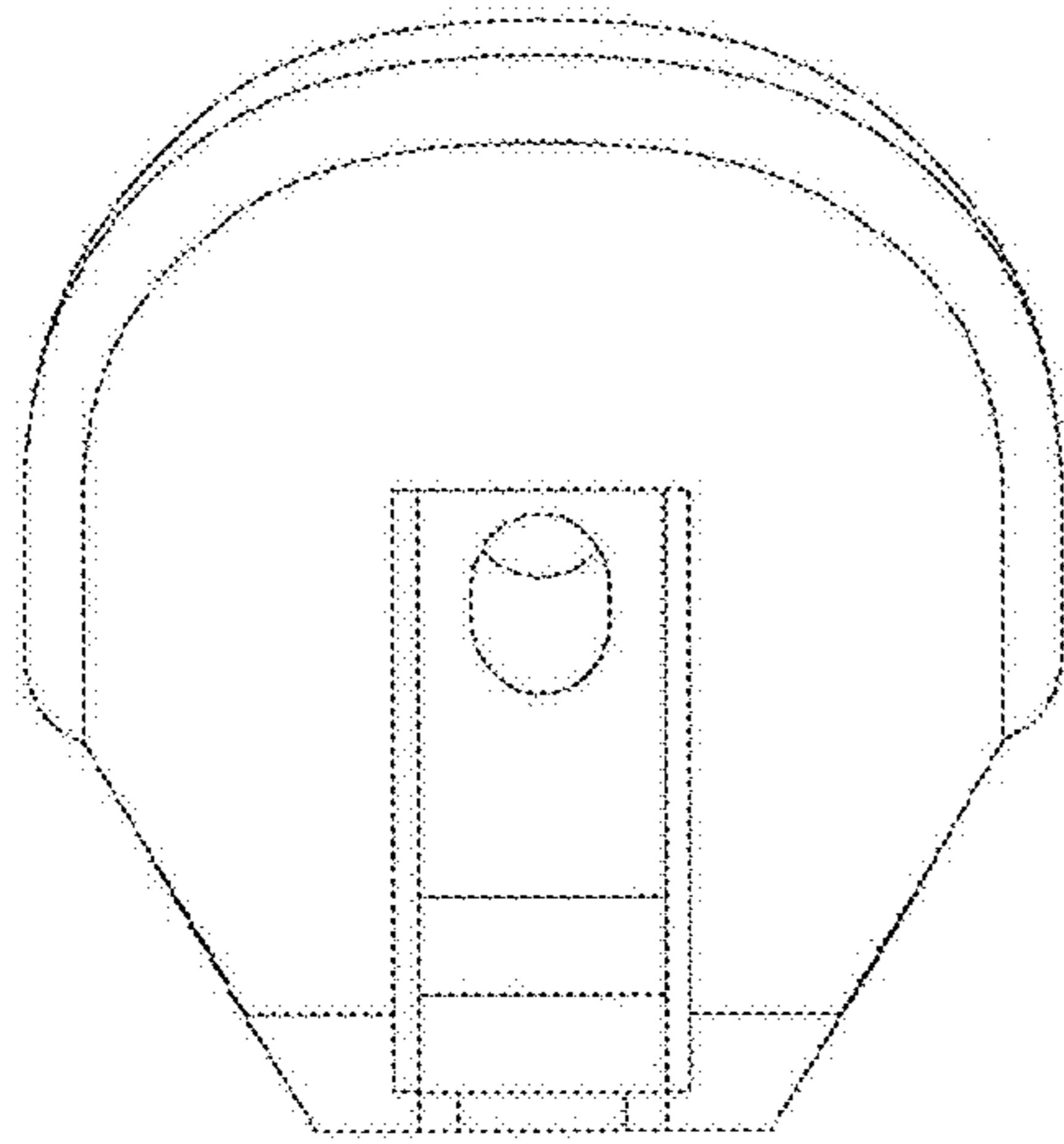


FIG. 4

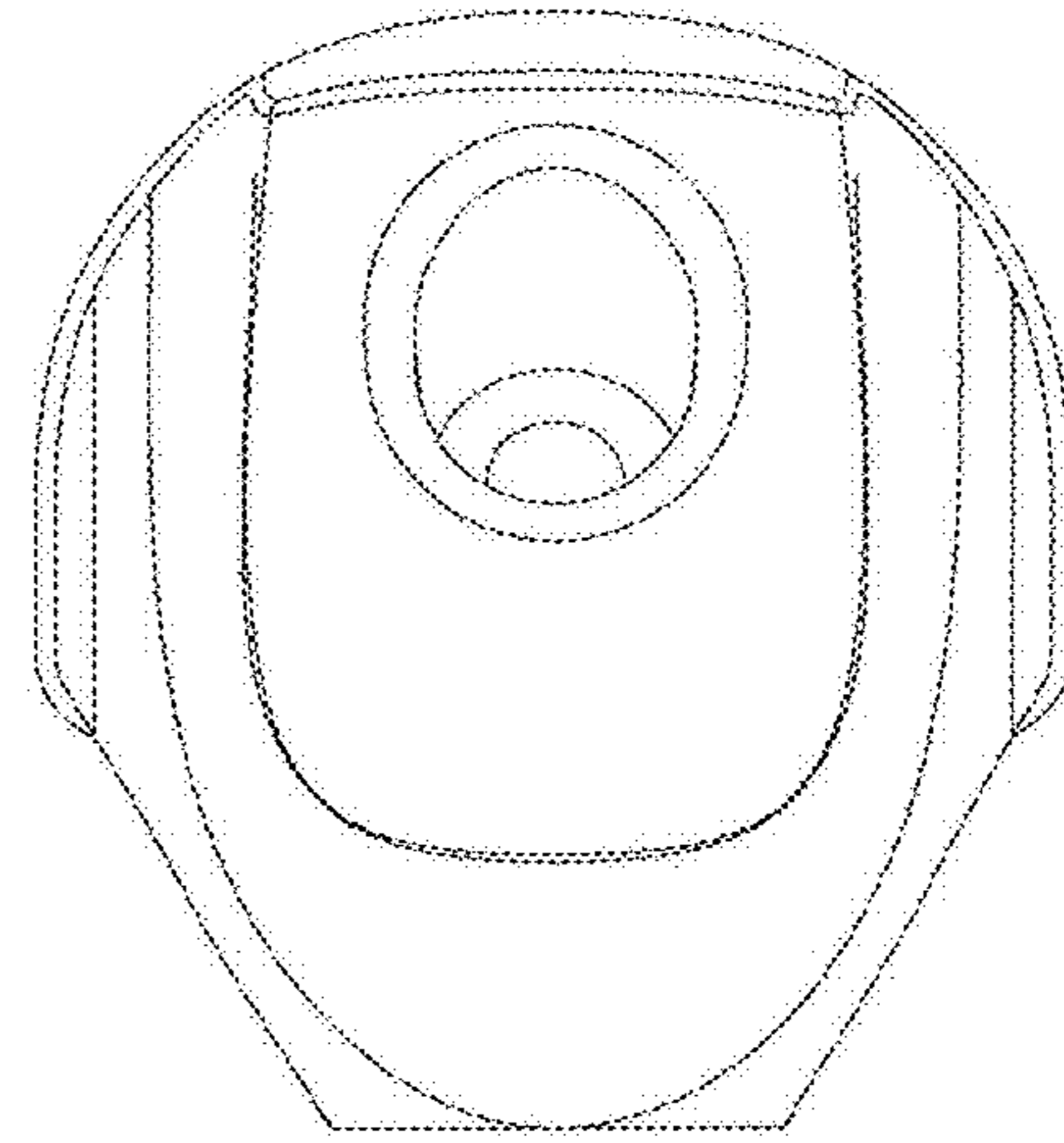


FIG. 5

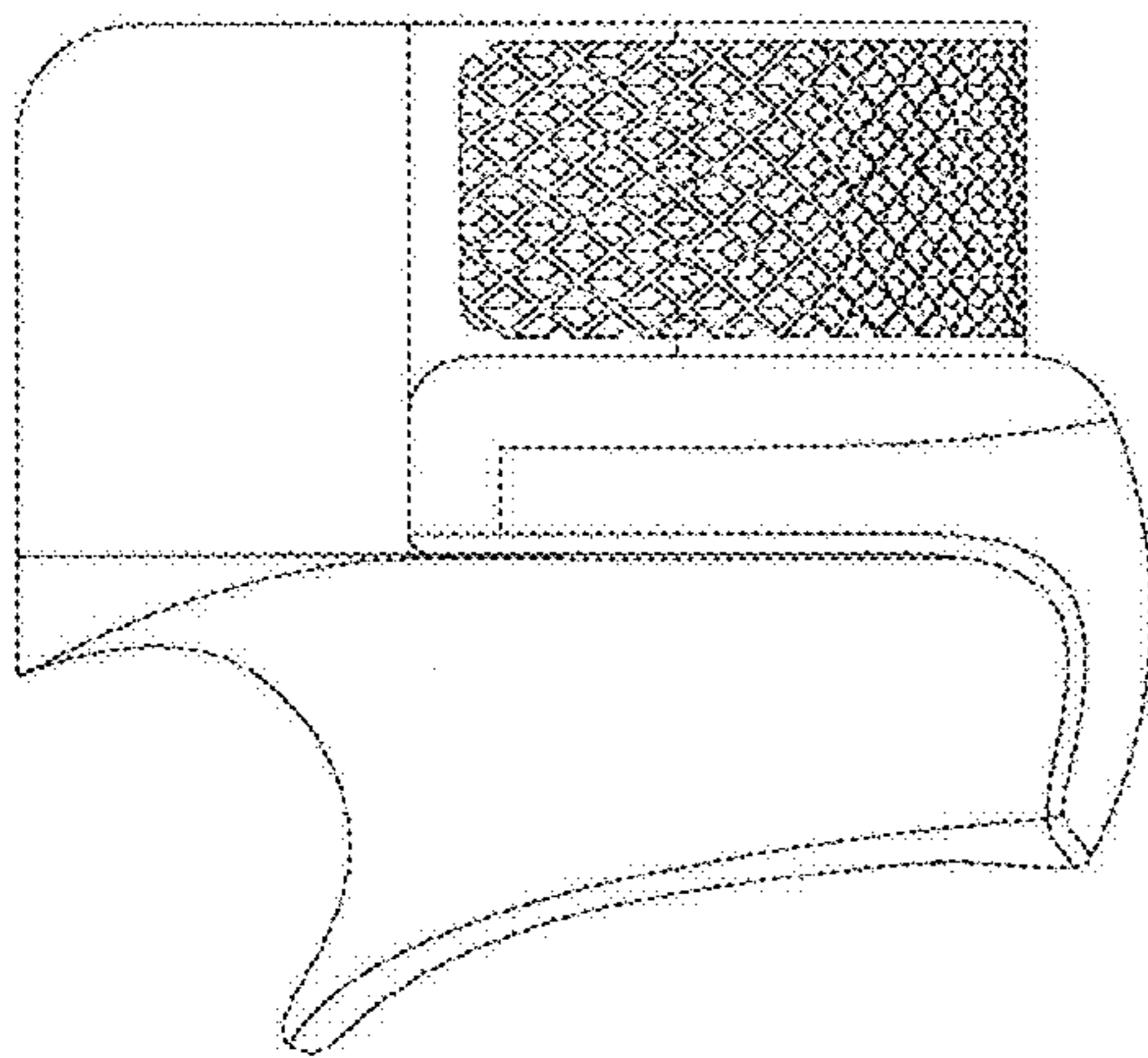


FIG. 6

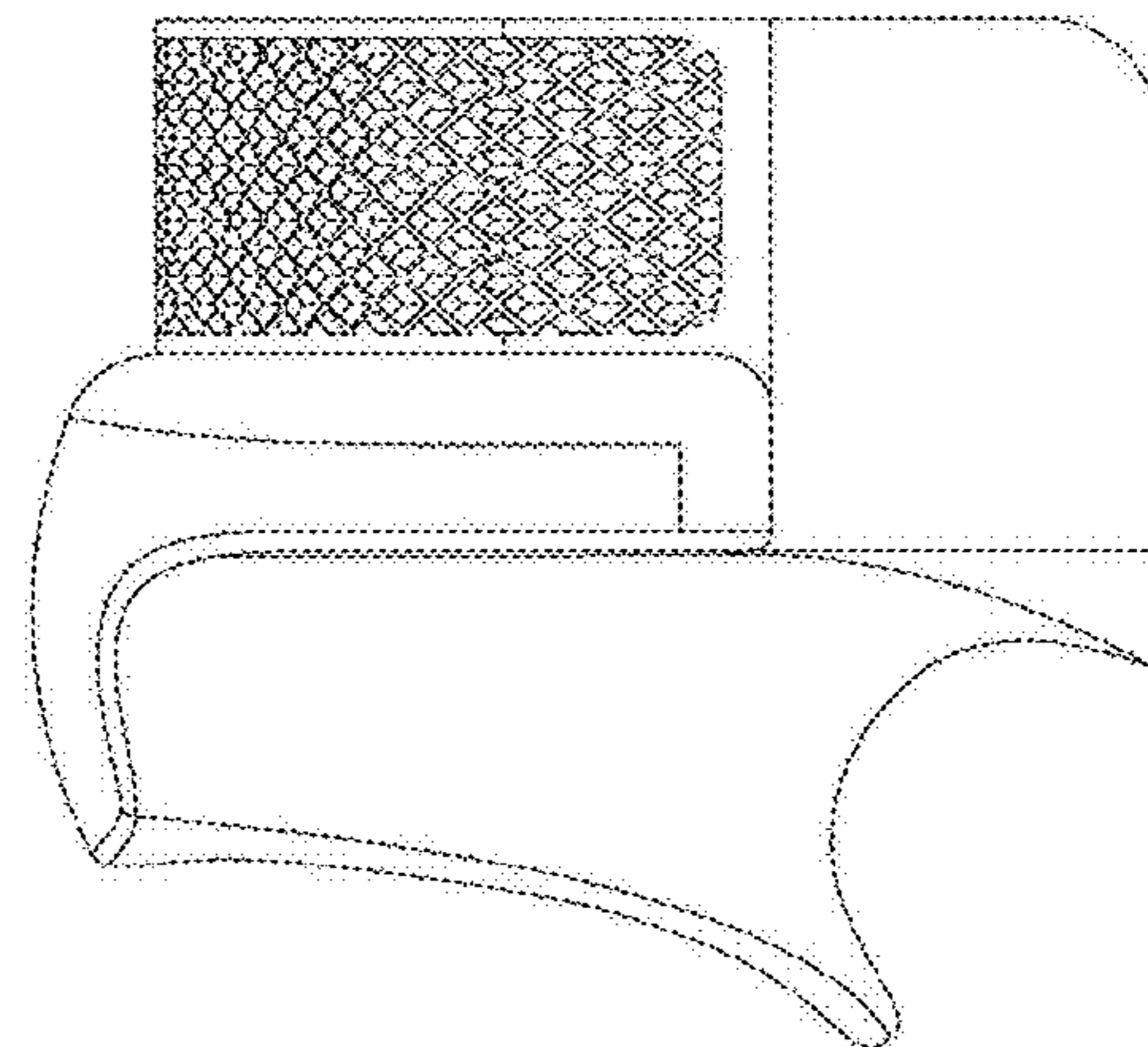


FIG. 7