



US00D865900S

(12) **United States Design Patent**
Rofkahr, Jr. et al.

(10) **Patent No.:** **US D865,900 S**
(45) **Date of Patent:** **** Nov. 5, 2019**

(54) **L SHAPED TRIGGER DAMPENING
ABSORBER**

(71) Applicants: **James J. Rofkahr, Jr.**, Altus, AR (US);
Michael D. Rofkahr, Ozark, AR (US)

(72) Inventors: **James J. Rofkahr, Jr.**, Altus, AR (US);
Michael D. Rofkahr, Ozark, AR (US)

(**) Term: **15 Years**

(21) Appl. No.: **29/656,088**

(22) Filed: **Jul. 10, 2018**

(51) **LOC (12) Cl.** **22-01**

(52) **U.S. Cl.**
USPC **D22/108**

(58) **Field of Classification Search**
USPC D22/100–111, 115–116, 119–120, 199;
D21/300, 301, 573–575
CPC . F41G 1/02; F41G 1/027; F41G 1/033; F41G
1/06; F41G 3/26; F41C 23/10; F41C
23/16; F41J 1/00
See application file for complete search history.

(56) **References Cited**

U.S. PATENT DOCUMENTS

3,274,742 A * 9/1966 Paul, Jr. C21C 5/44
52/245
D311,444 S * 10/1990 Forsberg D25/113
D330,056 S * 10/1992 Pagel D21/505
D614,464 S * 4/2010 Wessel, IV D8/29
8,127,657 B2 * 3/2012 Gorali F42C 15/42
42/70.04

D717,905 S * 11/2014 Prince D22/108
D726,069 S * 4/2015 Garibovic D11/143
9,182,186 B1 * 11/2015 Prince F41A 17/38
D777,286 S * 1/2017 Weigand D22/108
D779,982 S * 2/2017 Madrid D10/70
D783,729 S * 4/2017 Glasband D21/484
D817,436 S * 5/2018 Bender D22/108

* cited by examiner

Primary Examiner — Khawaja Anwar

Assistant Examiner — Mojtaba Tehrani

(74) *Attorney, Agent, or Firm* — Keisling + Pieper PLC;
David B. Pieper

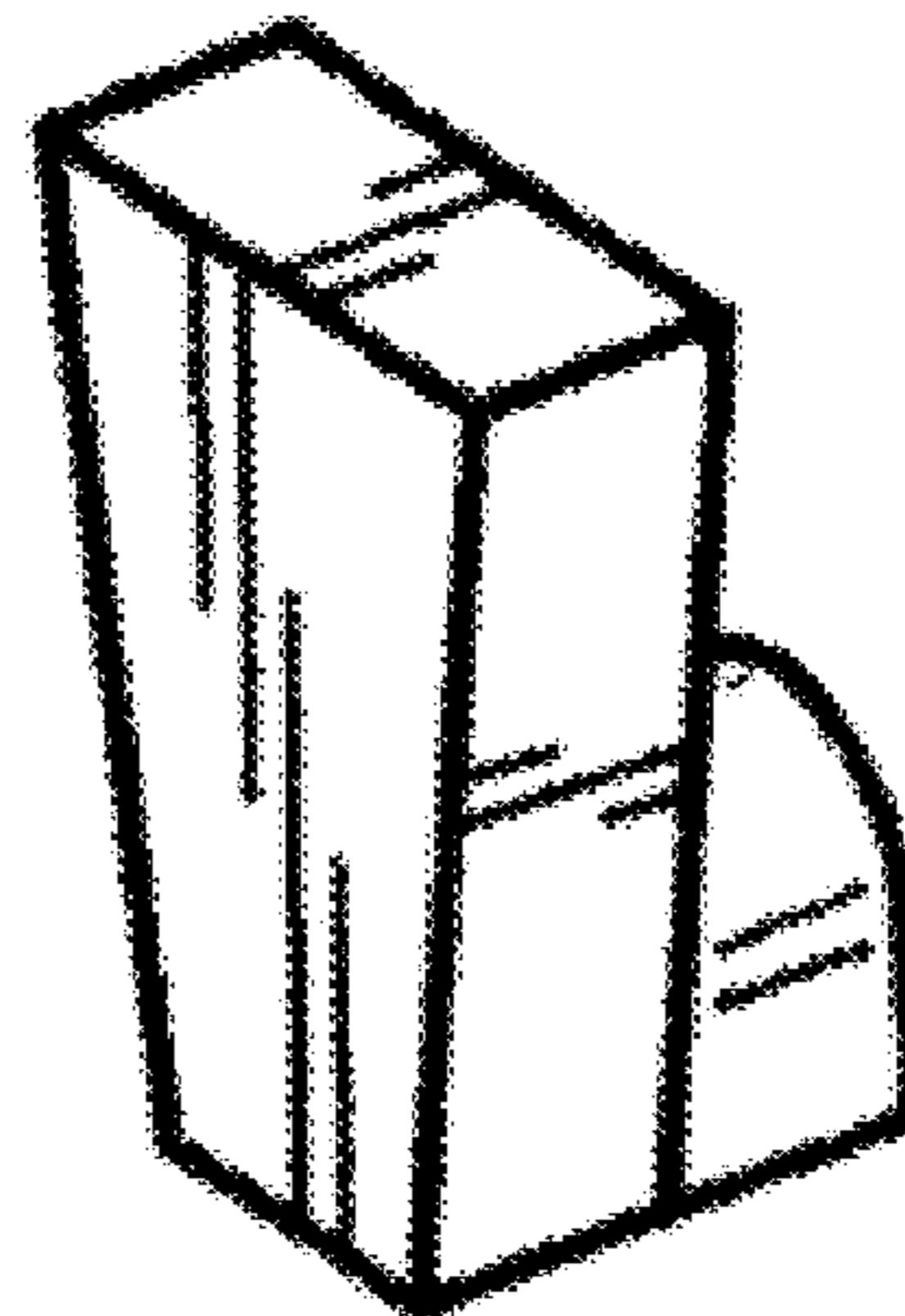
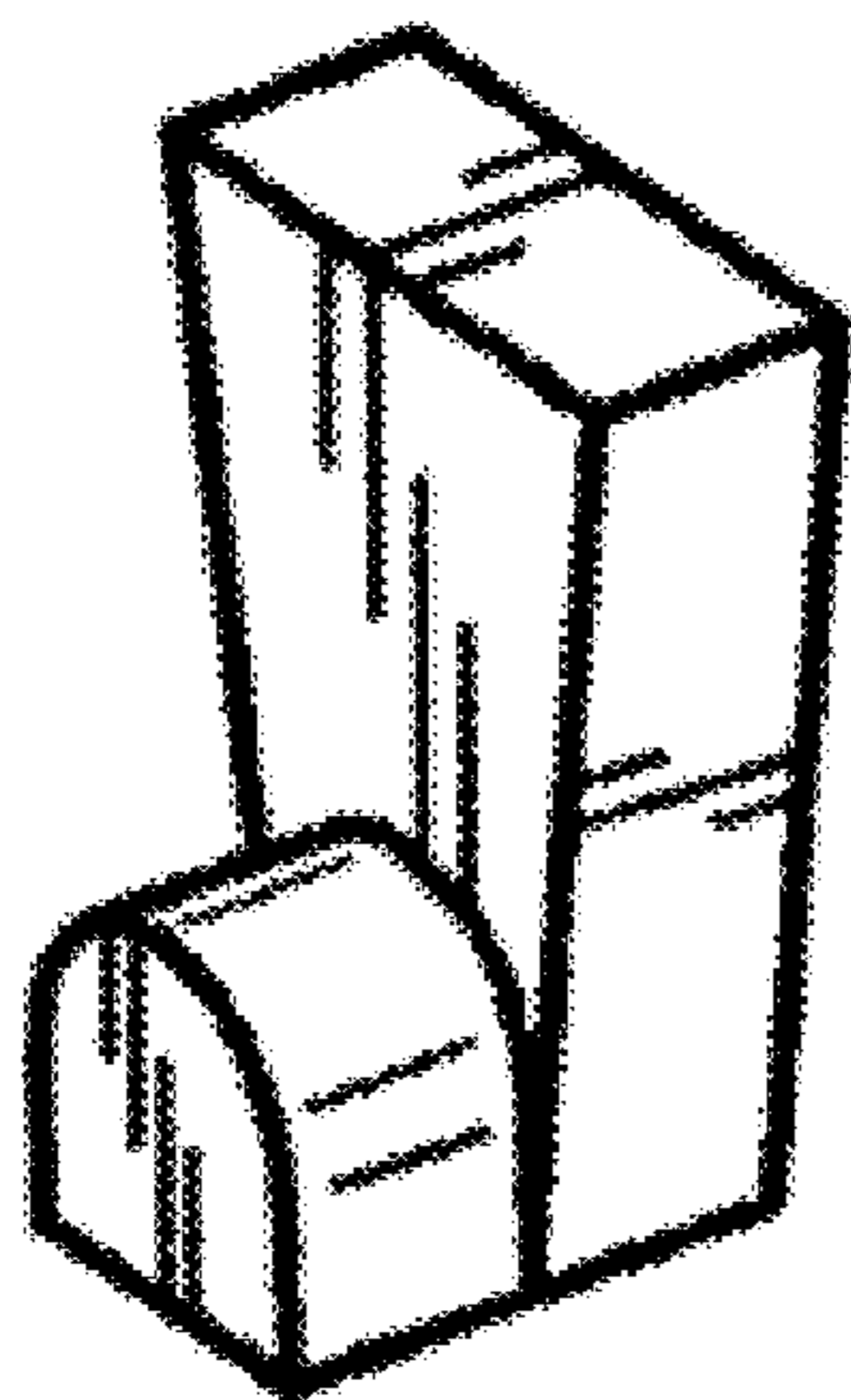
(57) **CLAIM**

The ornamental design for an L shaped trigger dampening
absorber, as shown and described.

DESCRIPTION

FIG. 1 is a perspective view of an L shaped trigger damp-
ening absorber, showing our new design;
FIG. 2 is another perspective view thereof;
FIG. 3 is a top elevational view thereof;
FIG. 4 is a left side elevational view thereof;
FIG. 5 is a front elevational view thereof; and,
FIG. 6 is a right side elevational view thereof;
FIG. 7 is a back elevational view thereof; and
FIG. 8 is a bottom elevational view thereof; and,
FIG. 9 is an environmental view thereof showing an instal-
lation between the trigger mechanism and frame of a gun.
The broken lines showing the trigger mechanism and frame
of a gun are for the purpose of illustrating environmental
structure and form no part of the claimed design.

1 Claim, 1 Drawing Sheet



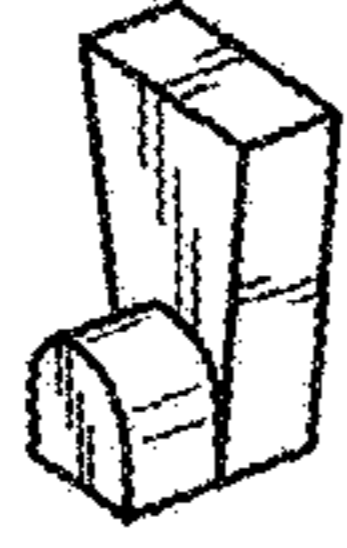


FIG. 1

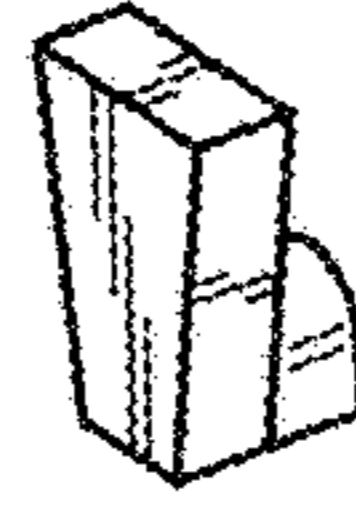


FIG. 2

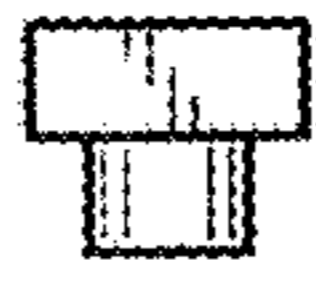


FIG. 3



FIG. 4



FIG. 5



FIG. 6



FIG. 7



FIG. 8

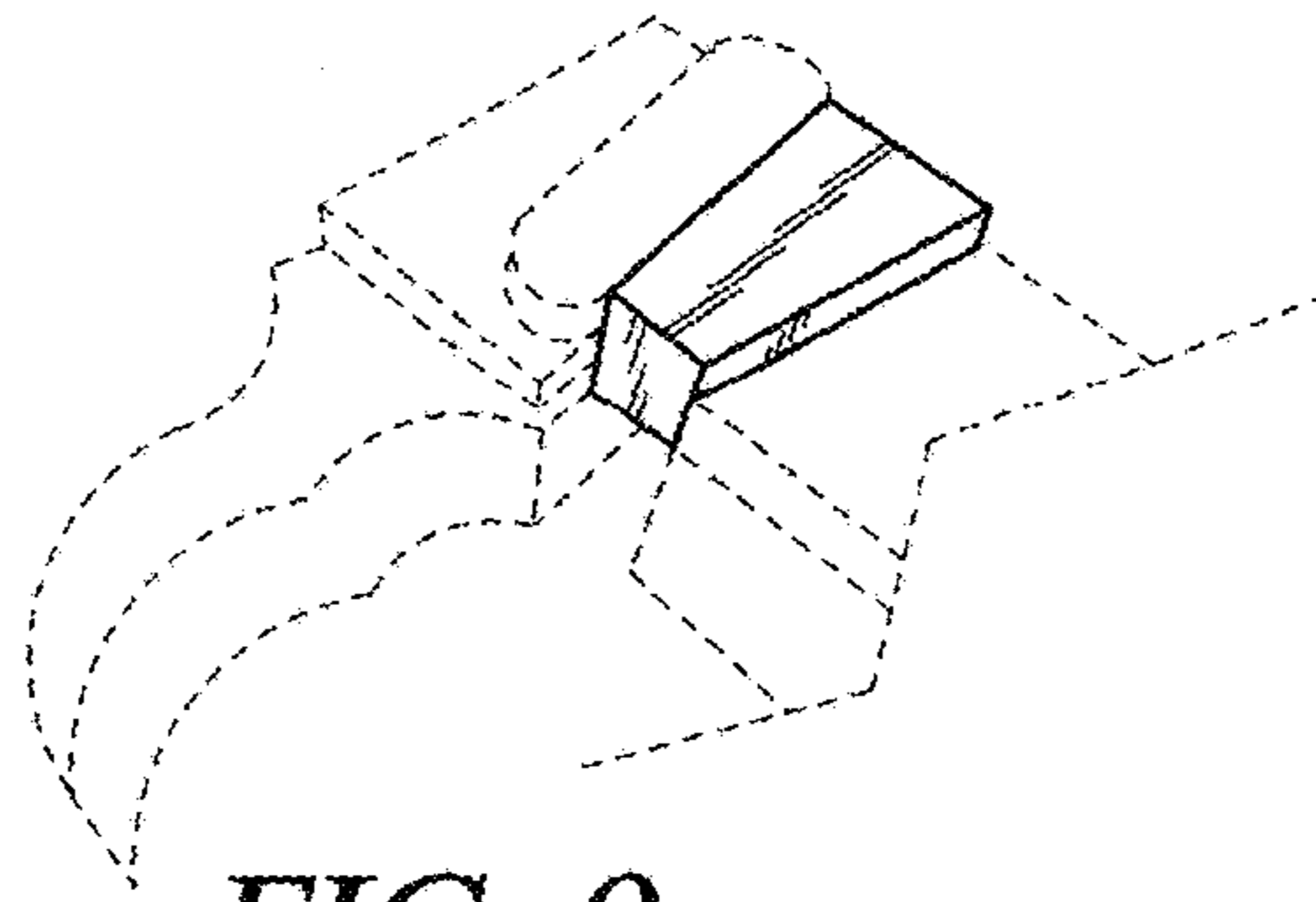


FIG. 9