

US00D865899S

(12) **United States Design Patent** (10) **Patent No.:** **US D865,899 S**  
**Lister** (45) **Date of Patent:** **\*\* Nov. 5, 2019**

(54) **GRIP FOR FIREARM**

(71) Applicant: **Stephen D. Lister**, Virginia Beach, VA (US)

(72) Inventor: **Stephen D. Lister**, Virginia Beach, VA (US)

(\*\*) Term: **15 Years**

(21) Appl. No.: **29/644,601**

(22) Filed: **Apr. 19, 2018**

(51) **LOC (12) Cl.** ..... **22-01**

(52) **U.S. Cl.**

USPC ..... **D22/108**

(58) **Field of Classification Search**

USPC ..... D22/100, 101, 102, 103, 104, 105, 106,  
D22/107, 108, 109, 110, 111, 199;  
D21/571, 573, 574, 575, 746

CPC ..... F41C 23/14; F41C 23/20; F41C 23/04;  
F41C 23/00; F41C 23/10; F41C 27/00;  
F41C 7/00; F41C 23/06; F41C 3/00;  
F41B 5/10; F41B 5/14; F41B 5/0094;  
F41B 5/1469; F41B 5/00

See application file for complete search history.

(56) **References Cited**

**U.S. PATENT DOCUMENTS**

D273,316 S \* 4/1984 Lambert ..... D22/104  
6,981,344 B2 \* 1/2006 Cahill ..... F41C 23/10  
42/71.01  
D600,309 S \* 9/2009 Fitzpatrick ..... D22/109  
D600,310 S \* 9/2009 Fitzpatrick ..... D22/109  
D639,889 S \* 6/2011 Troy, Jr. .... D22/108

(Continued)

**OTHER PUBLICATIONS**

Magpul Grips. Product Catalog [online]. Magpul Industries Corp., [Retrieved on Feb. 27, 2019]. Retrieved from the Internet: <<https://www.magpul.com/firearms-accessories/grips/ar15-m4-m16-sr25-m110-ar10>>.\*

*Primary Examiner* — Khawaja Anwar

*Assistant Examiner* — Mojtaba Tehrani

(74) *Attorney, Agent, or Firm* — Shaddock Law Group, PC

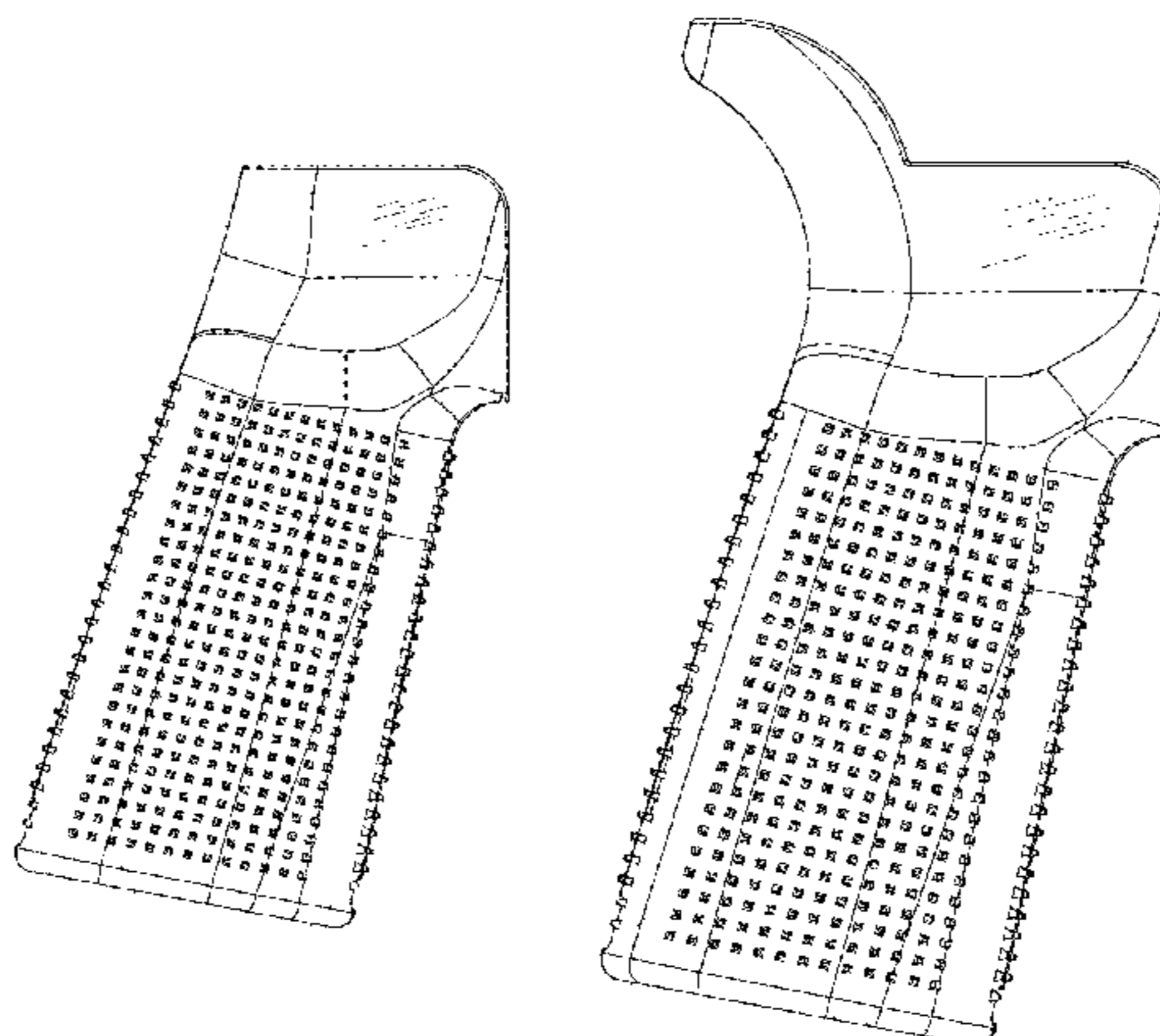
(57) **CLAIM**

The ornamental design for a grip for firearm, as shown and described.

**DESCRIPTION**

FIG. 1 is an upper, right, front perspective view of a first embodiment of a grip for firearm, showing my new design; FIG. 2 is an upper, left, rear perspective view thereof; FIG. 3 is a right side view thereof; FIG. 4 is a left side view thereof; FIG. 5 is a front view thereof; FIG. 6 is a rear view thereof; FIG. 7 is a top view thereof; FIG. 8 is a bottom view thereof; FIG. 9 is an upper, right, front perspective view of a second embodiment of a grip for firearm, showing my new design; FIG. 10 is an upper, left, rear perspective view thereof; FIG. 11 is a right side view thereof; FIG. 12 is a left side view thereof; FIG. 13 is a front view thereof; FIG. 14 is a rear view thereof; FIG. 15 is a top view thereof; FIG. 16 is a bottom view thereof; FIG. 17 is an upper, right, front perspective view of a third embodiment of a grip for firearm, showing my new design; FIG. 18 is an upper, left, rear perspective view thereof; FIG. 19 is a right side view thereof; FIG. 20 is a left side view thereof; FIG. 21 is a front view thereof; FIG. 22 is a rear view thereof; FIG. 23 is a top view thereof; and, FIG. 24 is a bottom view thereof.

**1 Claim, 18 Drawing Sheets**



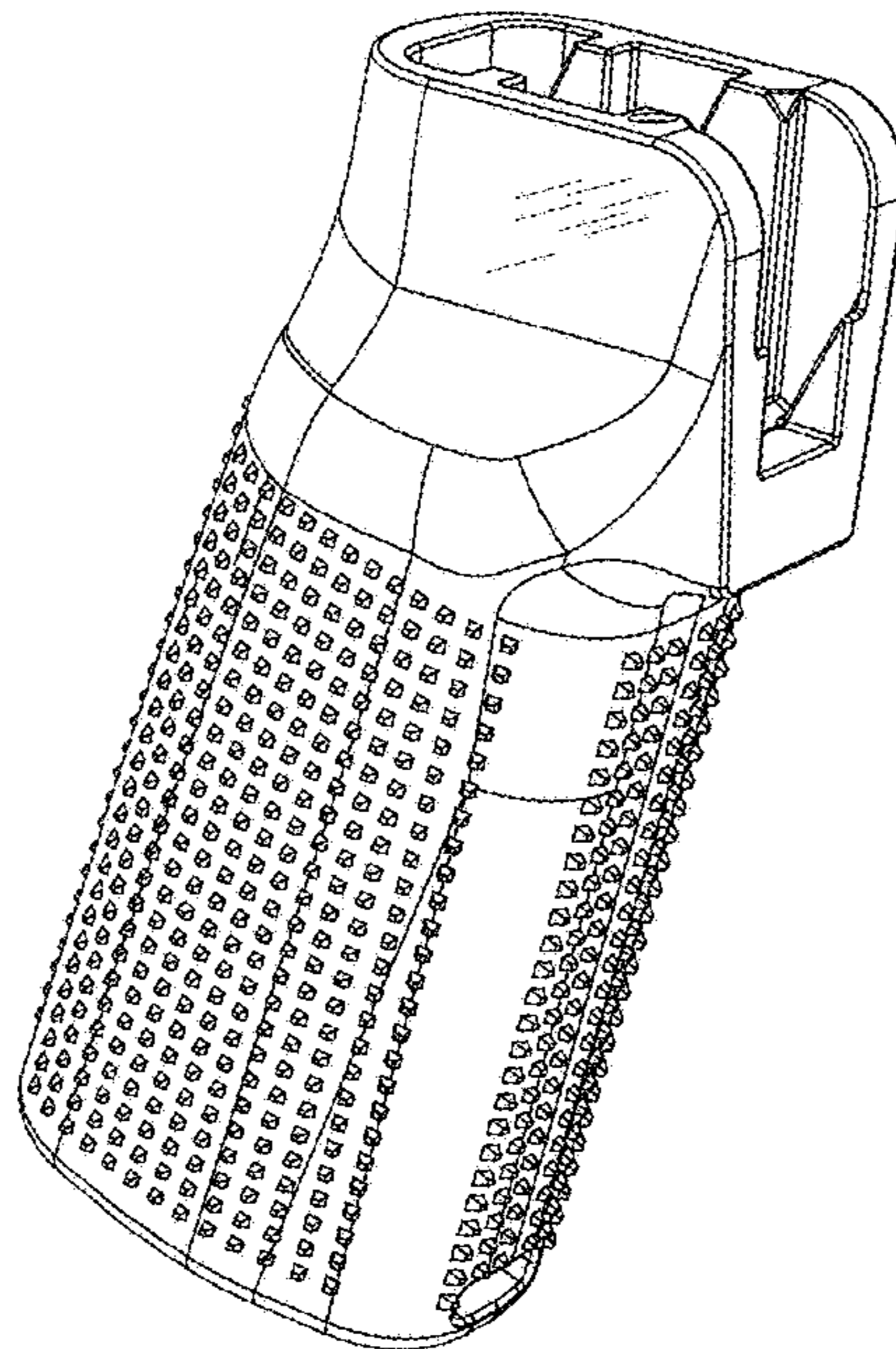
(56)

**References Cited**

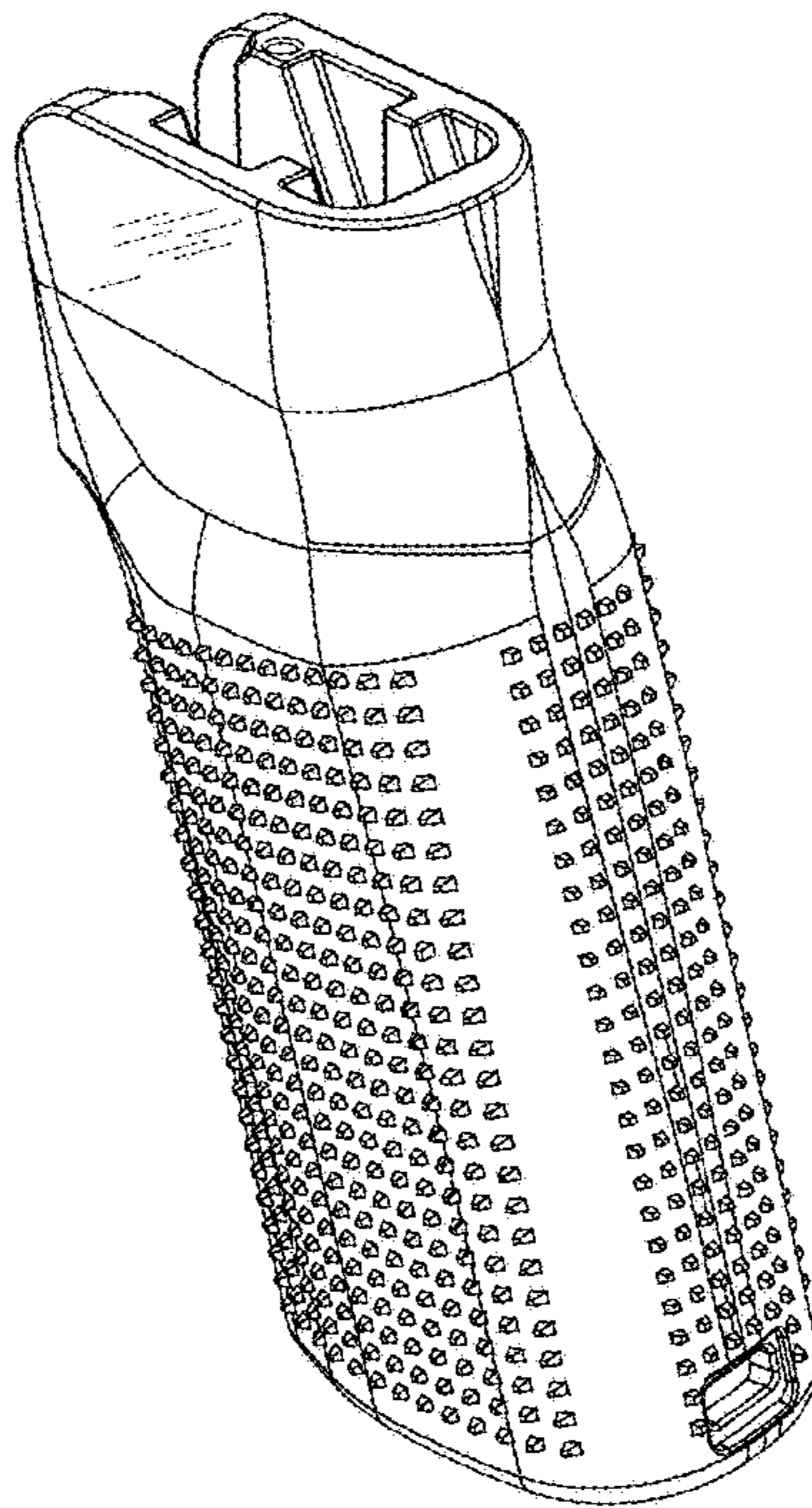
U.S. PATENT DOCUMENTS

8,151,504	B1 *	4/2012	Aiston .....	F41C 23/10 42/71.01
D667,916	S *	9/2012	Mayberry .....	D22/108
D692,517	S *	10/2013	Faifer .....	D22/108
D705,887	S *	5/2014	Fitzpatrick .....	D22/108
8,720,098	B2 *	5/2014	Burress, Jr. ....	F41C 23/10 42/71.01
D724,688	S *	3/2015	Hirt .....	D22/108
D732,135	S *	6/2015	Webber .....	D22/108
D732,136	S *	6/2015	Webber .....	D22/108
D735,832	S *	8/2015	Fitzpatrick .....	D22/108
D740,910	S *	10/2015	Hines .....	D22/108
D742,986	S *	11/2015	Ward, Jr. ....	D22/108
D763,393	S *	8/2016	Freed .....	D22/108
D769,398	S *	10/2016	Lam .....	D22/108
D769,399	S *	10/2016	Lam .....	D22/108
D774,156	S *	12/2016	Esch .....	D22/108
D792,935	S *	7/2017	Ward, Jr. ....	D22/108
D812,181	S *	3/2018	Hartley .....	D22/109
D812,708	S *	3/2018	Hartley .....	D22/109
D821,529	S *	6/2018	Cheng .....	D22/108
2011/0283581	A1 *	11/2011	Freed .....	F41A 9/65 42/49.01
2013/0125442	A1 *	5/2013	Burress, Jr. ....	F41C 23/16 42/71.01
2013/0305580	A1 *	11/2013	Burress, Jr. ....	F41C 23/16 42/71.01
2017/0108301	A1 *	4/2017	Murphy, II .....	F41A 17/066

\* cited by examiner



**FIG. 1**



**FIG. 2**

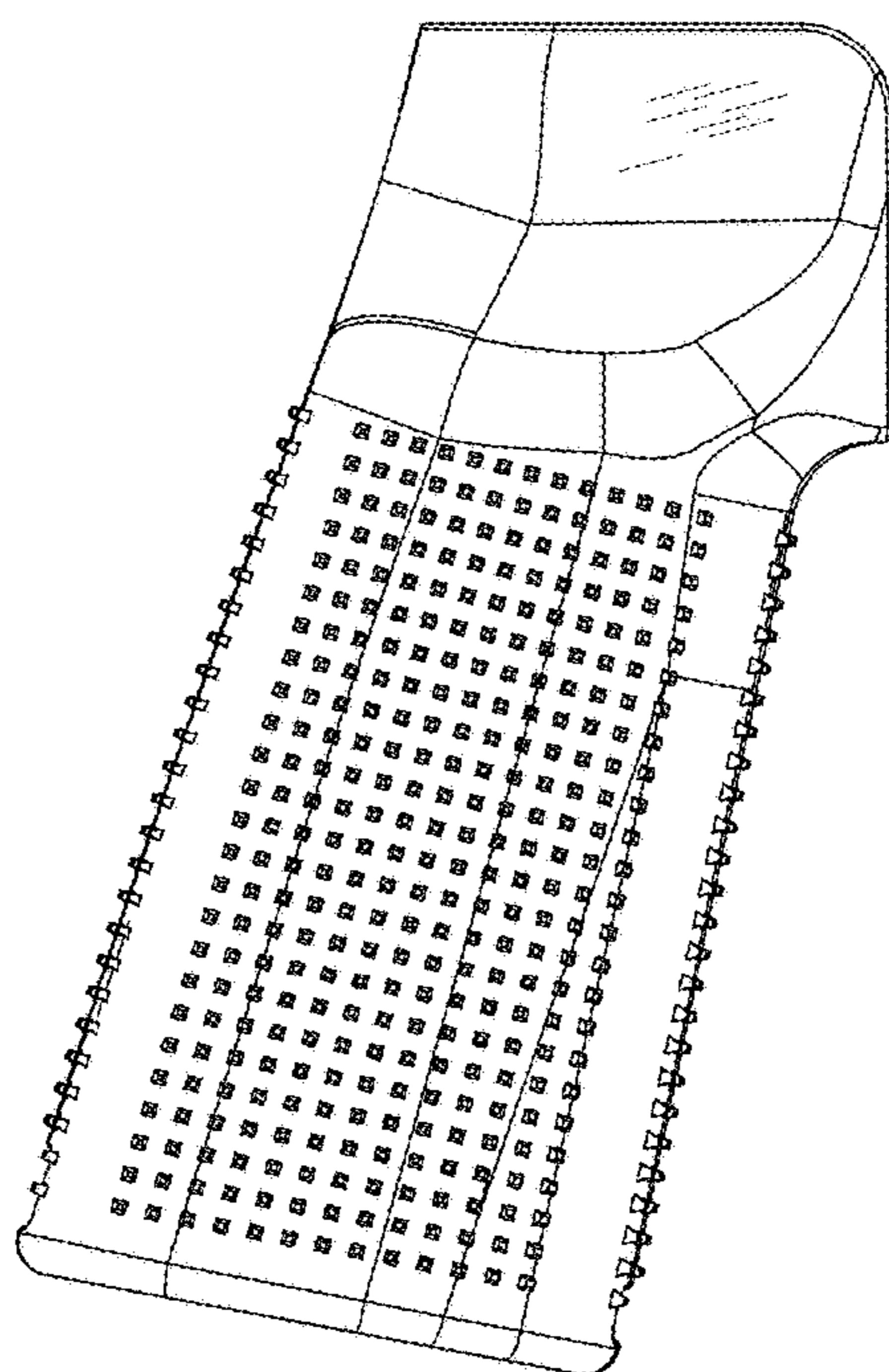
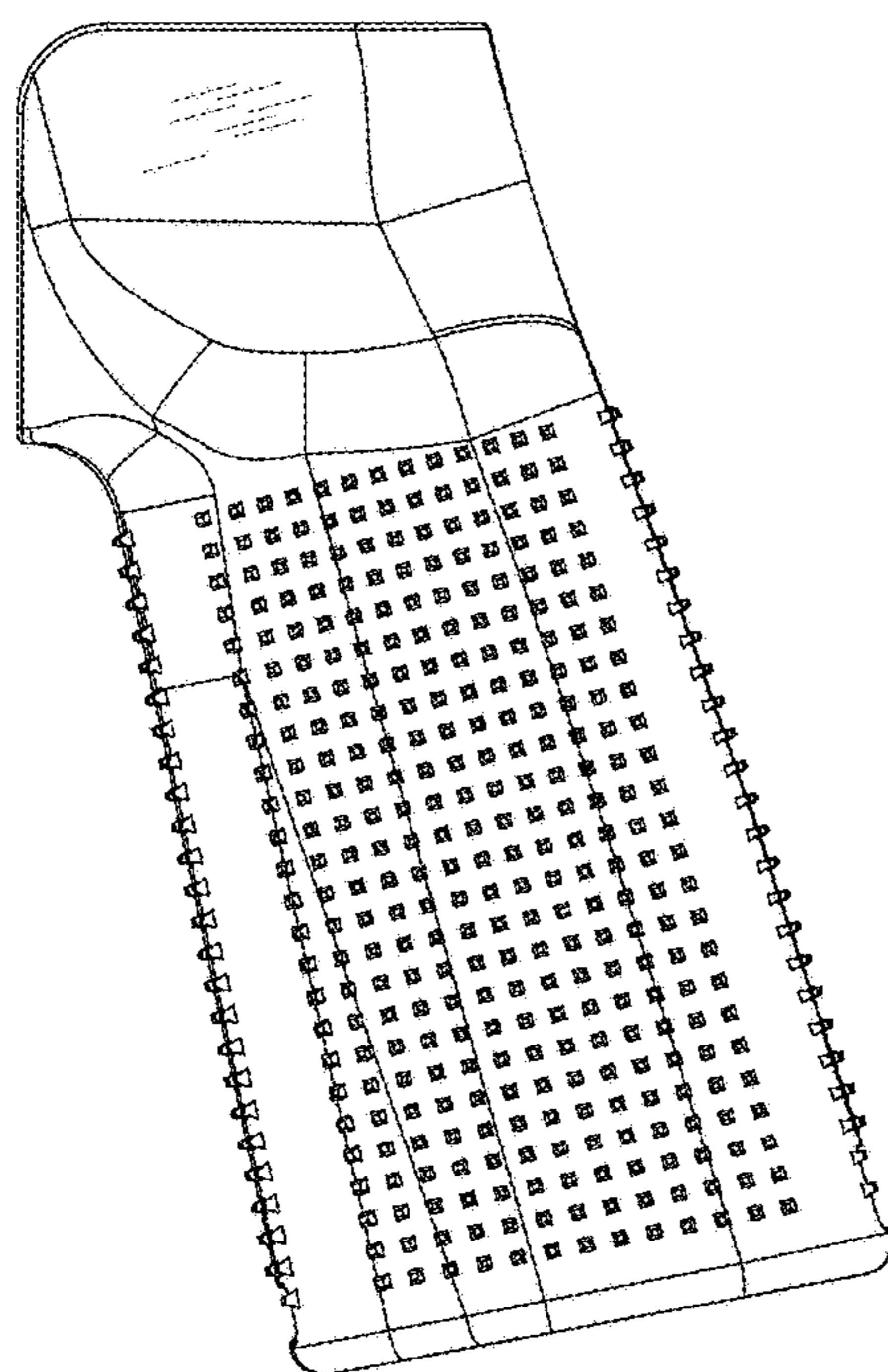
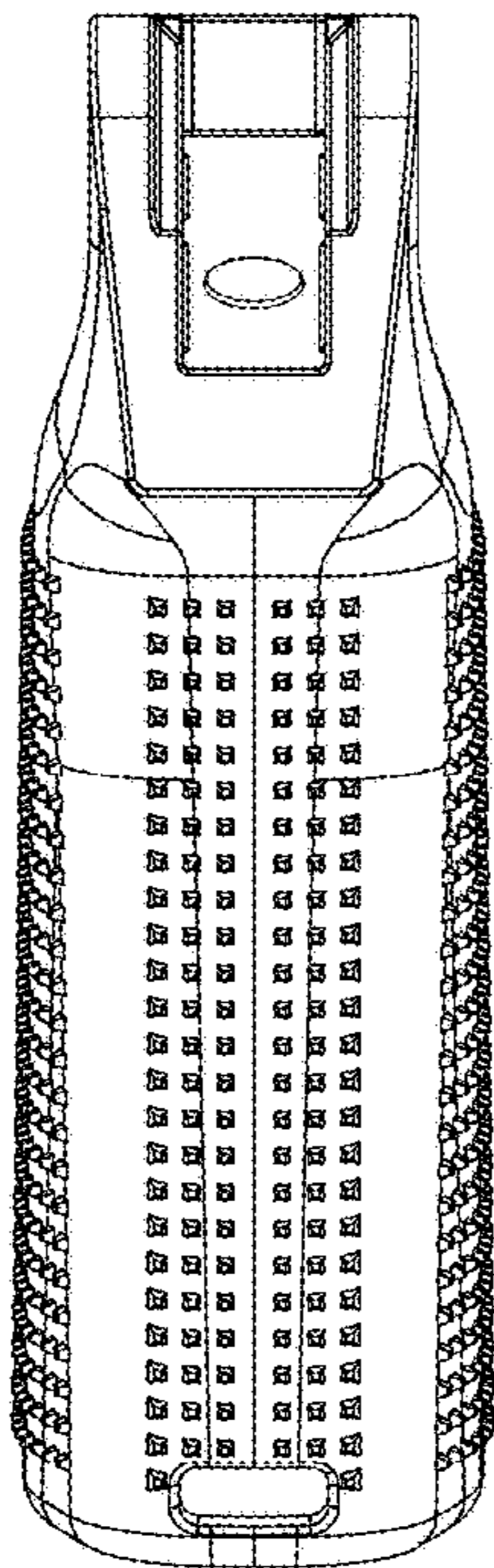


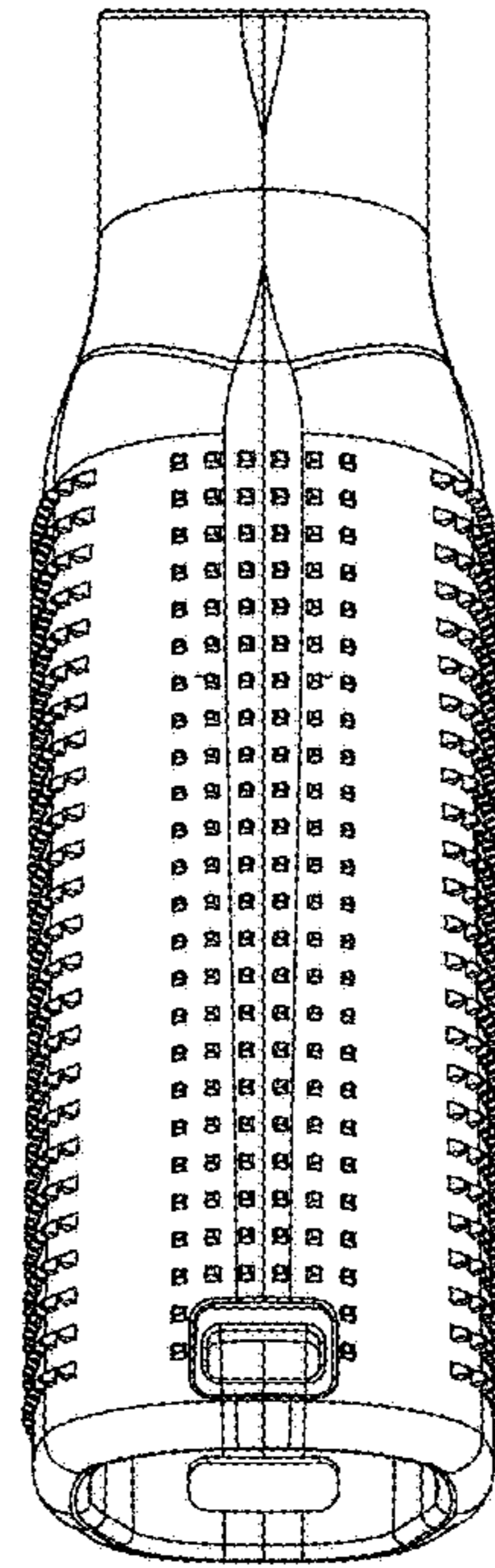
FIG. 3



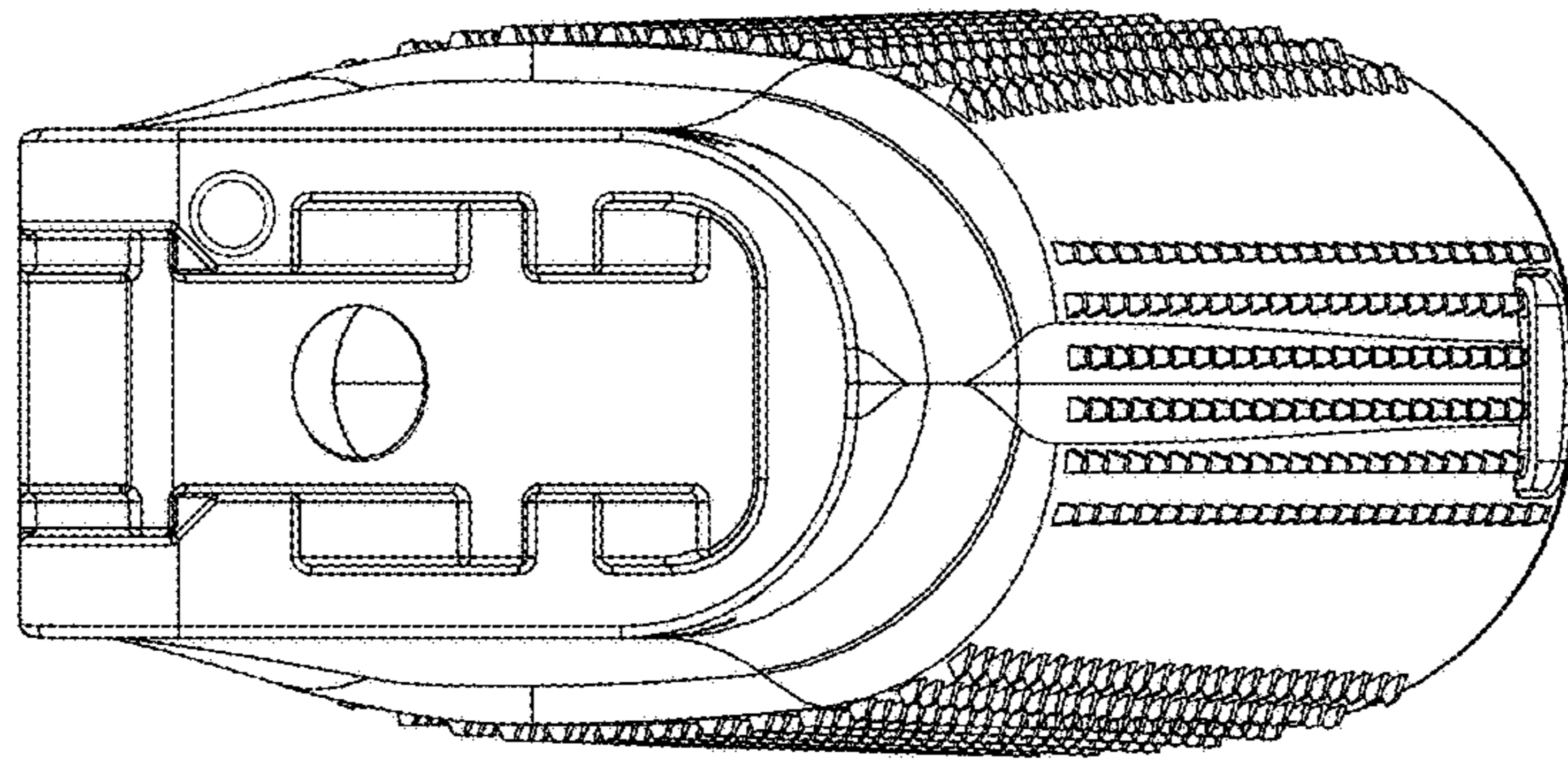
**FIG. 4**



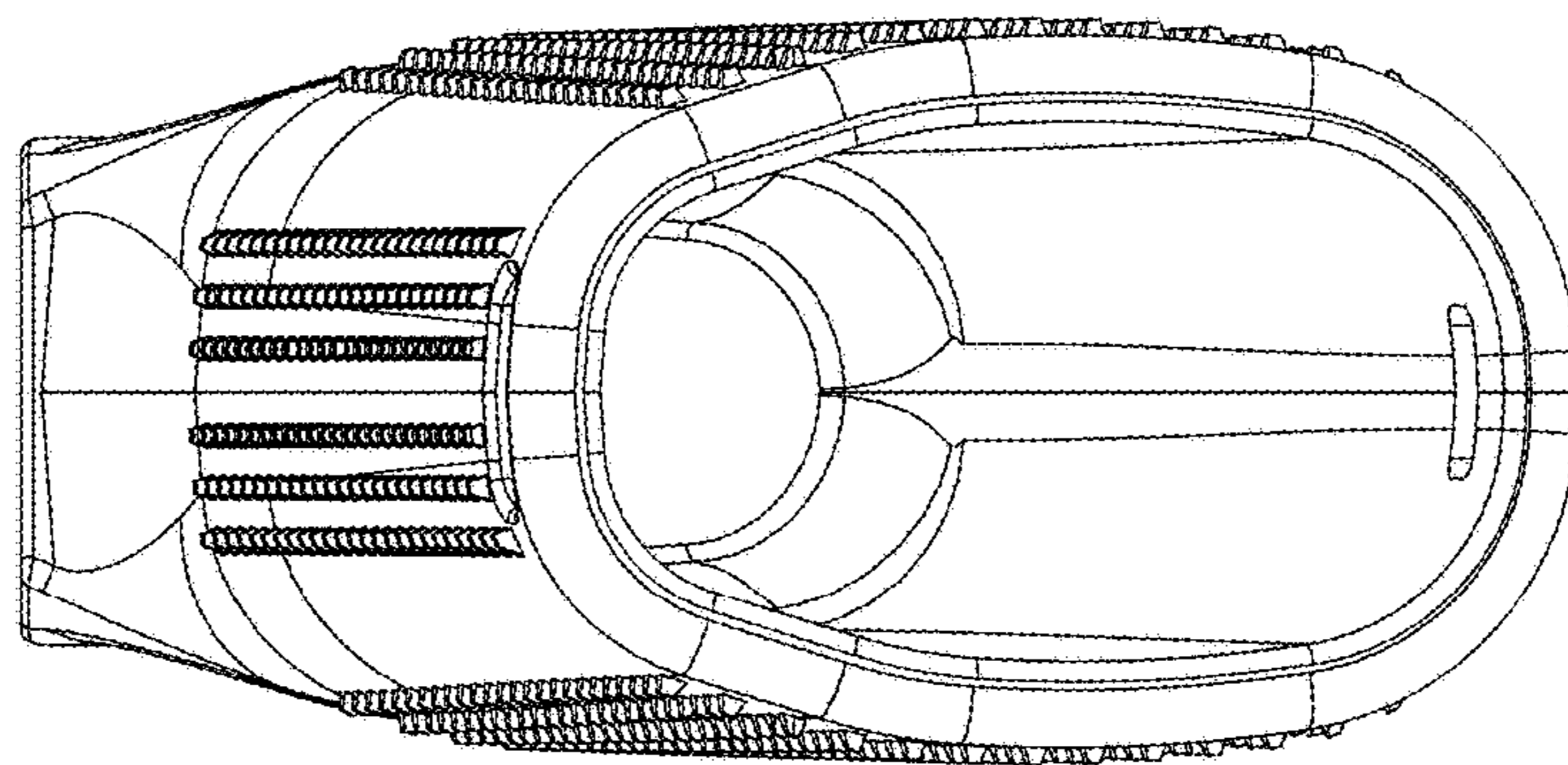
**FIG. 5**



**FIG. 6**

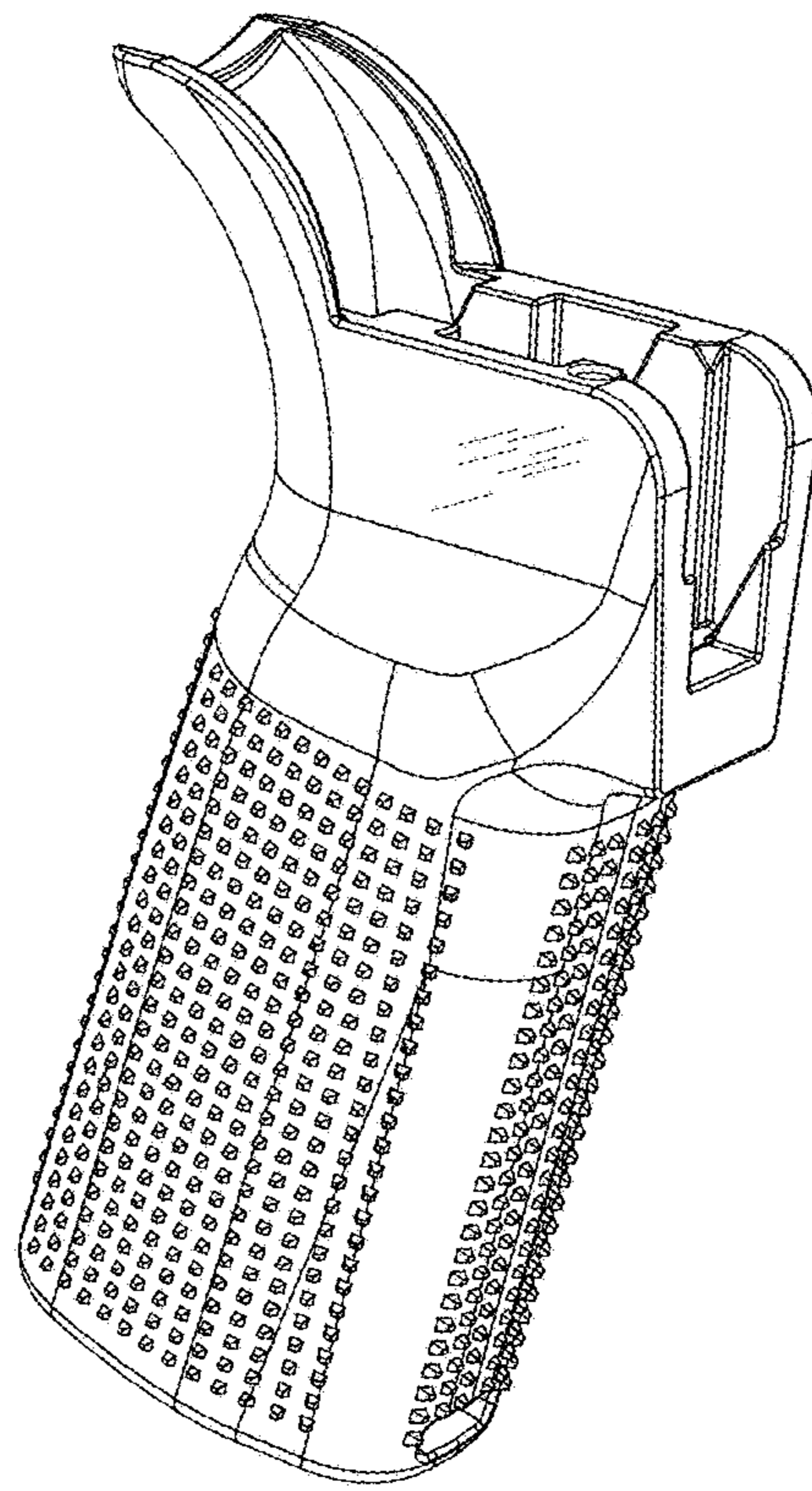


**FIG. 7**

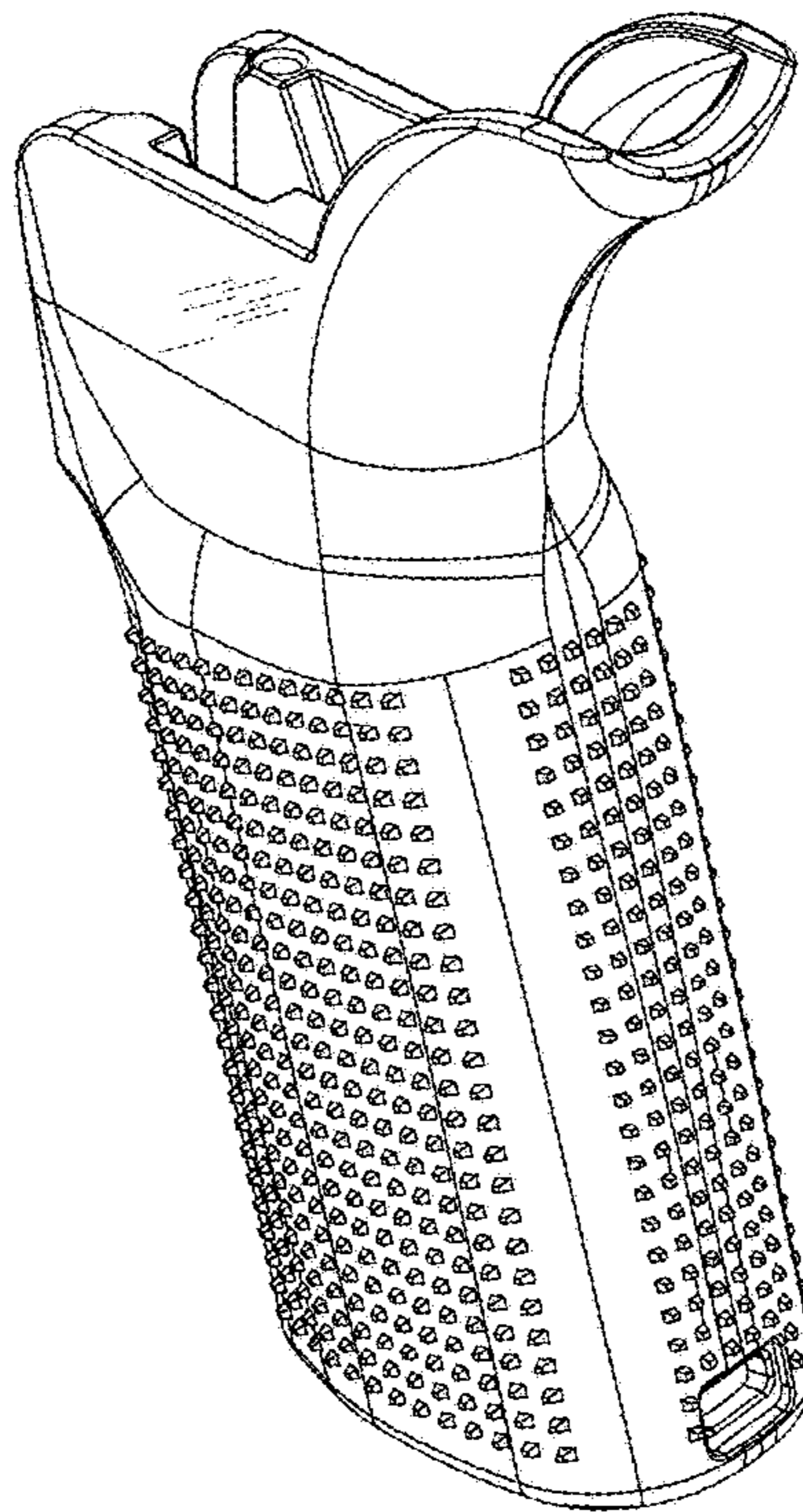


**FIG. 8**





**FIG. 9**



**FIG. 10**

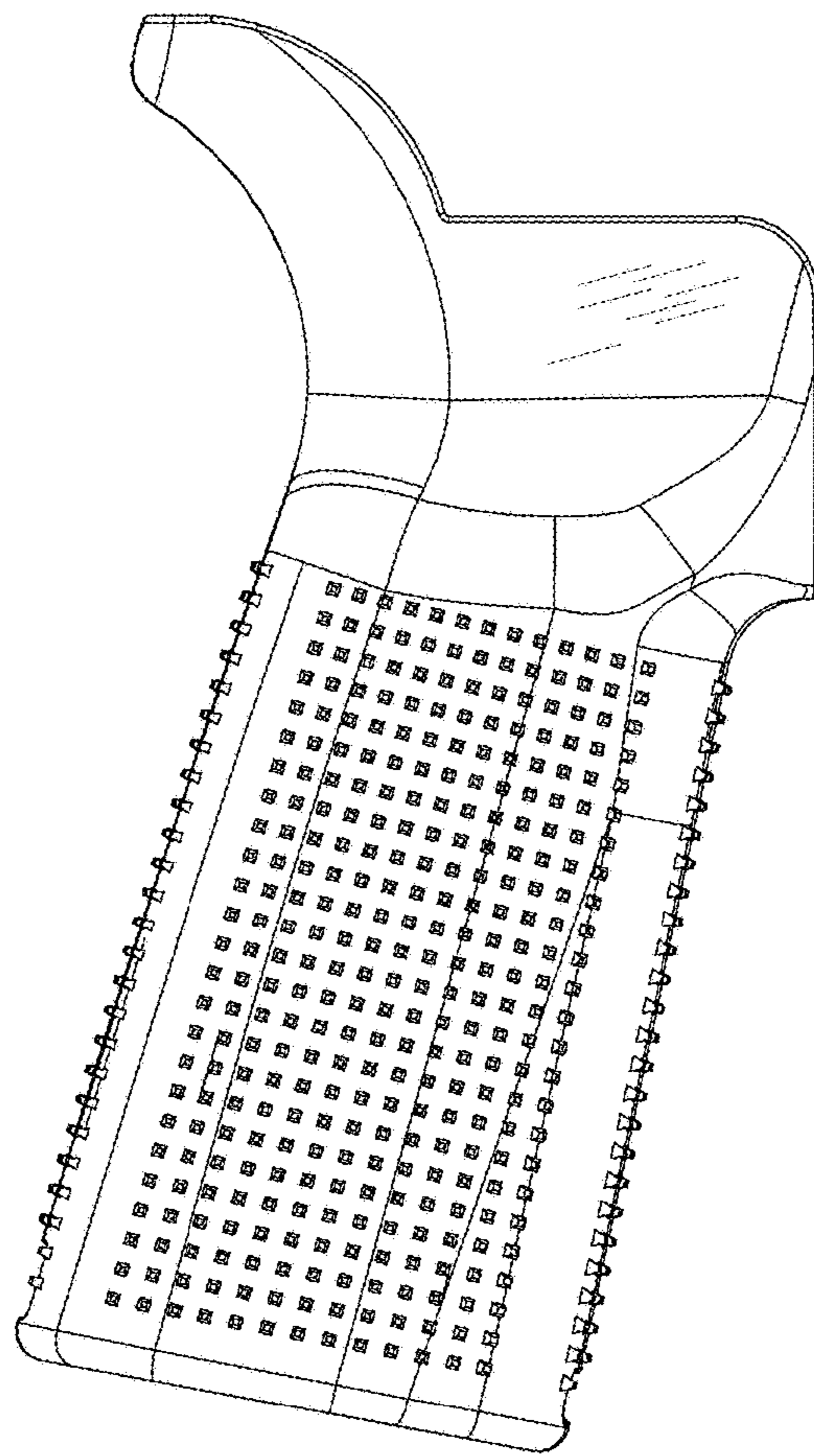
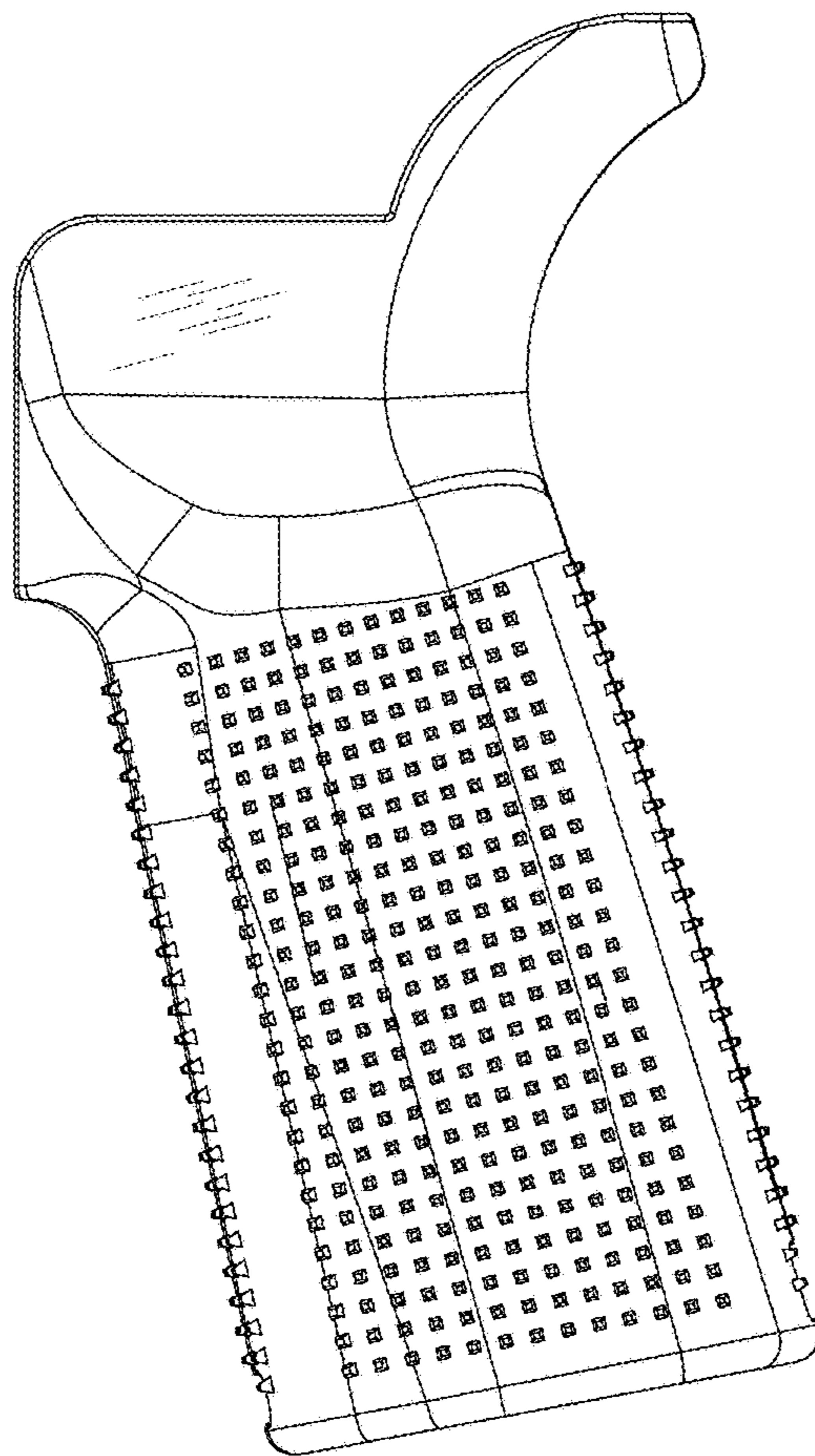
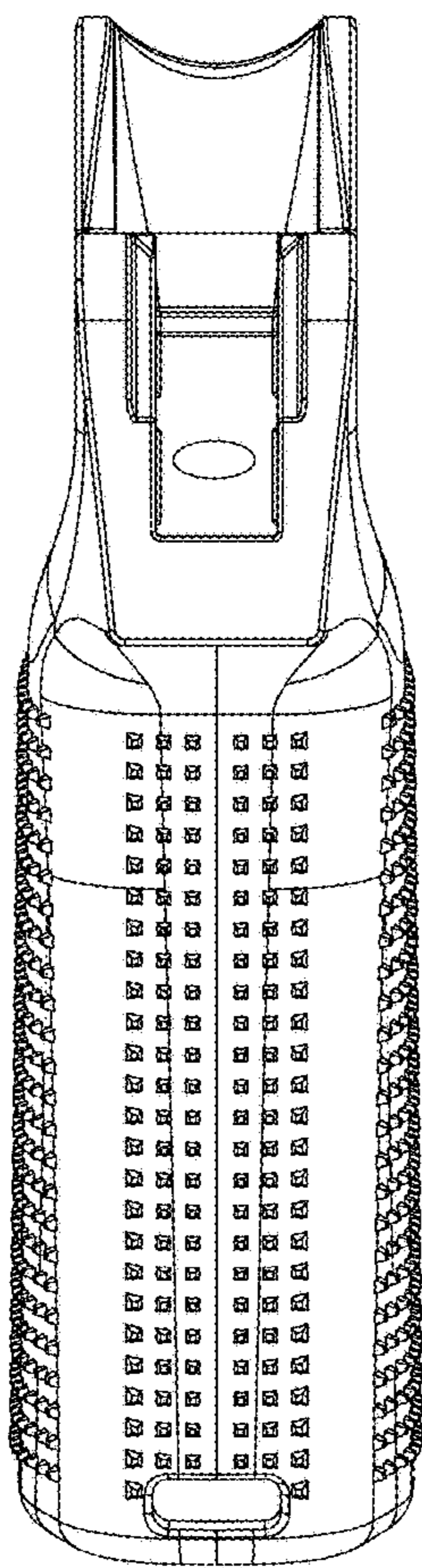


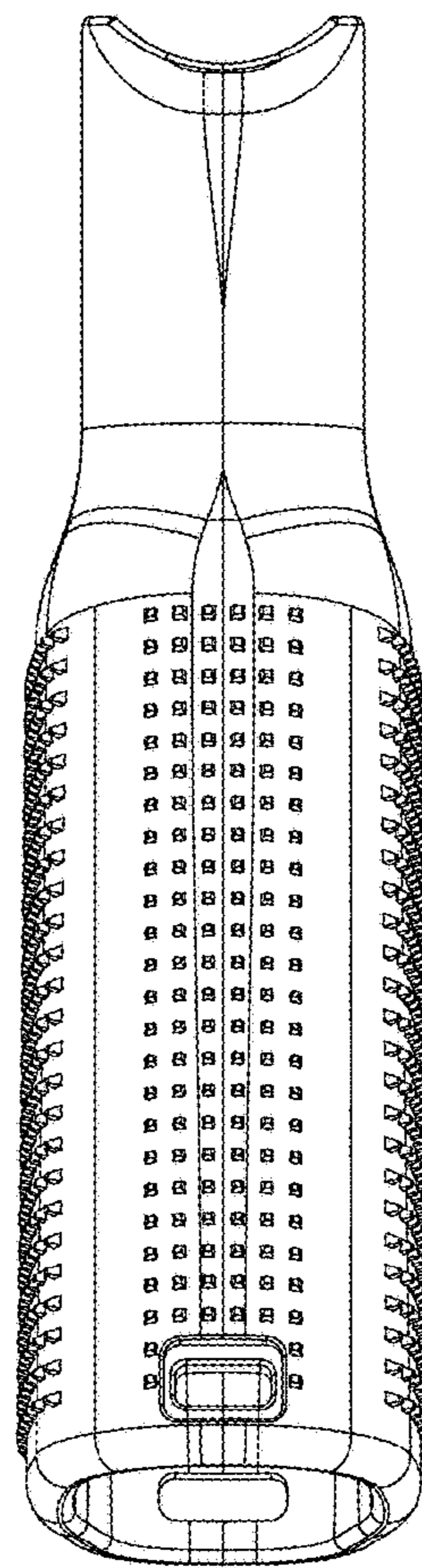
FIG. 11



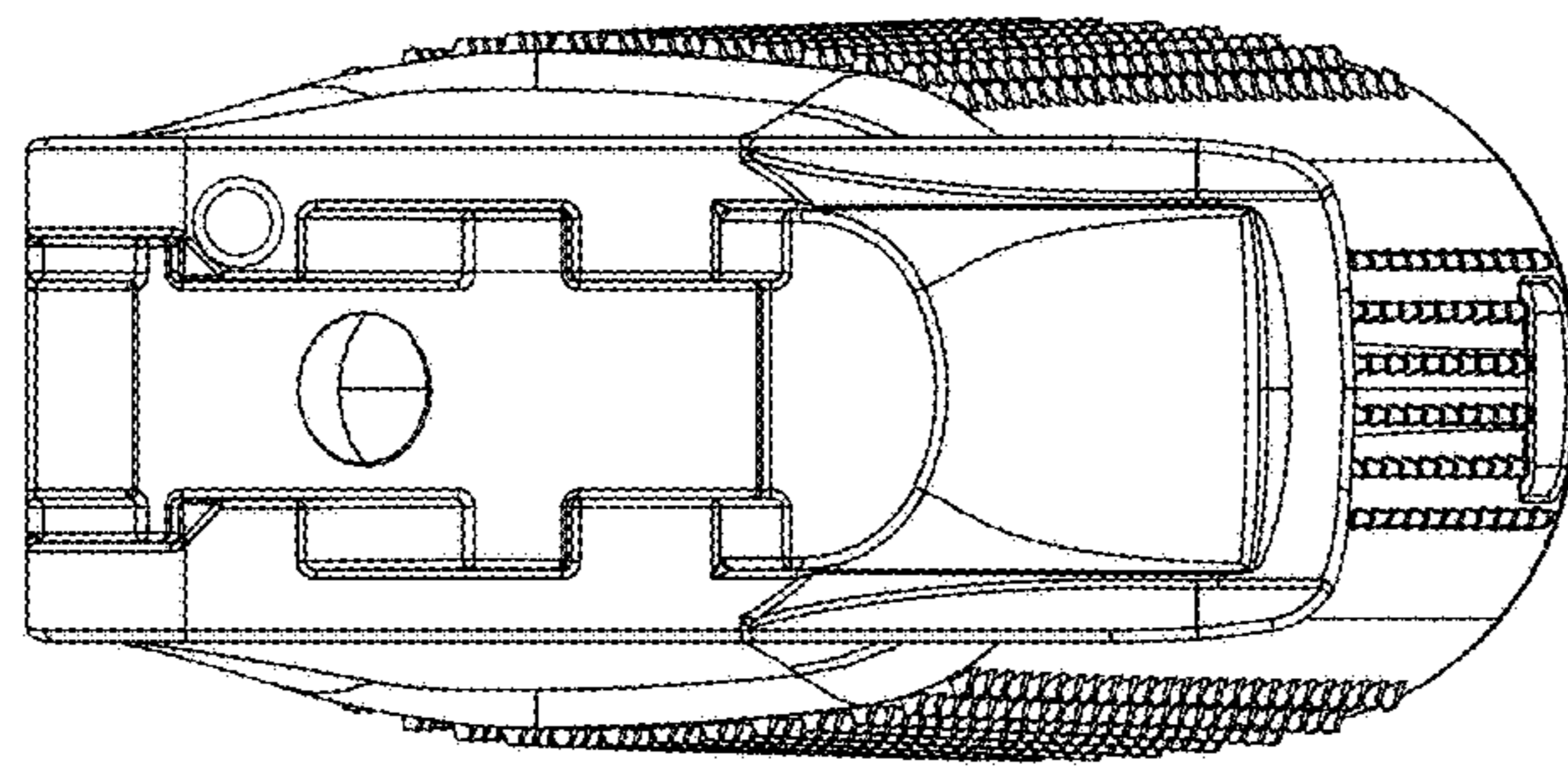
**FIG. 12**



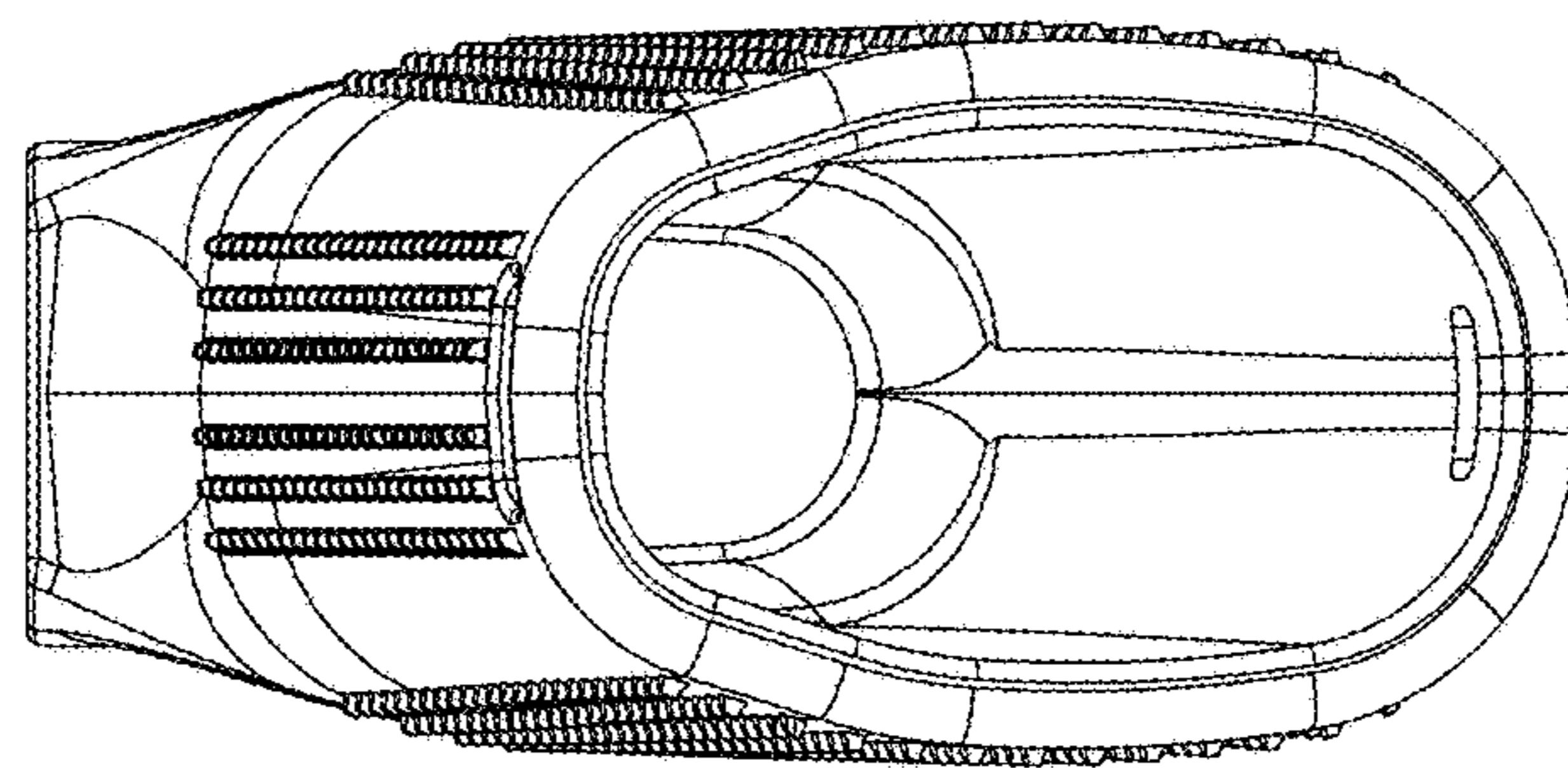
**FIG. 13**



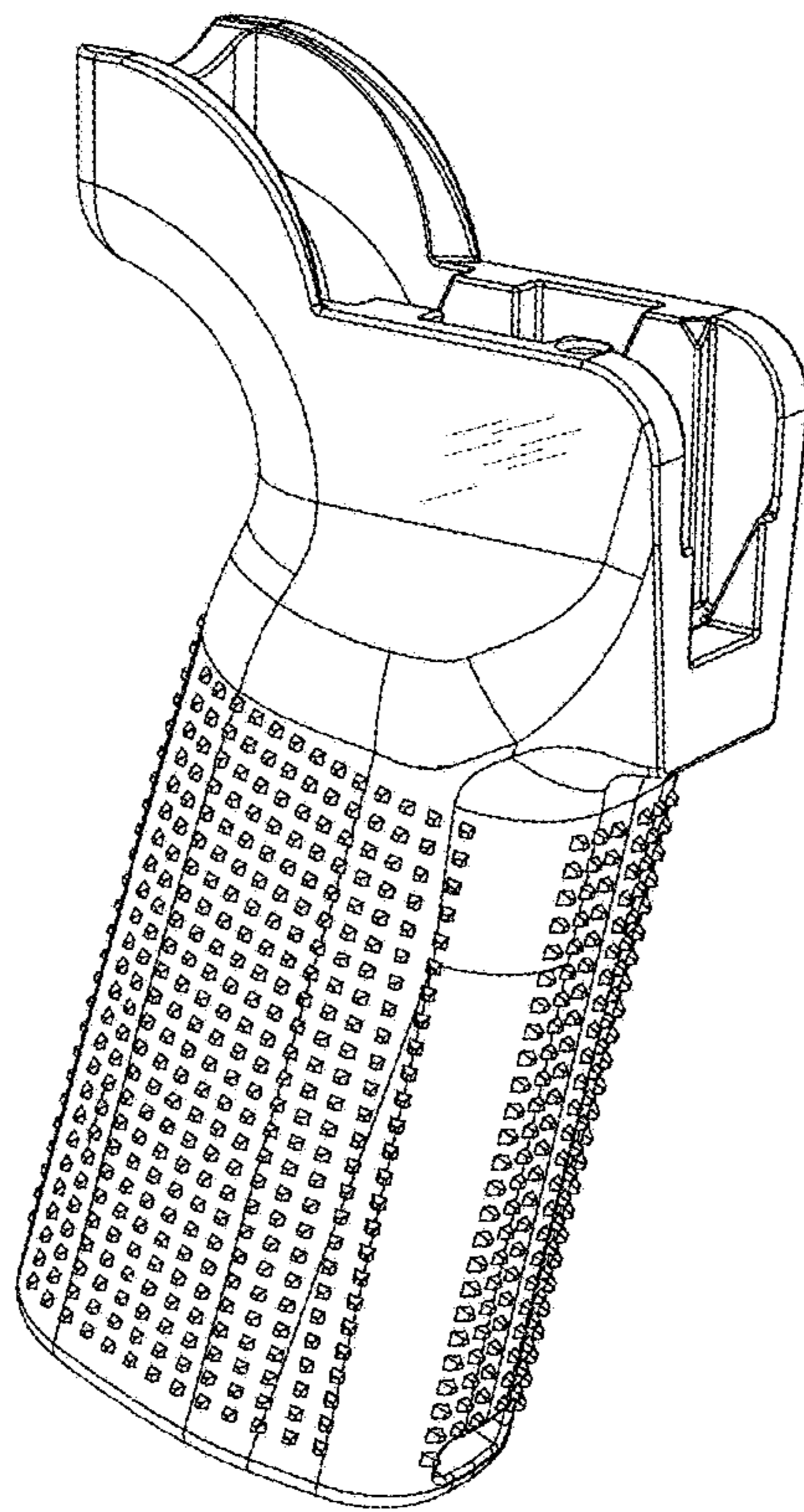
**FIG. 14**



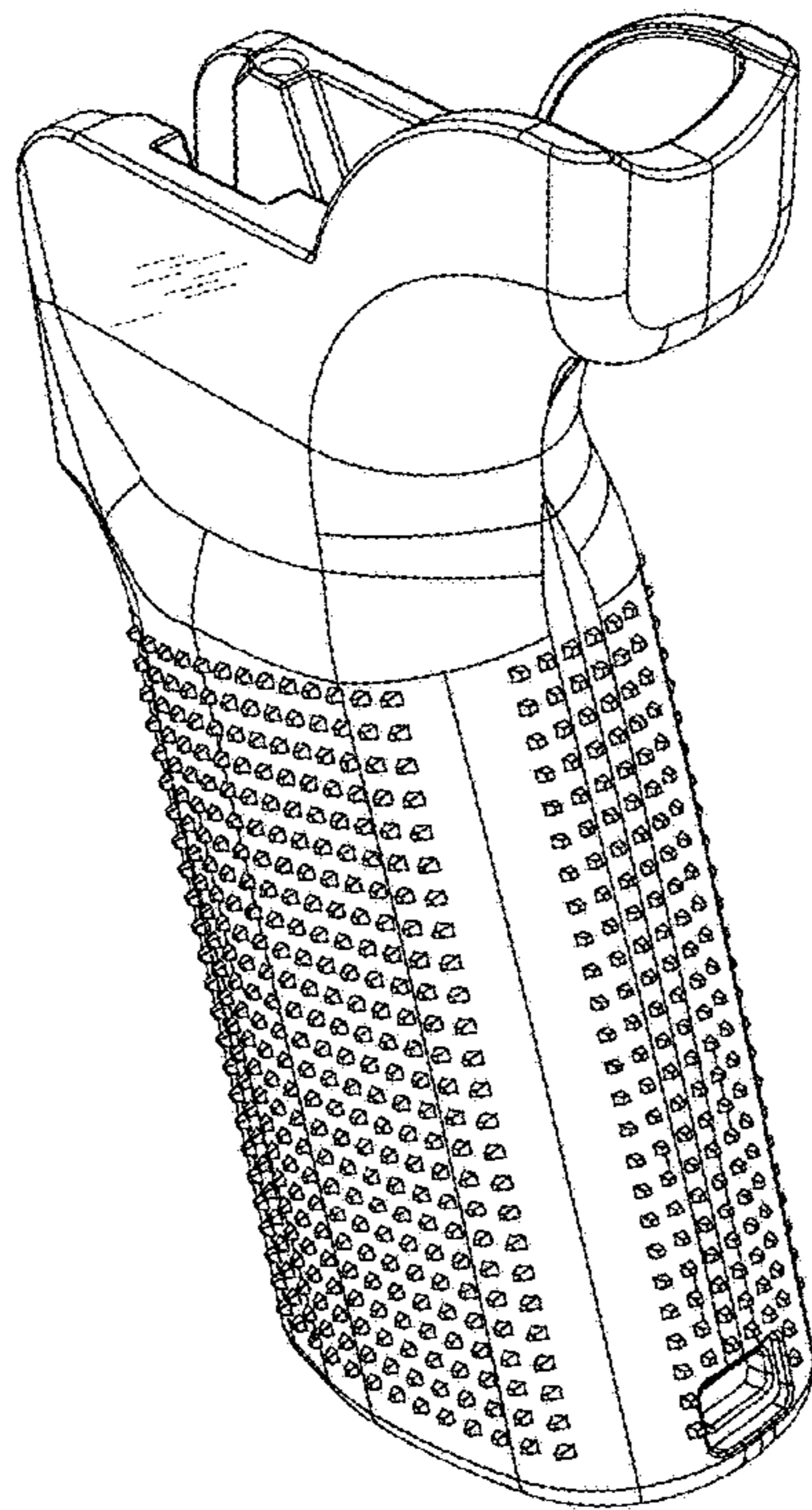
**FIG. 15**



**FIG. 16**

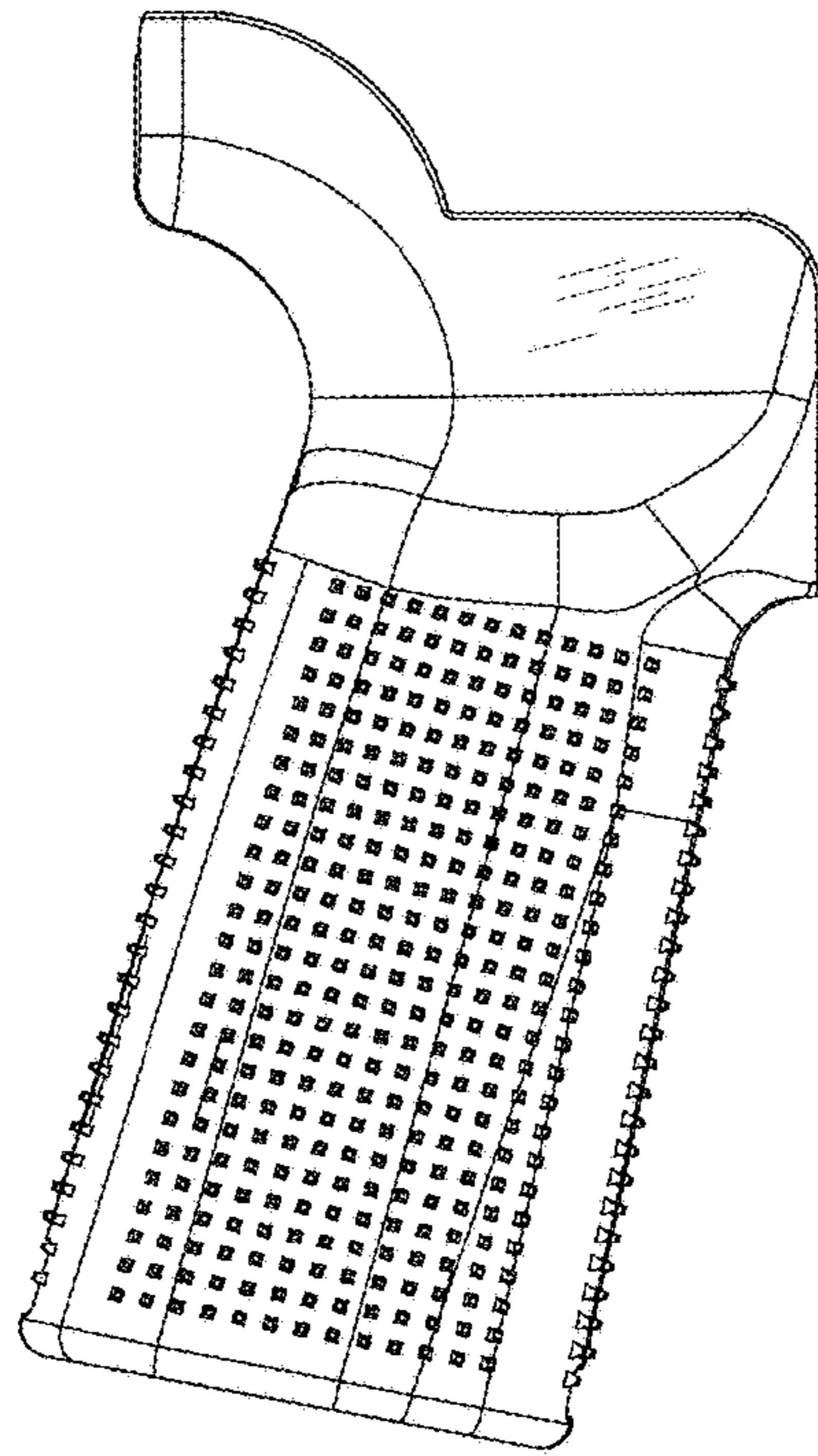


**FIG. 17**

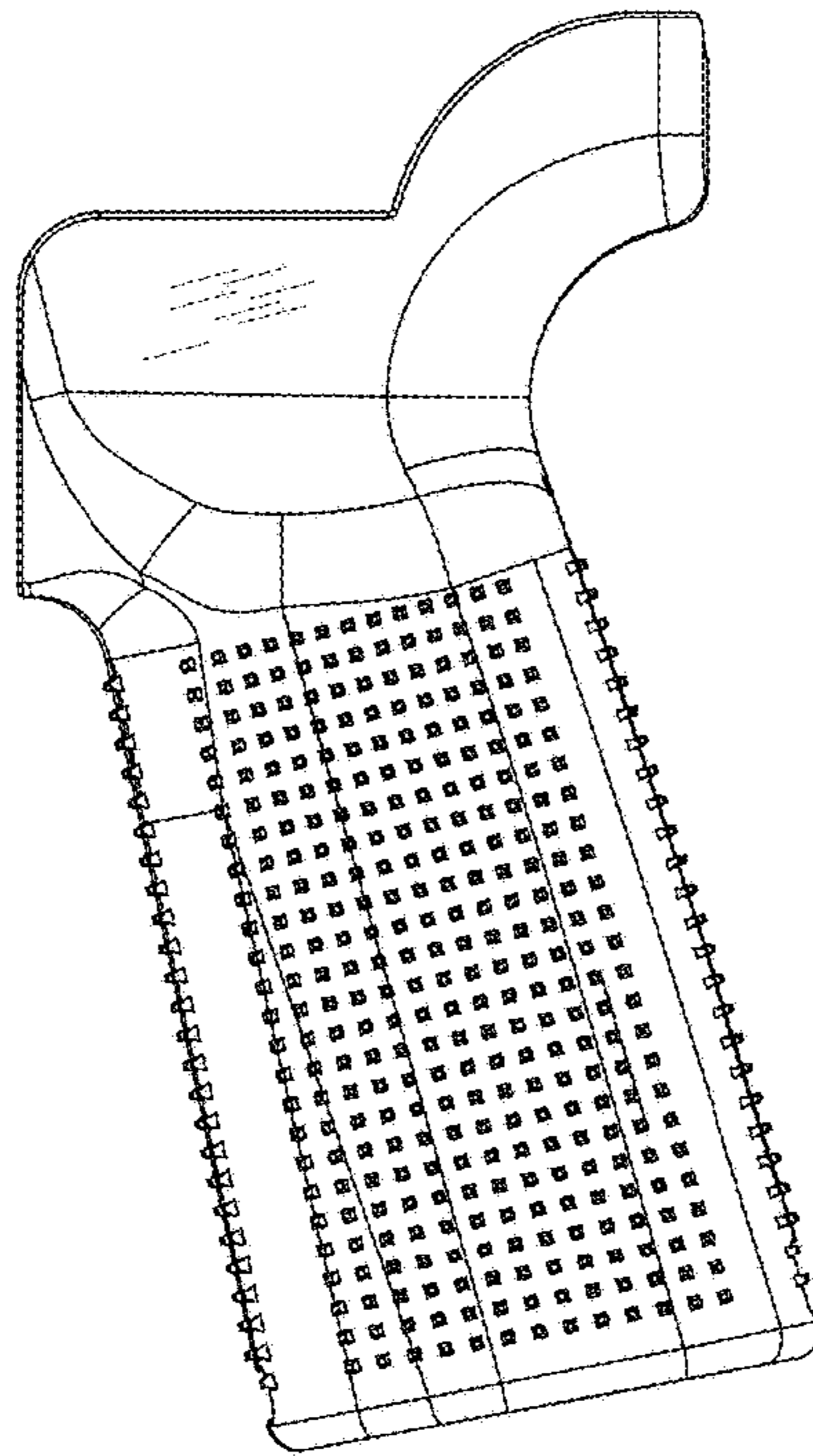


**FIG. 18**

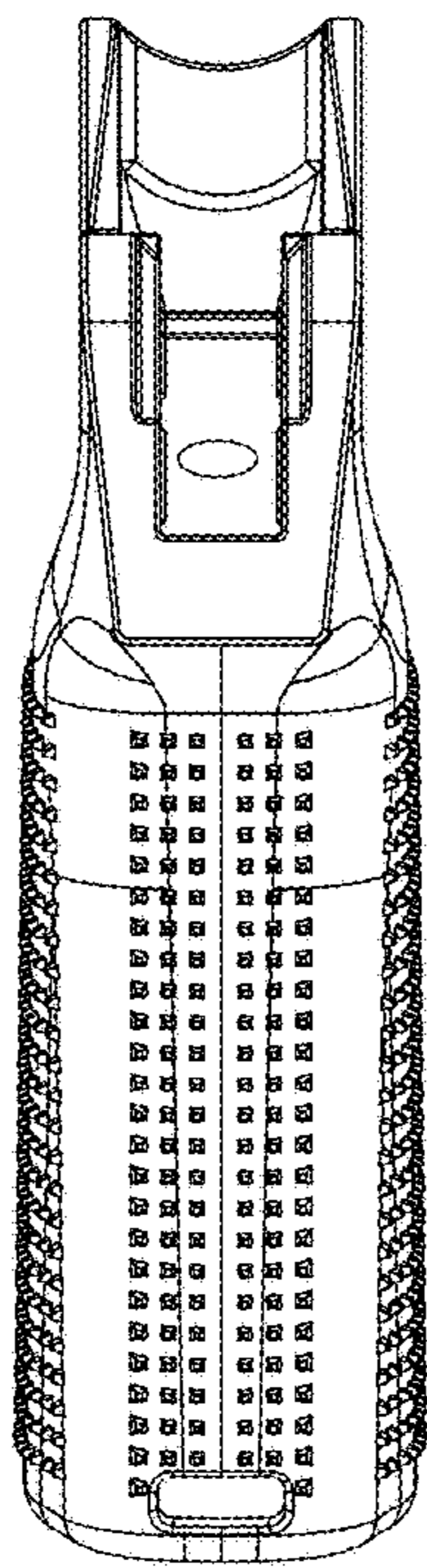




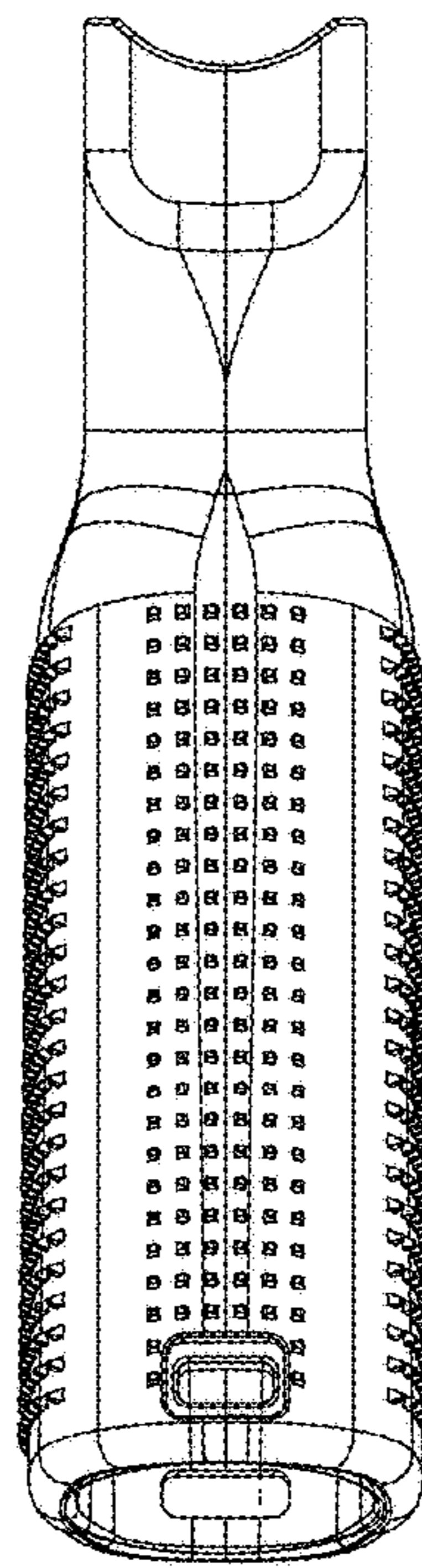
**FIG. 19**



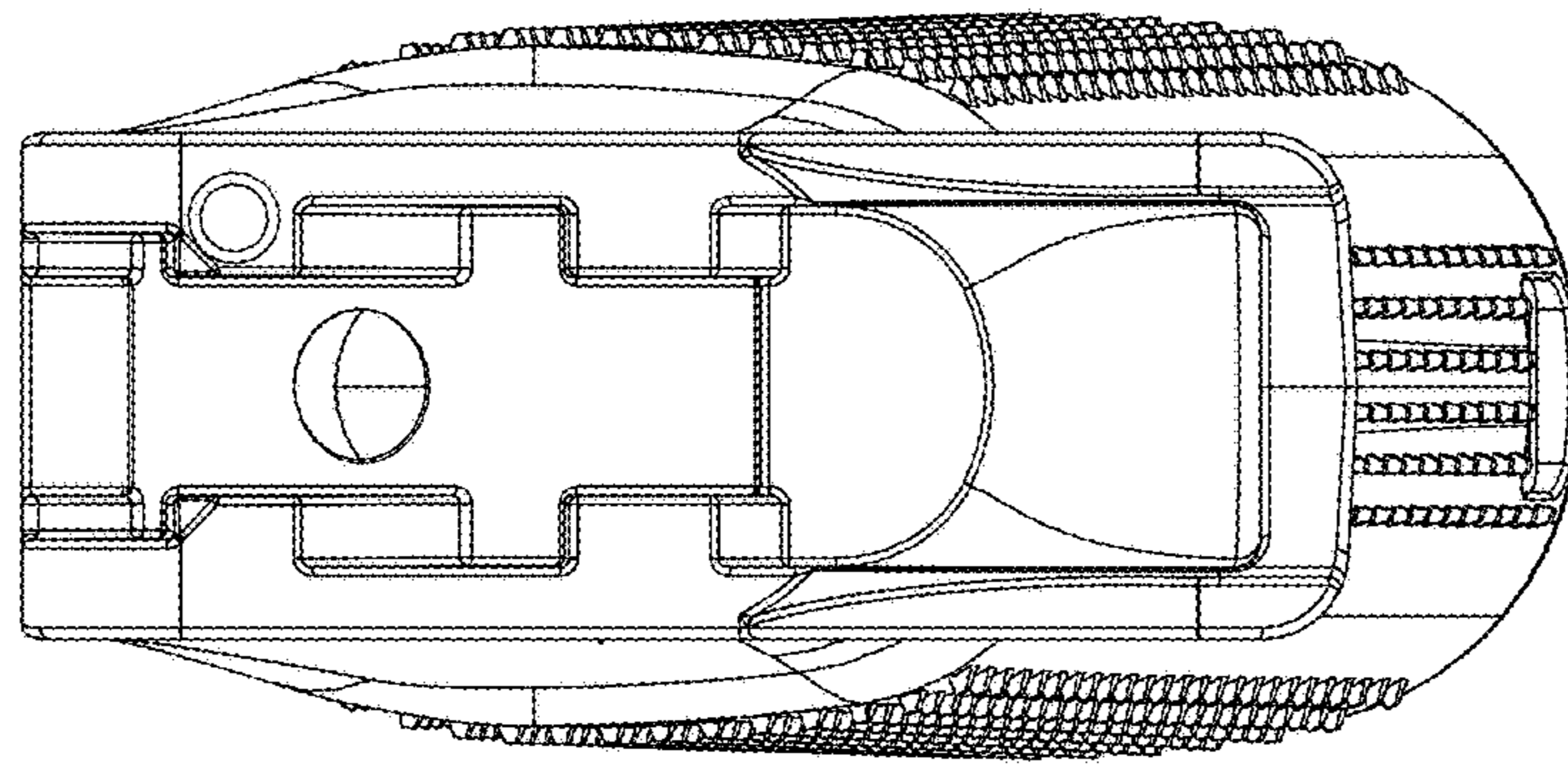
**FIG. 20**



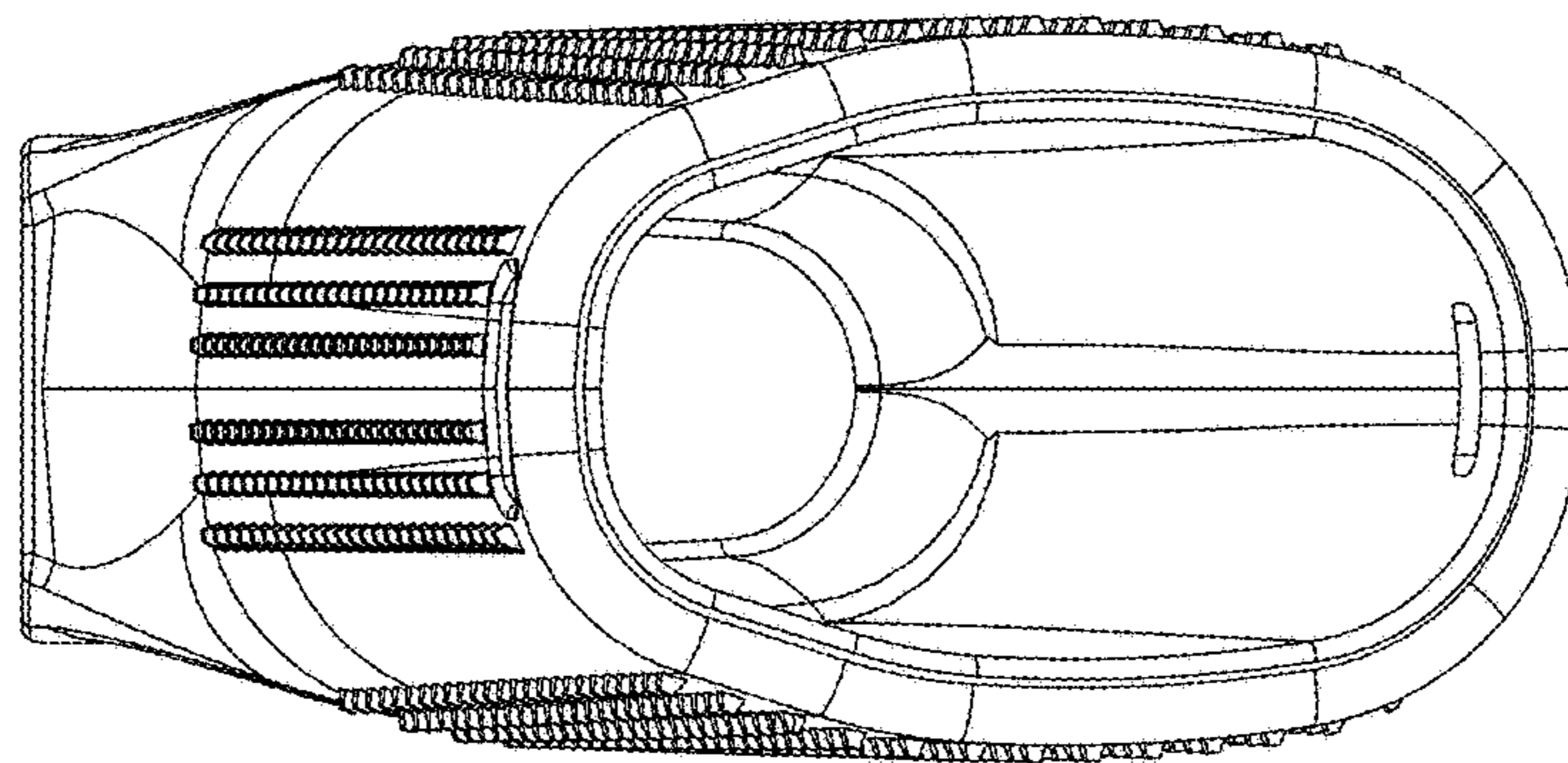
**FIG. 21**



**FIG. 22**



**FIG. 23**



**FIG. 24**