



US00D865898S

(12) **United States Design Patent** (10) **Patent No.:** **US D865,898 S**
Windfeldt (45) **Date of Patent:** **** Nov. 5, 2019**

(54) **STOCK FOR A GUN**

(71) Applicant: **Michael G. Windfeldt**, St. Augusta, MN (US)

(72) Inventor: **Michael G. Windfeldt**, St. Augusta, MN (US)

(73) Assignee: **Maxim Defense Industries, LLC**, St. Cloud, MN (US)

(**) Term: **15 Years**

(21) Appl. No.: **29/616,516**

(22) Filed: **Sep. 6, 2017**

(51) **LOC (12) Cl.** **22-01**

(52) **U.S. Cl.**
USPC **D22/108**

(58) **Field of Classification Search**
USPC D21/300, 301, 304, 387, 567, 570, 571, D21/573, 574, 575, 746; D22/100, 101, D22/102, 103, 106, 107, 108, 109, 110, D22/111, 112, 199
CPC F41A 3/26; F41A 3/12; F41A 5/02; F41A 17/22; F41B 5/143; F41B 5/14; F41B 5/066; F41B 7/08; F41B 5/1446; F41B 5/148; F41B 5/1465; F42B 6/04; F42B 6/08; F42B 6/02; F42B 6/06; F42B 12/362; F41C 23/16; F41C 27/00; F41C 7/00; F41G

(Continued)

(56) **References Cited**

U.S. PATENT DOCUMENTS

294,402 A 3/1884 Onderdonk
319,613 A 6/1885 Onderdonk
436,997 A 9/1890 Quackenbush

(Continued)

FOREIGN PATENT DOCUMENTS

WO WO 2008/097308 A2 8/2008

OTHER PUBLICATIONS

<https://www.youtube.com/watch?v=MoG6e0ZPdjo>—Published on Aug. 4, 2018.*

(Continued)

Primary Examiner — Khawaja Anwar

Assistant Examiner — Mojtaba Tehrani

(74) *Attorney, Agent, or Firm* — Law Office of Arthur M. Antonelli, PLLC

(57) **CLAIM**

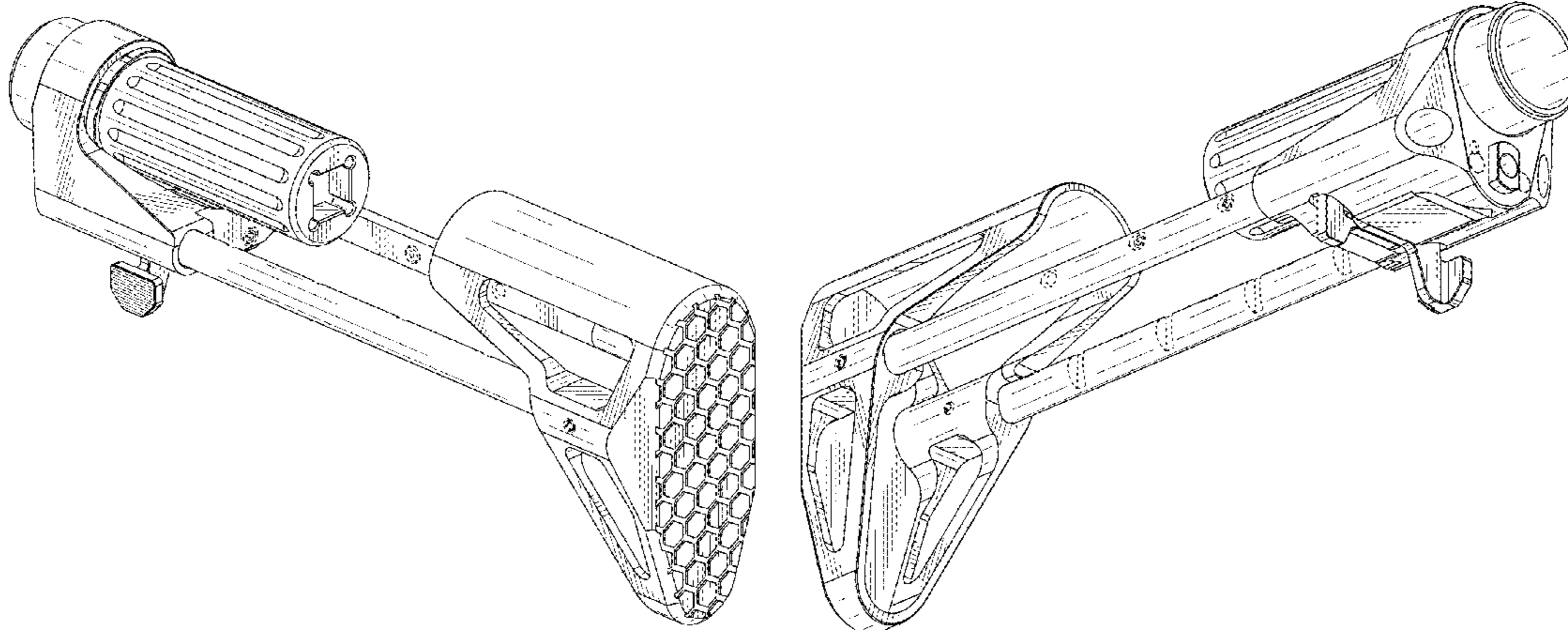
The ornamental design for a stock for a gun, as shown and described.

DESCRIPTION

FIG. 1 is a top perspective view of a stock for a gun in accordance with my new design, the stock for a gun being in a fully deployed configuration;
FIG. 2 is a front, left, bottom perspective view thereof;
FIG. 3 is a front view thereof;
FIG. 4 is a rear view thereof;
FIG. 5 is a left side view thereof;
FIG. 6 is a right side view thereof;
FIG. 7 is a top view thereof;
FIG. 8 is a bottom view thereof;
FIG. 9 is another top perspective view of the stock for a gun, the stock for a gun being in a collapsed configuration;
FIG. 10 is a front, left, bottom perspective view thereof;
FIG. 11 is a front view thereof;
FIG. 12 is a rear view thereof;
FIG. 13 is a left side view thereof;
FIG. 14 is a right side view thereof;
FIG. 15 is a top view thereof; and,
FIG. 16 is a bottom view thereof.

The broken lines immediately adjacent the shaded areas represent the bounds of the claimed design. All broken lines are directed to environment and are for illustrative purposes only and form no part of the claimed design.

1 Claim, 12 Drawing Sheets



(58) **Field of Classification Search**
 CPC 11/003; F41G 11/001; F41G 11/004; F41G
 11/005; A63H 5/04
 See application file for complete search history.

(56) **References Cited**

U.S. PATENT DOCUMENTS

746,859 A 12/1903 Marble
 922,173 A 5/1909 Lovelace
 931,328 A 8/1909 Marble
 961,511 A 6/1910 Marble
 1,051,960 A 2/1913 Kennedy
 1,086,490 A 2/1914 Weathers
 1,156,293 A 10/1915 Jorgenson
 1,174,840 A 3/1916 Fisher
 1,315,215 A 9/1919 Davidson
 1,485,456 A 3/1924 Von Frommer
 1,526,847 A 2/1925 Fritz
 1,734,852 A 11/1929 Frampton et al.
 1,822,875 A 9/1931 Ammann
 2,098,139 A 11/1937 Foley et al.
 2,400,422 A 5/1946 Johnson, Jr.
 2,424,194 A 7/1947 Sampson et al.
 2,433,151 A 12/1947 Parsons
 2,766,542 A 10/1956 Harvey
 3,044,204 A 7/1962 Zimmerman
 3,348,328 A 10/1967 Roy
 3,618,248 A 11/1971 Into et al.
 3,618,249 A 11/1971 Grandy
 4,115,943 A 9/1978 Musgrave
 4,141,166 A 2/1979 Schultz
 4,271,623 A 6/1981 Beretta
 4,327,626 A 5/1982 McQueen
 4,383,384 A 5/1983 Fox
 4,512,101 A 4/1985 Waterman, Jr.
 4,551,937 A 12/1985 Seehase
 4,697,367 A 10/1987 Brophy
 4,735,007 A 4/1988 Gal
 4,788,785 A 12/1988 White
 D324,557 S 3/1992 Livingston
 5,209,215 A 5/1993 Morrison
 5,225,613 A 7/1993 Claridge
 5,622,000 A 4/1997 Marlowe
 5,711,102 A 1/1998 Plaster et al.
 D391,334 S 2/1998 Plaster et al.
 5,907,918 A 6/1999 Langevin et al.
 6,250,194 B1 6/2001 Brandl et al.
 6,560,911 B2 5/2003 Sharp
 6,598,329 B1 7/2003 Alexander
 6,598,330 B2 7/2003 Garrett et al.
 6,651,371 B2 11/2003 Fitzpatrick et al.
 6,779,289 B2 8/2004 Kay
 6,829,855 B2 12/2004 Seifert
 6,839,998 B1 1/2005 Armstrong
 6,874,267 B2 4/2005 Fitzpatrick et al.
 6,925,743 B1 8/2005 DiGiovanna
 7,104,001 B1 9/2006 Digiovanna
 7,131,228 B2 11/2006 Hochstrate et al.
 7,152,355 B2 12/2006 Fitzpatrick et al.
 7,162,822 B1 1/2007 Heayn et al.
 7,337,573 B1 3/2008 Digiovanna
 7,398,616 B1 7/2008 Weir
 7,418,797 B1 9/2008 Crose
 7,428,794 B2 9/2008 Oz
 D584,373 S 1/2009 Young
 D589,578 S 3/2009 Choma
 D600,308 S 9/2009 Fitzpatrick et al.
 7,587,852 B1 9/2009 Harms
 D603,013 S 10/2009 Fitzpatrick et al.
 D604,794 S 11/2009 Bentley
 7,610,711 B2 11/2009 Oz
 D607,078 S * 12/2009 Chu D22/109
 7,627,975 B1 12/2009 Hines
 7,640,688 B2 1/2010 Oz
 7,647,719 B2 1/2010 Fitzpatrick et al.
 7,654,187 B2 2/2010 Hochstrate et al.

7,681,351 B2 3/2010 Bucholtz et al.
 D616,056 S 5/2010 Bentley
 7,743,544 B2 6/2010 Laney et al.
 D620,067 S 7/2010 Saur
 7,762,018 B1 7/2010 Fitzpatrick et al.
 7,775,150 B2 8/2010 Hochstrate et al.
 7,805,873 B2 10/2010 Bentley
 7,810,270 B2 10/2010 Fitzpatrick et al.
 7,823,313 B2 11/2010 Faifer
 7,827,722 B1 11/2010 Davies
 7,849,626 B2 12/2010 Fluhr
 D631,122 S 1/2011 Domagtoy
 D636,834 S 4/2011 Mayberry et al.
 7,937,873 B2 5/2011 Keng
 D640,342 S 6/2011 Fitzpatrick et al.
 7,992,336 B2 8/2011 Phillips
 8,061,072 B1 11/2011 Crose
 8,127,483 B2 3/2012 Kincel
 8,127,485 B2 3/2012 Kincel
 D661,366 S * 6/2012 Zusman F41C 23/04
 D22/108
 8,191,299 B2 6/2012 Faifer
 D668,311 S * 10/2012 Rogers F41C 23/04
 D22/108
 8,327,568 B1 12/2012 Lavergne et al.
 8,341,868 B2 1/2013 Zusman
 D676,921 S 2/2013 Fitzpatrick et al.
 8,387,298 B2 3/2013 Kincel
 D683,808 S 6/2013 Elkaim
 D691,234 S * 10/2013 Fitzpatrick D22/108
 8,555,541 B2 10/2013 Ingram
 D697,162 S 1/2014 Faifer
 D702,792 S * 4/2014 Burt D22/103
 8,707,603 B2 4/2014 Troy et al.
 D706,879 S * 6/2014 Chu D21/573
 8,756,849 B2 6/2014 Troy
 8,813,157 B2 8/2014 Le Leannec et al.
 D712,998 S * 9/2014 Gomez D22/108
 D716,403 S * 10/2014 Burt D22/108
 D722,357 S * 2/2015 Keller D22/108
 D722,669 S * 2/2015 Keller D22/108
 D725,219 S 3/2015 Hirt et al.
 8,978,284 B1 3/2015 Zusman
 D736,336 S * 8/2015 Mayberry D22/108
 D738,981 S * 9/2015 Zusman D22/108
 D745,627 S 12/2015 Kielsmeier et al.
 D748,216 S * 1/2016 Zusman D22/108
 D753,782 S * 4/2016 Vazquez D22/108
 D757,883 S 5/2016 Chow et al.
 D764,622 S * 8/2016 Bosco D22/108
 D769,396 S * 10/2016 Keller, II D22/108
 D773,592 S 12/2016 Jones
 D773,593 S 12/2016 Hopkins et al.
 D774,618 S * 12/2016 Bosco D22/108
 9,541,347 B2 1/2017 Maugham
 9,551,549 B1 * 1/2017 Chvala F41C 23/14
 D779,018 S * 2/2017 Zayatz D22/108
 D780,279 S * 2/2017 Bosco D22/108
 9,581,411 B2 2/2017 Zusman
 D781,392 S 3/2017 Zayatz et al.
 D785,122 S 4/2017 Mather et al.
 D792,936 S * 7/2017 Eitan D22/108
 D792,937 S * 7/2017 Eitan D22/108
 D795,981 S * 8/2017 Martelli D22/103
 D795,982 S * 8/2017 Ottosen D22/108
 D795,985 S * 8/2017 Frederickson D22/108
 9,746,281 B2 * 8/2017 Wilson F41C 23/04
 D796,617 S * 9/2017 Chow D22/108
 D798,984 S * 10/2017 Roberts D22/108
 D809,621 S * 2/2018 Lam D22/108
 D810,225 S * 2/2018 Huang D22/108
 D814,597 S * 4/2018 Thornton D22/108
 D818,074 S * 5/2018 Ding D22/108
 D819,765 S 6/2018 Kafka et al.
 10,060,699 B1 * 8/2018 Hu F41C 23/04
 D828,476 S 9/2018 Smith et al.
 D847,933 S * 5/2019 Windfeldt D22/108
 2003/0110675 A1 6/2003 Garrett et al.
 2003/0196366 A1 10/2003 Beretta

(56)

References Cited

U.S. PATENT DOCUMENTS

2003/0200693 A1 10/2003 Seifert
 2004/0016167 A1 1/2004 Fitzpatrick et al.
 2004/0211104 A1 10/2004 Eberle
 2005/0108915 A1 5/2005 Kincel
 2005/0235546 A1 10/2005 Franz et al.
 2005/0262752 A1 12/2005 Robinson et al.
 2006/0096146 A1 5/2006 Fitzpatrick et al.
 2006/0254414 A1 11/2006 Kuczynko et al.
 2007/0261284 A1 11/2007 Keng
 2008/0236016 A1 10/2008 Fitzpatrick et al.
 2008/0236017 A1 10/2008 Fitzpatrick et al.
 2008/0301994 A1 12/2008 Langevin et al.
 2009/0139128 A1 6/2009 Fluhr
 2009/0178325 A1 7/2009 Veilleux
 2009/0241397 A1 10/2009 Fitzpatrick et al.
 2009/0255161 A1 10/2009 Fitzpatrick et al.
 2010/0115817 A1 5/2010 Faifer
 2010/0180485 A1 6/2010 Cabahug et al.
 2010/0192444 A1 8/2010 Cabahug et al.
 2010/0192446 A1 8/2010 Darian
 2010/0192447 A1 8/2010 Cabahug et al.
 2010/0205846 A1 8/2010 Fitzpatrick et al.
 2010/0229444 A1 9/2010 Faifer
 2010/0251591 A1 10/2010 Burt et al.
 2010/0275489 A1 11/2010 Cabahug et al.
 2010/0300277 A1 12/2010 Hochstrate et al.
 2011/0099872 A1 5/2011 Bentley
 2011/0173863 A1 7/2011 Ingram
 2011/0192067 A1 8/2011 Troy
 2012/0000108 A1 1/2012 Zusman
 2012/0042556 A1 2/2012 Vesligaj
 2012/0079752 A1 4/2012 Peterson et al.
 2012/0131829 A1 5/2012 Fistikchi
 2012/0174455 A1 7/2012 Edelman et al.
 2012/0174456 A1 7/2012 DePierro et al.
 2012/0174457 A1 7/2012 Edelman
 2012/0180353 A1 7/2012 Holmberg

2013/0180148 A1 7/2013 Rodgers et al.
 2014/0223791 A1 8/2014 Ruby et al.
 2015/0176943 A1 6/2015 Iervolino
 2016/0116249 A1* 4/2016 Maugham F41C 23/04
 42/74
 2016/0178314 A1 6/2016 Kielsmeier et al.
 2016/0258713 A1* 9/2016 Huang F41A 3/66
 2016/0305738 A1* 10/2016 Huang F41C 23/04
 2017/0241737 A1* 8/2017 Keller, II F41C 23/14

OTHER PUBLICATIONS

<https://www.youtube.com/watch?v=vt-ZIW0pktU>—Published on Oct. 18, 2016.*
<https://www.youtube.com/watch?v=4rh0JKnyaPs>—Published on Feb. 28, 2016.*
<https://www.youtube.com/watch?v=Bp-CmwWzvqk>—Published on Jul. 12, 2015.*
 The Maxim Defense SCW Stock, Product Sheet, Jan. 19, 2019, pp. 2, Maxim Defense Industries, LLC, St. Cloud, MN.
 The Maxim Defense CQB Stock-AR-15, Product Sheet, May 14, 2016, pp. 2, Maxim Defense Industries, LLC, St. Cloud, MN.
 The Maxim Defense CQB Pistol EXC, Product Sheet, Sep. 6, 2016, pp. 2, Maxim Defense Industries, LLC, St. Cloud, MN.
 The Maxim Defense CQB Pistol: PDW Brace, Product Sheet, Oct. 19, 2016, pp. 2, Maxim Defense Industries, LLC, St. Cloud, MN.
 The Maxim Defense CQB Stock Installation Guide, Product Sheet, Aug. 10, 2016, pp. 2, Maxim Defense Industries, LLC, St. Cloud, MN.
 The Maxim Defense CQB Stock, Product Sheet, Oct. 28, 2015, p. 1, Maxim Defense Industries, LLC, St. Cloud, MN.
 Locarno (International Designs) search results: Class 22, Subclass 01, Jan. 10, 2011, pp. 16.
 Screenshot_2019-02-23 hera-de SFU.pdf, <http://www.hera-arms.de/sfu>.
 Screenshot_2019-02-23 hera-de SFU(1).pdf, <http://www.hera-arms.de/sfu>.

* cited by examiner

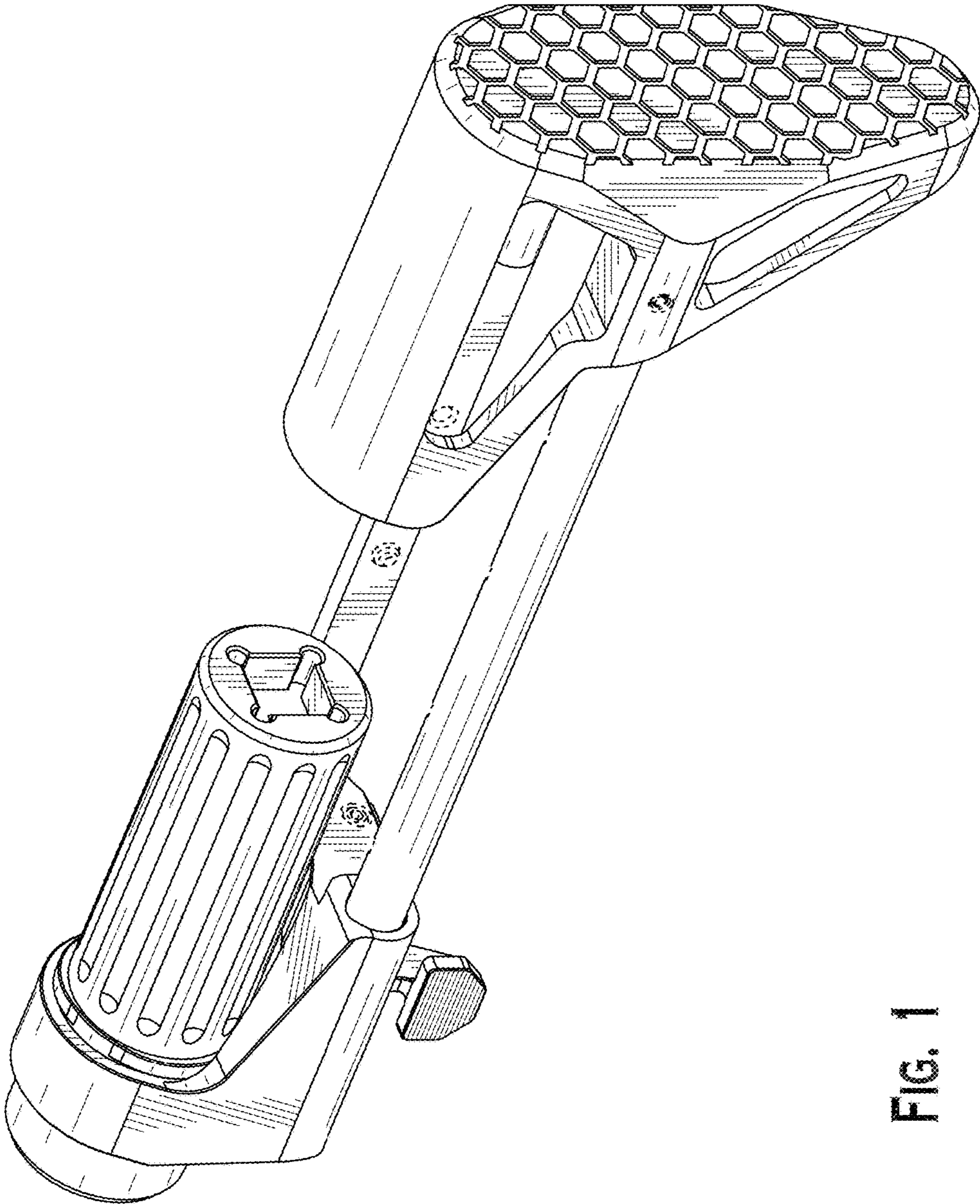


FIG. 1

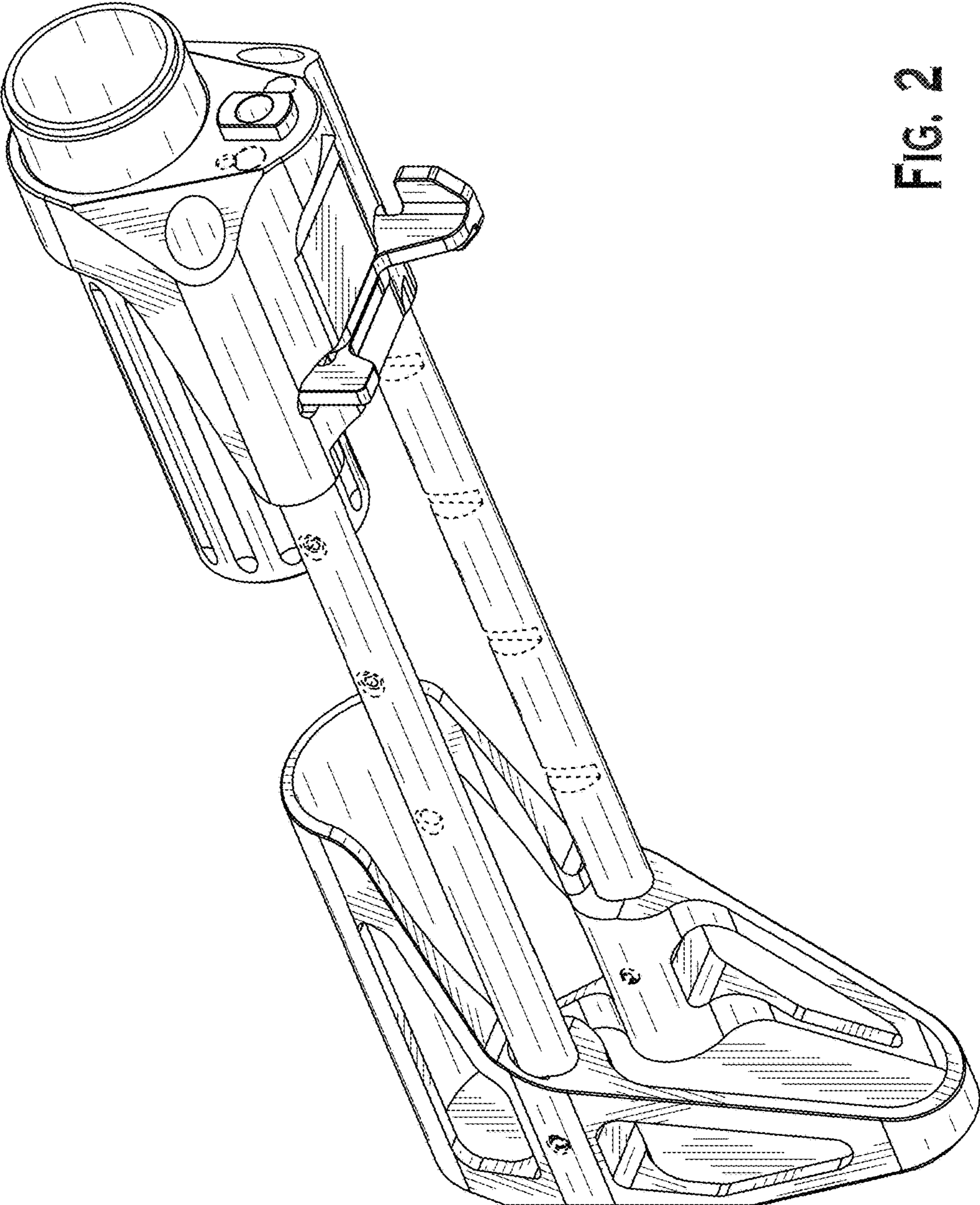


FIG. 2

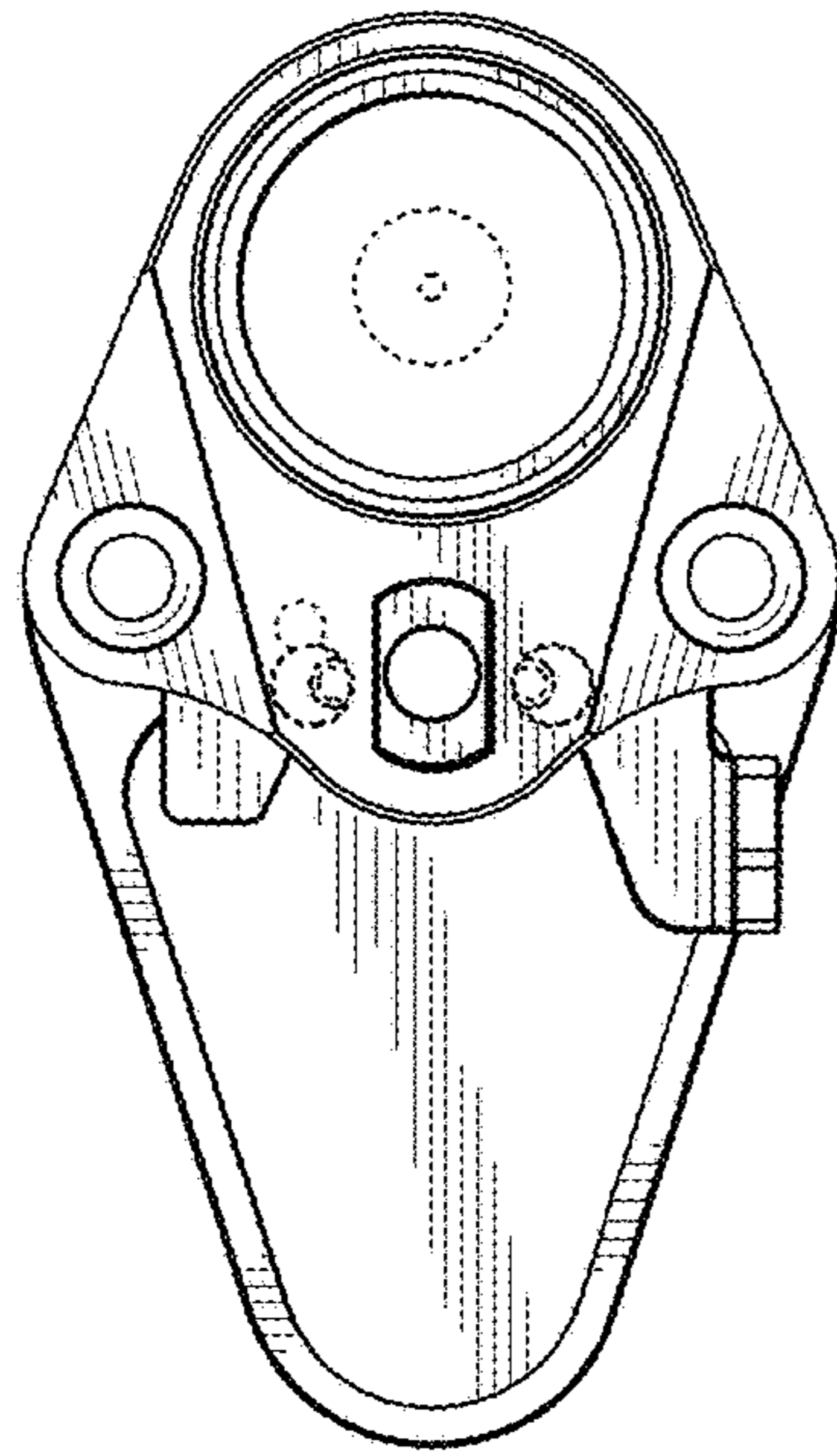


FIG. 3

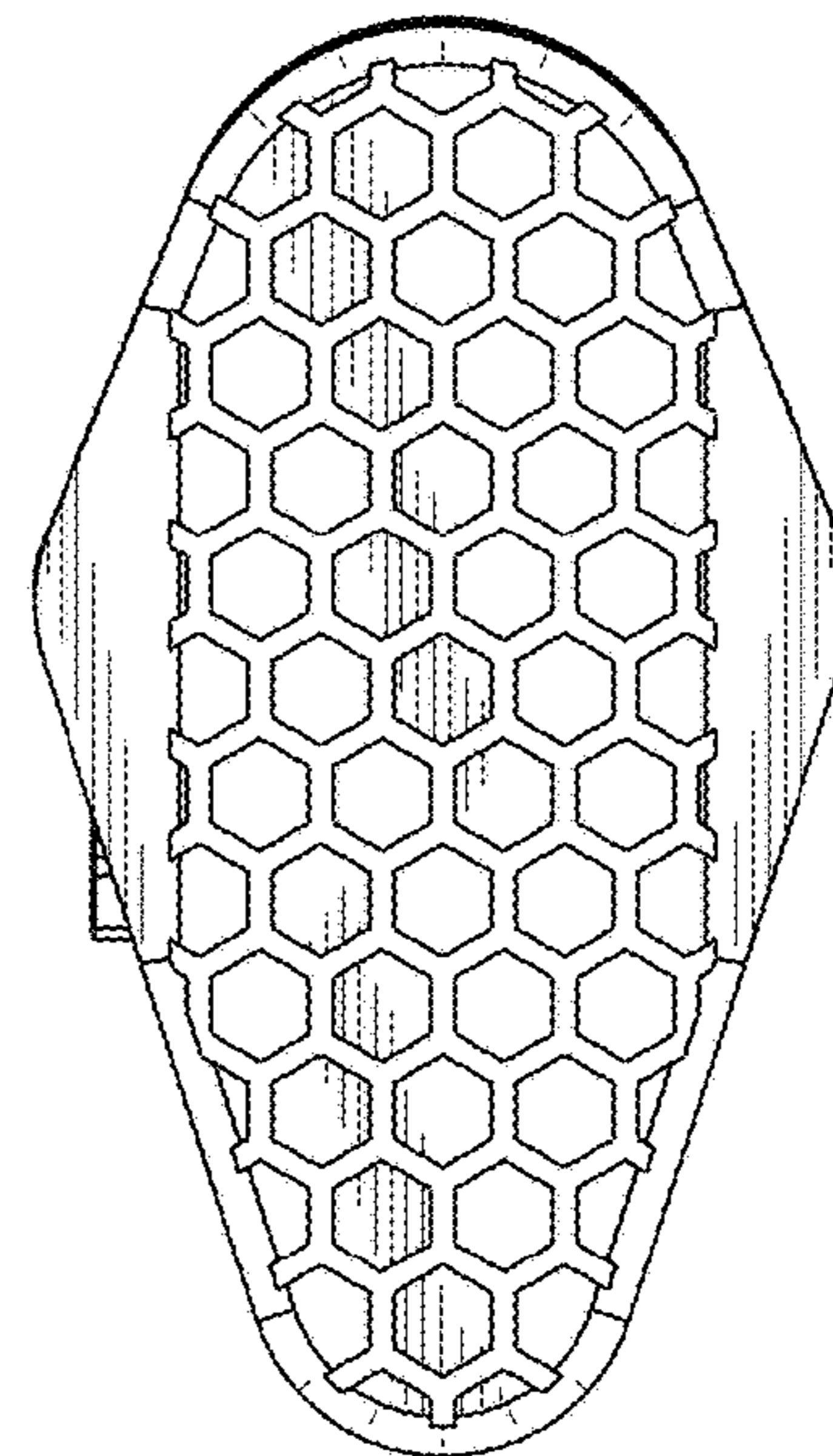


FIG. 4

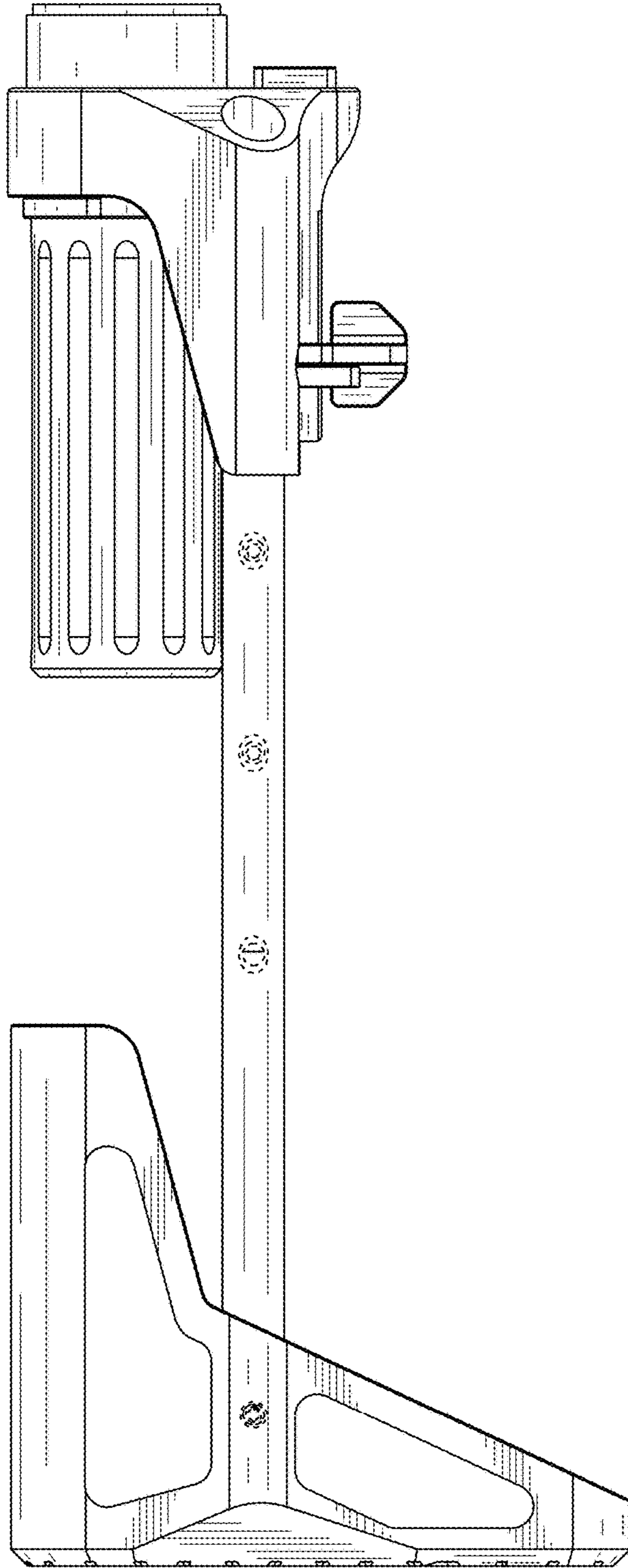


FIG. 5

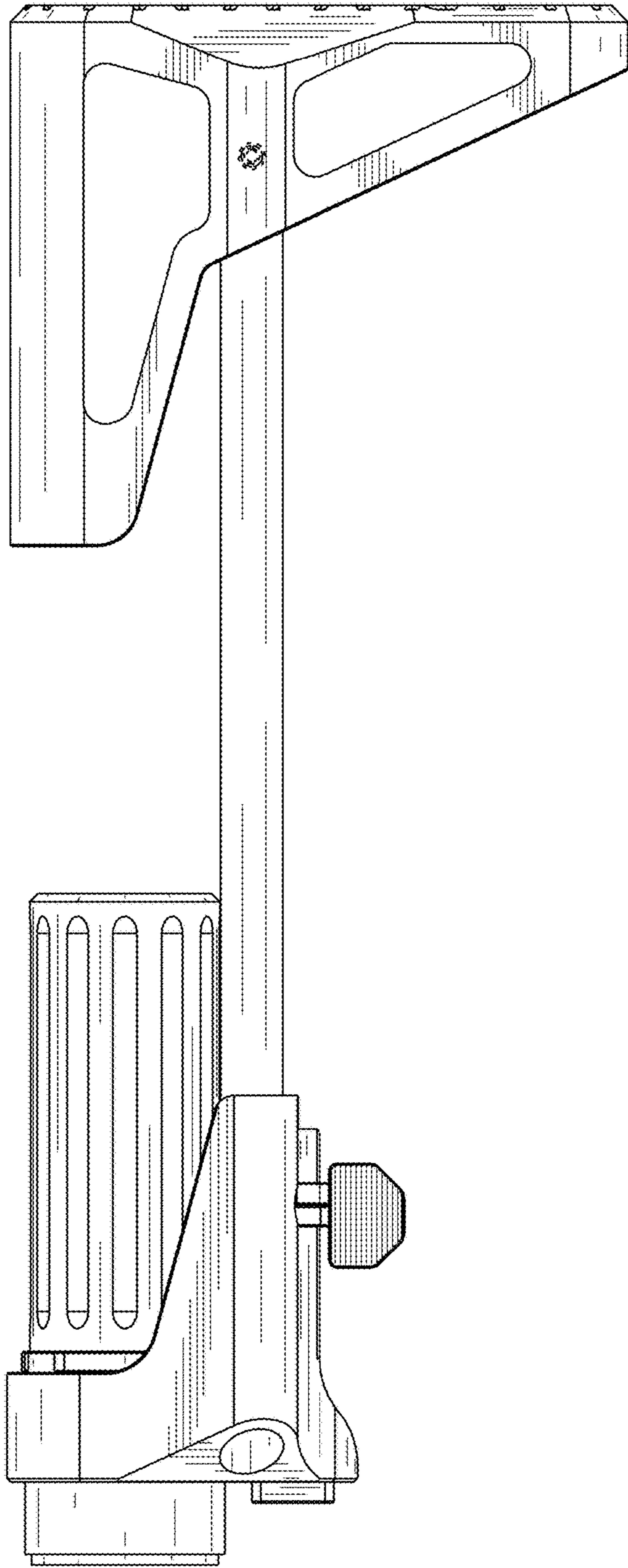


FIG. 6

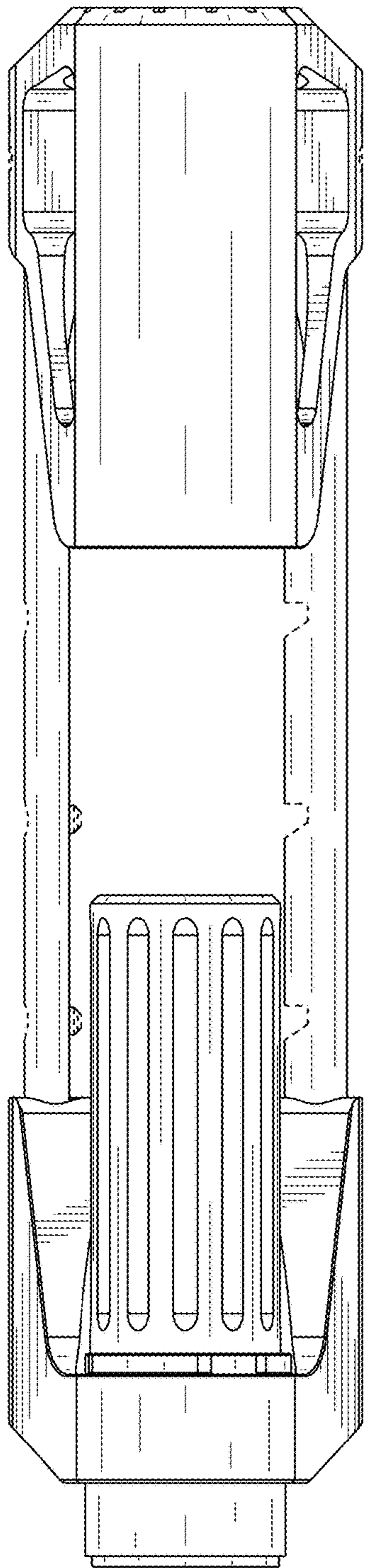
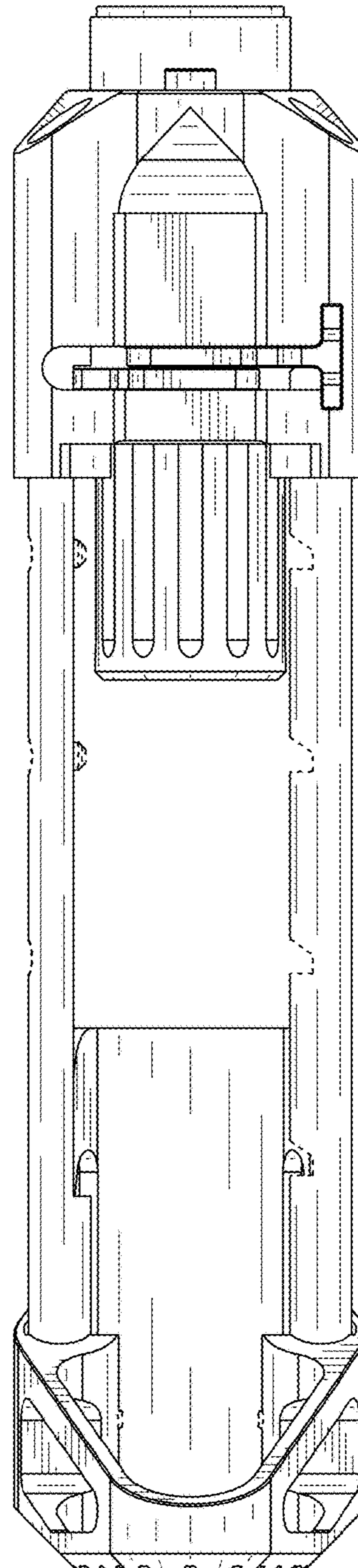
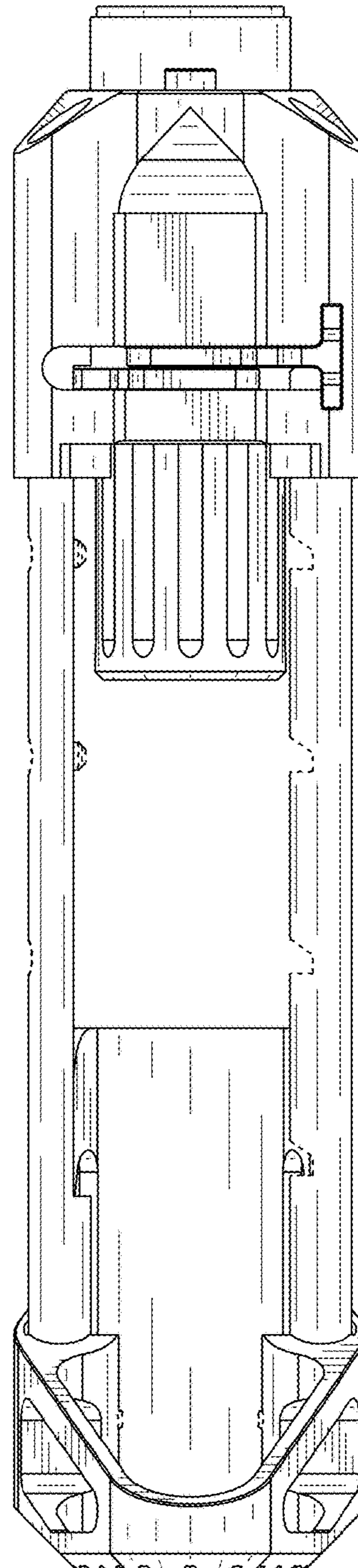


FIG. 7

FIG. 8



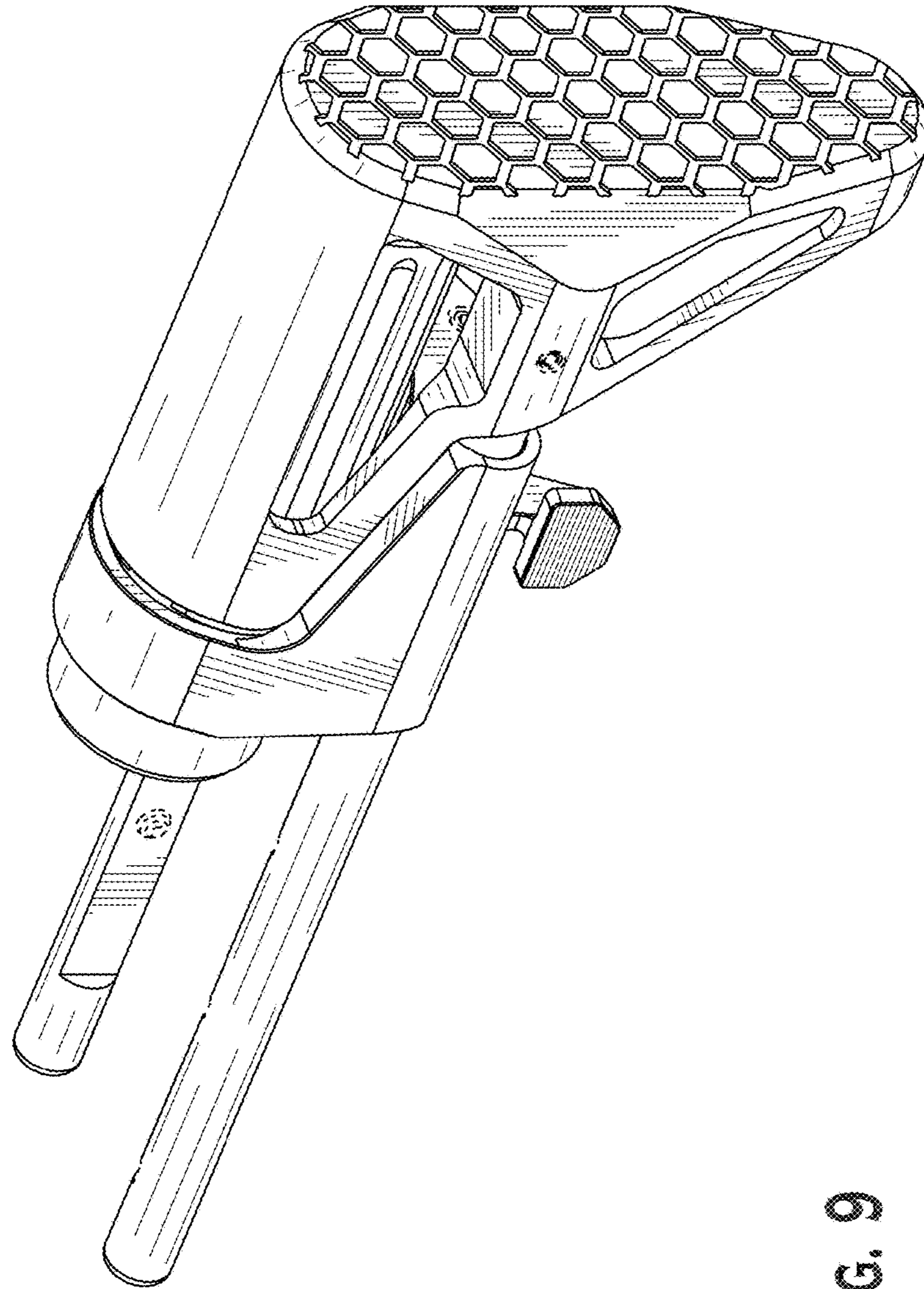


FIG. 9

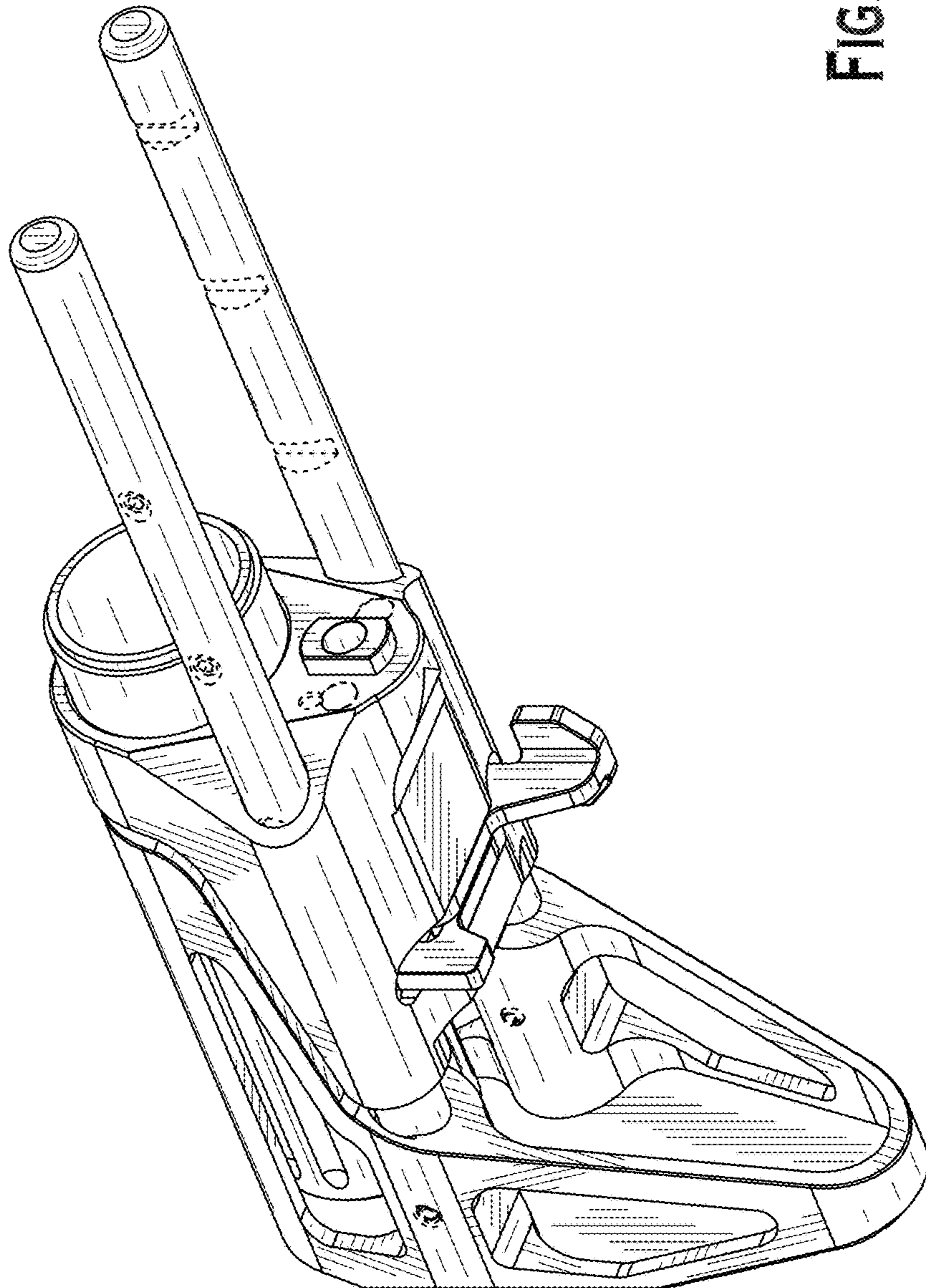


FIG. 10

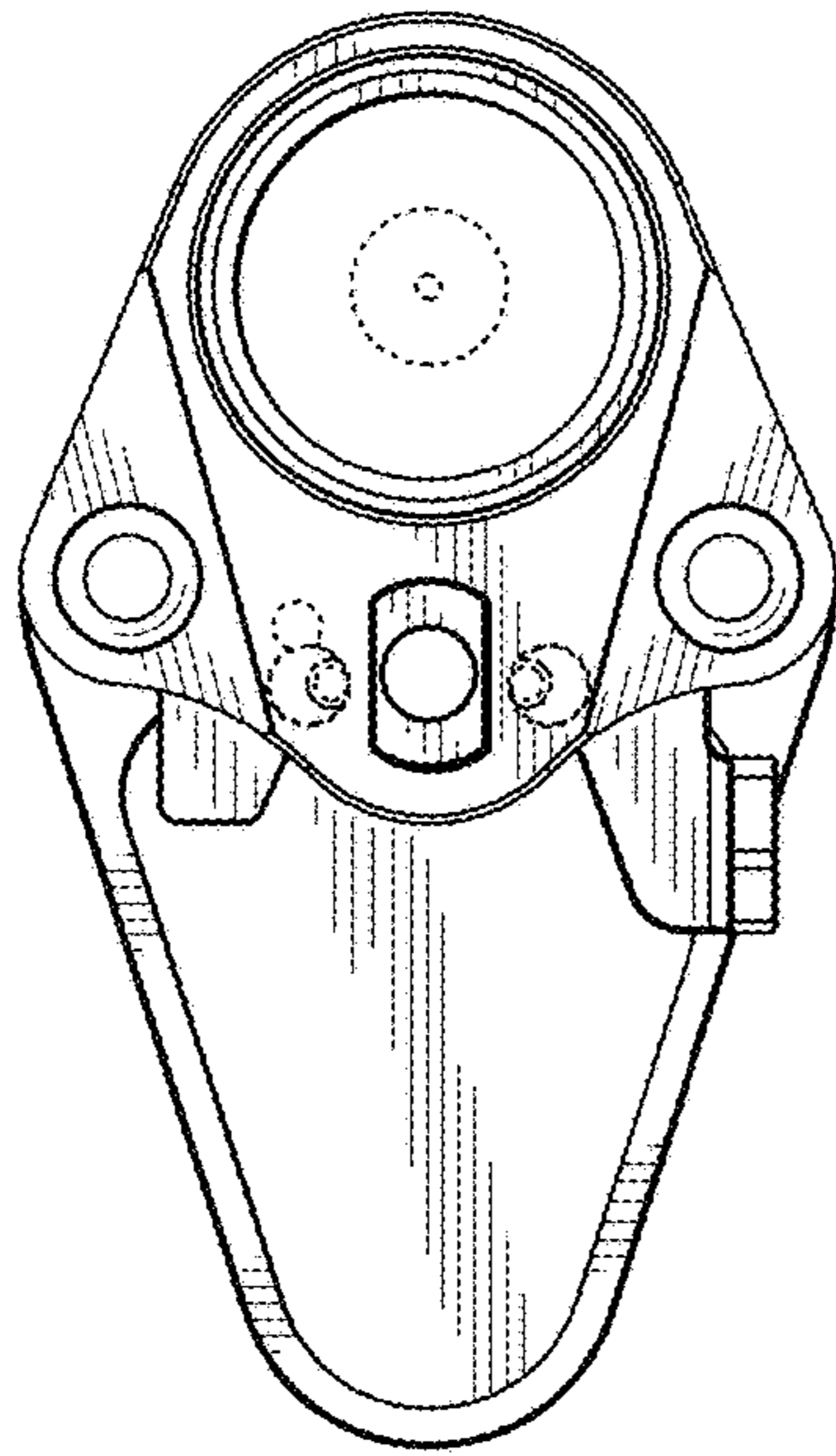


FIG. 11

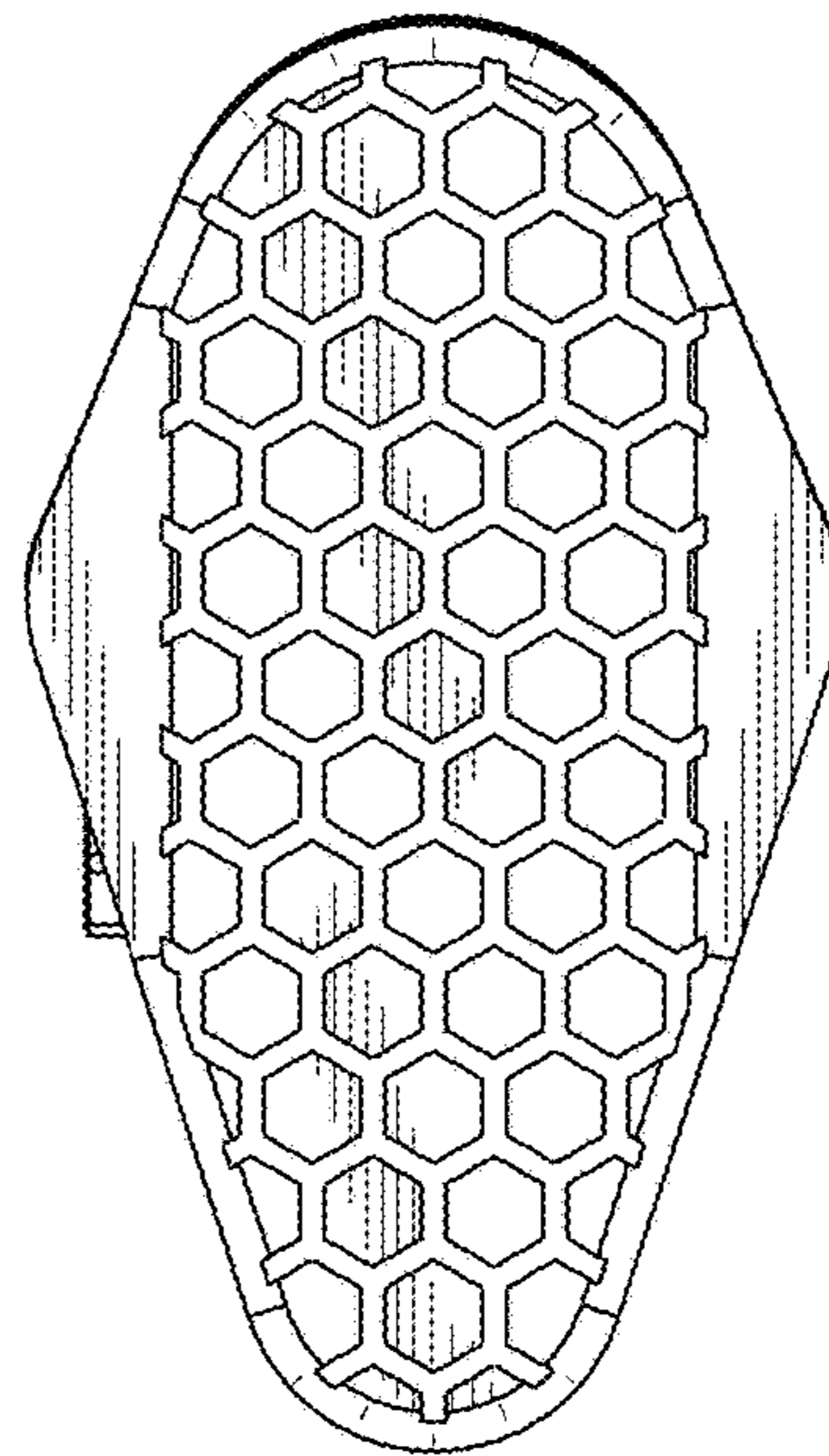


FIG. 12

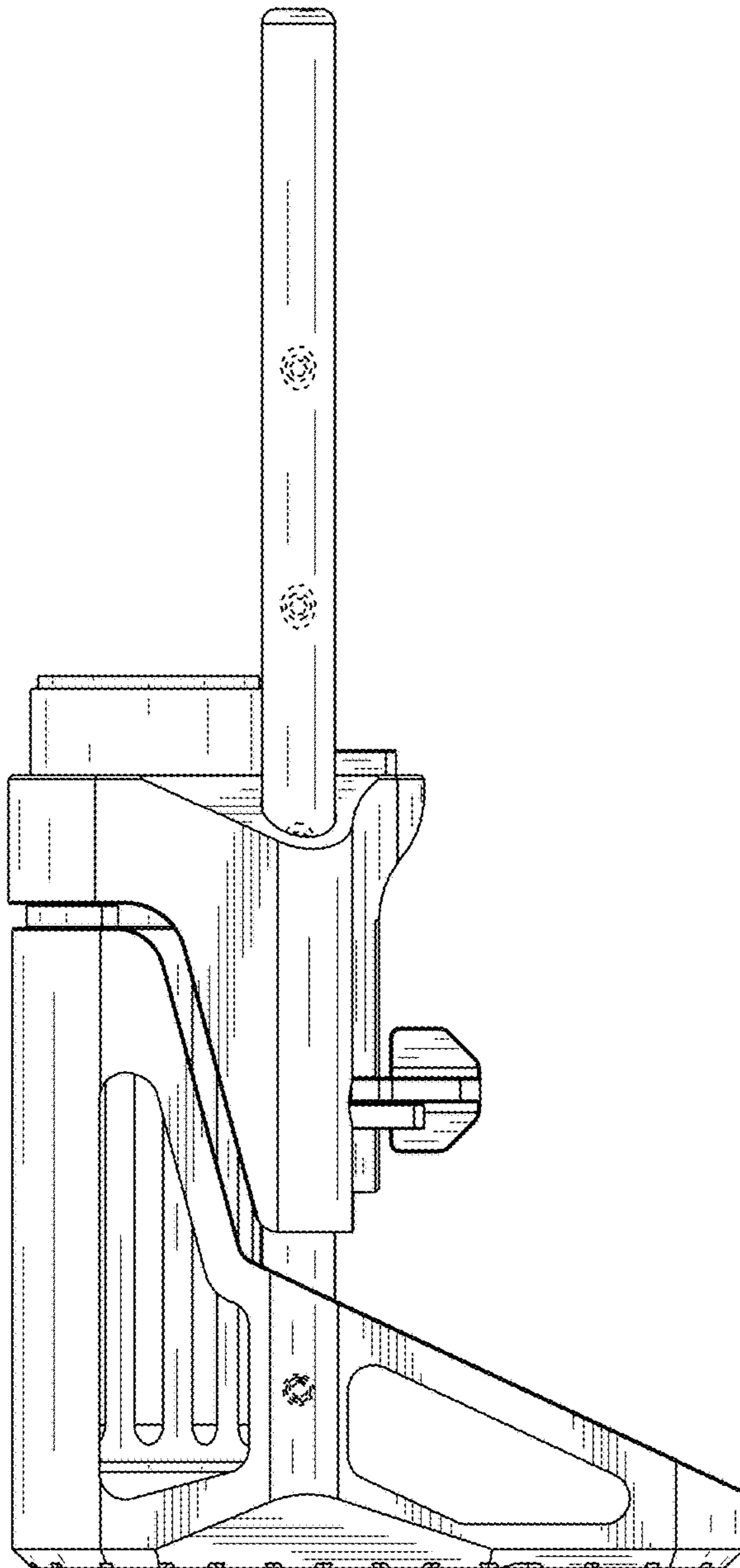


FIG. 13

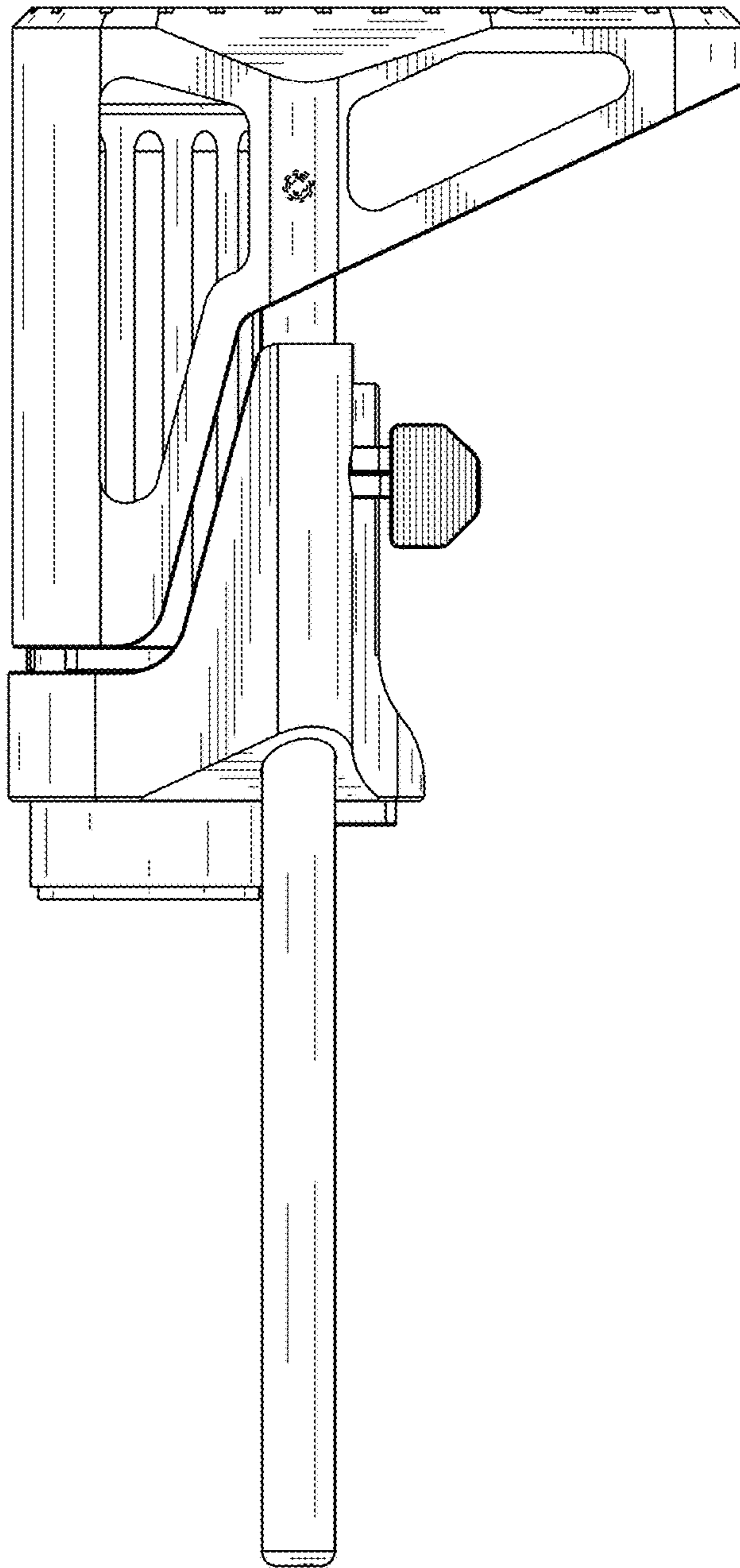


FIG. 14

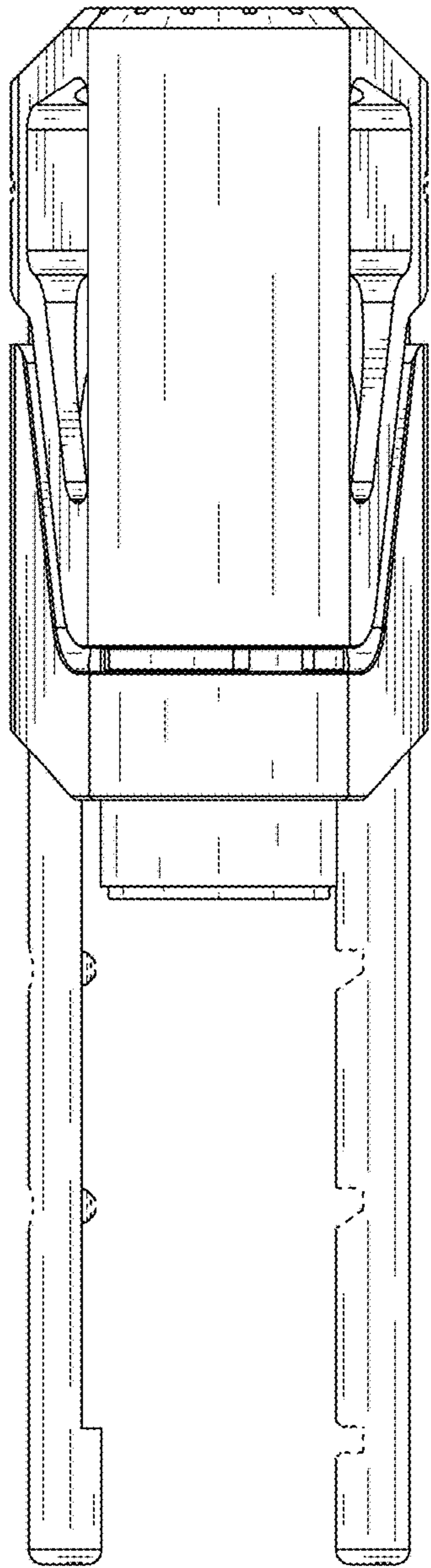


FIG. 15

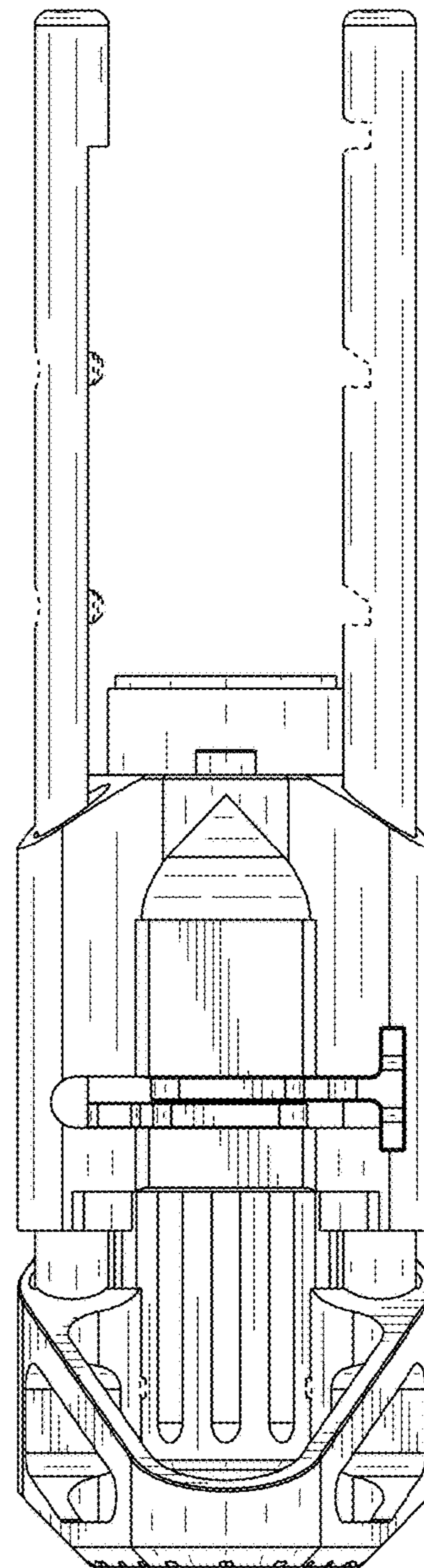


FIG. 16