



US00D865896S

(12) **United States Design Patent** (10) **Patent No.:** **US D865,896 S**  
**Liggett et al.** (45) **Date of Patent:** **\*\* Nov. 5, 2019**

(54) **ELEMENT FOR A CHALLENGE COURSE**  
(71) Applicant: **Ropes Courses, Inc.**, Allegan, MI (US)  
(72) Inventors: **James Allen Liggett**, Allegan, MI (US);  
**Caitlin Marie McMahan**, Allegan, MI (US); **Sean Raymond Horihan**,  
Allegan, MI (US)  
(73) Assignee: **ROPES COURSES, INC.**, Allegan, MI (US)  
(\*\*) Term: **15 Years**  
(21) Appl. No.: **29/644,365**  
(22) Filed: **Apr. 17, 2018**  
(51) **LOC (12) Cl.** ..... **21-03**  
(52) **U.S. Cl.**  
USPC ..... **D21/826**  
(58) **Field of Classification Search**  
USPC ..... D21/811, 814, 826-827  
CPC ..... A63B 9/00; A63B 2009/002; A63B  
2009/004; A63B 2009/006; A63B 17/00;  
A63B 21/00; A63G 31/00  
See application file for complete search history.

D472,954 S \* 4/2003 Kohler ..... D21/826  
7,175,534 B2 \* 2/2007 Liggett ..... A63G 31/02  
472/136  
7,416,054 B2 8/2008 Liggett  
D615,607 S \* 5/2010 Hwang ..... D21/826  
D620,066 S \* 7/2010 Kohler ..... D21/826  
D632,355 S \* 2/2011 Kohler ..... D21/826  
(Continued)

**OTHER PUBLICATIONS**

Ropes Courses, Inc., 2010 Product Catalog (published Nov. 1, 2010), 20 pages.

(Continued)

*Primary Examiner* — Mitchell I. Siegel  
(74) *Attorney, Agent, or Firm* — Polson Intellectual Property Law, PC; Margaret Polson; Christopher Sylvain

(57) **CLAIM**

The ornamental design for element for a challenge course, as shown and described.

**DESCRIPTION**

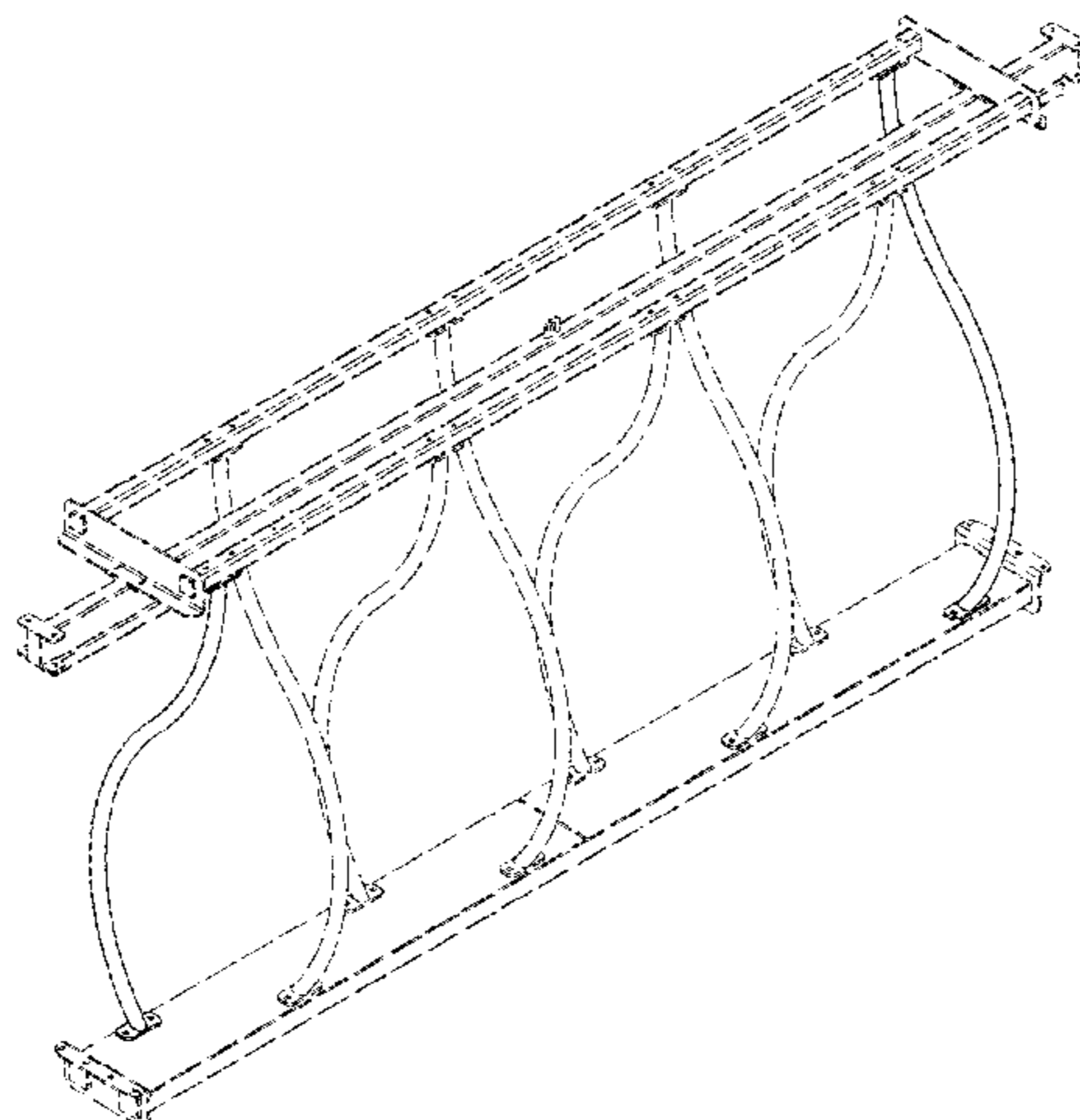
FIG. 1 is a front side elevation view of our new design for a challenge course  
FIG. 2 is a bottom plan view of FIG. 1.  
FIG. 3 is a top plan view of FIG. 1.  
FIG. 4 is a back side elevation view of FIG. 1.  
FIG. 5 is a left side elevation view of FIG. 1  
FIG. 6 is a right side elevation view of FIG. 1.  
FIG. 7 is a front top isometric view of FIG. 1; and,  
FIG. 8 is a front side elevation view of FIG. 1 with support structure shown and disclaimed for illustrative purposes only; the support structure does not form part of the claimed design.  
The broken line showing is included for the purpose of illustrating unclaimed subject matter and forms no part of the claimed design.

**1 Claim, 8 Drawing Sheets**

(56) **References Cited**

**U.S. PATENT DOCUMENTS**

1,779,903 A \* 10/1930 Daragon ..... A63B 9/00  
482/23  
2,365,117 A 12/1944 Stafford et al.  
3,211,452 A 10/1965 Ahrens  
3,563,539 A 2/1971 Rogers et al.  
5,468,199 A 11/1995 Keeler et al.  
5,820,471 A \* 10/1998 Briggs ..... A63B 9/00  
472/128  
5,853,332 A \* 12/1998 Briggs ..... A63B 9/00  
472/128  
5,865,680 A \* 2/1999 Briggs ..... A63B 9/00  
472/128  
6,443,849 B1 \* 9/2002 Byrd ..... A63B 9/00  
472/116



(56)

References Cited

U.S. PATENT DOCUMENTS

7,981,004 B2 \* 7/2011 Liggett ..... A63G 31/02  
482/33  
8,016,686 B2 \* 9/2011 Liggett ..... A63G 33/00  
182/36  
8,066,578 B2 11/2011 Liggett  
8,360,937 B2 1/2013 Liggett  
8,683,925 B2 4/2014 Liggett  
8,752,668 B2 6/2014 Liggett et al.  
8,807,044 B2 8/2014 Liggett et al.  
D714,412 S \* 9/2014 Astle ..... D21/814  
8,893,852 B2 11/2014 Liggett  
D794,144 S \* 8/2017 Abelbeck ..... D21/686  
9,782,682 B2 10/2017 Frankowski et al.  
D807,978 S \* 1/2018 Keller ..... D21/814  
9,884,633 B2 2/2018 Horihan  
D814,589 S \* 4/2018 Eroglu ..... D21/826  
D825,703 S \* 8/2018 Eroglu ..... D21/826  
10,105,564 B2 \* 10/2018 Garland ..... A63B 9/00  
D833,557 S \* 11/2018 Jeffrey ..... D21/814  
2007/0191123 A1 \* 8/2007 Liggett ..... A63G 31/02  
472/15  
2012/0083350 A1 \* 4/2012 Frankowski ..... A63G 31/00  
472/128  
2015/0141205 A1 \* 5/2015 Garland ..... A63B 4/00  
482/35

2016/0272225 A1 9/2016 Liggett et al.  
2016/0319492 A1 11/2016 Horihan  
2017/0036123 A1 \* 2/2017 Liggett ..... B61B 3/00  
2017/0173378 A1 6/2017 Garland  
2018/0154909 A1 6/2018 Horihan

OTHER PUBLICATIONS

Ropes Courses, Inc., 2012 Product Catalog (published Nov. 1, 2012), 56 pages.  
Ropes Courses, Inc., 2014 Product Catalog (published Nov. 1, 2014), 56 pages.  
Ropes Courses, Inc., 2015 Product Catalog (published Feb. 1, 2015), 60 pages.  
Ropes Courses, Inc., 2016 Product Catalog (published Aug. 1, 2016), 72 pages.  
Ropes Courses, Inc., 2017 Product Catalog (published Aug. 1, 2017), 48 pages.  
Walltopia, "Product Catalogue" (retrieved Mar. 24, 2017), 104 pages.  
Walltopia, "Adventure" Project Guide (retrieved Mar. 24, 2017), 119 pages.  
Walltopia, "Ropetopia" Brochure (retrieved Nov. 1, 2017), 8 pages.  
Kristallturm, "High Rope Courses" Brochure (retrieved Nov. 1, 2017), 66 pages.

\* cited by examiner

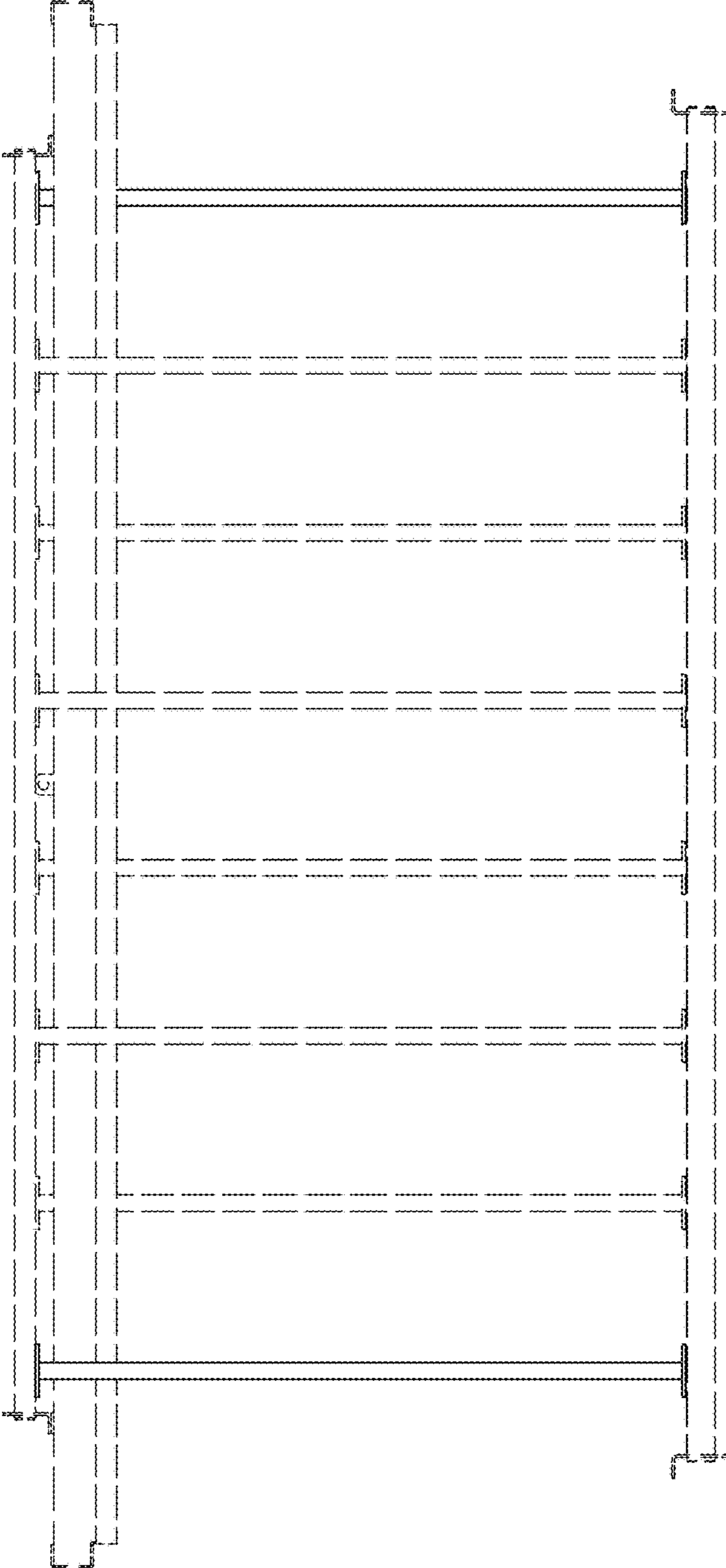


FIG. 1

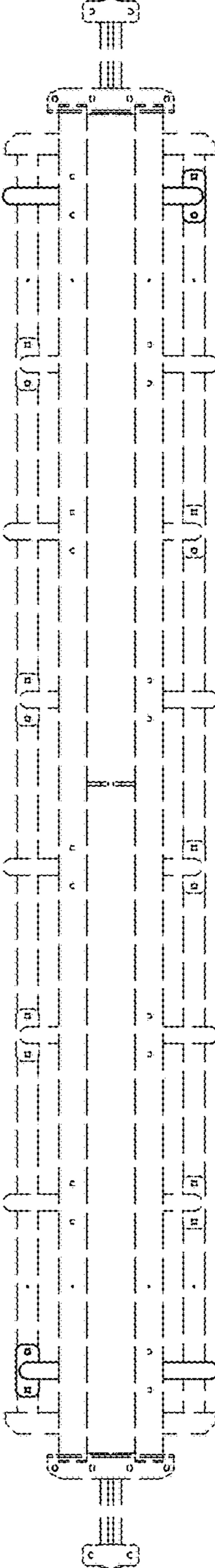


FIG. 2

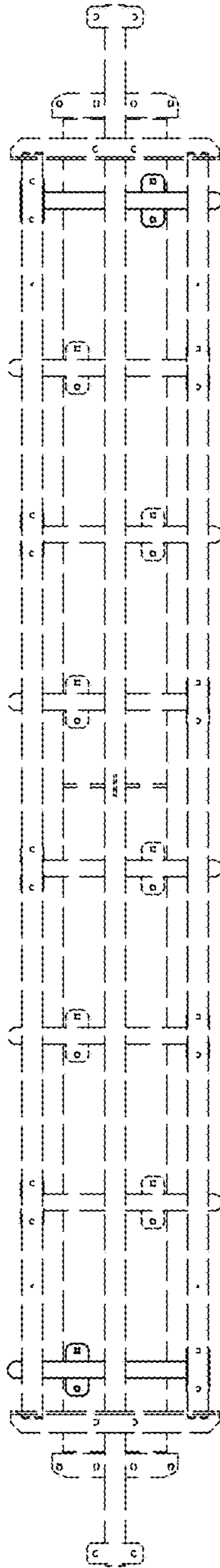


FIG. 3

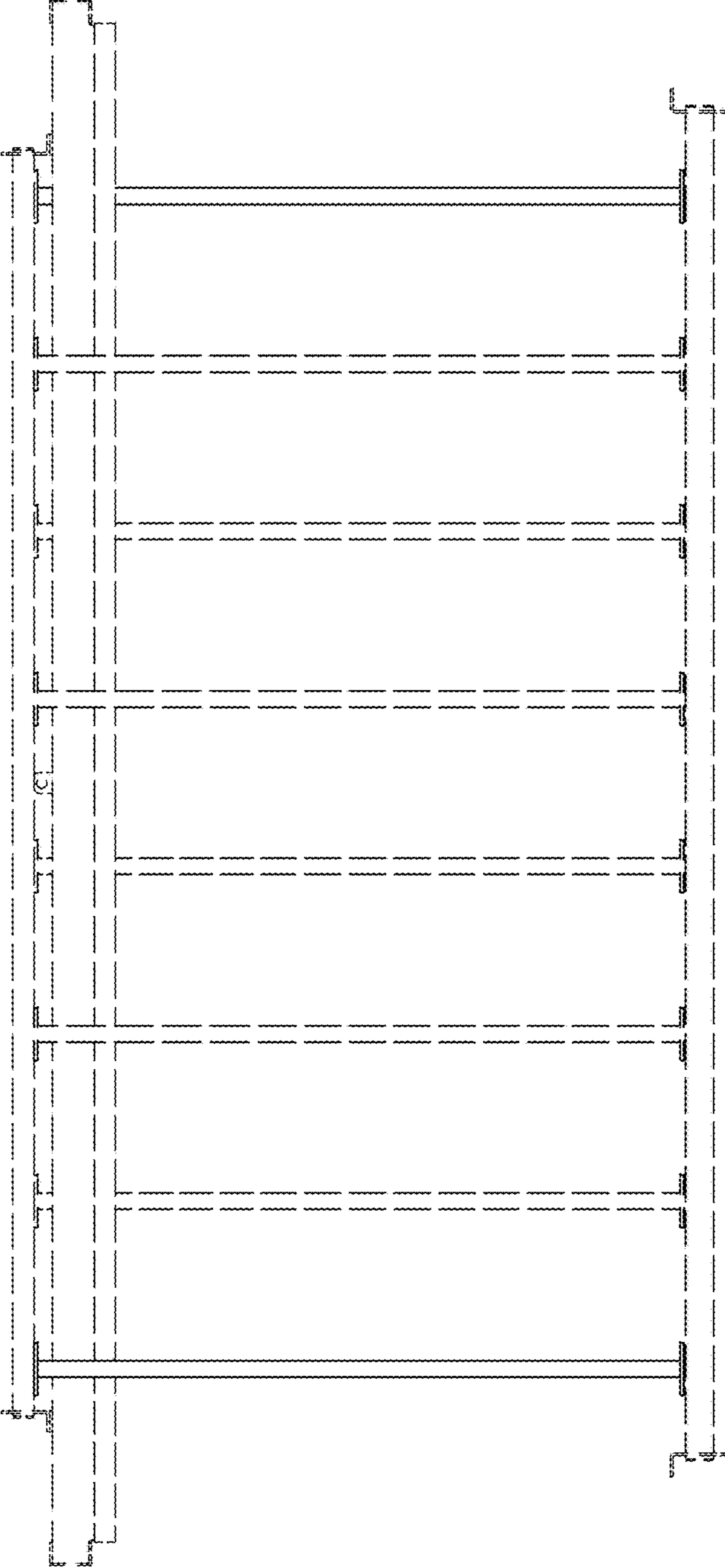


FIG. 4

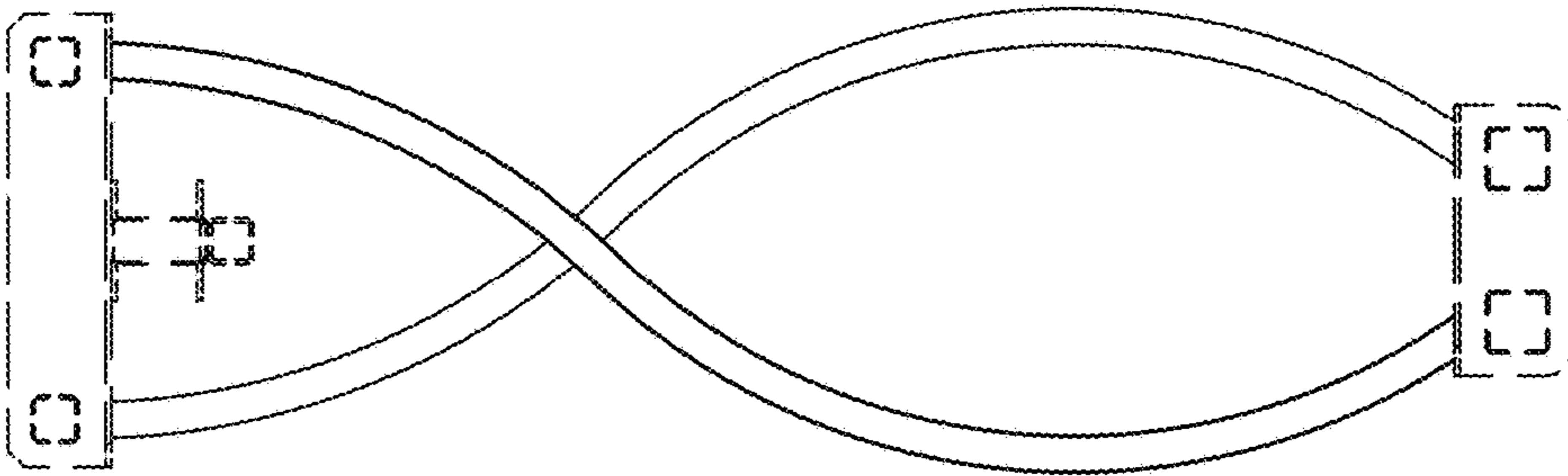


FIG. 5

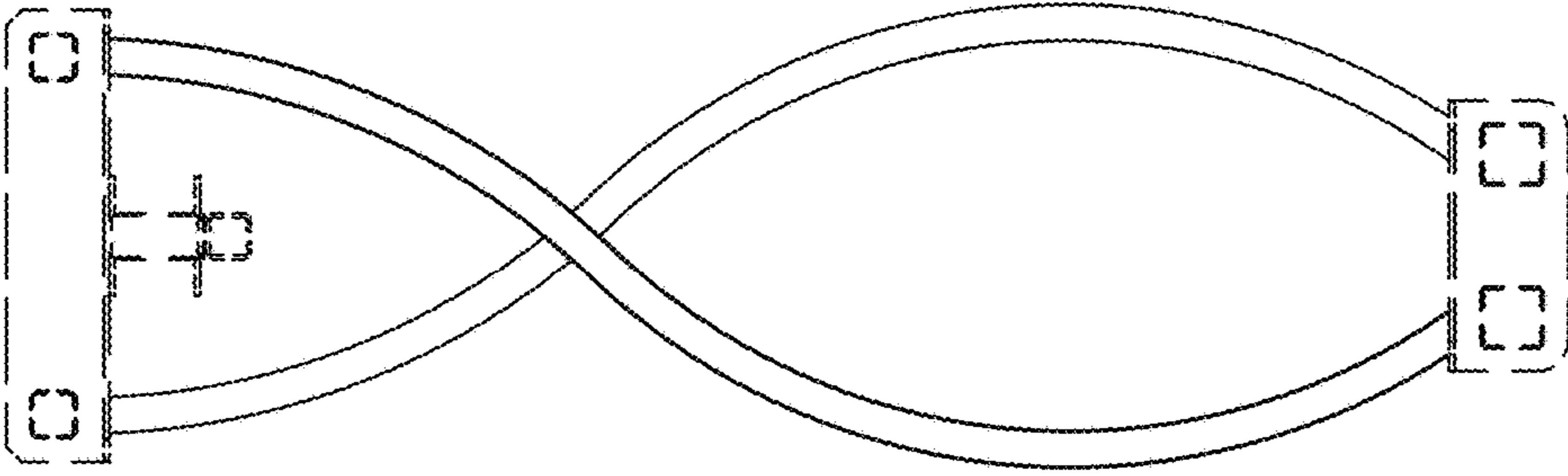


FIG. 6



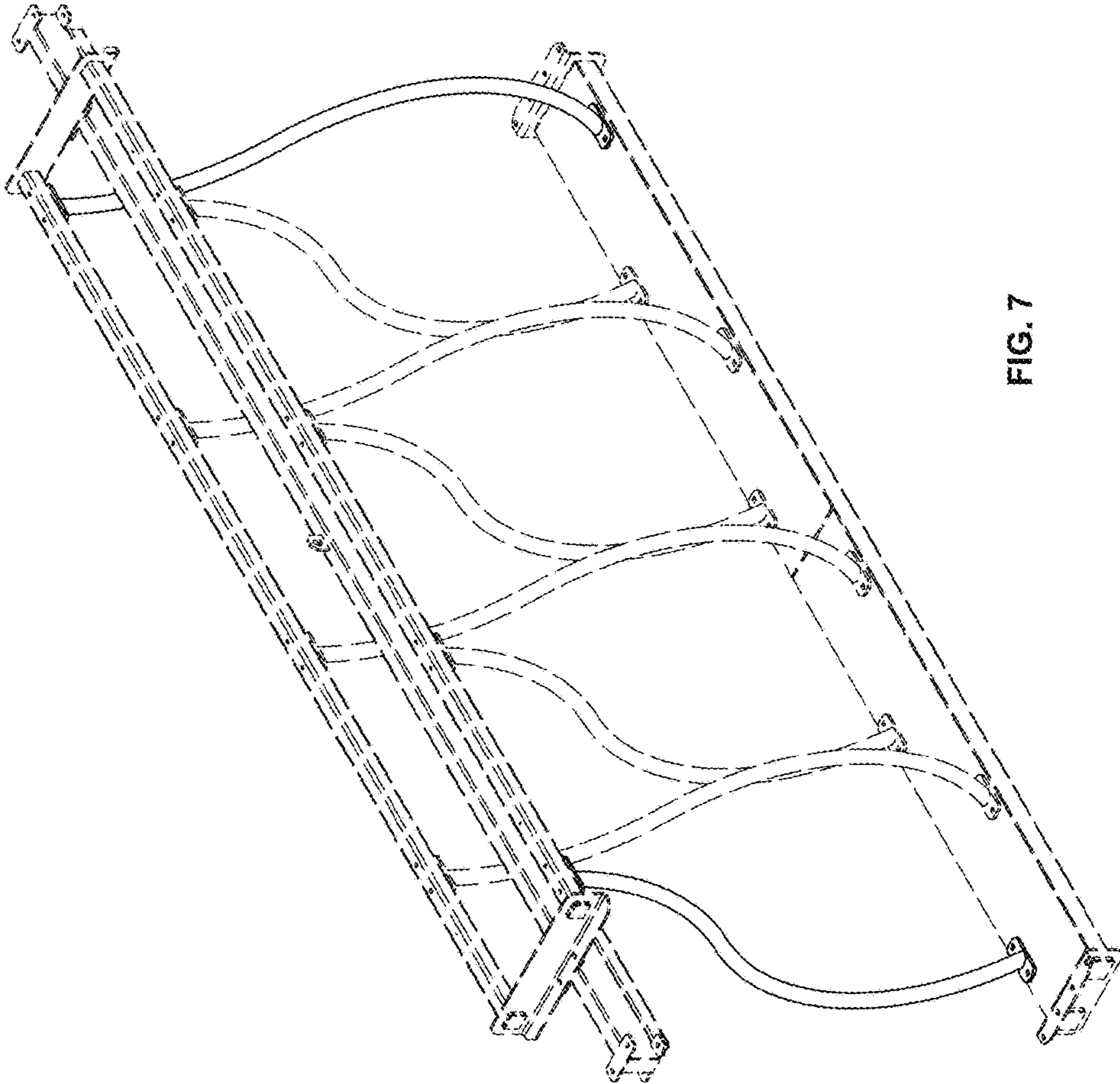


FIG. 7

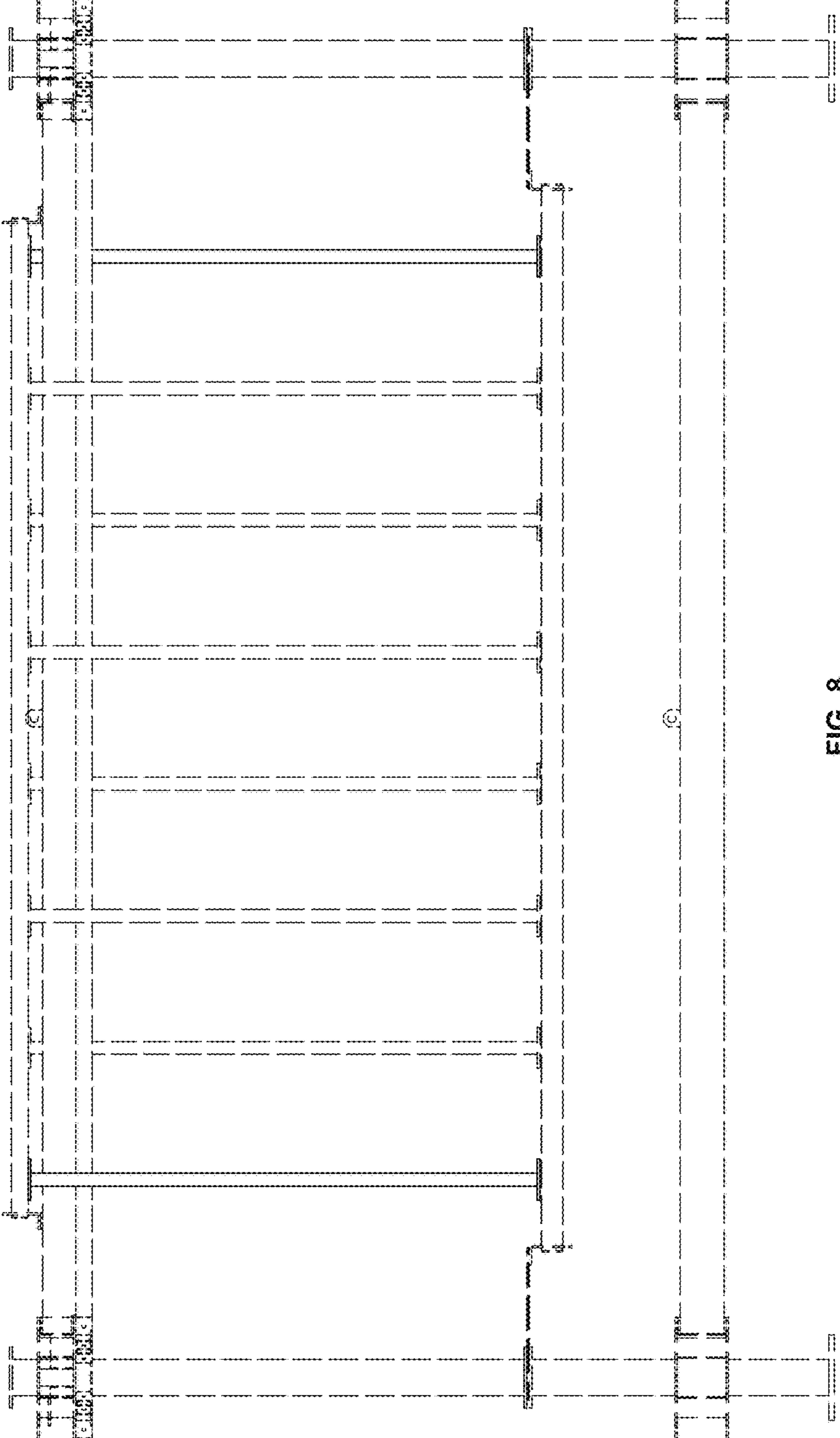


FIG. 8